



US00D947050S

(12) **United States Design Patent**
West et al.

(10) **Patent No.:** **US D947,050 S**
(45) **Date of Patent:** **** Mar. 29, 2022**

(54) **TIRE SENSOR CONTAINER**

(71) Applicant: **The Goodyear Tire & Rubber Company, Akron, OH (US)**

(72) Inventors: **Jeffrey McKay West**, Uniontown, OH (US); **Arun Kumar Byatarayanapura Gopala**, Copley, OH (US); **Michael William Kestner**, Canton, OH (US); **Junling Zhao**, Hudson, OH (US); **Peter Jung-min Suh**, Stow, OH (US)

(73) Assignee: **The Goodyear Tire & Rubber Company, Akron, OH (US)**

(**) Term: **15 Years**

(21) Appl. No.: **29/762,103**

(22) Filed: **Dec. 15, 2020**

(51) **LOC (13) Cl.** **10-04**

(52) **U.S. Cl.**
USPC **D10/86**

(58) **Field of Classification Search**
USPC D10/81-86, 94-103
CPC B60C 23/0491; B60C 23/0452; B60C 23/0493; B60C 23/04; B60C 23/02; H01Q 1/2241; H01Q 7/00; Y10T 152/10; B29D 2030/0077; G01L 19/142; G01L 19/16; G01L 7/043; G01L 17/00; G01B 3/28; G01B 5/18

See application file for complete search history.

(56) **References Cited**

U.S. PATENT DOCUMENTS

D57,900 S * 5/1921 Grebe D8/312
3,787,806 A 1/1974 Church
D366,845 S * 2/1996 Handfield D10/83
5,971,046 A 10/1999 Koch et al.
6,030,478 A 2/2000 Koch et al.
6,443,198 B1 9/2002 Koch et al.
6,444,069 B1 9/2002 Koch et al.

6,546,982 B1 4/2003 Brown et al.
6,581,657 B1 6/2003 Brown
6,885,291 B1 4/2005 Pollack et al.
6,899,153 B1 5/2005 Pollack et al.
D567,126 S * 4/2008 Zheng D10/86
8,336,588 B2 12/2012 Koch

(Continued)

FOREIGN PATENT DOCUMENTS

CN 303255418 * 11/2014
CN 303490495 * 12/2015

(Continued)

OTHER PUBLICATIONS

Cap Art, Tire Valve Stem Caps for TPMS Sensor, Date first available Mar. 17, 2020, [online]retrieved Nov. 15, 2021,available from https://www.amazon.com/Original-Plastic-Replacement-Service-Universal/dp/B084KT2FLY/ref=sr_1_8?keywords=tire%2Bsensor%2Bcover&qid=1636990633&qsid=134-5564337-2927451&s=automo (Year: 2020).*

(Continued)

Primary Examiner — Keli L Hill

Assistant Examiner — Sara S Sahneh

(74) *Attorney, Agent, or Firm* — Robert N. Lipsik

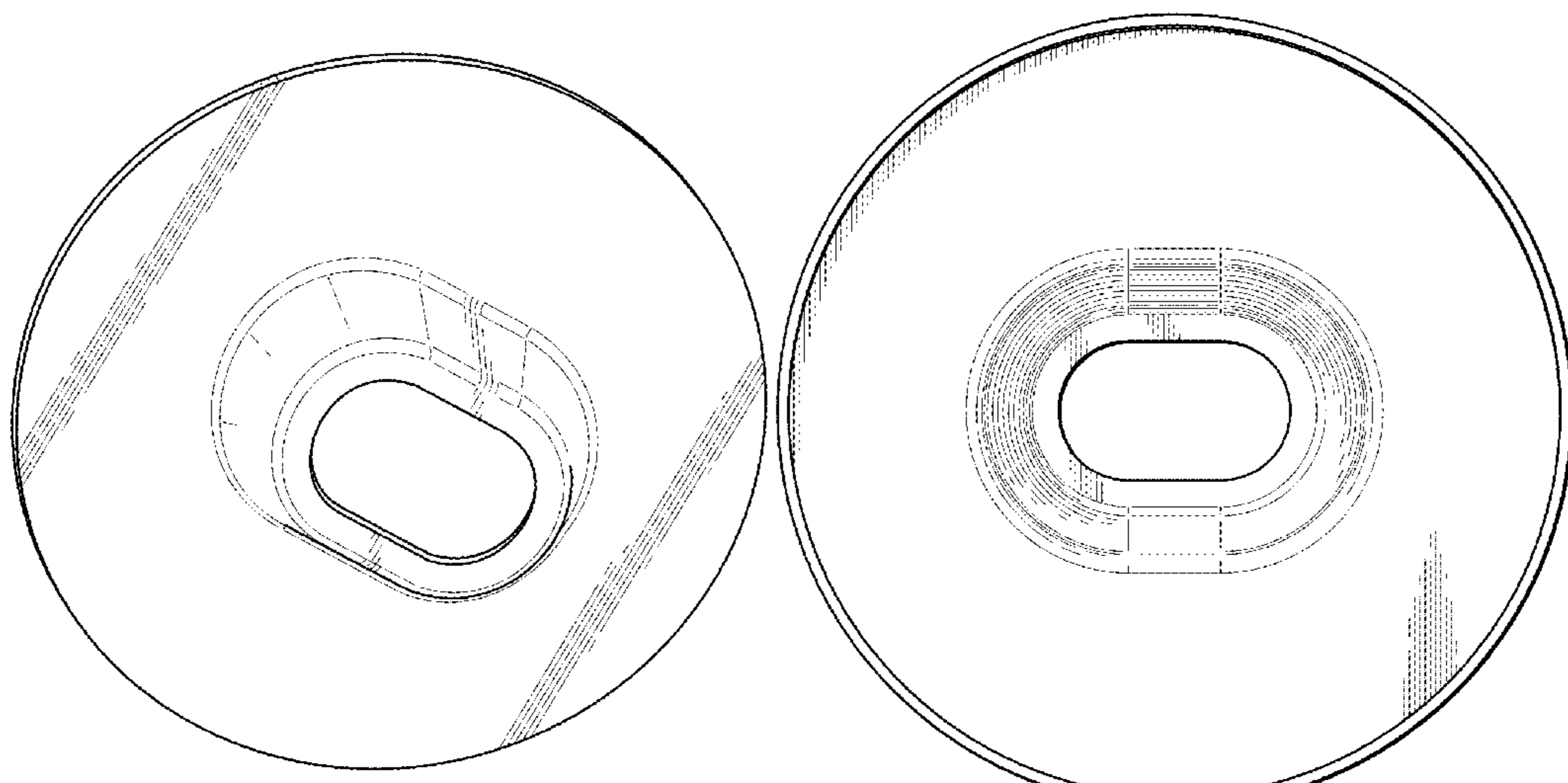
(57) **CLAIM**

The ornamental design for a tire sensor container, as shown and described.

DESCRIPTION

FIG. 1 is a bottom perspective view of a tire sensor container showing our new design;
FIG. 2 is a front elevational view thereof; the rear elevational view being a mirror image thereof;
FIG. 3 is a right side elevational view thereof; the left side elevational view being a mirror image thereof;
FIG. 4 is a bottom plan view thereof; and,
FIG. 5 is a top plan view thereof.

1 Claim, 4 Drawing Sheets



(56)

References Cited

U.S. PATENT DOCUMENTS

8,596,117 B2 12/2013 Wilson et al.
 9,016,118 B2 4/2015 Townsend et al.
 D775,987 S * 1/2017 Sheridan D10/81
 D827,151 S * 8/2018 Nakagawa D24/224
 10,434,828 B2 10/2019 Wilson et al.
 10,811,590 B1 10/2020 Pedmo et al.
 2015/0020585 A1 * 1/2015 Dussinger B60C 23/0411
 73/146.5
 2016/0023523 A1 * 1/2016 Palacios B60C 23/0496
 73/146.8
 2018/0154708 A1 * 6/2018 Yang G01M 17/02
 2019/0285178 A1 * 9/2019 Pusheck B60C 23/0408
 2020/0055354 A1 * 2/2020 Barjon B60C 23/0493
 2020/0130433 A1 * 4/2020 Stewart H01Q 7/00
 2021/0070117 A1 * 3/2021 Giannini B60C 23/0493
 2021/0252816 A1 * 8/2021 So B29D 30/0681

FOREIGN PATENT DOCUMENTS

CN 304945178 * 1/2018
 CN 305995605 * 4/2020

CN 305788830 * 5/2020
 CN 305885496 * 6/2020
 GB 9007274626-0002 * 11/2019

OTHER PUBLICATIONS

Tymate Store, Tire Pressure Monitoring System, Date first available Mar. 2, 2020, [online]retrieved Nov. 15, 2021, available from https://www.amazon.com/Tymate-Tire-Pressure-Monitoring-System/dp/B085C2HMQP/ref=sr_1_2_sspa?_encoding=UTF8&c=ts&keywords=Tire+Pressure+Monitoring+Systems+%28TPMS%29&qid=1636992 (Year: 2020).*

Elikliv Store, RV Tire Pressure Monitoring System, Date first available Nov. 4, 2019, [online]retrieved Nov. 15, 2021, available from https://www.amazon.com/Elikliv-Pressure-Monitoring-Real-time-Temperature/dp/B07ZZ2RCX7/ref=psdc_2201764011_t4_B092Z8TQL1 (Year: 2019).*

B-Qtech Store, Solar Power Tire Pressure Monitoring System, Date first available Apr. 29, 2019, [online]retrieved Nov. 15, 2021, available from https://www.amazon.com/dp/B07Q5ZFG4F/ref=sspa_dk_detail_8?pd_rd_i=B07Q5ZFG4F&pd_rd_w=Aw3MN&pf_rd_p=9fd3ea7c-b77c-42ac-b43b-c872d3f37c38&pd_rd_wg=rCJTE&pf_rd_r=B (Year: 2019).*

* cited by examiner

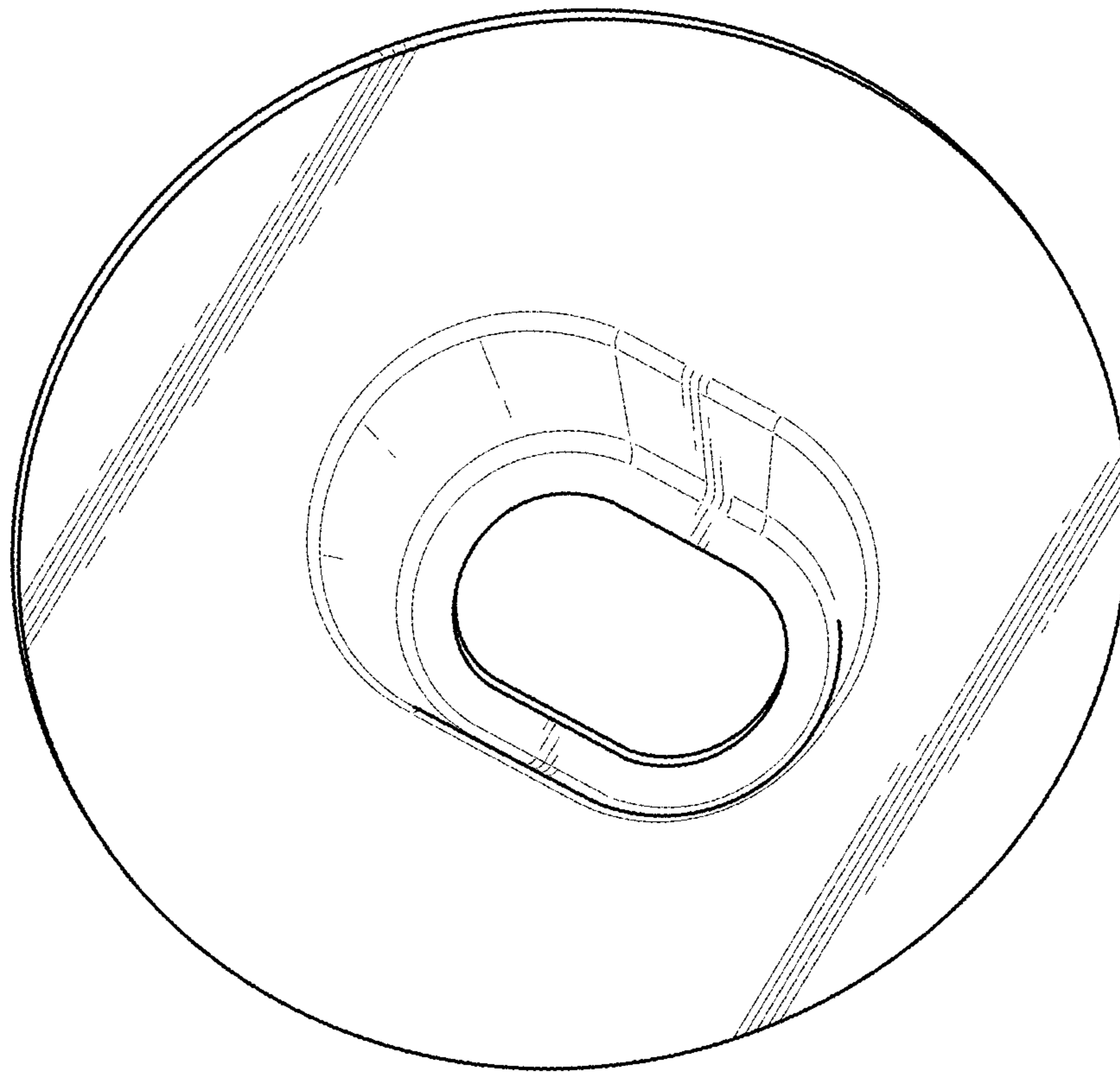


FIG. 1

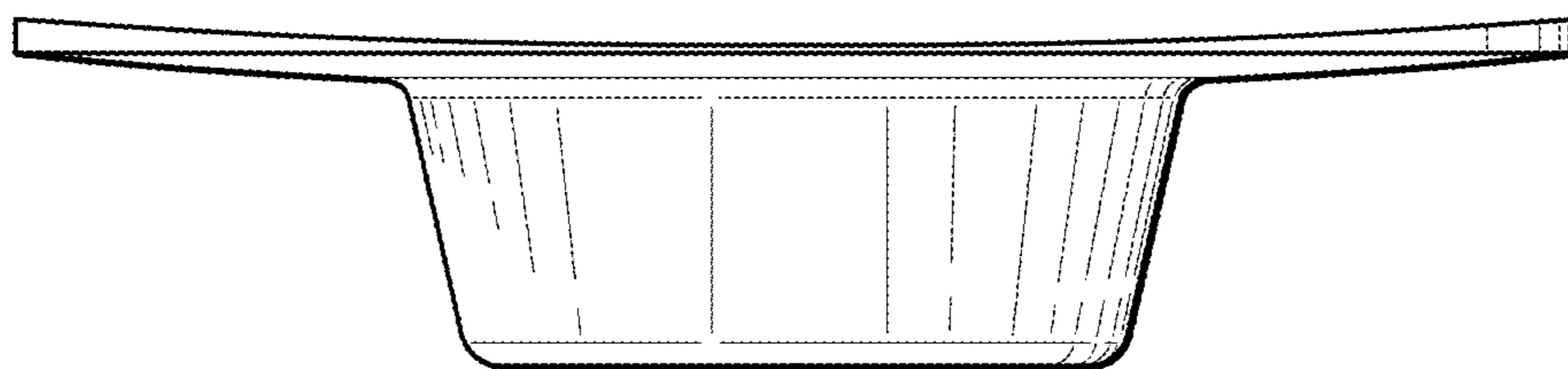


FIG. 2

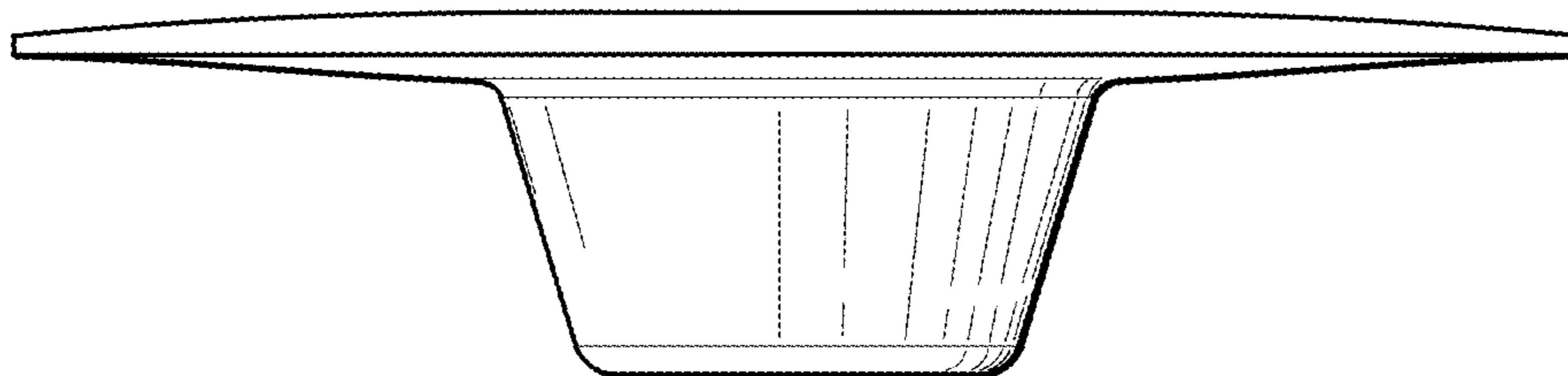


FIG. 3

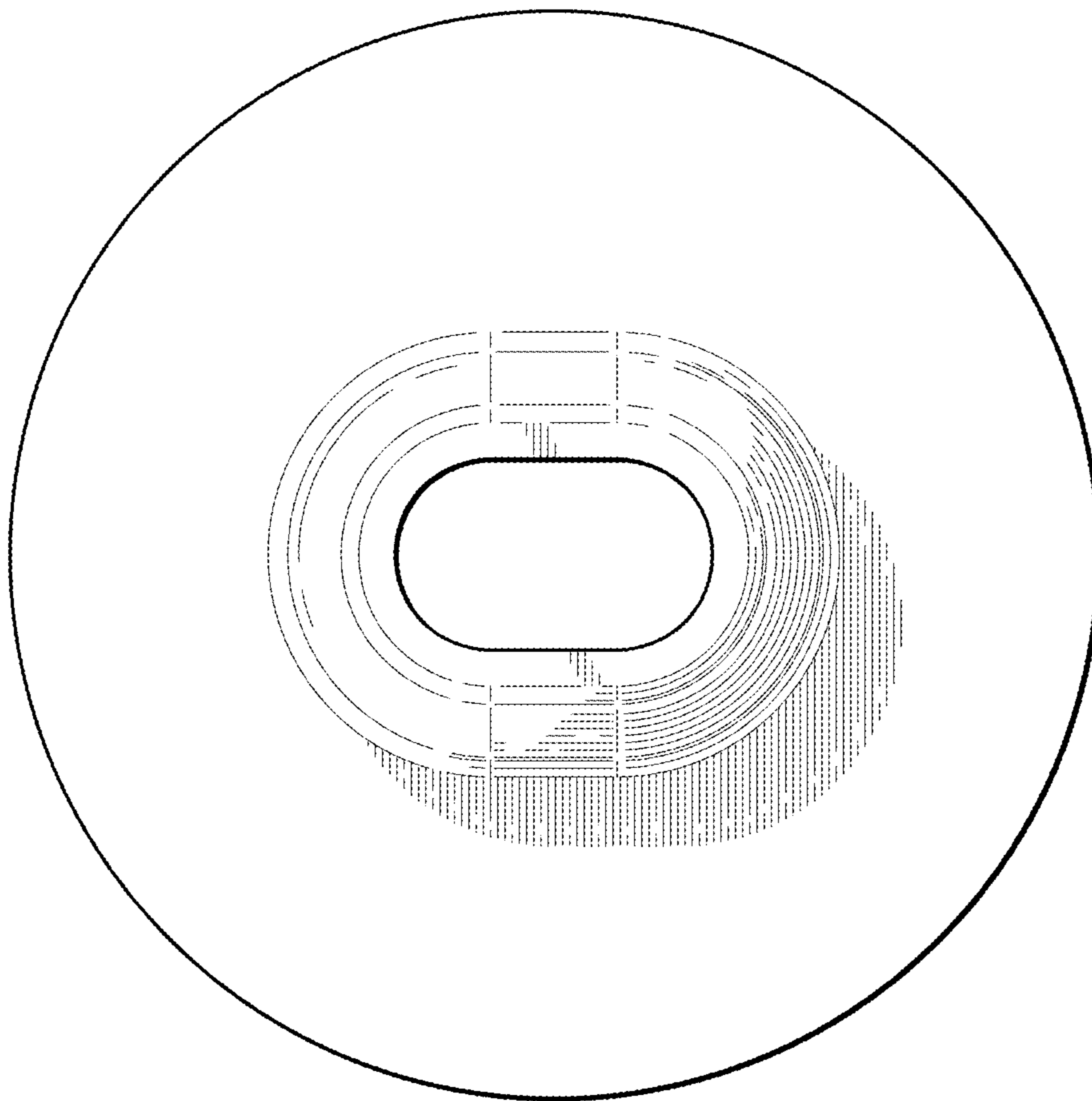


FIG. 4

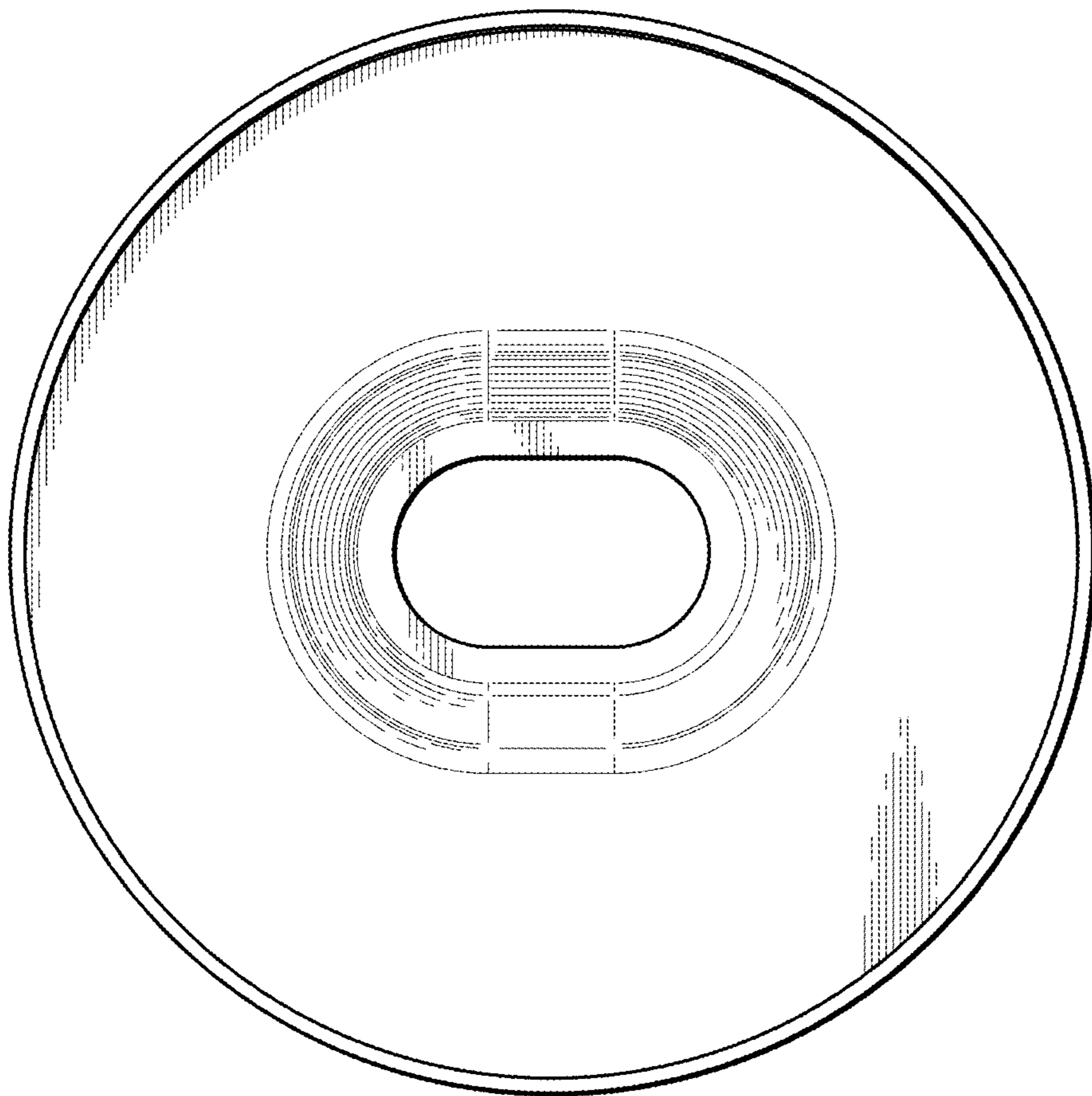


FIG. 5