



US00D947049S

(12) **United States Design Patent**  
**Lan**

(10) **Patent No.:** **US D947,049 S**  
(45) **Date of Patent:** **\*\* Mar. 29, 2022**

(54) **COMBINED SIGNAL DETECTOR AND RECORDER PEN**

(71) Applicant: **Jinhe Lan**, Guangdong (CN)

(72) Inventor: **Jinhe Lan**, Guangdong (CN)

(\*\*) Term: **15 Years**

(21) Appl. No.: **29/720,632**

(22) Filed: **Jan. 15, 2020**

(51) **LOC (13) Cl.** ..... **10-04**

(52) **U.S. Cl.**  
USPC ..... **D10/78; D19/901; D19/905; D19/926; D19/934**

(58) **Field of Classification Search**

USPC ..... D10/75, 78, 104.1; D19/115–204; D14/411; D9/504, 529; D28/76, 88  
CPC ..... G01D 15/16; G06F 3/033; B43K 5/005; B43K 7/12; B43K 8/00; B43K 8/02; B43K 8/04; B43K 8/06; B43K 21/003; B43K 21/006; B43K 21/06; B43K 23/00  
See application file for complete search history.

(56) **References Cited**

**U.S. PATENT DOCUMENTS**

5,668,306 A \* 9/1997 Doherty ..... G01N 15/08 73/38  
5,736,631 A \* 4/1998 Dixon ..... G01N 3/307 73/12.06  
5,886,253 A \* 3/1999 Joustra ..... G01N 3/40 73/84  
D418,073 S \* 12/1999 Kreutzer ..... D10/81  
6,601,440 B1 \* 8/2003 Chuang ..... A01G 25/167 73/73  
6,826,972 B2 \* 12/2004 Clark ..... E02D 1/06 175/59

7,106,076 B2 \* 9/2006 Tillmann ..... G01N 27/043 324/713  
D616,314 S \* 5/2010 Akomolede ..... D10/56  
8,656,759 B2 \* 2/2014 Hughes ..... G01N 3/40 73/81  
D829,574 S \* 10/2018 Mane ..... D10/56  
D852,659 S \* 7/2019 Carr ..... D10/78  
D869,297 S \* 12/2019 Mane ..... D10/56  
D916,290 S \* 4/2021 Loria ..... D24/155  
D917,050 S \* 4/2021 Loria ..... D24/155

**OTHER PUBLICATIONS**

Jepwco G8 Elite RF Detector, from the Jepwco Store, 42 ratings, ASIN: B095BSGGJ1, online on Amazon.com, Date First Available: Jun. 23, 2021.\*

\* cited by examiner

*Primary Examiner* — Elizabeth A. Albert

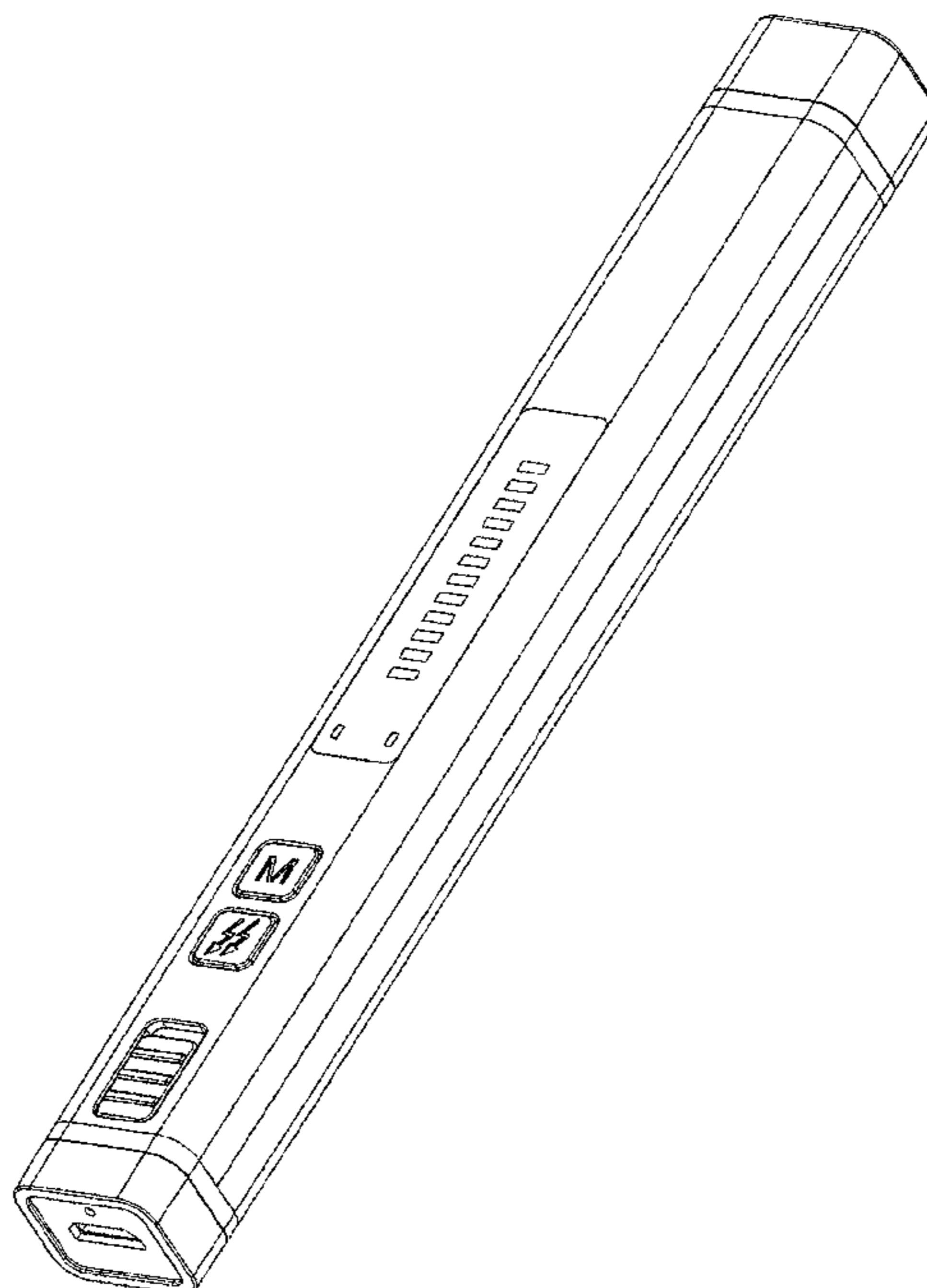
(57) **CLAIM**

The ornamental design for a combined signal detector and recorder pen, as shown.

**DESCRIPTION**

FIG. 1 is a front elevational view of a combined signal detector and recorder pen showing my new design; FIG. 2 is a rear elevational view thereof; FIG. 3 is a left side view thereof; FIG. 4 is a right side view thereof; FIG. 5 is a top plan view thereof; FIG. 6 is a bottom plan view thereof; FIG. 7 is a perspective view thereof; and, FIG. 8 is another perspective view thereof.

**1 Claim, 7 Drawing Sheets**



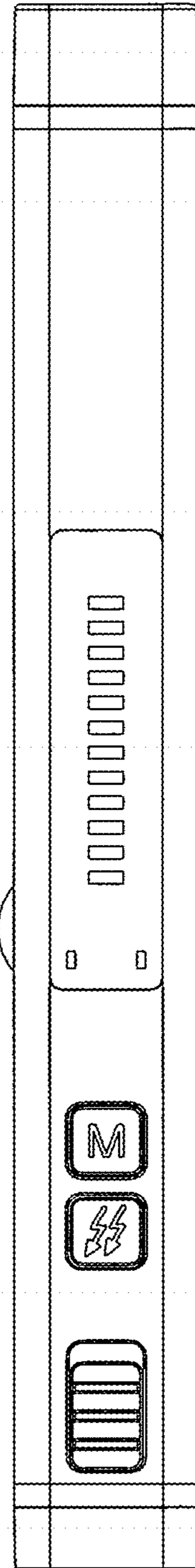


Fig. 1

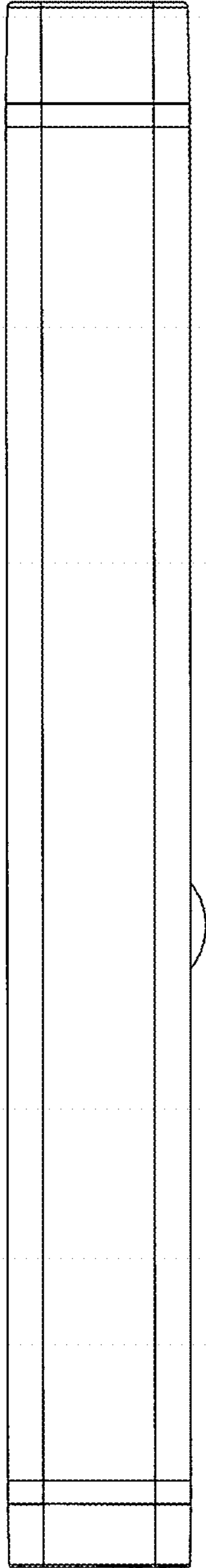


Fig. 2

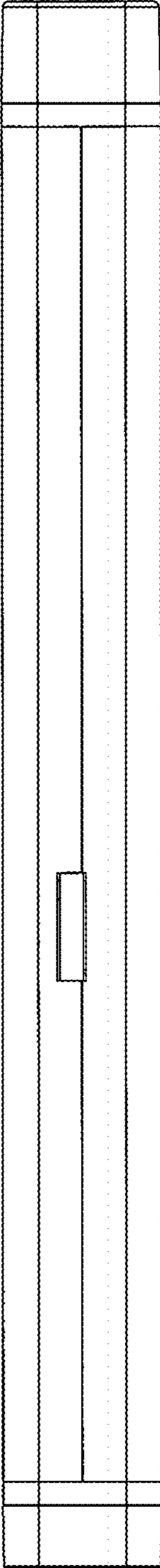


Fig. 3

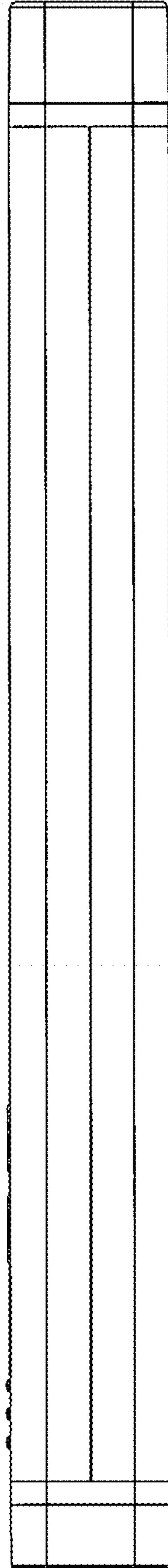


Fig. 4

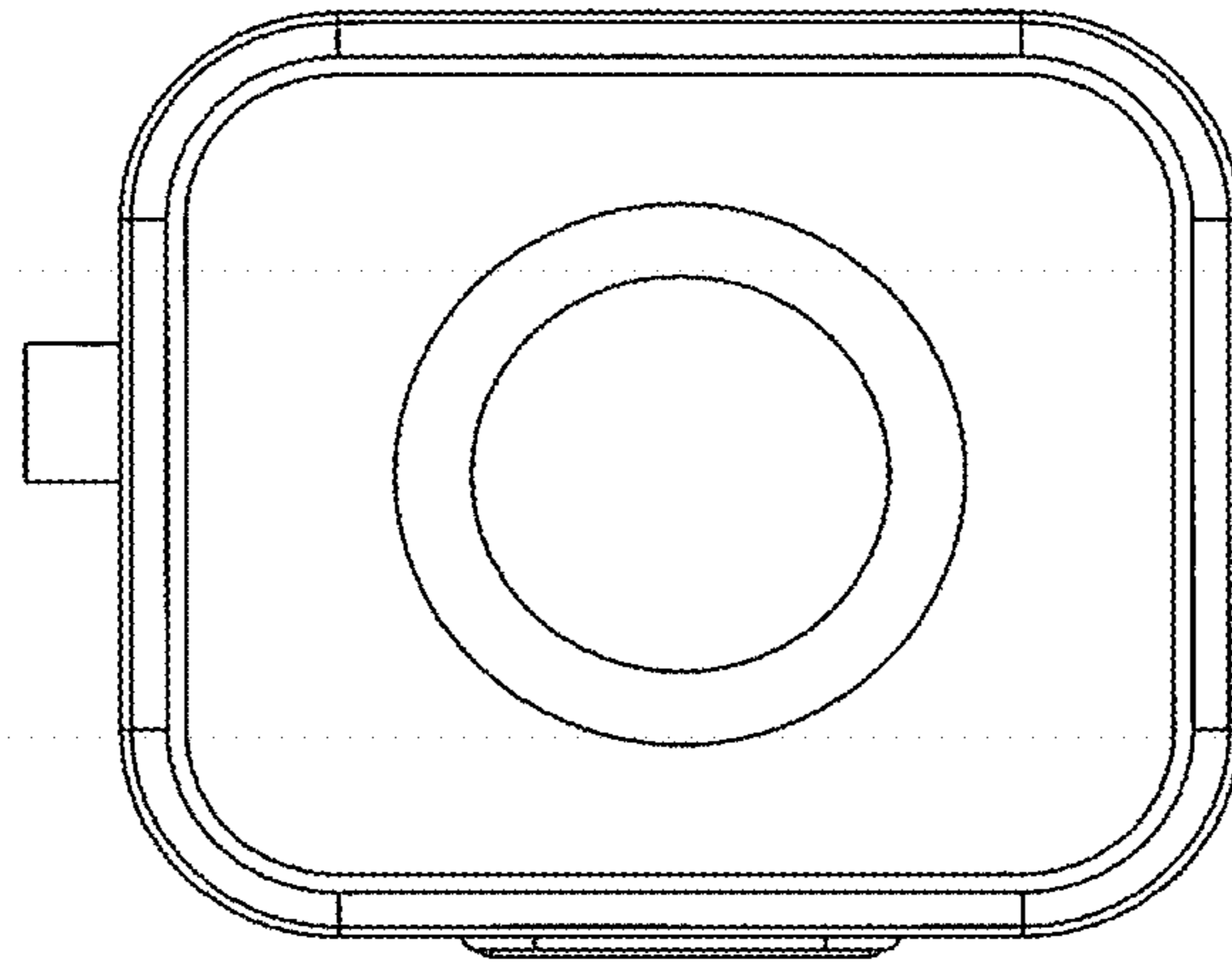


Fig. 5

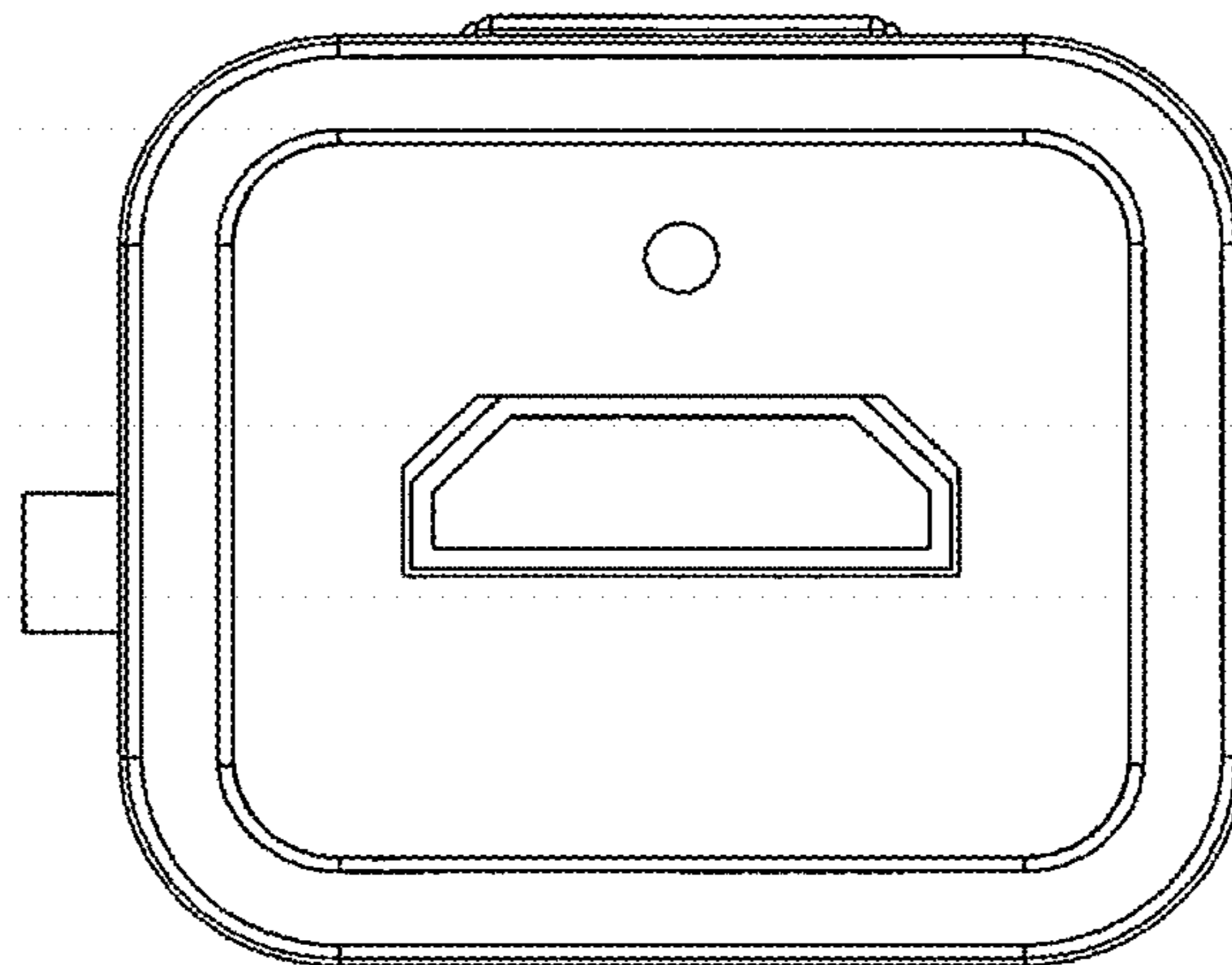


Fig. 6

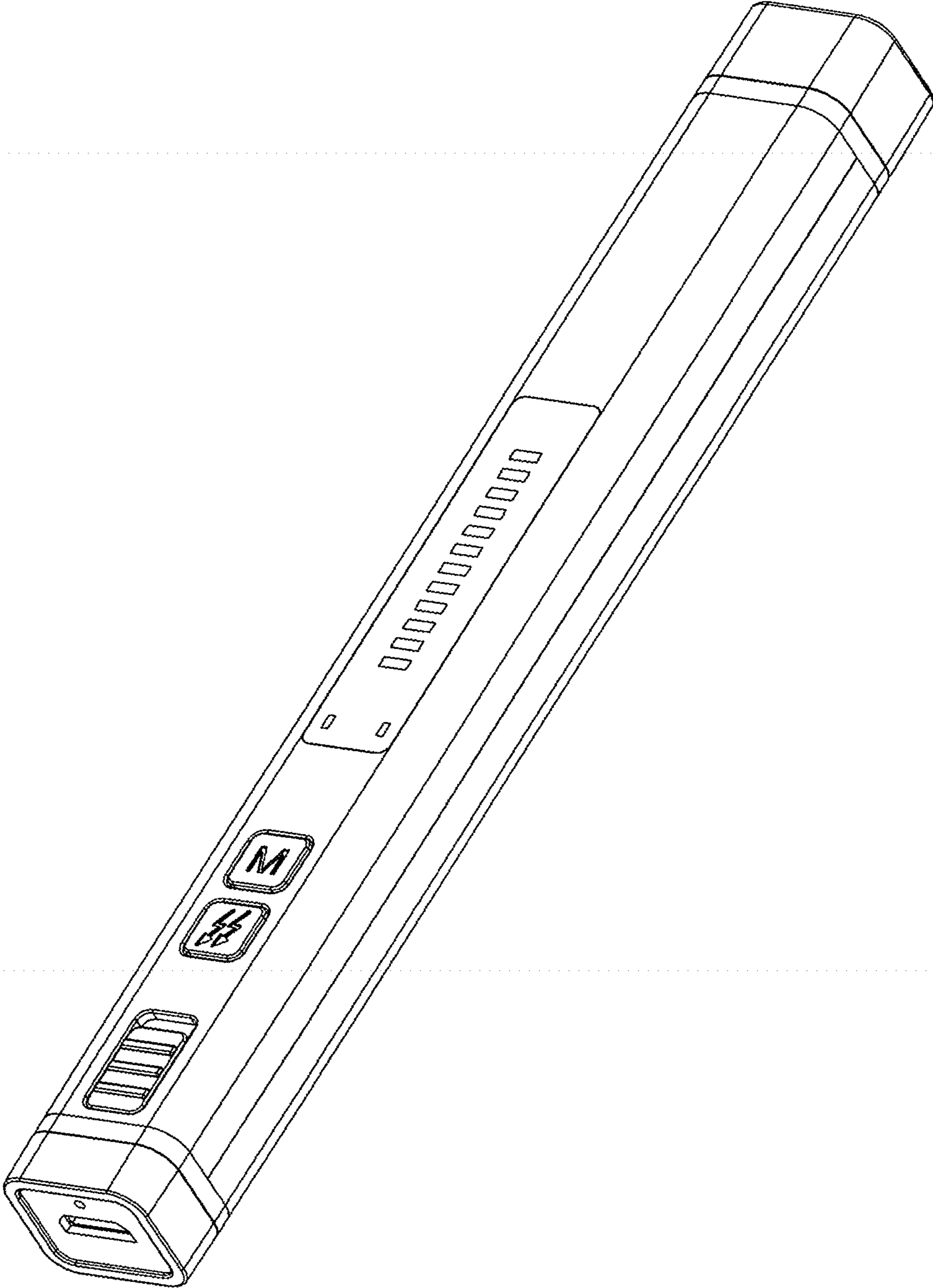


Fig. 7

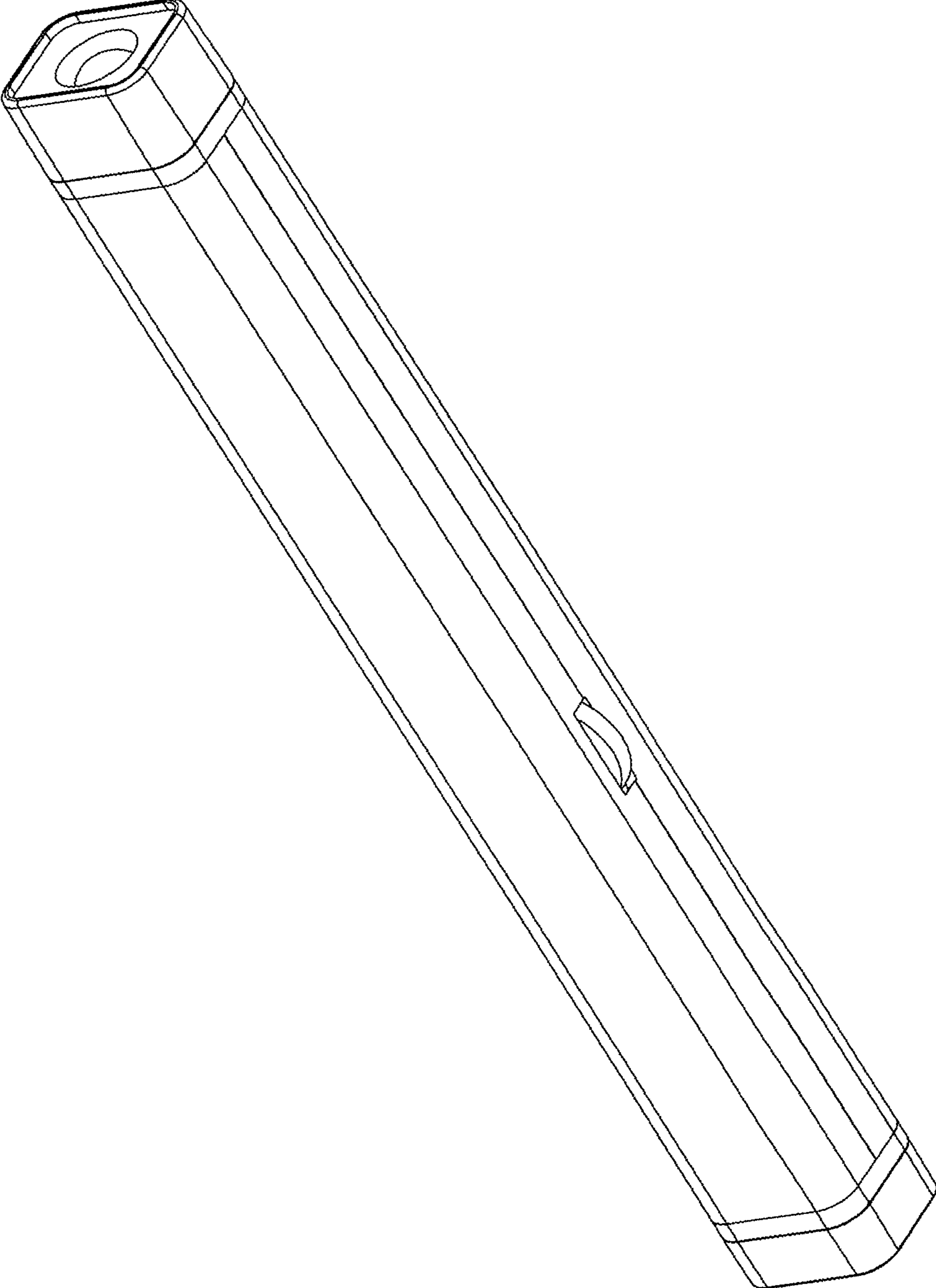


Fig. 8