



US00D947048S

(12) **United States Design Patent**  
**Gao**

(10) **Patent No.:** **US D947,048 S**  
(45) **Date of Patent:** **\*\* Mar. 29, 2022**

- (54) **BATTERY TESTING MODULE**
- (71) Applicant: **AUTEL INTELLIGENT TECHNOLOGY CORP., LTD.,**  
Guangdong (CN)
- (72) Inventor: **Ming Gao, Guangdong (CN)**
- (73) Assignee: **AUTEL INTELLIGENT TECHNOLOGY CORP., LTD.,**  
Shenzhen (CN)
- (\*\*) Term: **15 Years**
- (21) Appl. No.: **29/760,710**
- (22) Filed: **Dec. 3, 2020**
- (30) **Foreign Application Priority Data**

Jun. 5, 2020 (CN) ..... 202030280242.7

- (51) **LOC (13) Cl.** ..... **10-04**
- (52) **U.S. Cl.**  
USPC ..... **D10/77; D10/78**
- (58) **Field of Classification Search**  
USPC ..... **D10/75, 77, 76, 78**  
CPC ..... **G06Q 10/10; G06Q 20/30; G06Q 20/305;**  
**G06Q 20/32; G06Q 20/322; G06Q**  
**20/3221; G06Q 20/3223; G06Q 20/3224;**  
**G06Q 20/3226; G06Q 20/3227; G06Q**  
**20/3229; G06Q 20/325; G06Q 20/3255;**  
**G01R 15/12; G01R 15/125; G01R 19/25;**  
**G01R 31/36; G01R 31/378; G01R**  
**31/385; G01R 31/386; G01R 31/388;**  
**G01R 31/389; G01R 31/392; G01D**  
**9/005; G06K 7/10881**  
See application file for complete search history.

- (56) **References Cited**  
**U.S. PATENT DOCUMENTS**

D646,599 S \* 10/2011 Chen ..... D10/78  
D698,674 S \* 2/2014 Mattsson ..... D10/78

D698,675 S \* 2/2014 Sallander ..... D10/78  
D718,161 S \* 11/2014 Derr ..... D10/81  
D731,908 S \* 6/2015 Huang ..... D10/77  
9,317,066 B2 \* 4/2016 Mochizuki ..... G06F 1/1626  
D820,128 S \* 6/2018 Wong ..... D10/78  
D837,075 S \* 1/2019 Lu ..... D10/78  
D838,195 S \* 1/2019 Wu ..... D10/78  
D840,849 S \* 2/2019 Wang ..... D10/78  
10,222,397 B2 \* 3/2019 Salo, III ..... G01R 1/04  
D850,308 S \* 6/2019 Yun ..... D10/78  
11,054,478 B1 \* 7/2021 Madeley ..... G01R 1/04  
D928,642 S \* 8/2021 Wang ..... D10/78  
D932,928 S \* 10/2021 Lu ..... D10/77  
D937,109 S \* 11/2021 Wang ..... D10/78  
D937,693 S \* 12/2021 Lu ..... D10/77  
2003/0128036 A1 \* 7/2003 Henningson ..... G01R 31/58  
324/426  
2014/0092512 A1 \* 4/2014 Fan ..... G01R 31/3648  
361/91.1  
2019/0346492 A1 \* 11/2019 Worones ..... G01R 15/205  
2020/0341066 A1 \* 10/2020 Frigo ..... G01R 31/378

\* cited by examiner

Primary Examiner — Selina Sikder

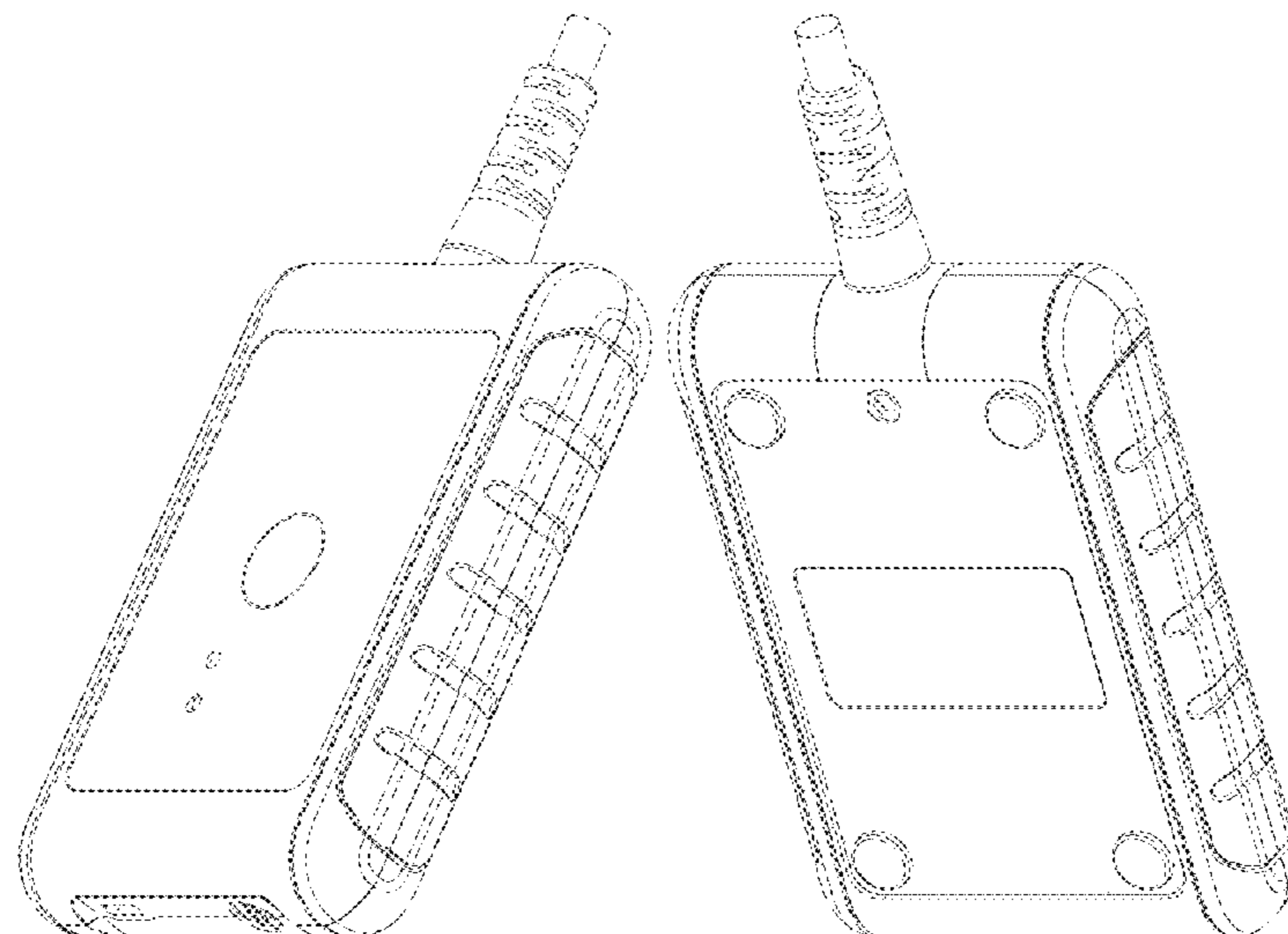
(57) **CLAIM**

I claim the ornamental design for a battery testing module, as shown and described.

**DESCRIPTION**

FIG. 1 is a front elevational view of a battery testing module showing my new design;  
FIG. 2 is a back elevational view thereof;  
FIG. 3 is a left side elevational view thereof;  
FIG. 4 is a right side elevational view thereof;  
FIG. 5 is a top plan view thereof;  
FIG. 6 is a bottom plan view thereof;  
FIG. 7 is a first perspective view thereof; and,  
FIG. 8 is a second perspective view thereof.

**1 Claim, 7 Drawing Sheets**



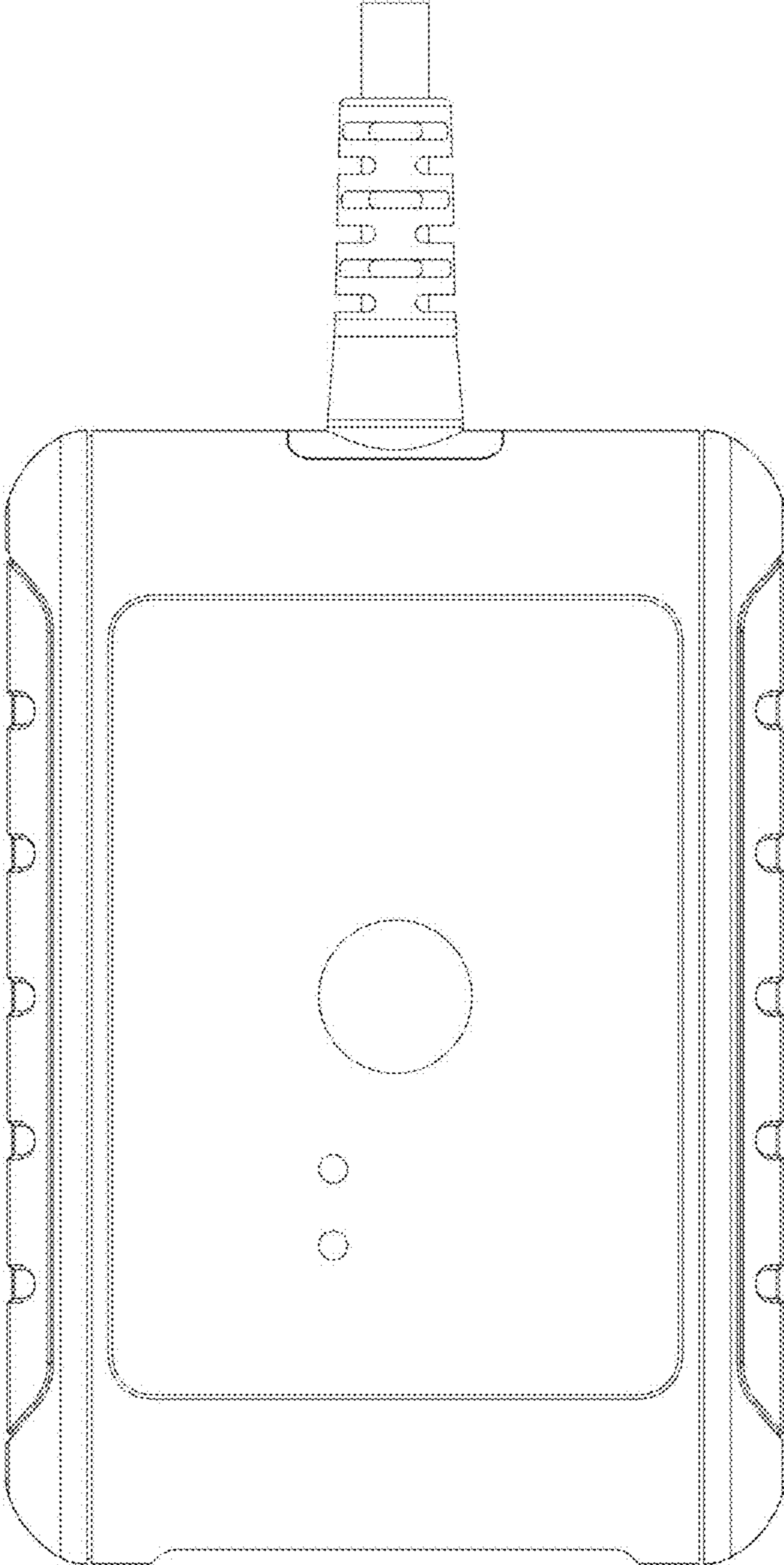


FIG.1

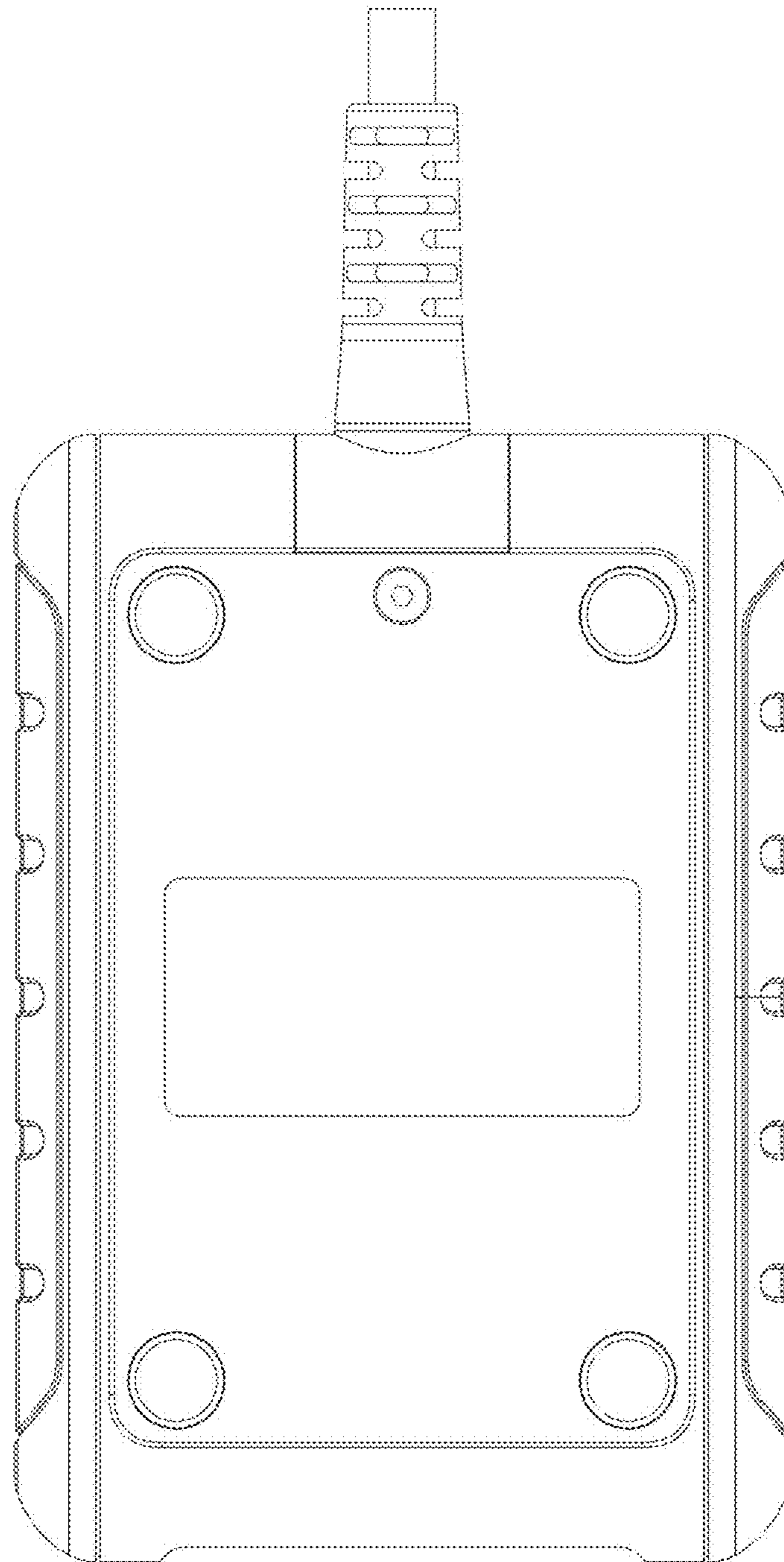


FIG.2

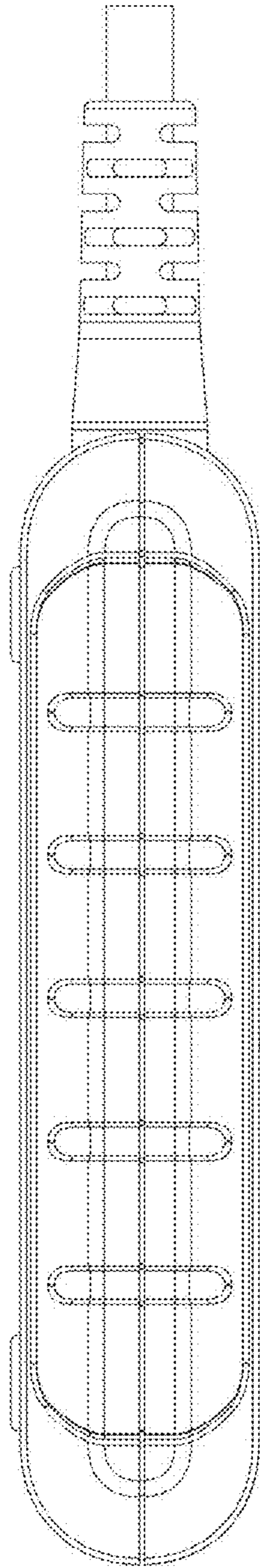


FIG.3

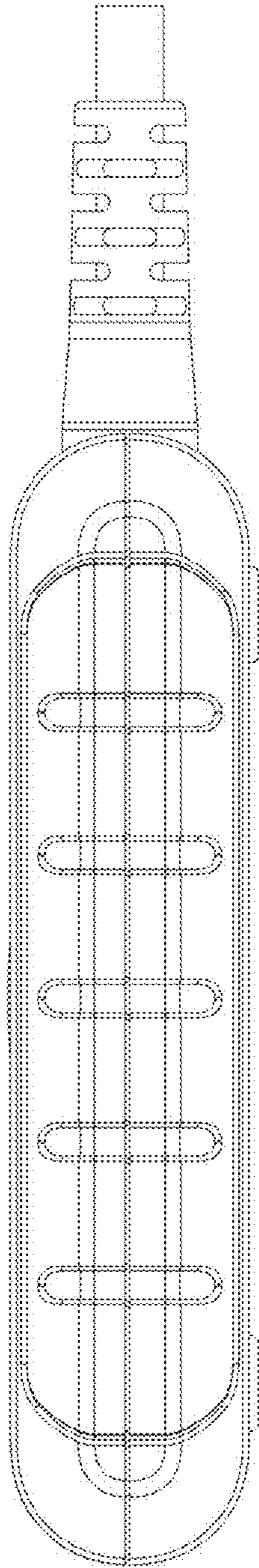


FIG.4

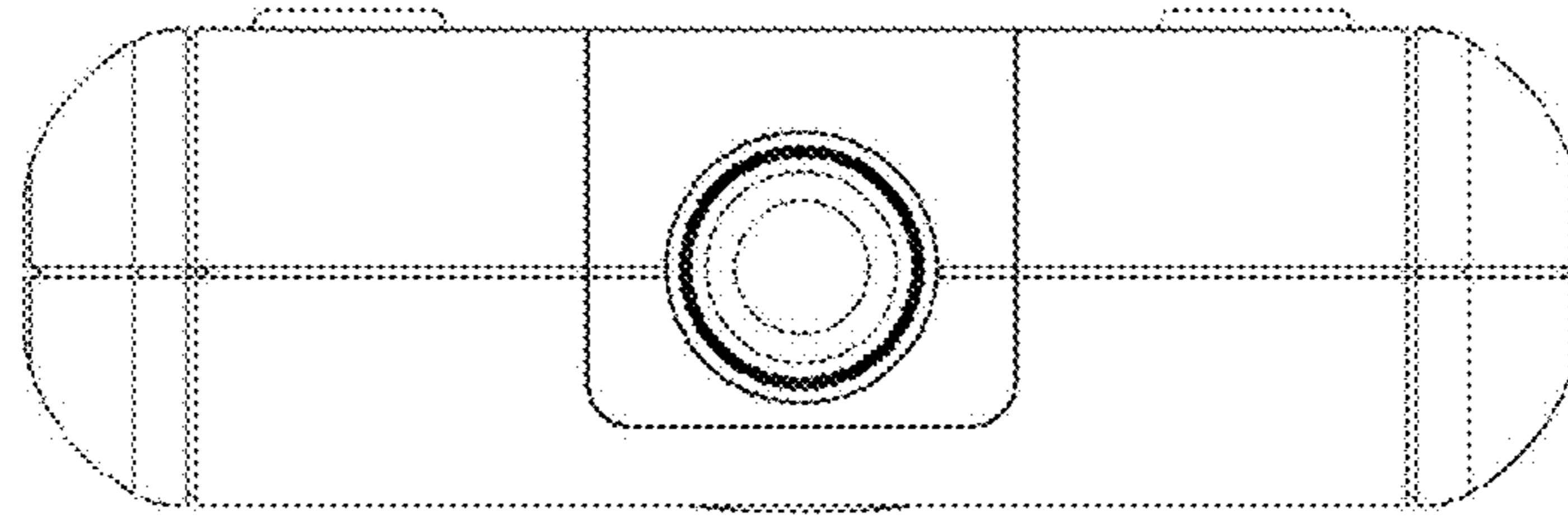


FIG.5

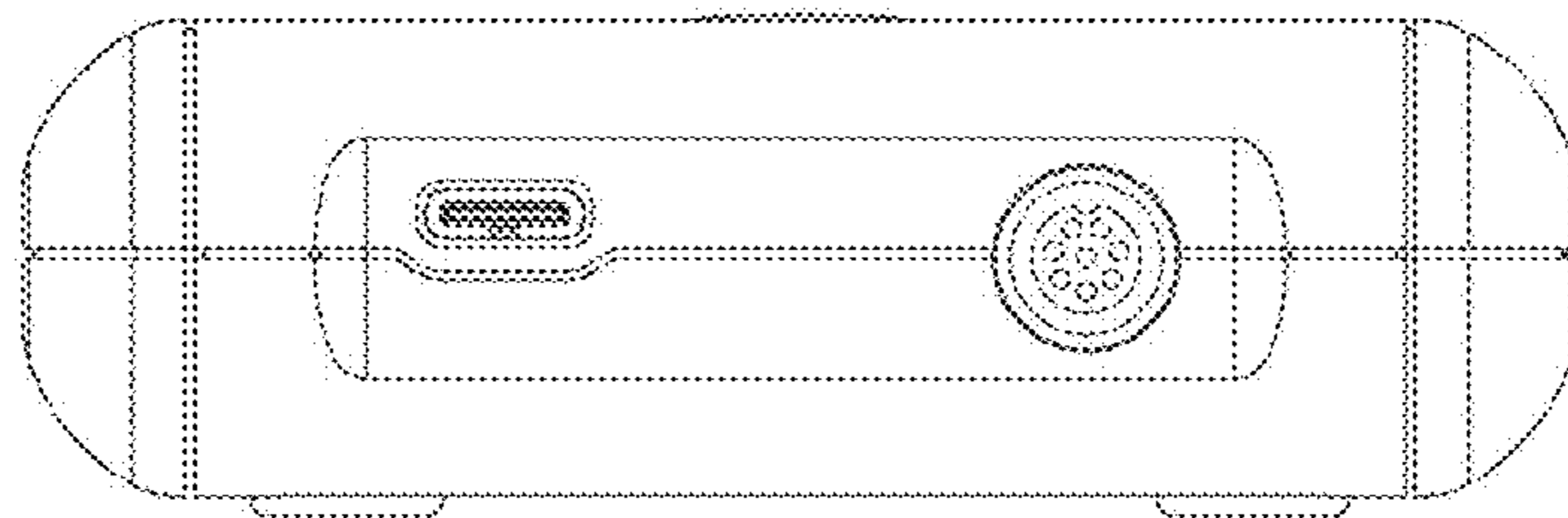


FIG.6

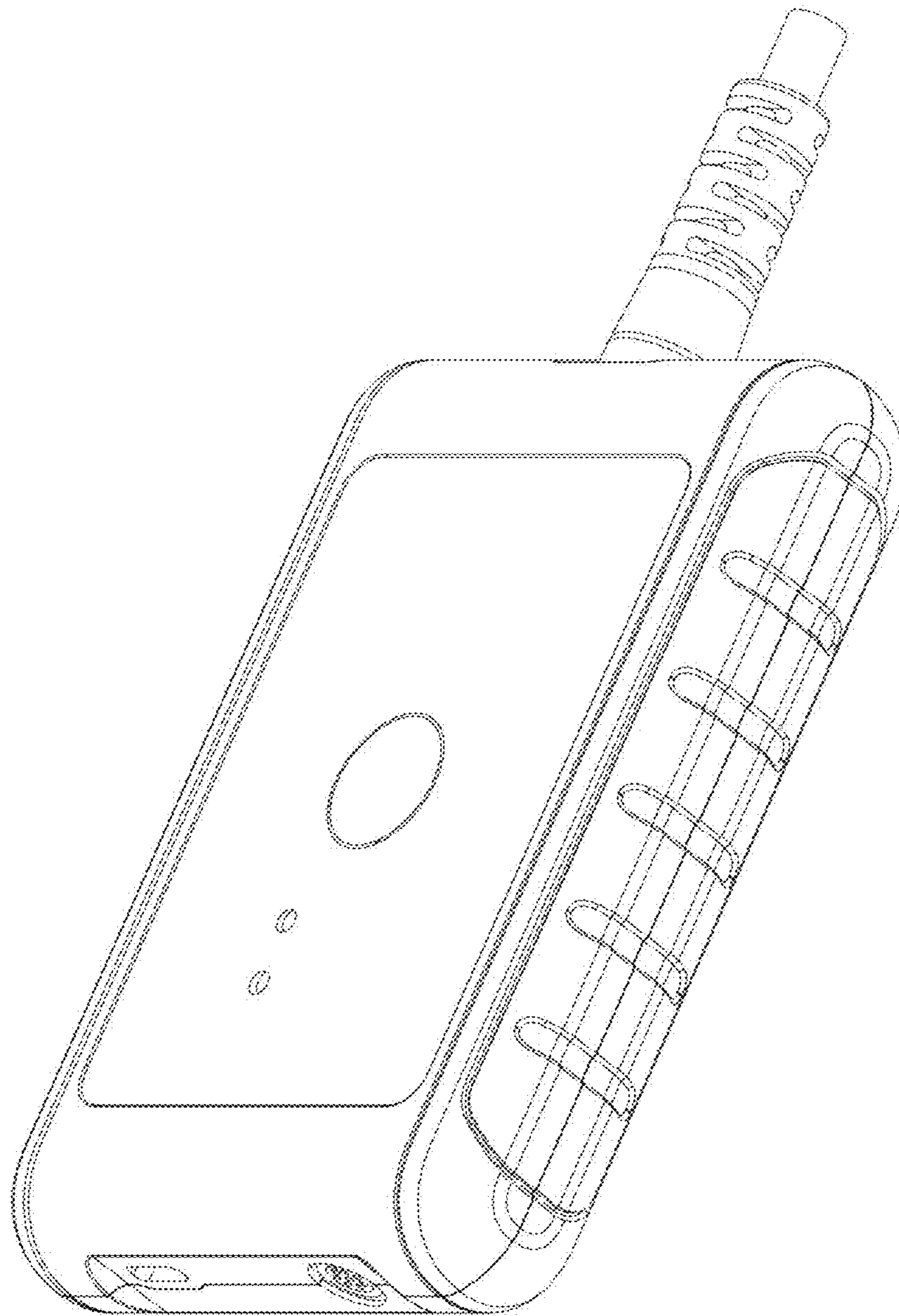


FIG.7

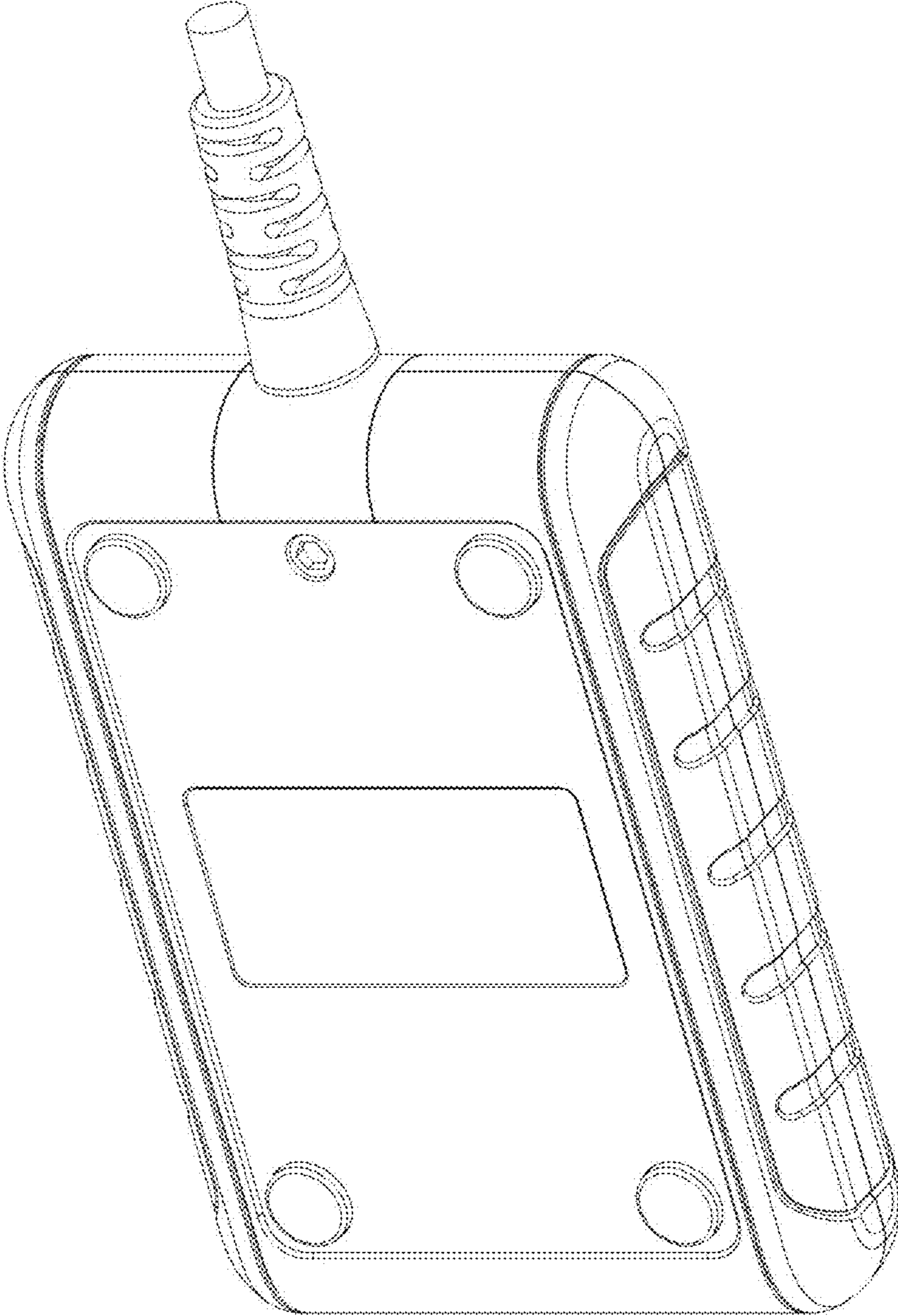


FIG.8