



US00D947047S

(12) **United States Design Patent** (10) **Patent No.:** **US D947,047 S**
Lu (45) **Date of Patent:** **** Mar. 29, 2022**

(54) **BATTERY TESTING APPARATUS**
 (71) Applicant: **AUTEL INTELLIGENT TECHNOLOGY CORP., LTD.**,
 Guangdong (CN)
 (72) Inventor: **Boming Lu**, Guangdong (CN)
 (73) Assignee: **AUTEL INTELLIGENT TECHNOLOGY CORP., LTD.**,
 Shenzhen (CN)

D837,074 S * 1/2019 Lu D10/78
 D840,849 S * 2/2019 Wang D10/78
 D842,818 S * 3/2019 Laflamme D13/162
 D848,417 S * 5/2019 Shim D14/356
 D850,308 S * 6/2019 Yun D10/78
 10,353,499 B2 * 7/2019 Laflamme A47K 3/00
 D873,213 S * 1/2020 Wu D13/108
 D873,214 S * 1/2020 Wu D13/108
 D873,215 S * 1/2020 Wu D13/108
 D875,670 S * 2/2020 Natsume D13/108
 D930,636 S * 9/2021 Griffin, Jr. D14/250
 2017/0277924 A1 * 9/2017 Widiaman A45C 13/42

* cited by examiner

(**) Term: **15 Years**

Primary Examiner — L. A. Grabenstetter
Assistant Examiner — Antoinette Martine Suiter

(21) Appl. No.: **29/724,689**

(22) Filed: **Feb. 18, 2020**

(57) **CLAIM**

I claim the ornamental design for a battery testing apparatus, as shown and described.

(30) **Foreign Application Priority Data**

Aug. 15, 2019 (CN) 201930443893.0

DESCRIPTION

(51) **LOC (13) Cl.** **10-04**

(52) **U.S. Cl.**
USPC **D10/77**

(58) **Field of Classification Search**
 USPC D14/138 C, 250, 251; D12/167, 174,
 D12/400; D10/75, 78, 77, 65, 70
 CPC G08C 17/00; G08C 17/02; G01S 1/02
 See application file for complete search history.

FIG. 1 is a front elevational view of a battery testing apparatus showing our new design;
 FIG. 2 is a back elevational view thereof;
 FIG. 3 is a left side elevational view thereof;
 FIG. 4 is a right side elevational view thereof;
 FIG. 5 is a top plan view thereof;
 FIG. 6 is a bottom plan view thereof;
 FIG. 7 is a front perspective view 1 thereof;
 FIG. 8 is a back perspective view 2 thereof;
 FIG. 9 is a sectional view thereof, shown in the direction of arrow 9-9 in FIG. 1; and,
 FIG. 10 is a partial enlarged view thereof, taken from circle 10 in FIG. 9.

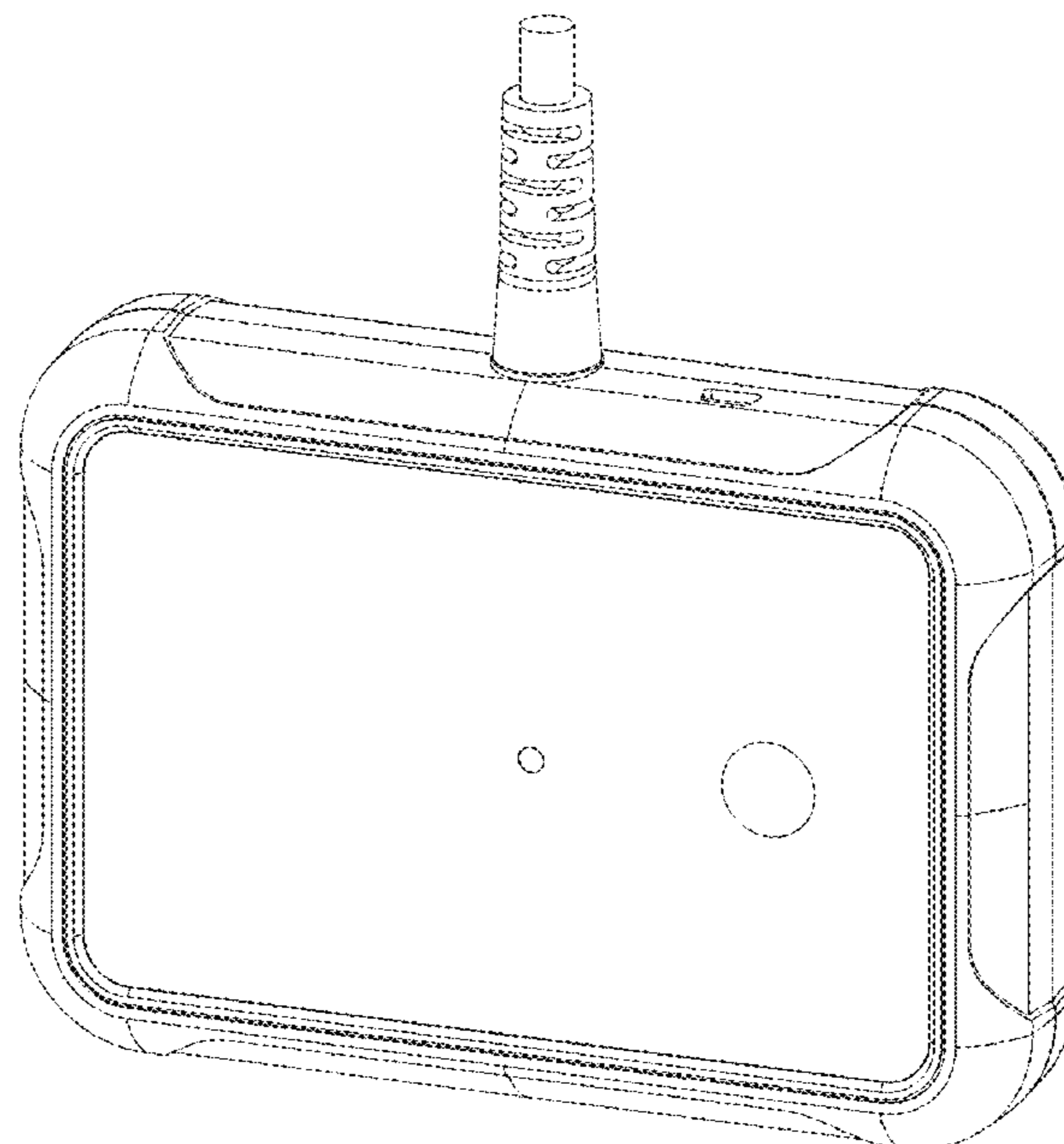
(56) **References Cited**

U.S. PATENT DOCUMENTS

4,831,560 A * 5/1989 Zaleski G01R 31/007
 701/32.8
 D572,615 S * 7/2008 Gerold D10/78
 D578,960 S * 10/2008 Fisher D13/108
 D697,903 S * 1/2014 Witter D14/250
 D742,310 S * 11/2015 Yen D13/108
 D836,064 S * 12/2018 Liu D13/102

The broken line circles and lead lines in FIGS. 9 and 10 are included for the purpose of illustrating the enlarged views and form no part of the claimed design.

1 Claim, 8 Drawing Sheets



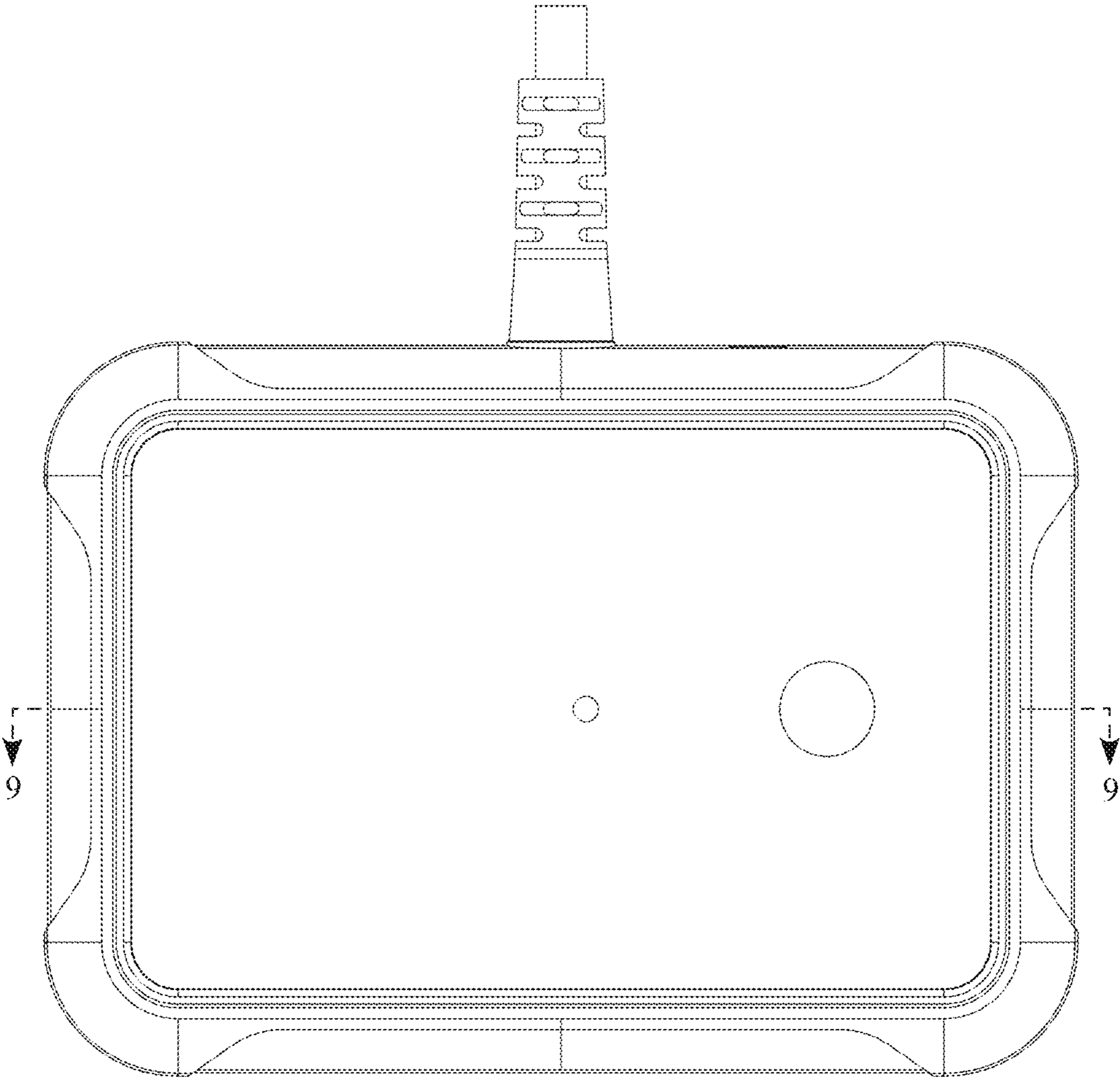


FIG.1

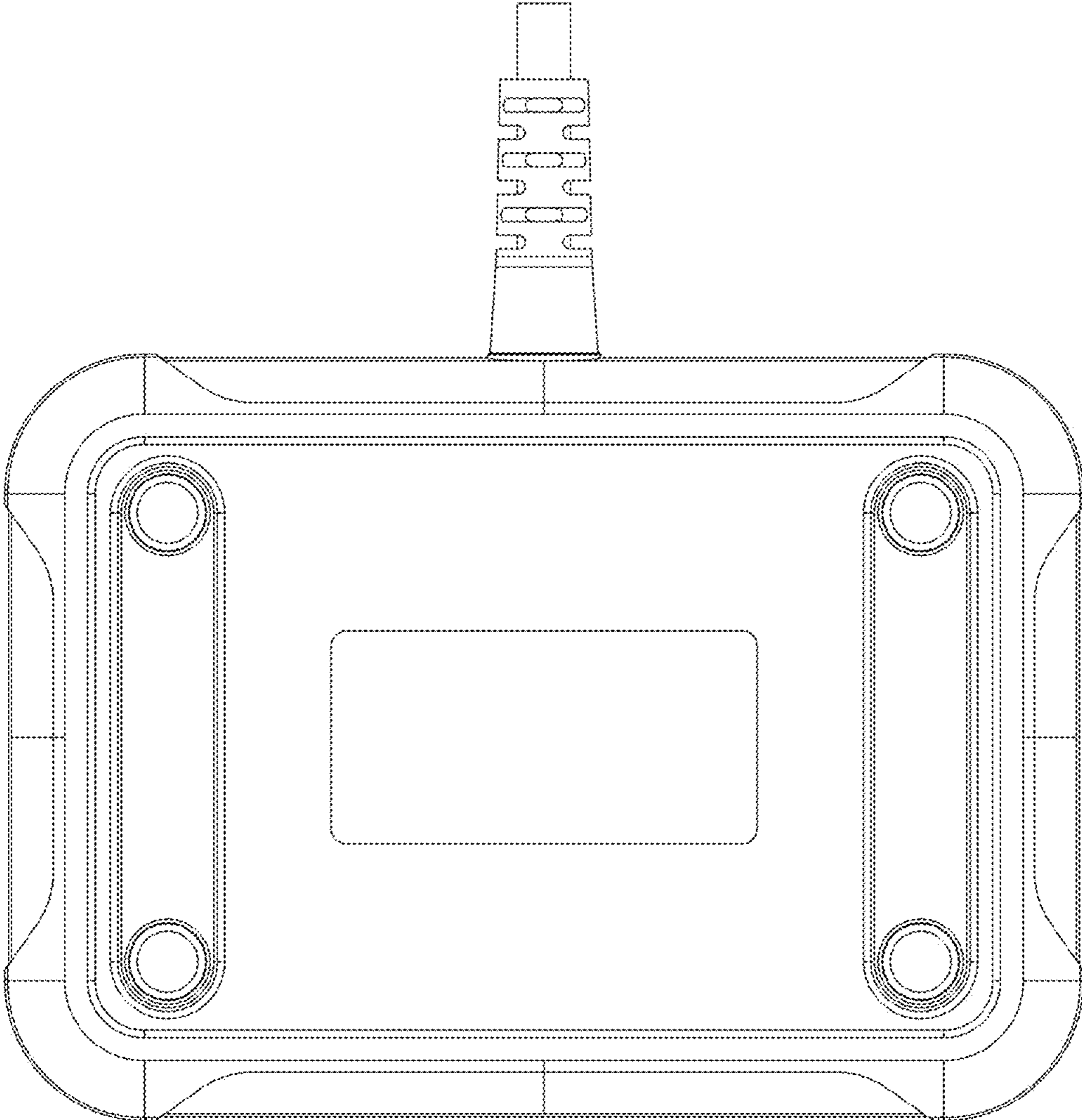


FIG.2

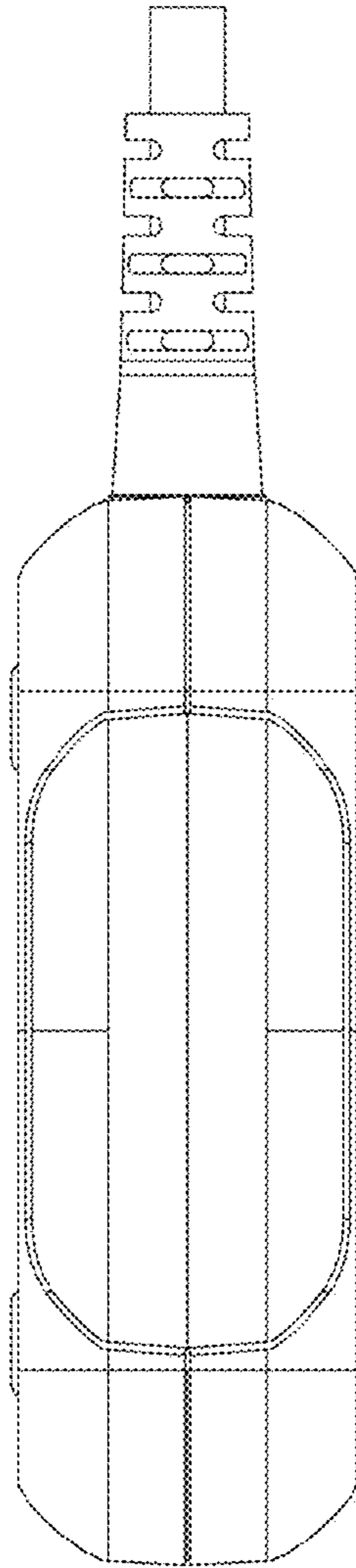


FIG.3

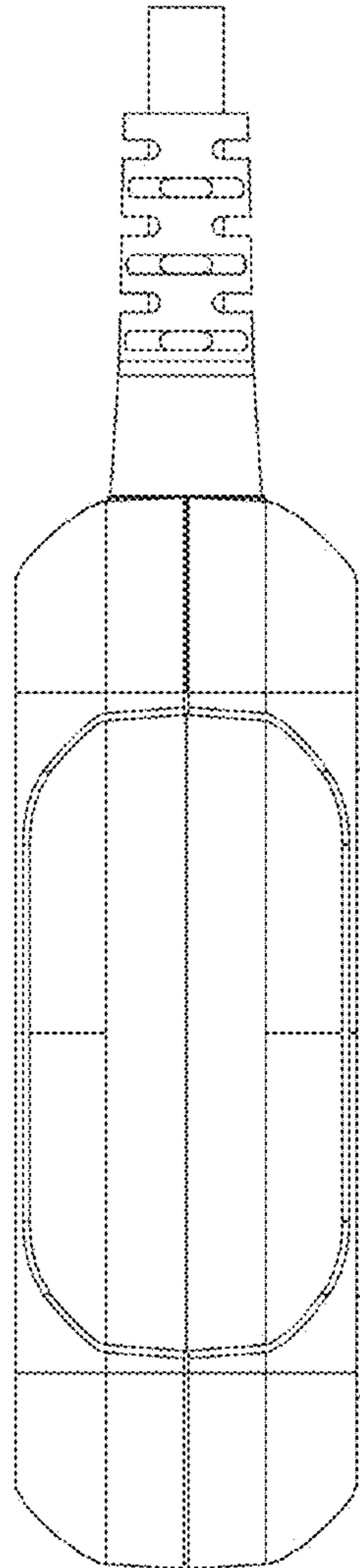


FIG.4

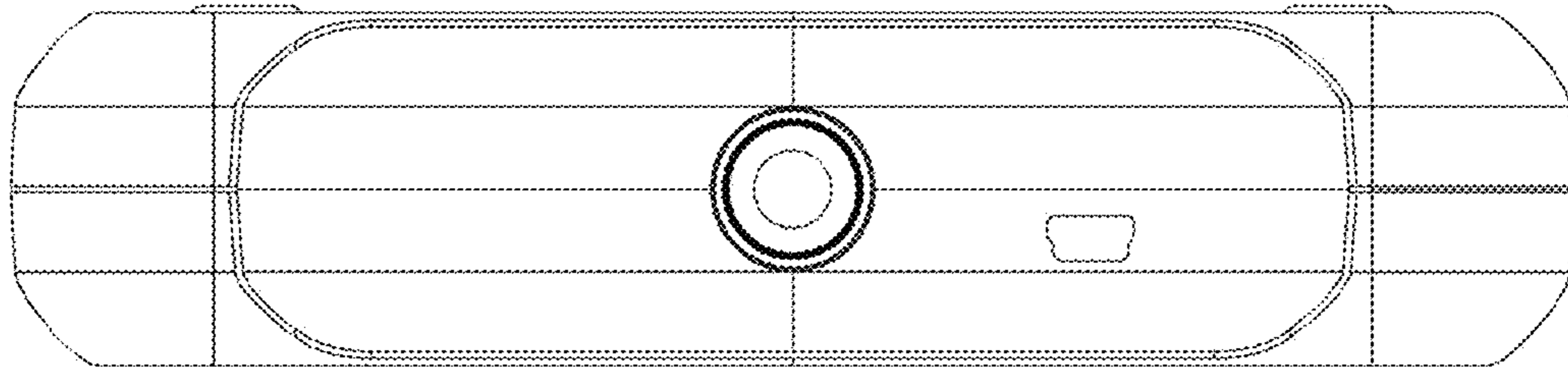


FIG. 5

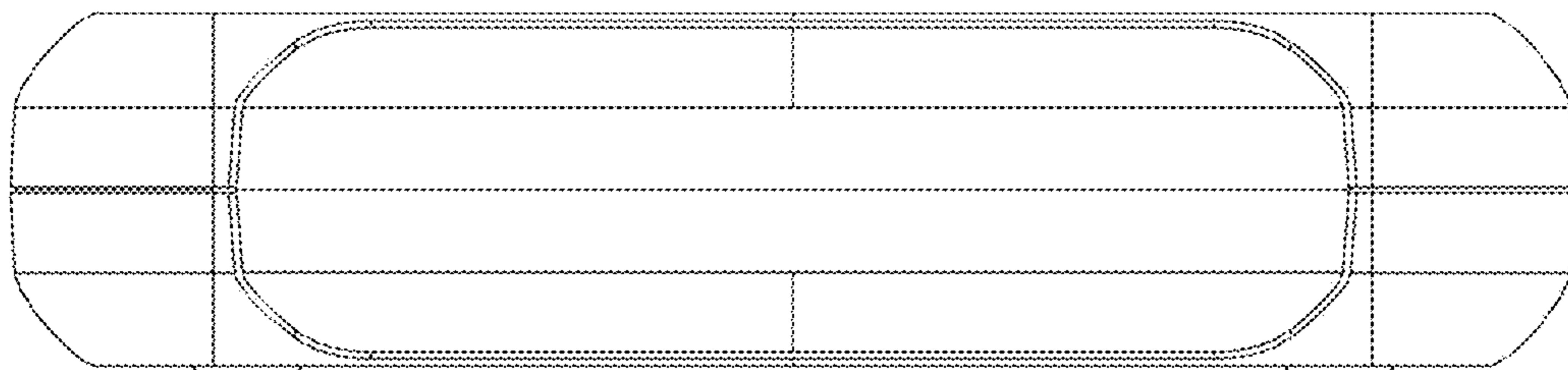


FIG. 6

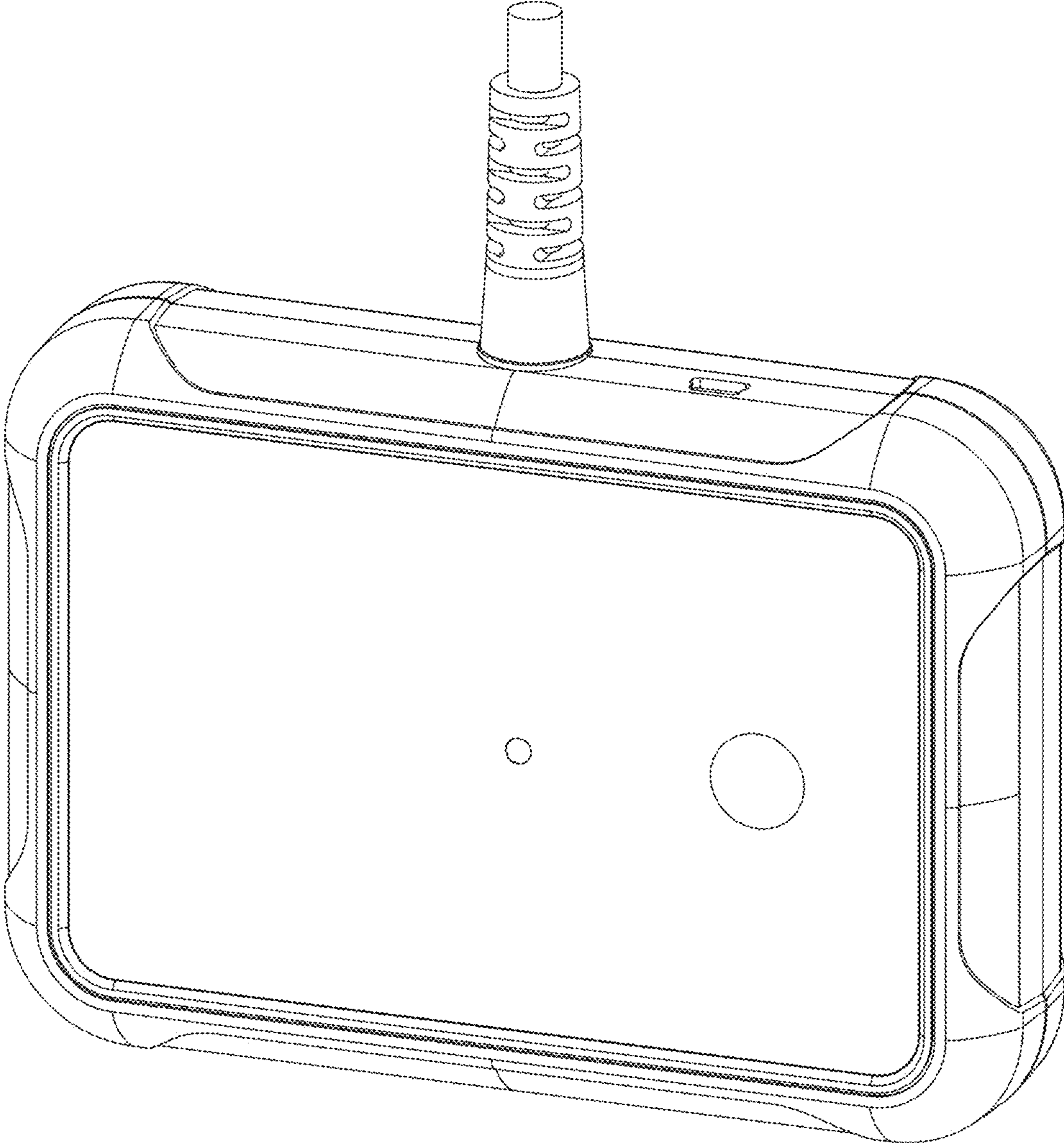


FIG.7

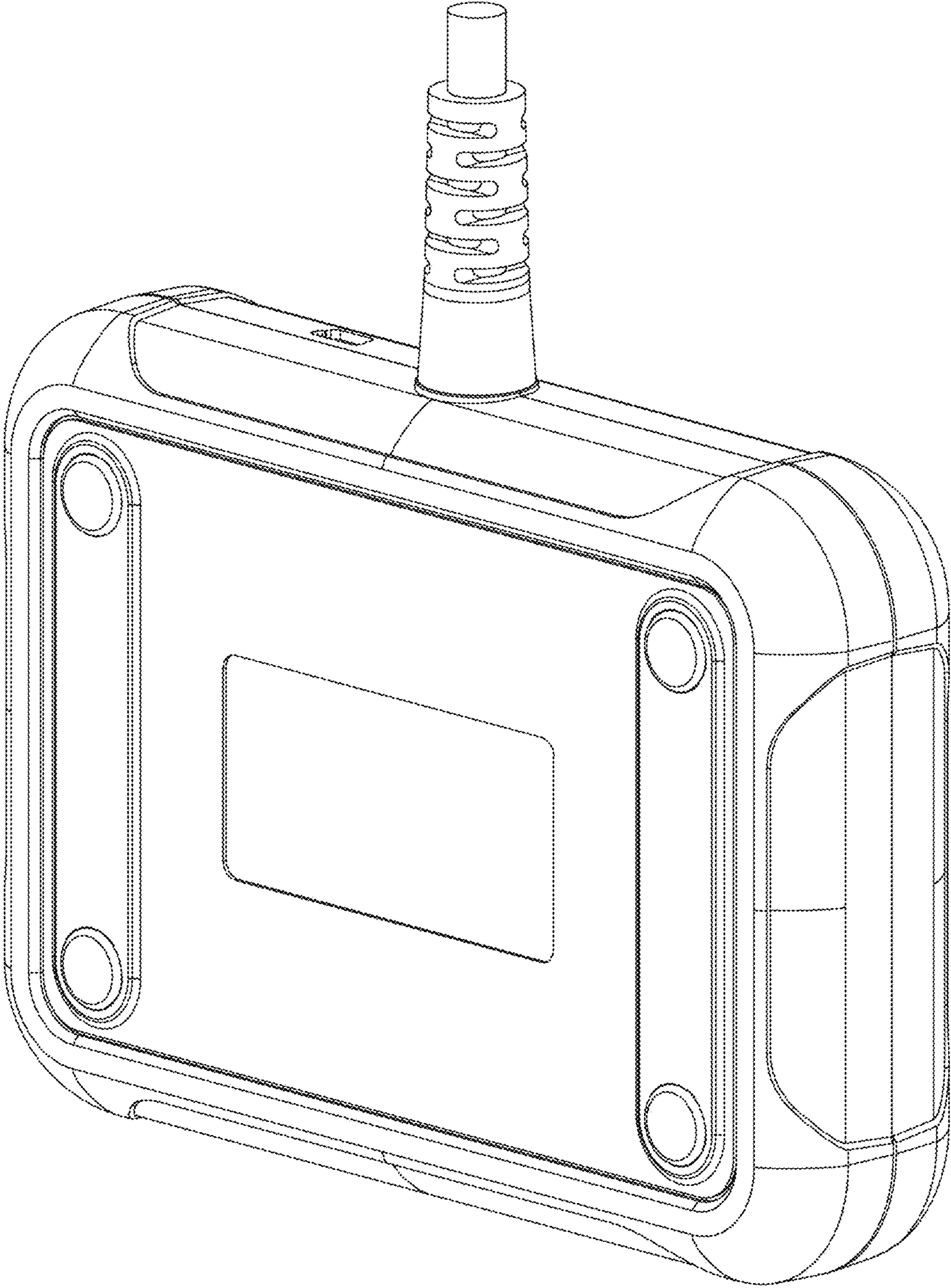


FIG. 8

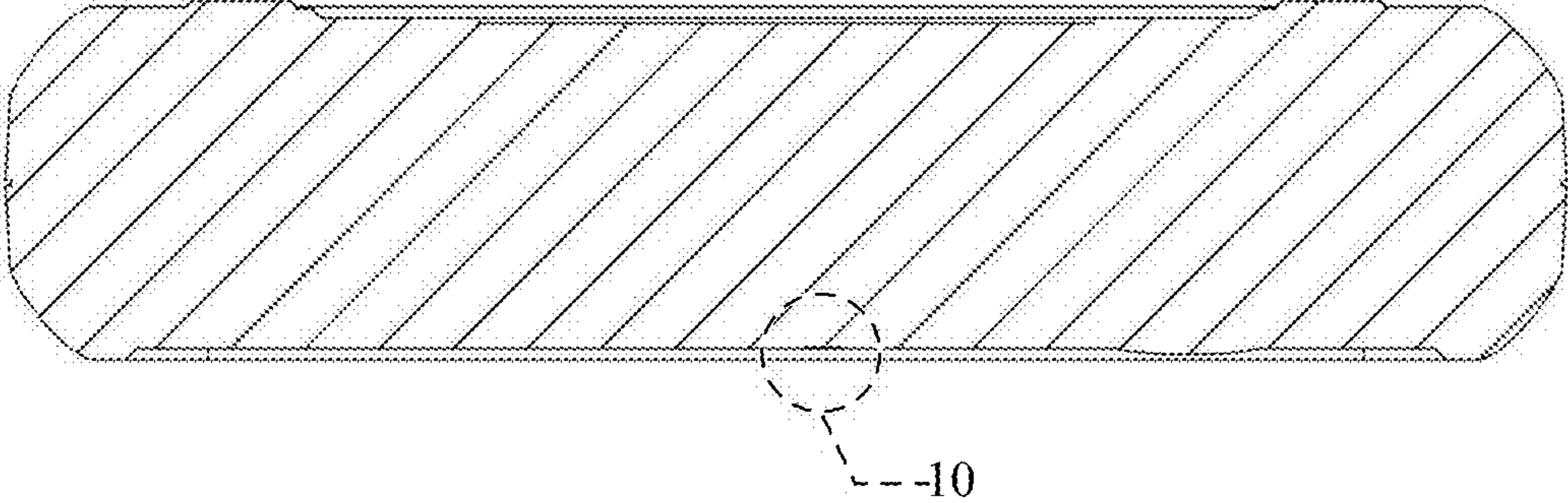


FIG. 9

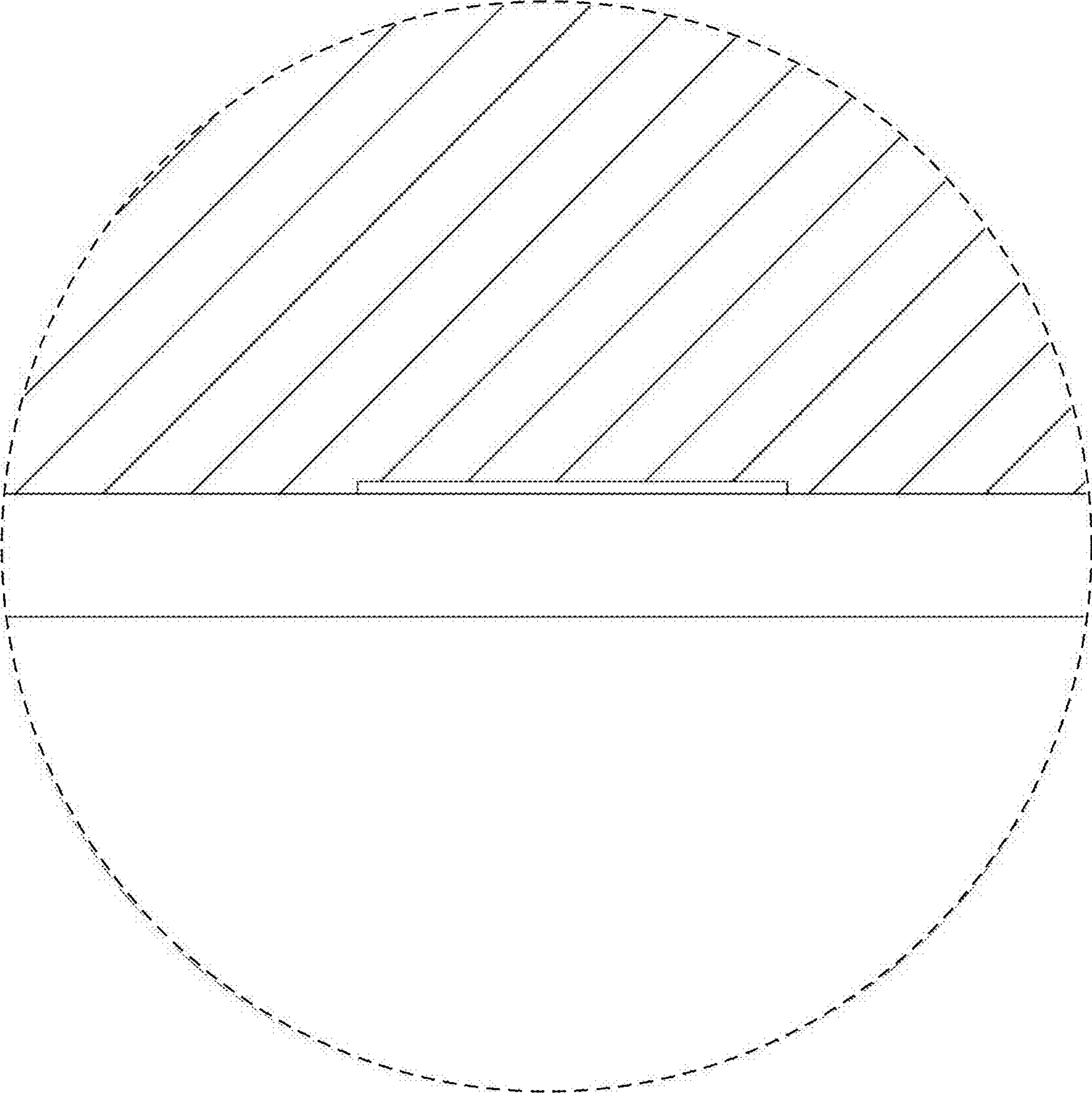


FIG. 10