



US00D947046S

(12) **United States Design Patent**
Lenz et al.

(10) **Patent No.:** **US D947,046 S**
(45) **Date of Patent:** **** Mar. 29, 2022**

(54) **ELECTRONIC DEVICE**

(71) Applicant: **Garmin Switzerland GmbH**,
Schaffhausen (CH)
(72) Inventors: **Derrick D. Lenz**, Olathe, KS (US);
Stephen A. Vincent, Lawrence, KS
(US); **Michael J. Soleo**, Kansas City,
MO (US)

(73) Assignee: **Garmin Switzerland GmbH**

(**) Term: **15 Years**

(21) Appl. No.: **29/726,446**

(22) Filed: **Mar. 3, 2020**

(51) **LOC (13) Cl.** **10-04**

(52) **U.S. Cl.**
USPC **D10/65**

(58) **Field of Classification Search**
USPC D10/65, 70; D12/192; D14/388, 389,
D14/390

CPC G08G 1/096883; G08G 1/096872; G08G
1/096775; G08G 1/123; G08G 1/127;
G08G 1/13; G08G 1/133; G08G 1/137;
G08G 1/14; G08G 1/141; G08G 1/142;
G08G 1/143; G08G 1/144; G08G 1/145;
G08G 1/146; G08G 1/147; G08G 1/148;
G08G 1/149; G08G 1/005; G01C 21/16;
G01C 21/3688; G01C 21/30; G01C
21/00; G01V 8/20; G01J 5/02; G01J
5/023; G01J 5/24; G01J 5/10; G01J 5/20;
G01J 5/0235; G01J 5/08; G01J 5/0853;
G01J 5/33; G01J 5/34; G01J 5/00; G01S
19/48; G01S 5/0009; G01S 2205/001;
G01S 2205/008

See application file for complete search history.

(56) **References Cited**

U.S. PATENT DOCUMENTS

D562,708 S 2/2008 Skelton et al.
D581,818 S * 12/2008 Gretton D10/65

D589,381 S * 3/2009 Gretton D10/65
D589,382 S * 3/2009 Gretton D10/65
D589,383 S * 3/2009 Gretton D10/65
D589,384 S * 3/2009 Gretton D10/65
D589,385 S * 3/2009 Gretton D10/65
D611,362 S 3/2010 Hansen et al.
D640,150 S 6/2011 Hansen et al.
D677,182 S 3/2013 Lee et al.
D692,326 S * 10/2013 Roberts D10/65
D693,705 S 11/2013 Stevens et al.

(Continued)

OTHER PUBLICATIONS

Printout from <https://www.bmwmotorcycles.com/en/accessories-and-gear/motorcycle-accessories/navigation-communication/navigator-v.html>, published prior to Mar. 3, 2020.

(Continued)

Primary Examiner — Antoine D Davis

(74) *Attorney, Agent, or Firm* — Samuel M. Korte; Max M. Ali

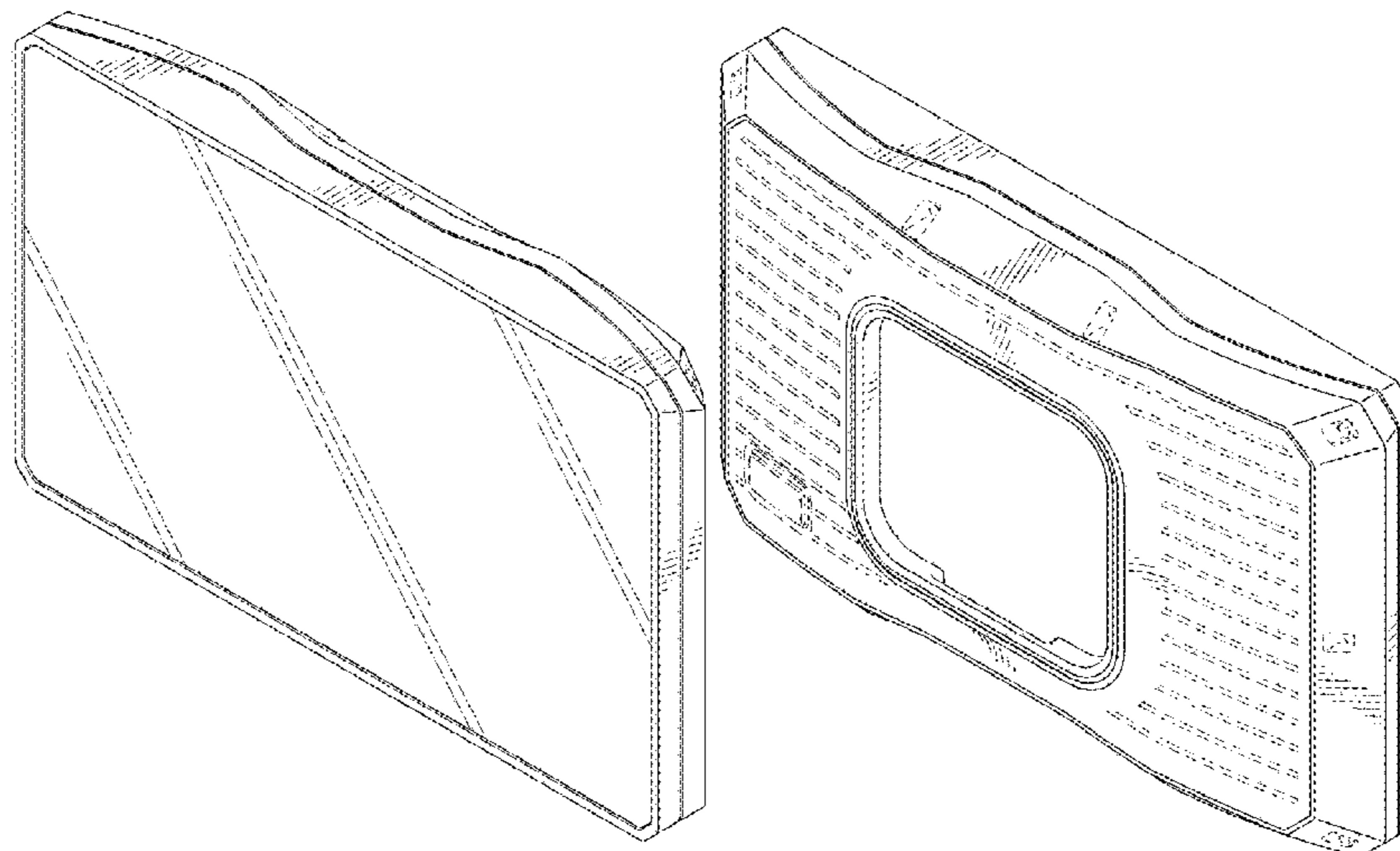
(57) **CLAIM**

The ornamental design for an electronic device, as shown and described.

DESCRIPTION

FIG. 1 is a front perspective view of an electronic device according to the present invention;
FIG. 2 is a rear perspective view of the electronic device;
FIG. 3 is a front view of the electronic device;
FIG. 4 is a rear view of the electronic device;
FIG. 5 is a left side view of the electronic device;
FIG. 6 is a right side view of the electronic device;
FIG. 7 is a top view of the electronic device; and,
FIG. 8 is a bottom view of the electronic device.
The broken lines shown in the drawings represent portions of the electronic device that form no part of the claimed design.

1 Claim, 4 Drawing Sheets



(56)

References Cited

U.S. PATENT DOCUMENTS

D693,706 S 11/2013 Stevens et al.
D693,707 S * 11/2013 Stevens D10/65
D702,140 S 4/2014 Stevens et al.
D702,571 S 4/2014 Stevens et al.
D708,078 S 7/2014 Stevens et al.
D719,858 S 12/2014 Stevens et al.
D724,451 S 3/2015 Stevens et al.
D727,182 S 4/2015 Lenz et al.
D742,258 S 11/2015 Stevens et al.
D750,510 S 3/2016 Lenz et al.
D751,933 S 3/2016 Lenz et al.
D777,232 S 1/2017 Lillquist et al.
D785,066 S 4/2017 Iiu et al.
D789,811 S 6/2017 Lenz et al.
D789,812 S 6/2017 Lenz et al.
D805,410 S * 12/2017 Hendren D10/65

OTHER PUBLICATIONS

Printout from https://www.tomtom.com/en_us/drive/motorcycle/products/rider-550/, published prior to Mar. 3, 2020.

* cited by examiner

Fig. 1

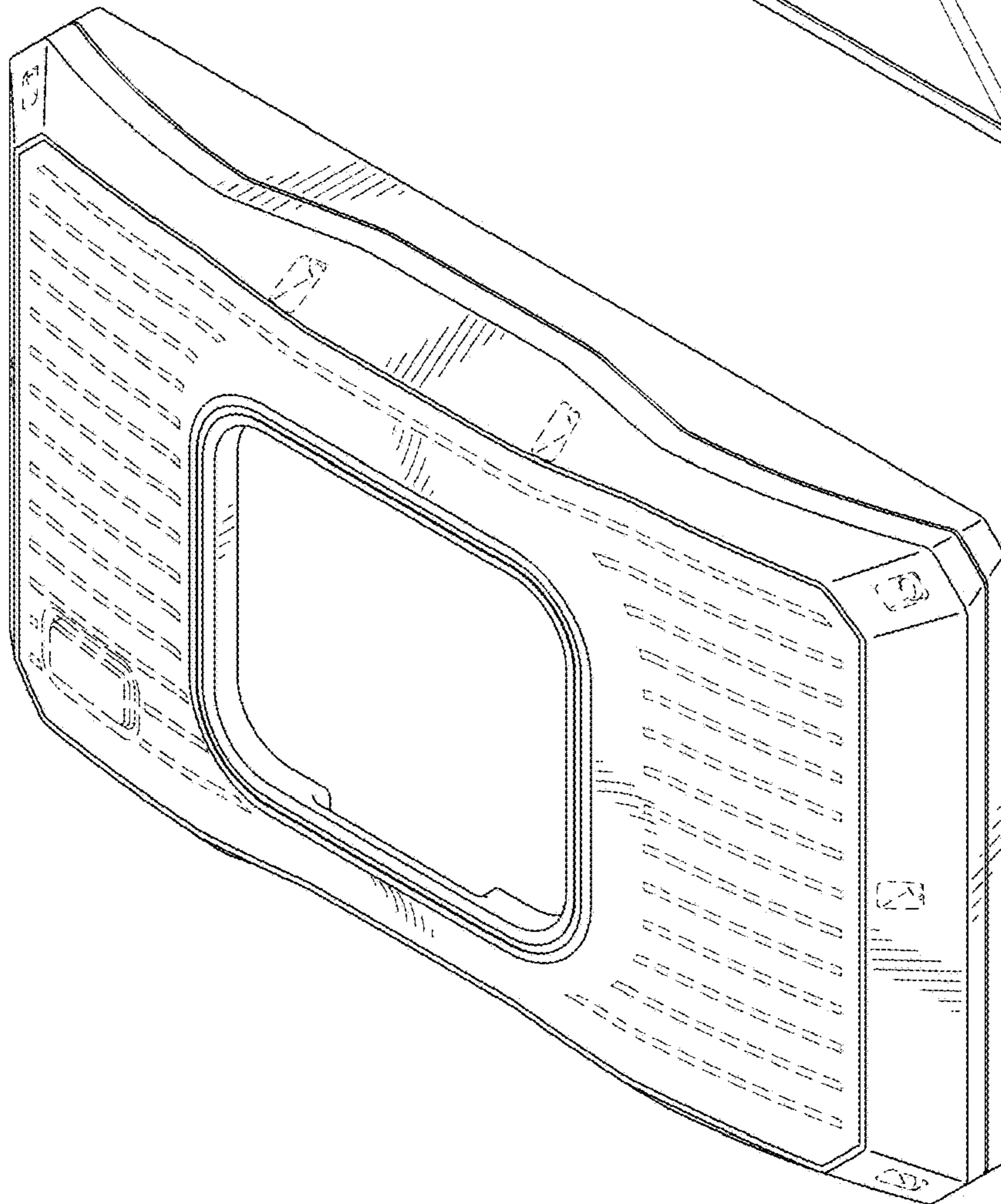
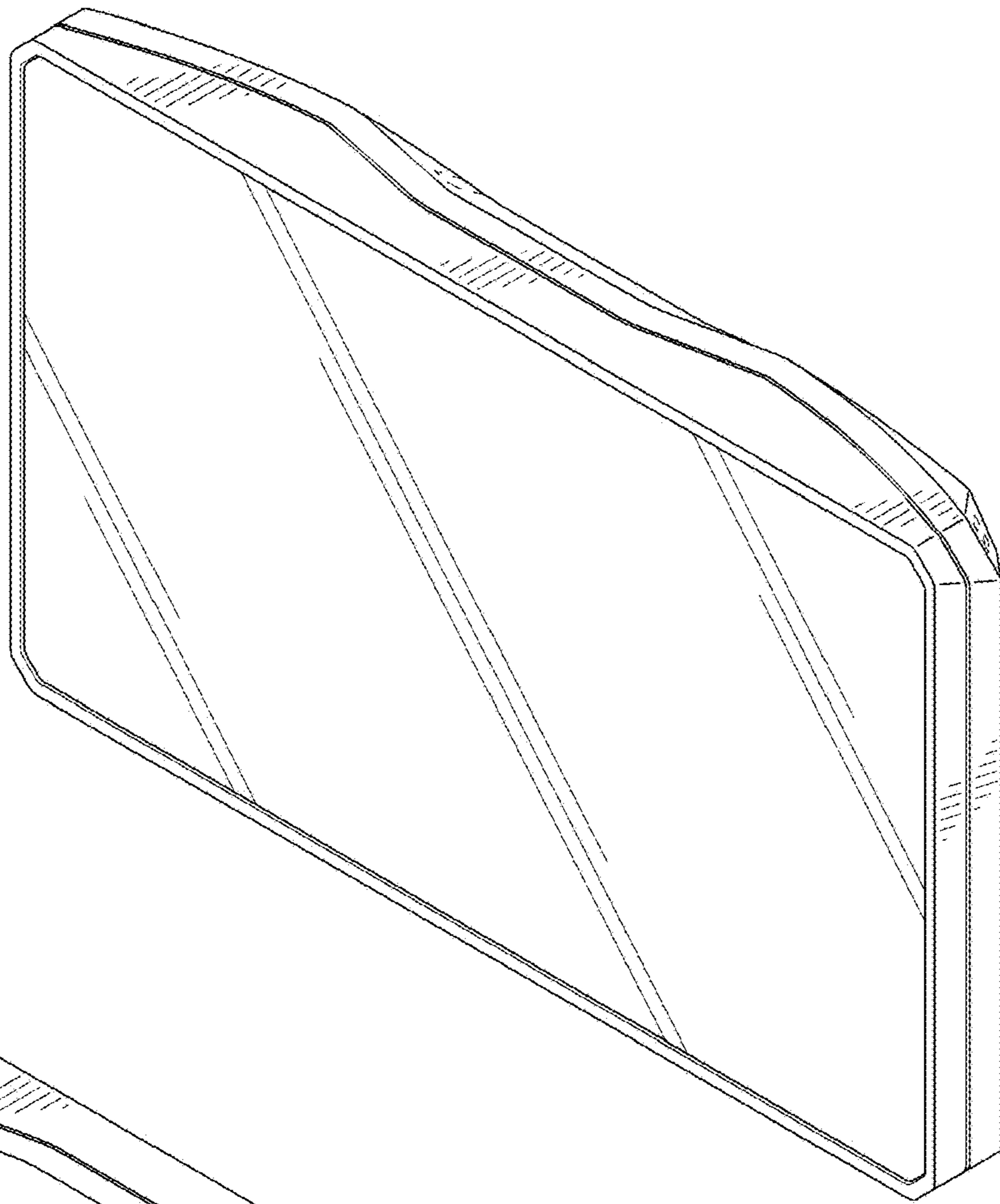


Fig. 2

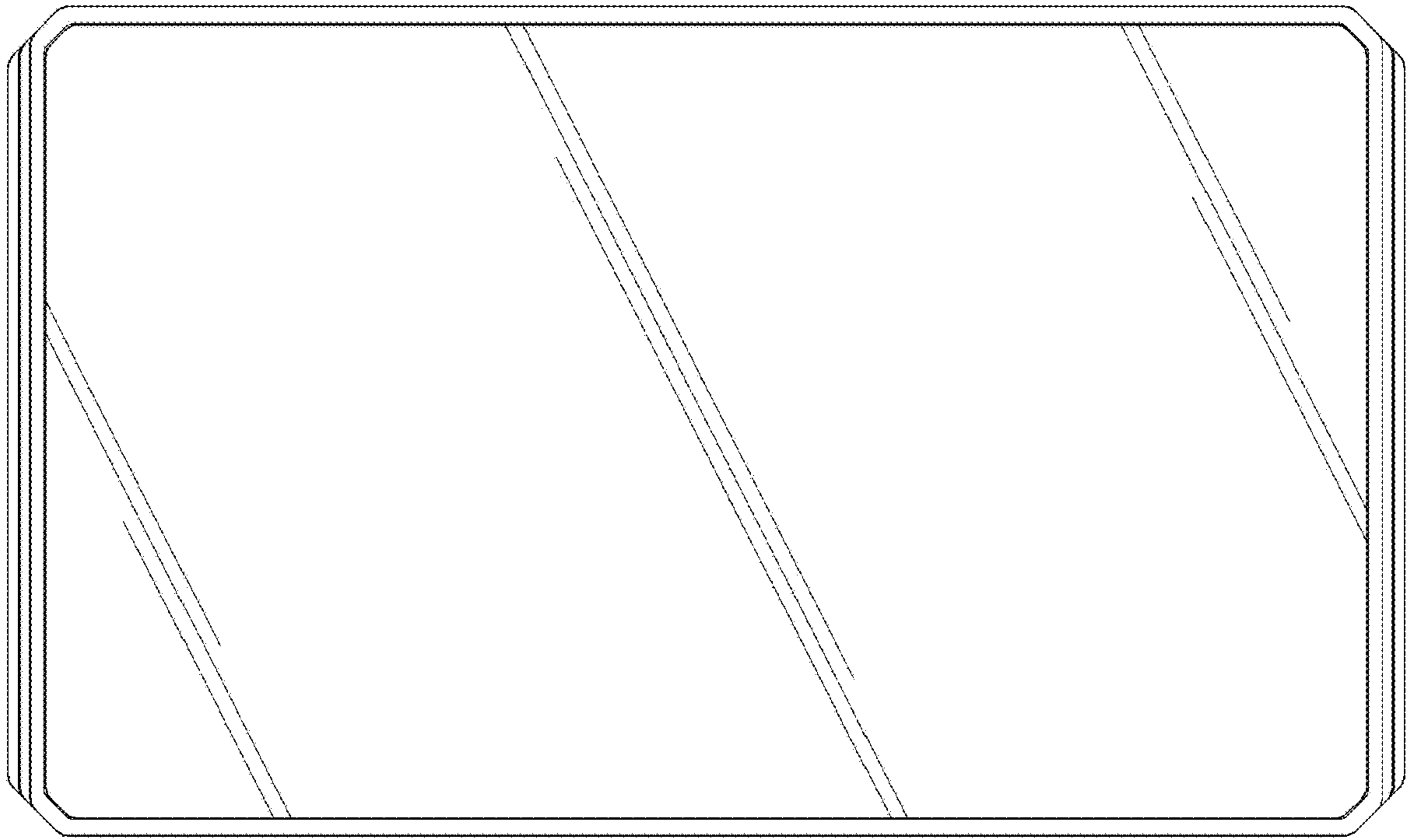


Fig. 3

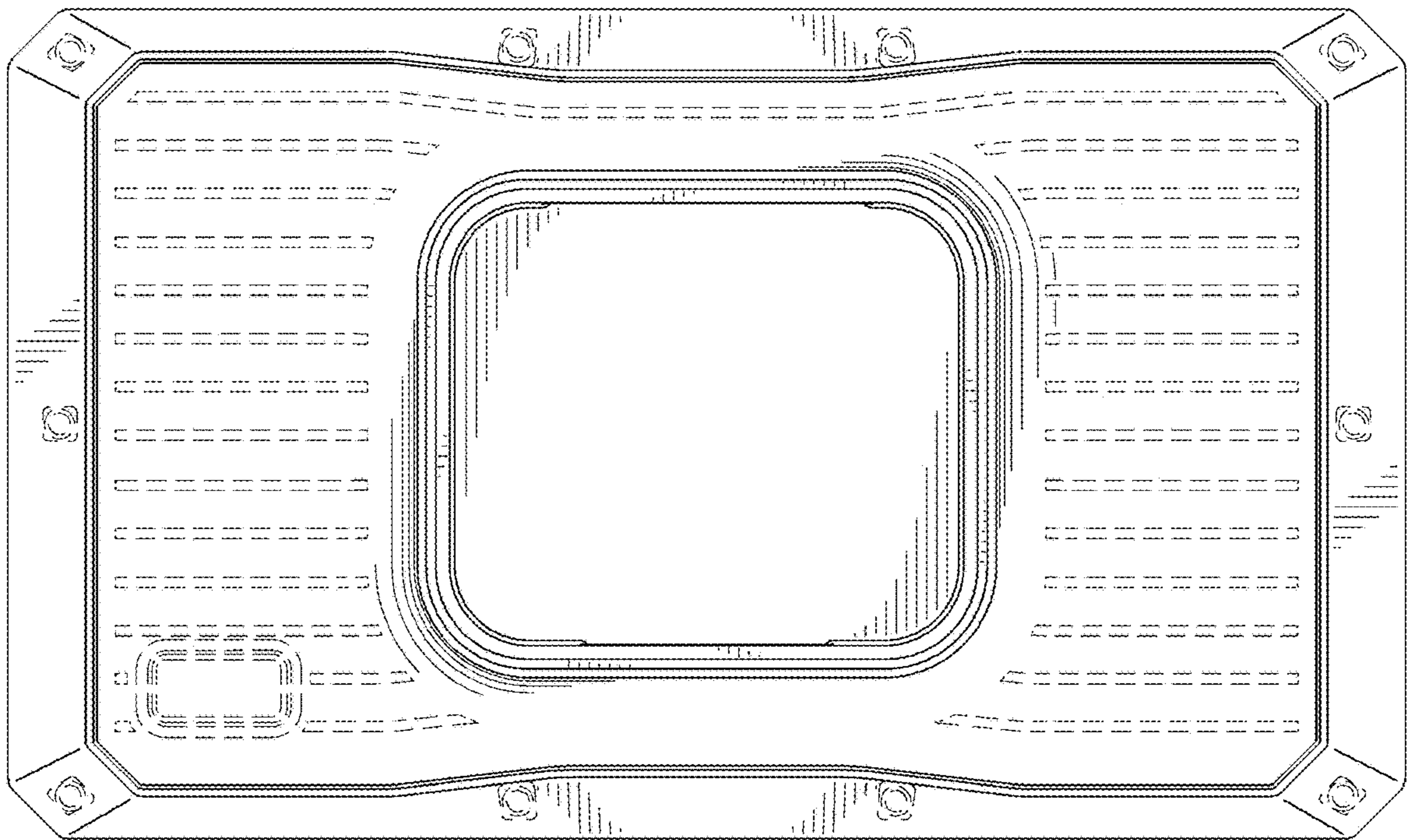


Fig. 4

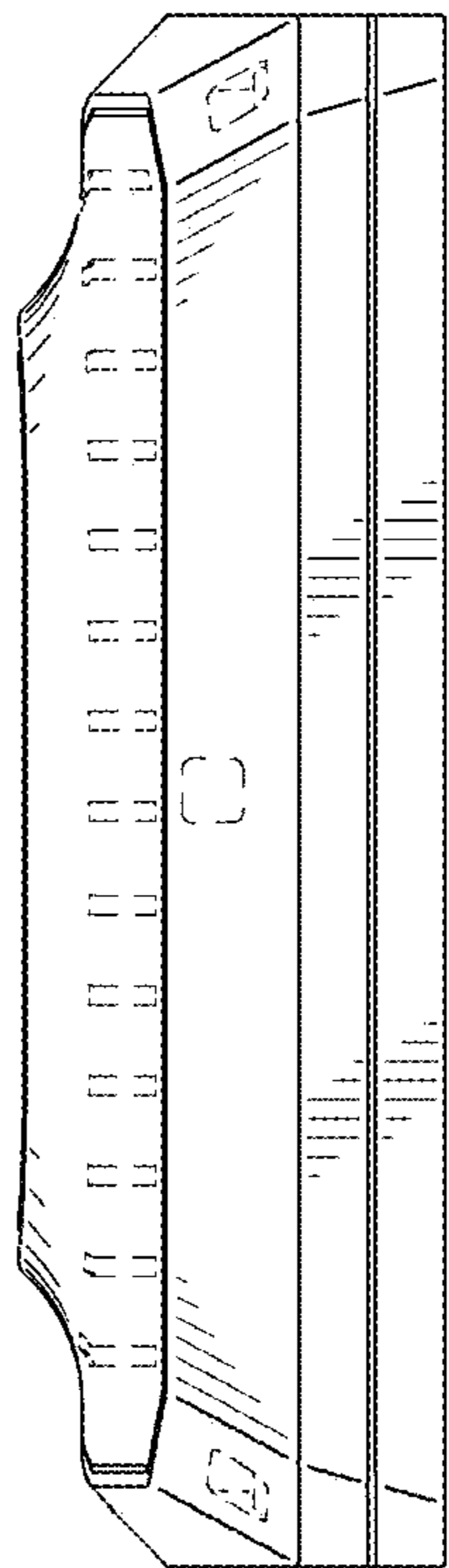


Fig. 5

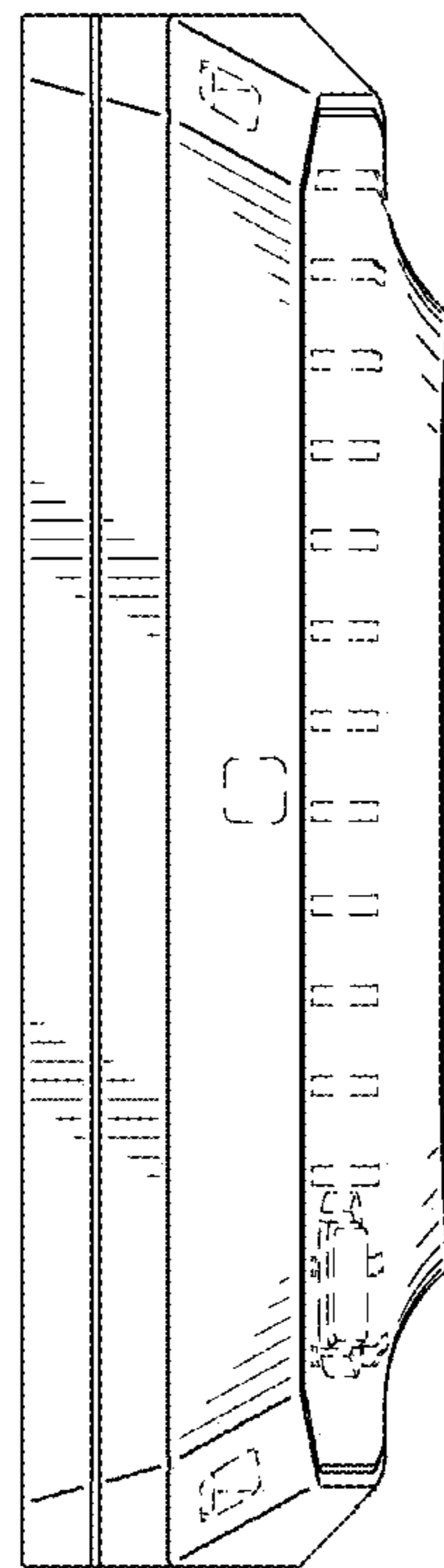


Fig. 6

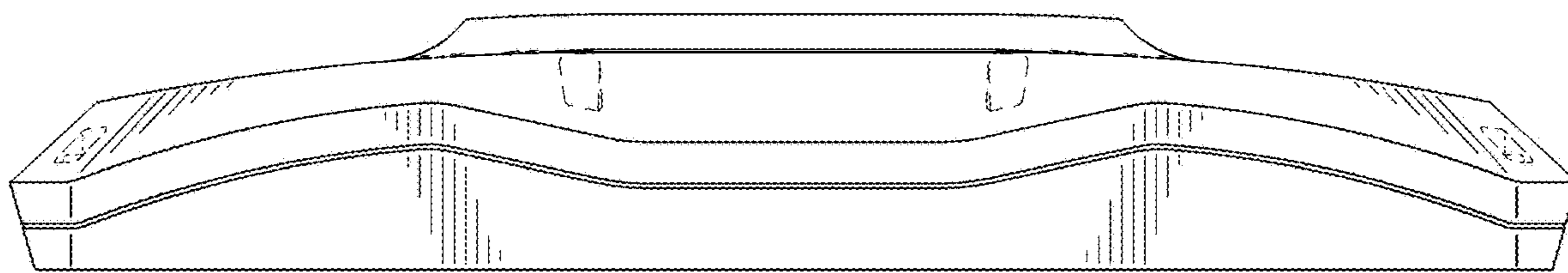


Fig. 7

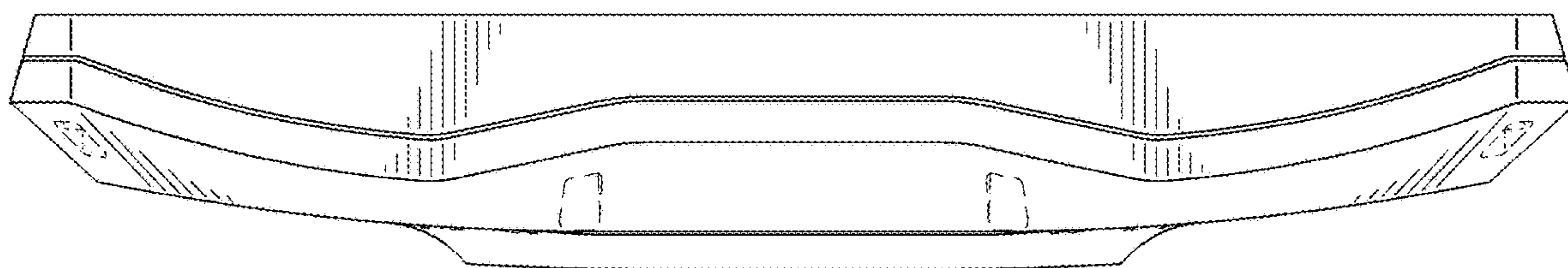


Fig. 8