



US00D947045S

(12) **United States Design Patent**  
**Baxter**

(10) **Patent No.:** **US D947,045 S**  
(45) **Date of Patent:** **\*\* Mar. 29, 2022**

(54) **CAP FOR A CONTAINER WITH A TEMPERATURE INDICATOR**

(71) Applicant: **Scarlo Pty Ltd**, Newtown (AU)

(72) Inventor: **Melinda Baxter**, Ocean Grove (AU)

(73) Assignee: **Scarlo Pty Ltd**, Newtown (AU)

(\*\*) Term: **15 Years**

(21) Appl. No.: **29/724,710**

(22) Filed: **Feb. 18, 2020**

(30) **Foreign Application Priority Data**

Sep. 3, 2019 (AU) ..... 201915050

(51) **LOC (13) Cl.** ..... **10-05**

(52) **U.S. Cl.**  
USPC ..... **D10/60; D10/103**

(58) **Field of Classification Search**  
USPC ..... D10/49-60, 81, 103; D9/435, 439;  
D7/510, 523  
CPC ..... B65D 1/0246; B65D 41/04; B65D 41/00;  
F01P 11/0247; F01P 2050/24; F01P 3/20;  
Y02T 10/70; B67B 3/20; G01W 1/02;  
G01W 1/00; G01J 5/0846; G01J 5/0265;  
G01J 5/0896; G01J 5/04; G01J 2005/068  
See application file for complete search history.

(56) **References Cited**

U.S. PATENT DOCUMENTS

- 2,815,879 A \* 12/1957 Hermes ..... A47J 41/0027  
215/12.1
- 2,866,338 A \* 12/1958 Muncheryan ..... B65D 79/02  
374/150
- D703,558 S \* 4/2014 Matusik ..... D10/96
- D790,999 S \* 7/2017 Haworth ..... D10/101
- 10,167,118 B1 \* 1/2019 Piscopo ..... B65D 1/0246
- D860,716 S \* 9/2019 Abante ..... D7/392.1

(Continued)

FOREIGN PATENT DOCUMENTS

- CN 304682706 \* 3/2018
- CN 306312595 \* 8/2020

(Continued)

OTHER PUBLICATIONS

Larq Store, Stainless Steel Water Bottle, Date first available Oct. 1, 2019, [online]retrieved Sep. 3, 2021,available from [https://www.amazon.com/LARQ-Bottle-Self-Cleaning-Purification-System/dp/B07YGV8R8QL/ref=sr\\_1\\_1\\_sspa?crid=2TYN4ARQDOVDK&dchild=1&key...](https://www.amazon.com/LARQ-Bottle-Self-Cleaning-Purification-System/dp/B07YGV8R8QL/ref=sr_1_1_sspa?crid=2TYN4ARQDOVDK&dchild=1&key...) (Year: 2019).\*

(Continued)

*Primary Examiner* — Keli L Hill

*Assistant Examiner* — Sara S Sahneh

(74) *Attorney, Agent, or Firm* — Rahman LLC

(57) **CLAIM**

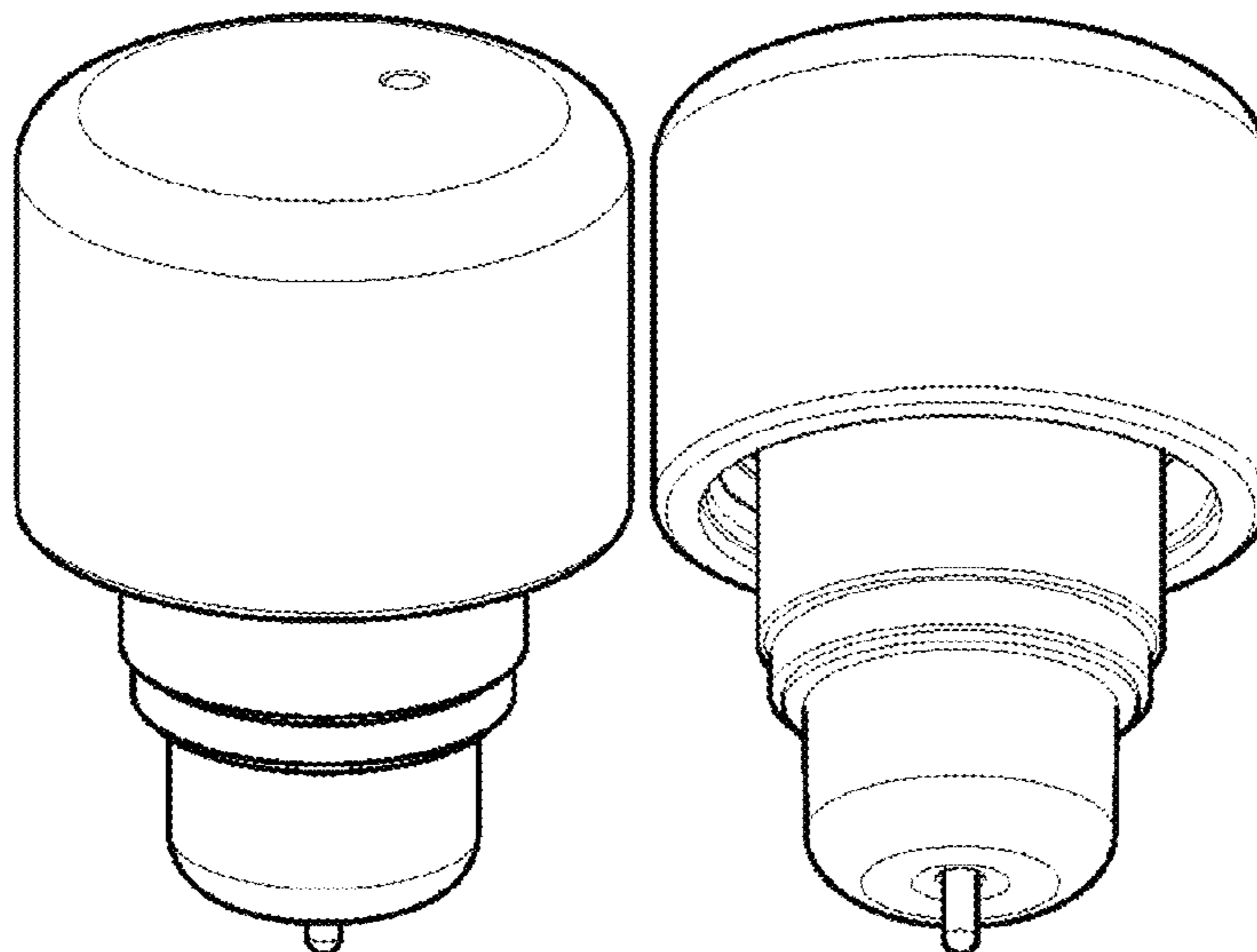
The ornamental design for a cap for a container with a temperature indicator, as shown and described.

**DESCRIPTION**

FIG. 1 is a front perspective view of a cap for a container with a temperature indicator of the claimed design; FIG. 2 is a rear perspective view of a cap for a container with a temperature indicator of the claimed design; FIG. 3 is a left-side view of a cap for a container with a temperature indicator of the claimed design; FIG. 4 is a right-side view of a cap for a container with a temperature indicator of the claimed design; FIG. 5 is a top view of a cap for a container with a temperature indicator of the claimed design; and, FIG. 6 is a bottom view of a cap for a container with a temperature indicator of the claimed design.

The broken lines shown in the views are included for the purpose of illustrating portions of the cap that form no part of the claimed design.

**1 Claim, 6 Drawing Sheets**



(56)

**References Cited**

U.S. PATENT DOCUMENTS

D906,805 S *	1/2021	Guduru .....	D9/439
D908,487 S *	1/2021	Xia .....	D9/439
2011/0147335 A1 *	6/2011	Garcia .....	B65D 39/0052
			215/230
2016/0185489 A1 *	6/2016	Garcia .....	B65D 39/0023
			215/227
2017/0297779 A1 *	10/2017	Im .....	B65D 51/2864
2017/0320611 A1 *	11/2017	Shen .....	B65D 41/04
2019/0152642 A1 *	5/2019	Farahani .....	B65D 1/0276

FOREIGN PATENT DOCUMENTS

KR	300788238.0000	*	10/2014
KR	300800071.0000	*	10/2014
KR	300969132.0000	*	5/2018
KR	301107453.0000	*	3/2020
WO	D045599-001	*	12/2012

OTHER PUBLICATIONS

Tylt Store, Power Bottle, Date first available Aug. 26, 2020, [online]retrieved Sep. 3, 2021 ,available from [https://www.amazon.com/TYLT-Power-Bottle-Insulated-Personal/dp/B08GRYCD7M/ref=sr\\_1\\_3?dchild=1&keywords=TYLT+Power+Bottle&qid=1630706236&sr=8-3](https://www.amazon.com/TYLT-Power-Bottle-Insulated-Personal/dp/B08GRYCD7M/ref=sr_1_3?dchild=1&keywords=TYLT+Power+Bottle&qid=1630706236&sr=8-3) (Year: 2020).\*

Larq Store, Bottle Movement PureVis, Date first available Oct. 30, 2020, [online]retrieved Sep. 3, 2021 ,available from [https://www.amazon.com/LARQ-Lightweight-Self-Cleaning-Non-Insulated-Stainless/dp/B00CWXP4ZO/ref=pd\\_sim\\_5/134-5564337-2927451?pd\\_rd\\_w=vd4gw&pf\\_rd\\_p=6caf1c3a-a843-4189-8efc-81b67e85dc96&pf](https://www.amazon.com/LARQ-Lightweight-Self-Cleaning-Non-Insulated-Stainless/dp/B00CWXP4ZO/ref=pd_sim_5/134-5564337-2927451?pd_rd_w=vd4gw&pf_rd_p=6caf1c3a-a843-4189-8efc-81b67e85dc96&pf) (Year: 2020).\*

Rai, Smart Water Bottles, Date first available Apr. 29, 2021, [online]retrieved Sep. 3, 2021, available from [https://www.amazon.com/Temperature-Display-Coffee-Insulated-Stainless-Flask17oz/dp/B08RN7Z4LZ/ref=sr\\_1\\_10?crid=3QW0GMILRTU9J&dchild=1&keywords=smart+bottle+water&qid=1630705402&sprefix=smart+bottle+](https://www.amazon.com/Temperature-Display-Coffee-Insulated-Stainless-Flask17oz/dp/B08RN7Z4LZ/ref=sr_1_10?crid=3QW0GMILRTU9J&dchild=1&keywords=smart+bottle+water&qid=1630705402&sprefix=smart+bottle+) (Year: 2021).\*

\* cited by examiner

FIG. 1

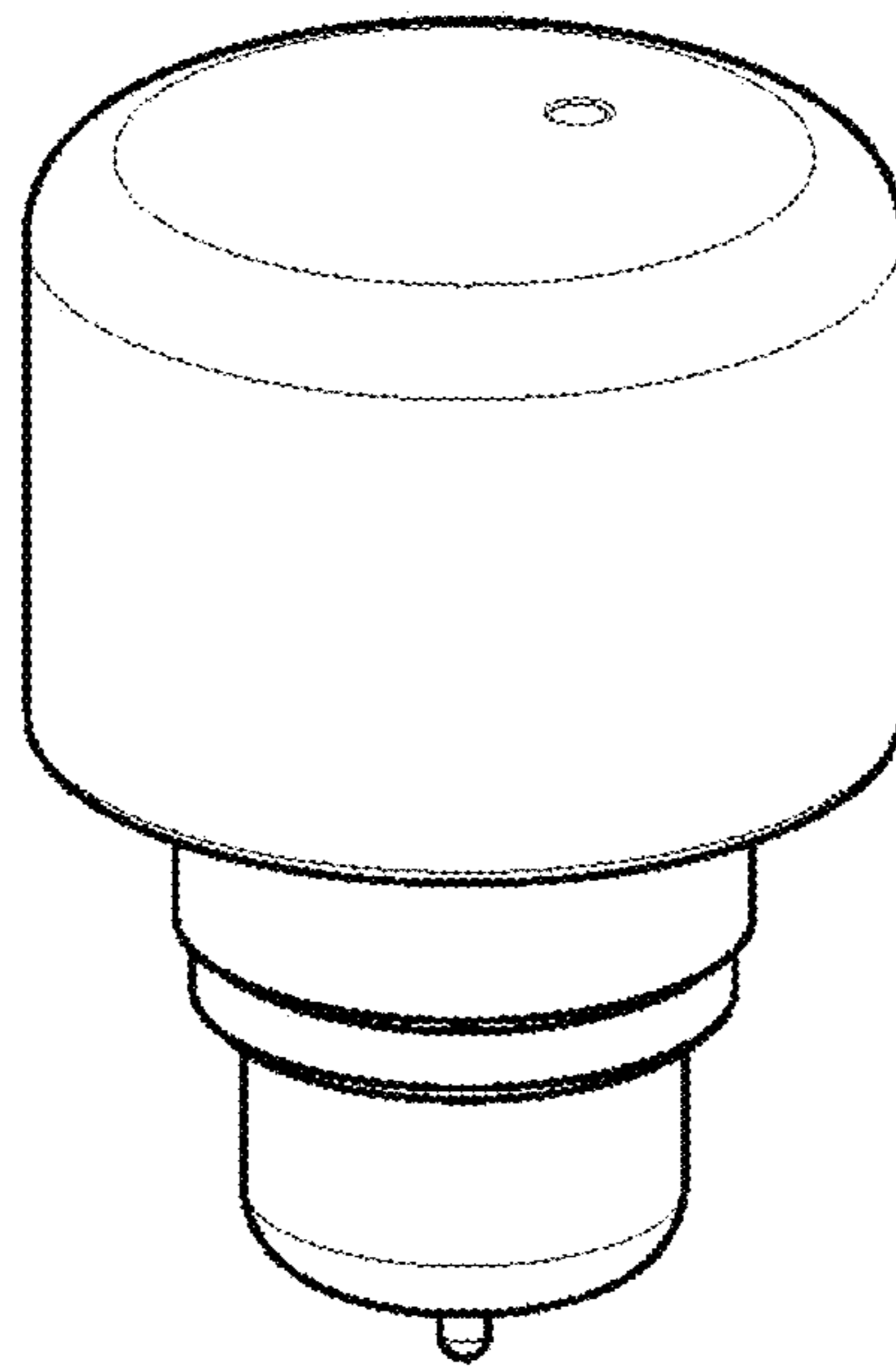


FIG. 2

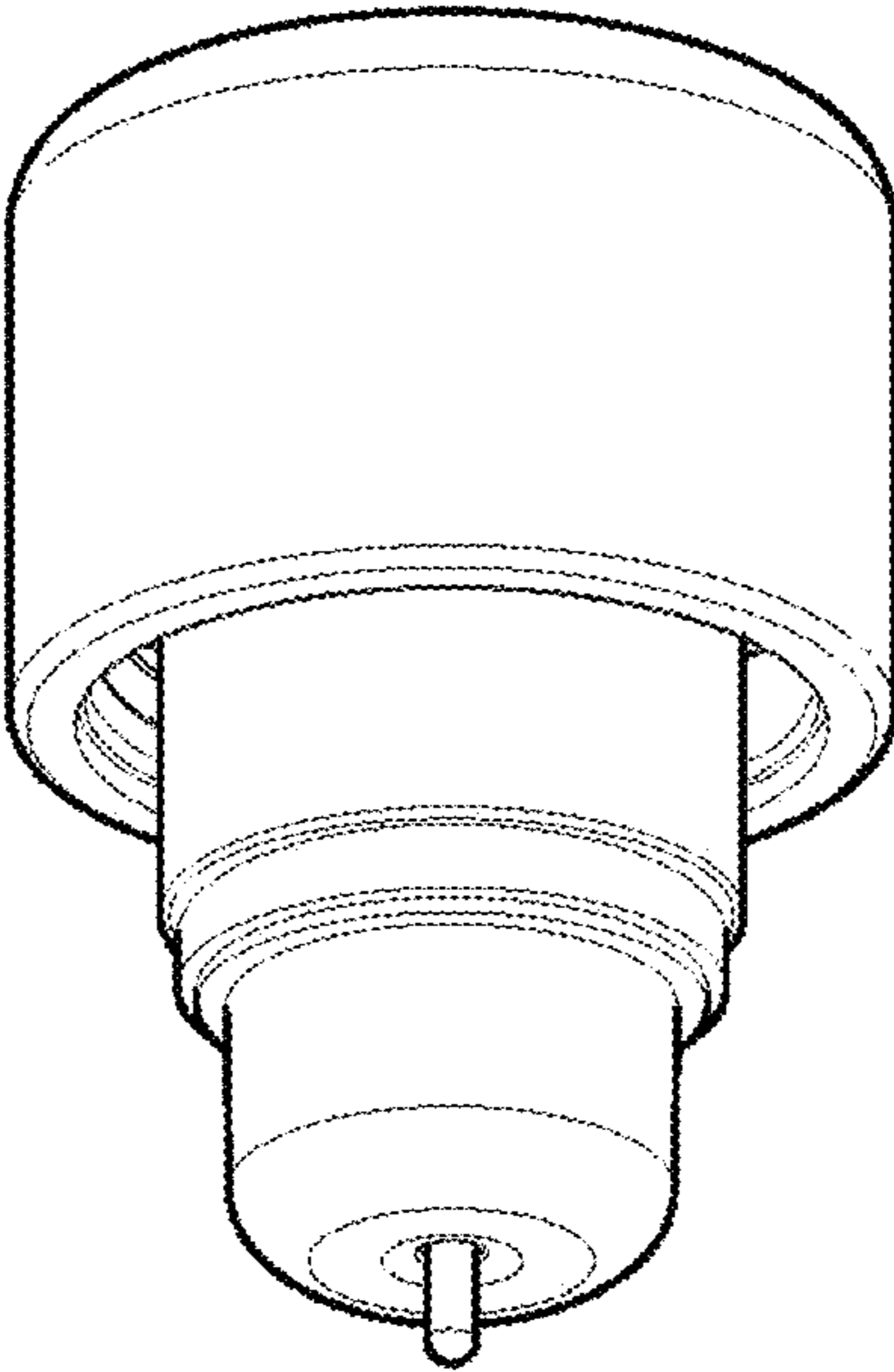


FIG. 3

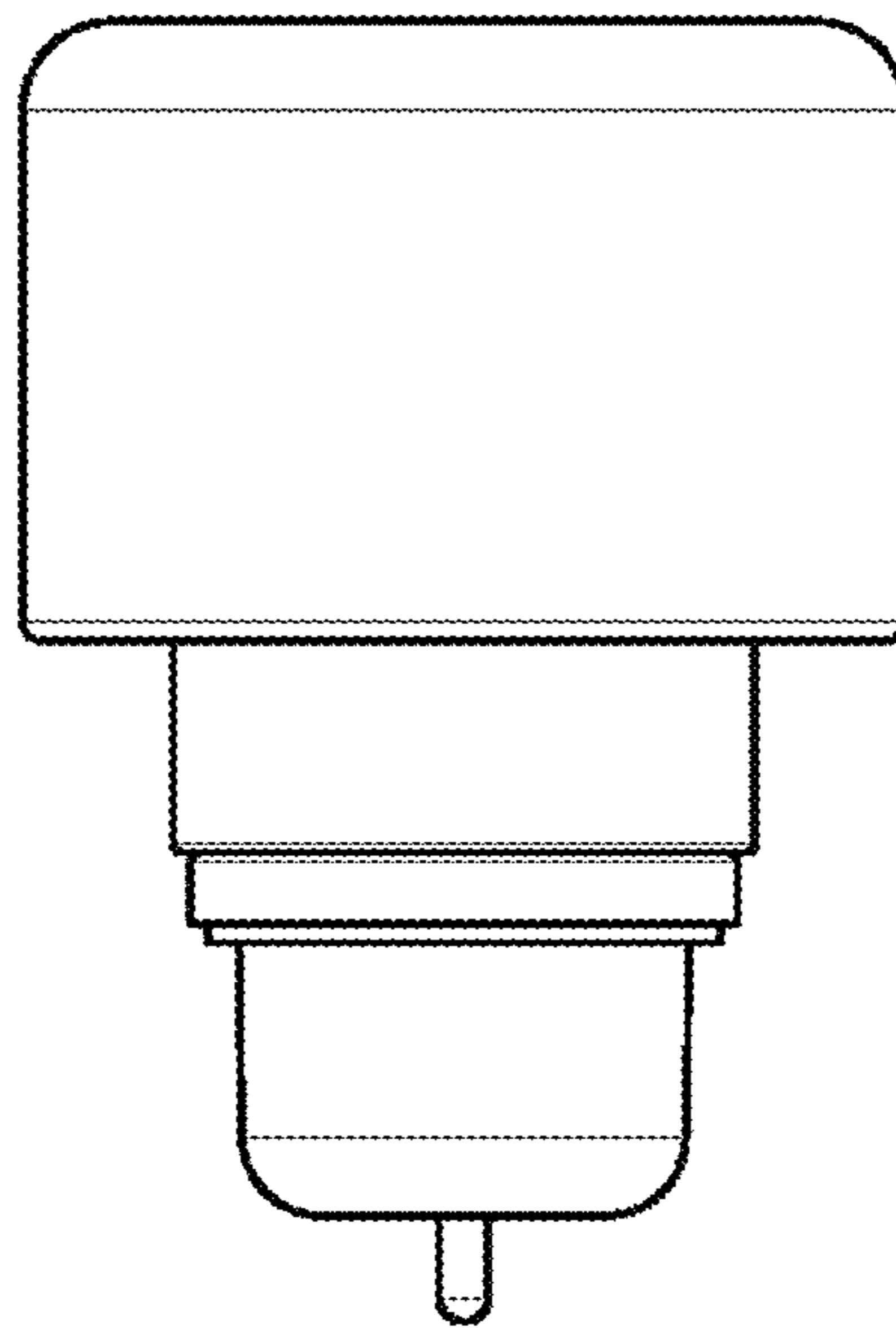


FIG. 4

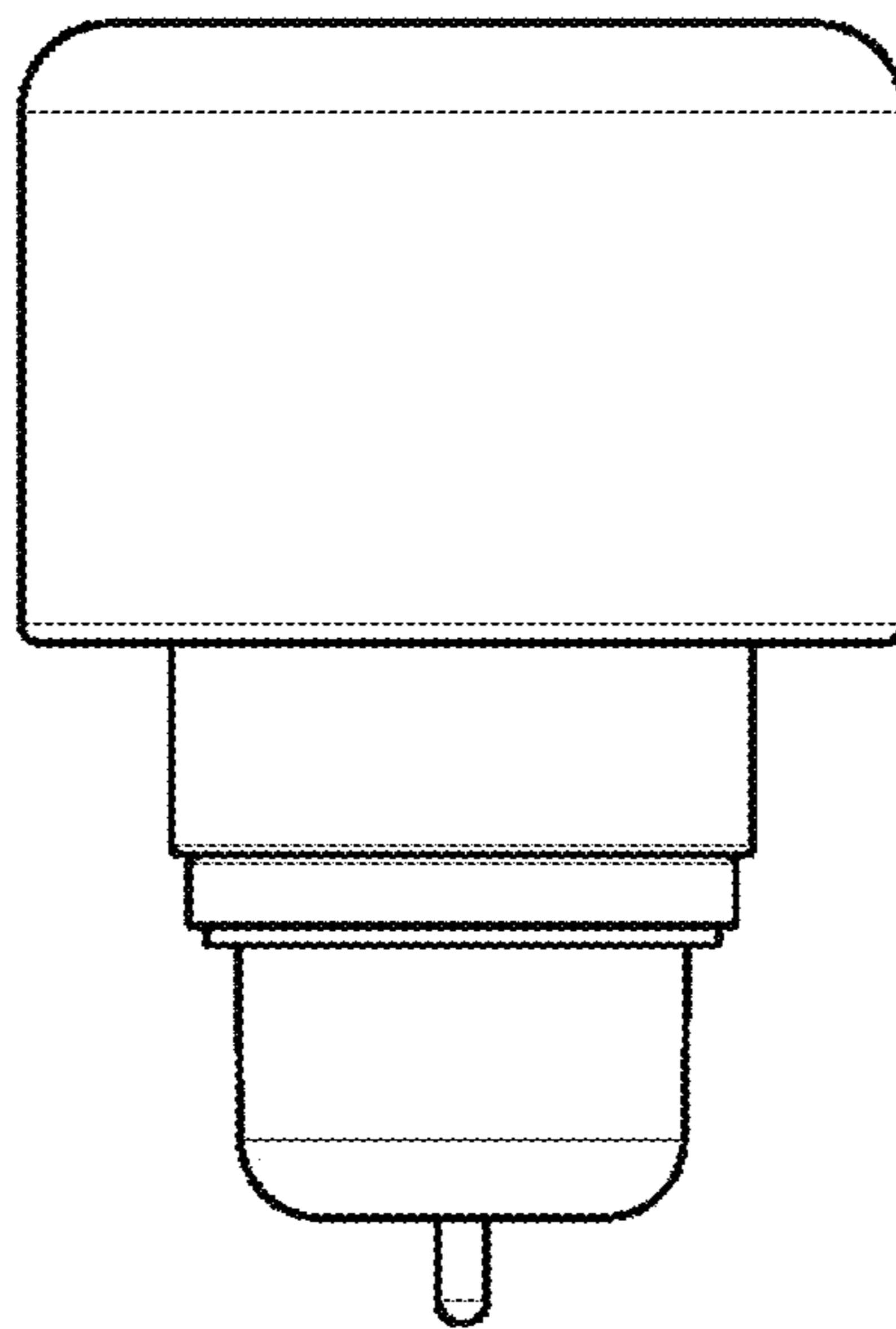


FIG. 5

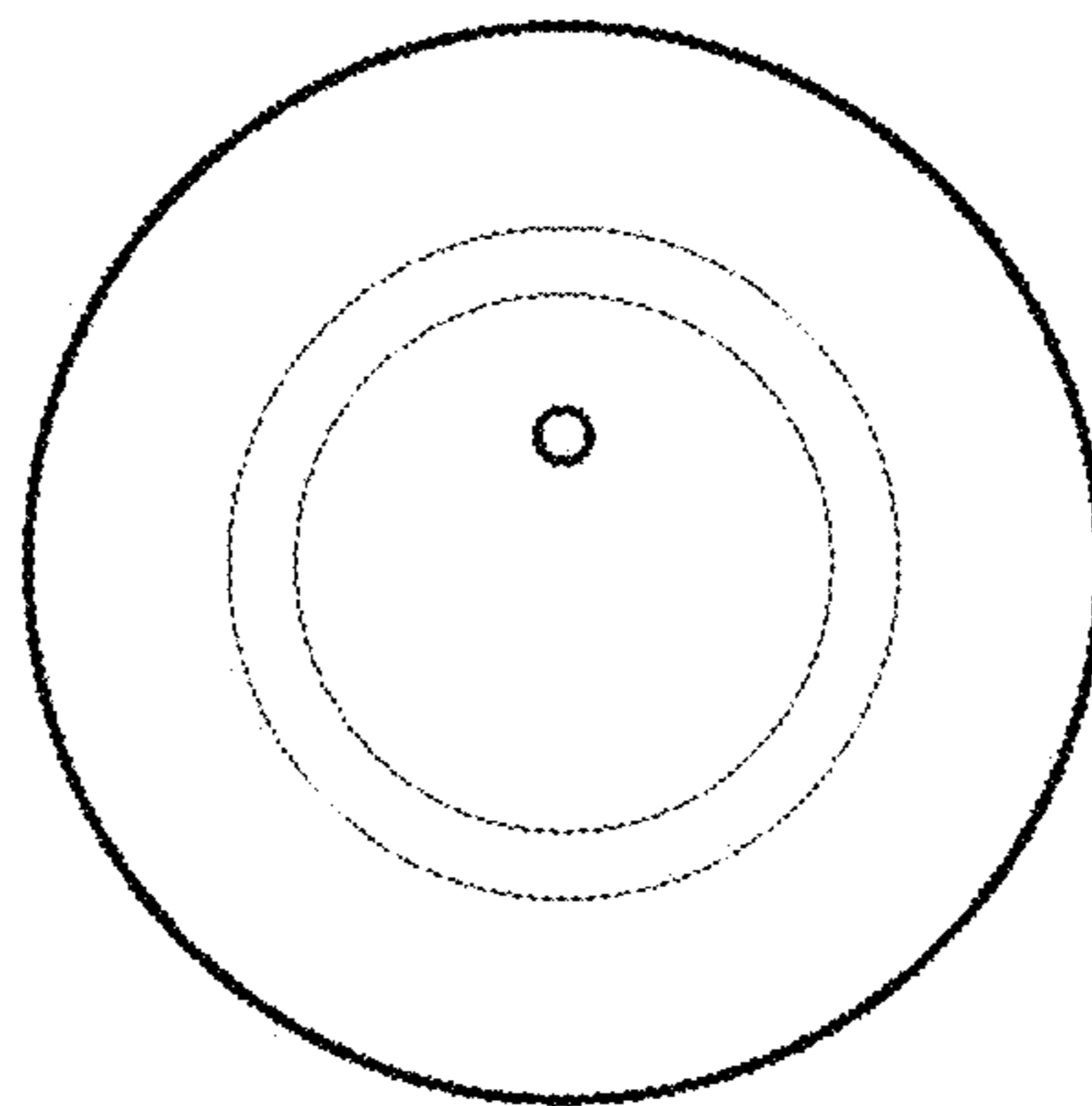


FIG. 6

