



US00D947043S

(12) **United States Design Patent**
Wu et al.

(10) **Patent No.:** **US D947,043 S**
(45) **Date of Patent:** **** Mar. 29, 2022**

- (54) **BARBECUE THERMOMETER**
- (71) Applicant: **Shenzhen Intellirocks Tech. Co., Ltd.**,
Shenzhen (CN)
- (72) Inventors: **Xiaoting Wu**, Shenzhen (CN);
Wenlong Wu, Shenzhen (CN)
- (**) Term: **15 Years**
- (21) Appl. No.: **29/759,358**
- (22) Filed: **Nov. 23, 2020**
- (51) **LOC (13) Cl.** **10-04**
- (52) **U.S. Cl.**
USPC **D10/57**
- (58) **Field of Classification Search**
USPC D10/46, 49–60, 81
CPC .. H04N 5/332; H04N 5/3651; H04N 21/2143;
H04N 21/42221; H04N 21/4516; H04N
21/4343; H04N 21/43637; G01J 5/0265;
G01J 5/021; G01J 5/048; G01J 5/028;
G01J 5/0011; G01K 1/024; G01K
2207/06; G01K 1/00; G01K 1/02; G01K
7/18; G01K 9/00; G01K 1/026; G01K
2207/02; G01K 7/427; G01K 15/00;
G01K 1/086; G01K 2207/00; A61F
2007/0096; A41D 19/0027; A61D 13/00;
G04B 47/068; G04B 47/008; G04B
47/06; A47J 43/288; A61B 5/01; A61B
5/6817; G07C 1/00; H04W 84/12; G06F
3/04847; G05D 23/1902; G05D 23/1917;
F24F 2221/32
See application file for complete search history.

- (56) **References Cited**
U.S. PATENT DOCUMENTS
D729,216 S * 5/2015 Peng D14/240
D732,512 S * 6/2015 Fariello D14/230
D758,217 S * 6/2016 Kumfer D10/50
D786,803 S * 5/2017 Kim D13/168
D802,450 S * 11/2017 Boynton D10/50
D815,626 S * 4/2018 Clover D14/242
D841,492 S * 2/2019 Liu D10/57

D841,493 S * 2/2019 Liu D10/57
D863,990 S * 10/2019 Hu D10/52
(Continued)

FOREIGN PATENT DOCUMENTS

CN 302605445 * 5/2013
CN 304144515 * 12/2016
(Continued)

OTHER PUBLICATIONS

ThermoPro 500ft Long Range Bluetooth Meat Thermometer, Date first available Sep. 25, 2020, [online]retrieved Aug. 10, 2021, available from https://www.amazon.com/dp/B08K2G5Y78/ref=sspa_dk_detail_0?psc=1&spLa=ZW5jcnlwdGVkUXVhbGlmaWVyPUEyMEtPVU8wRVdOWU1ZJmVuY3J5cHRIZEIkPUExMDE1MjM0NIA0JmVuY3J5cHRIZEFkSWQ9 (Year: 2020).*
(Continued)

Primary Examiner — Keli L Hill
Assistant Examiner — Sara S Sahneh

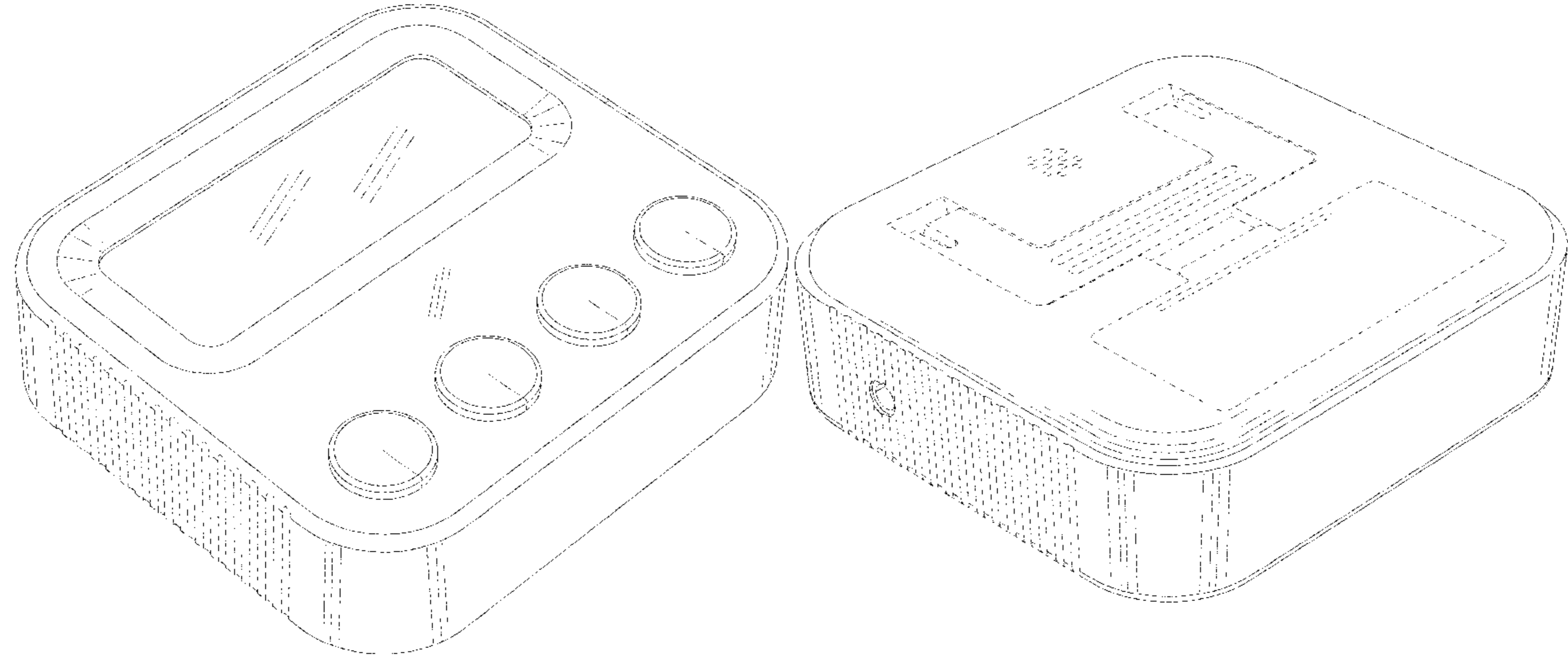
(57) **CLAIM**

The ornamental design for a barbecue thermometer, as shown and described.

DESCRIPTION

FIG. 1 is a front view of a barbecue thermometer showing our new design;
FIG. 2 is a rear view thereof;
FIG. 3 is a left side view thereof;
FIG. 4 is a right side view thereof;
FIG. 5 is a top plan view thereof;
FIG. 6 is a bottom plan view thereof;
FIG. 7 is a front perspective view thereof;
FIG. 8 is a rear perspective view thereof;
FIG. 9 is a perspective view thereof, showing the barbecue thermometer in operation status; and,
FIG. 10 is another perspective view thereof, showing the barbecue thermometer in operation status.
The broken lines are shown for the purpose of illustrating portions of the barbecue thermometer and forms no part of the claimed design.

1 Claim, 10 Drawing Sheets



(56)

References Cited

U.S. PATENT DOCUMENTS

D885,943 S * 6/2020 Yu D10/57
 D891,949 S * 8/2020 Yi D10/57
 D899,277 S * 10/2020 Wang D10/57
 D906,275 S * 12/2020 Zhang D14/172

FOREIGN PATENT DOCUMENTS

CN 304358509 * 11/2017
 CN 007002183-0002 * 4/2019
 EM 006538070-0011 * 5/2019
 GB 6110190 * 12/2020
 KR 301105288.0000 * 2/2021

OTHER PUBLICATIONS

Soraken, Wireless Meat Thermometer, Date first available Jan. 16, 2019, [online]retrieved Aug. 10, 2021, available from https://www.amazon.com/dp/B07MVK5JK/ref=sspa_dk_detail_4?psc=1&smid=A1TDNN0FBSQBQJ&spLa=ZW5jcnlwdGVkUXVhbGlmaWVyPUEzMEc5WFRaRUE1OVFMJmVuY3J5cHRIZElkPUExMDQ4NTY0MkJWWUEzOUtYU09GSSZlbnNyeX (Year: 2019).*

amazon.com/dp/B07MVK5JK/ref=sspa_dk_detail_4?psc=1&smid=A1TDNN0FBSQBQJ&spLa=ZW5jcnlwdGVkUXVhbGlmaWVyPUEzMEc5WFRaRUE1OVFMJmVuY3J5cHRIZElkPUExMDQ4NTY0MkJWWUEzOUtYU09GSSZlbnNyeX (Year: 2019).*

Inkbird Store, WiFi Grill Thermometer, Date first available Nov. 26, 2019, [online]retrieved Aug. 10, 2021, available from https://www.amazon.com/dp/B0821G4KXX/ref=sspa_dk_detail_8?psc=1&spLa=ZW5jcnlwdGVkUXVhbGlmaWVyPUEyQjEyT1o3MUVOQ0dUJmVuY3J5cHRIZElkPUEwNzMzMjkyMkRlSUZS083WEQzSyZlbnNyeXB0ZWZlbnNyeX (Year: 2019).*

Habor, Digital Meat Thermomete, Date first available Jun. 12, 2019, [online]retrieved Jul. 9, 2021, available from https://www.amazon.com/dp/B088D9TRXB/ref=sspa_dk_detail_5?psc=1&pd_rd_i=B088D9TRXB&pd_rd_w=9x6G5&pf_rd_p=eff89026-4a7e-4247-9014-41bfd9dafc0&pd_rd_wg=q1BdO&pf_rd_r=NHZMDBEMDEZJHJRY9AQ&pd (Year: 2019).*

* cited by examiner

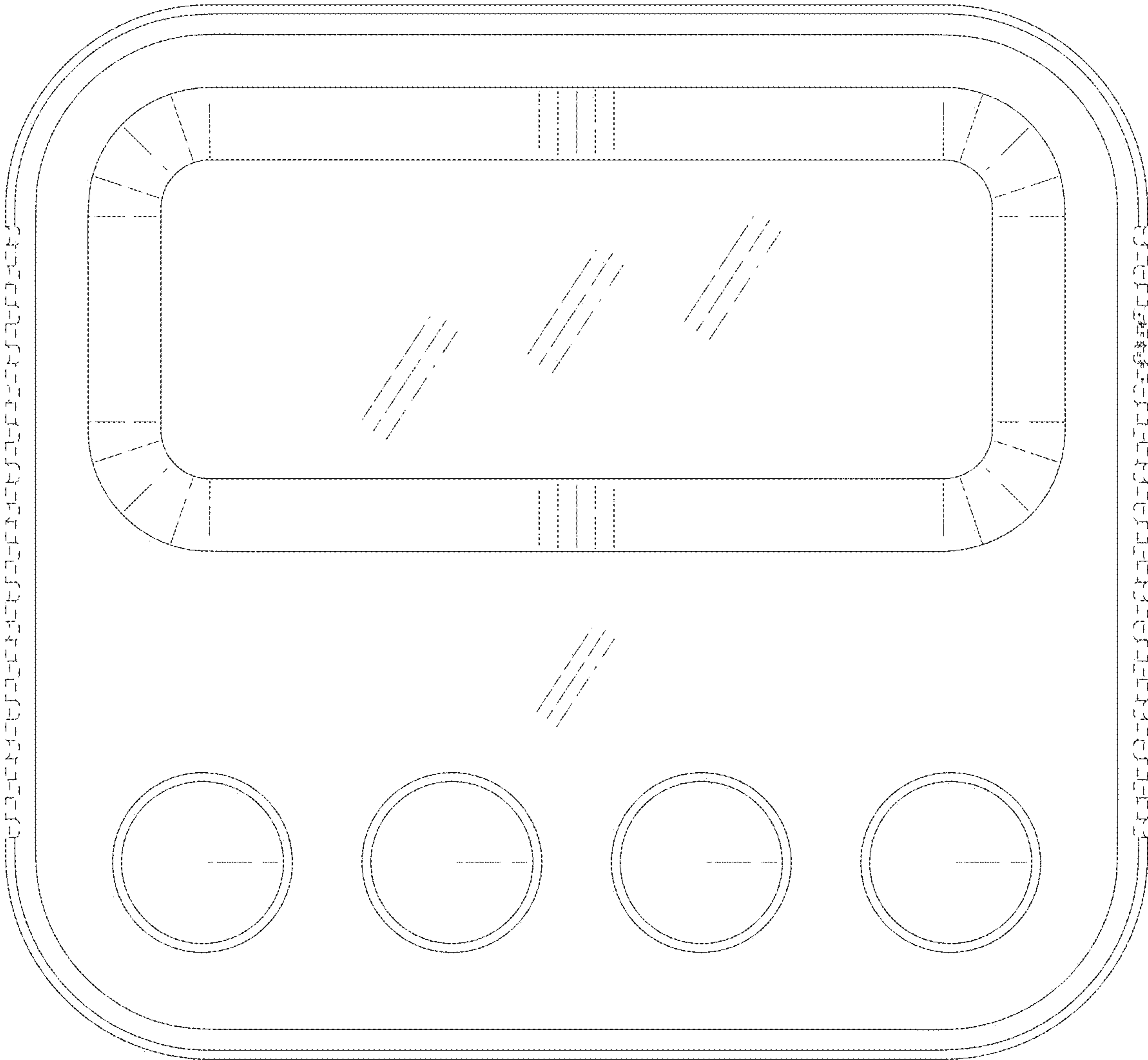


FIG. 1

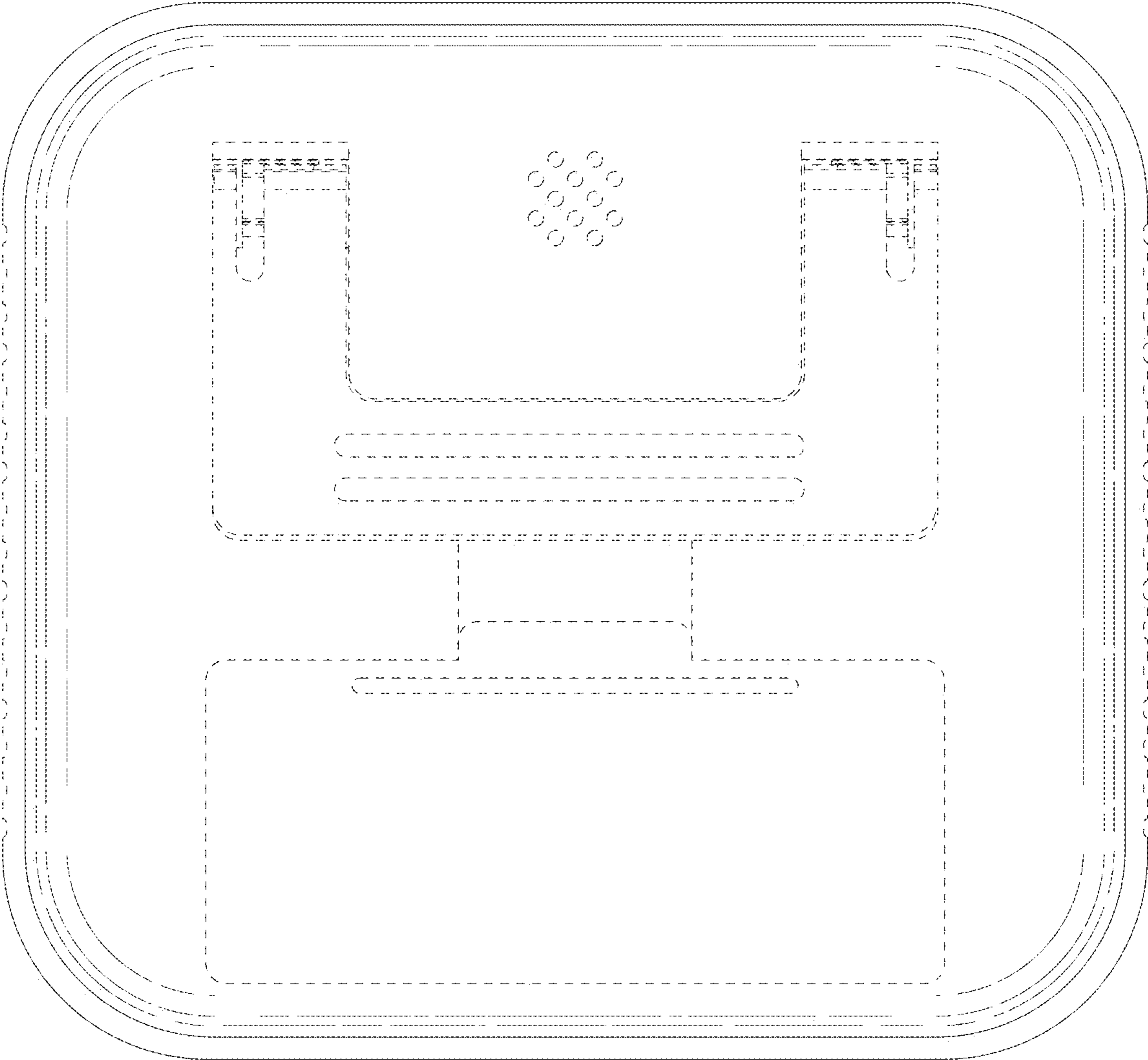


FIG. 2

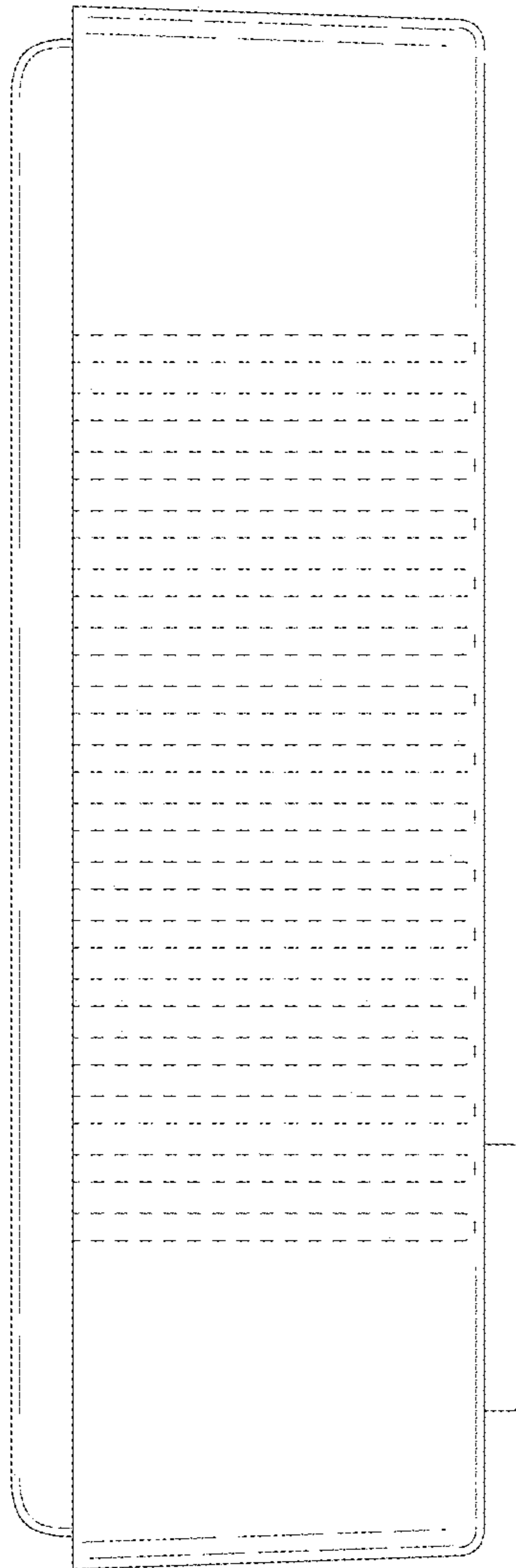


FIG. 3

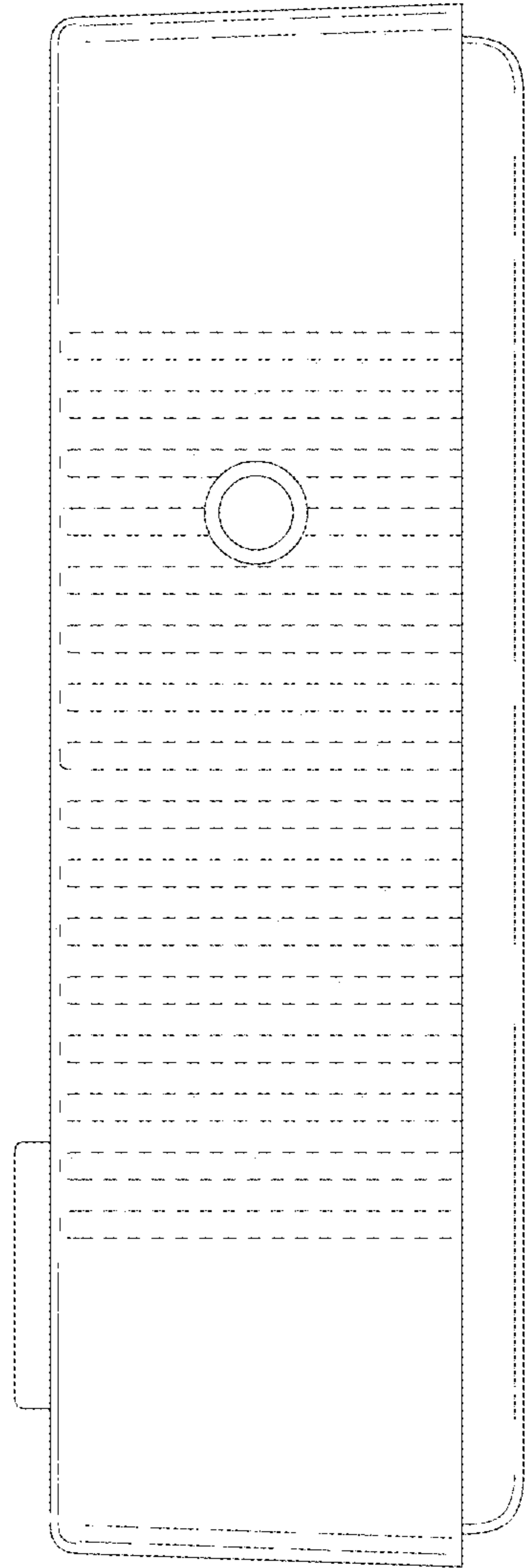


FIG. 4

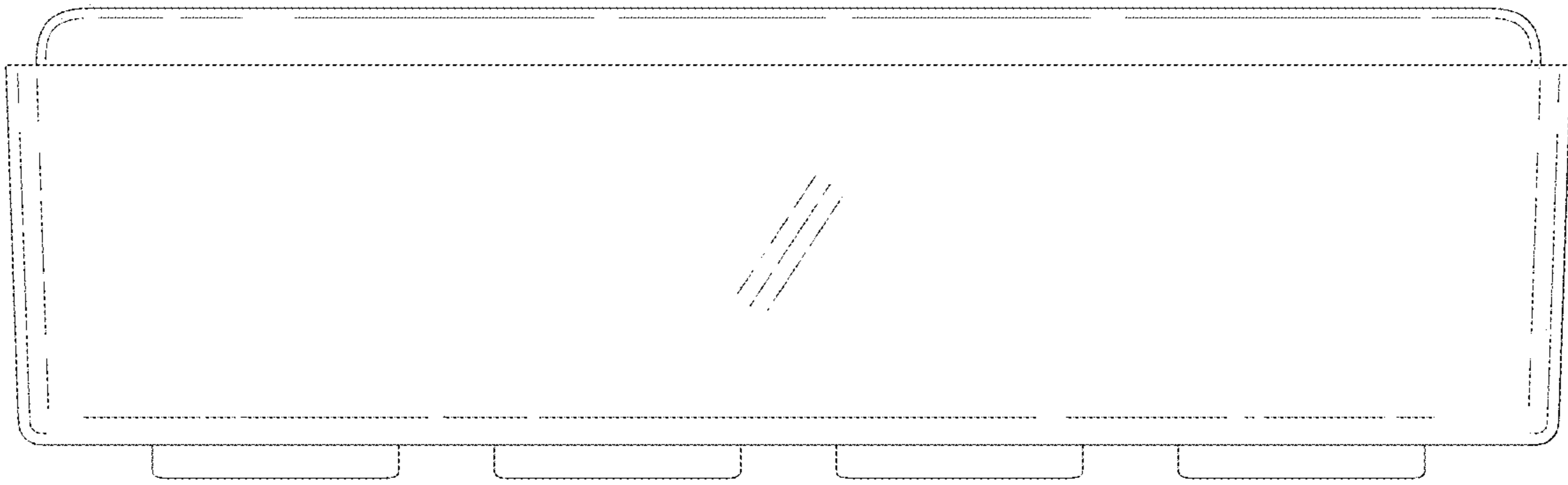


FIG. 5

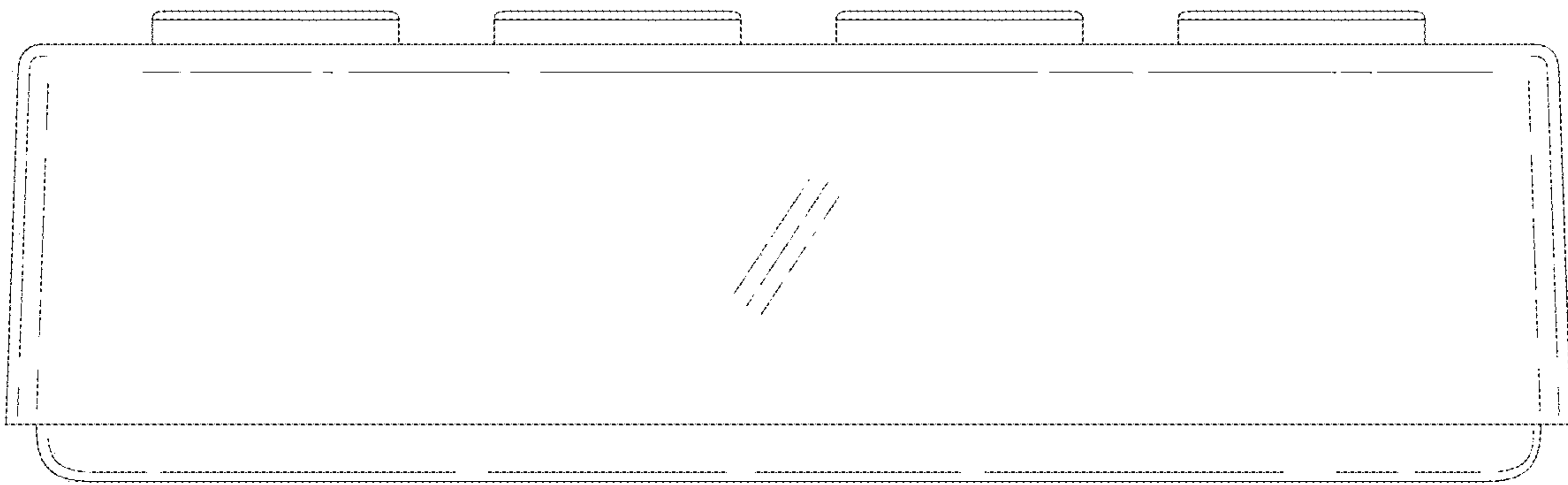


FIG. 6

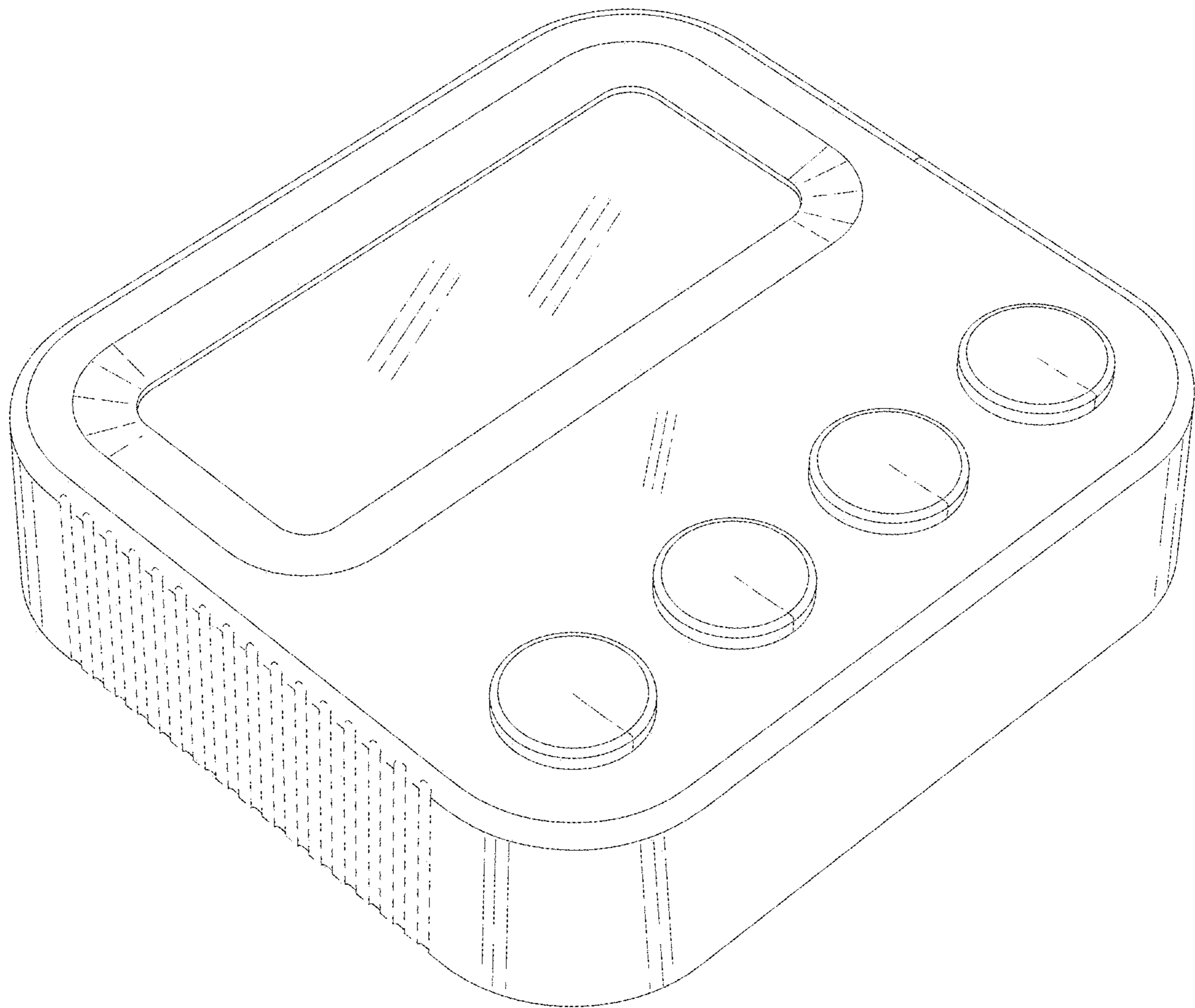


FIG. 7

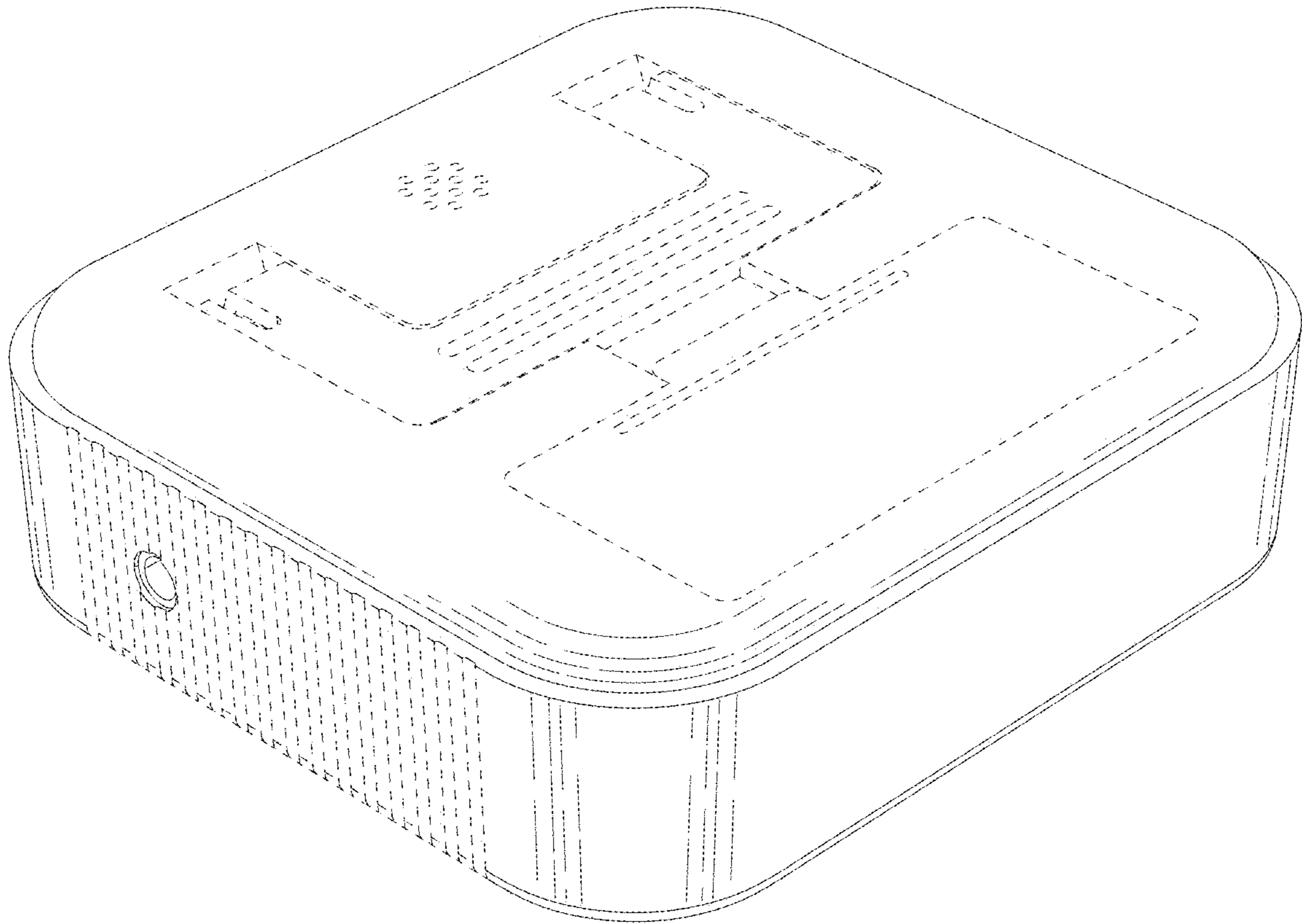


FIG. 8

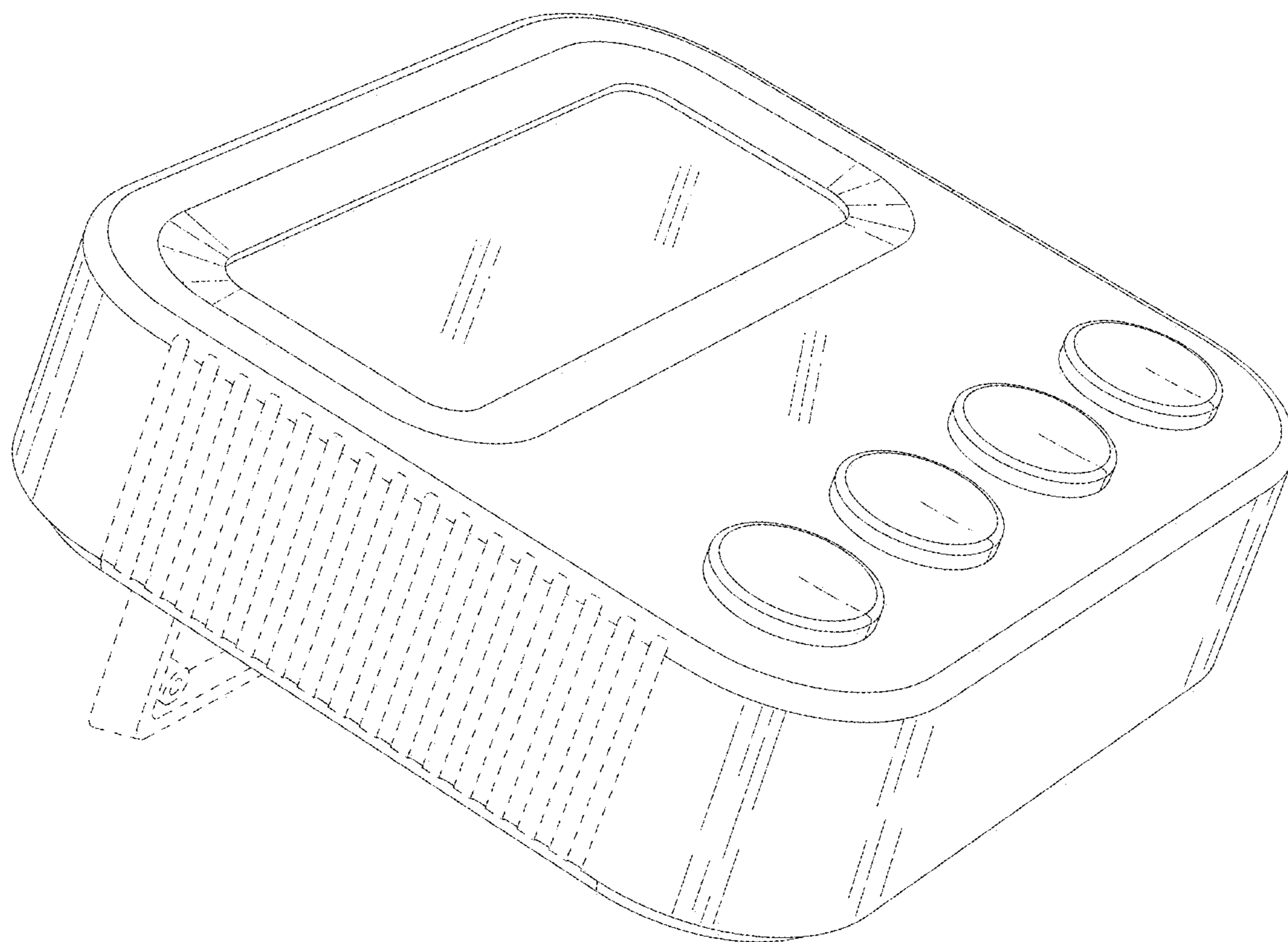


FIG. 9

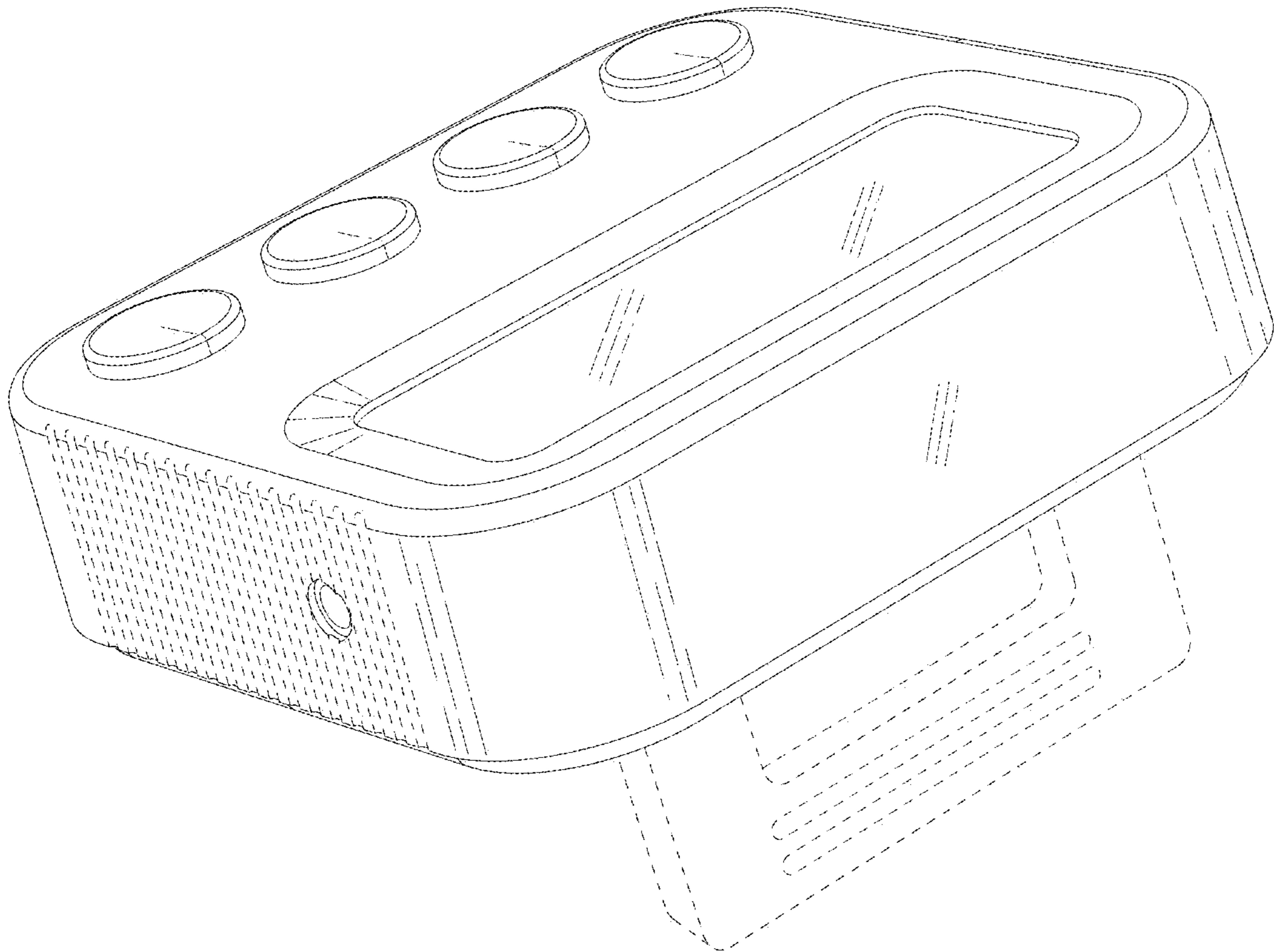


FIG. 10