

US00D947042S

(12) **United States Design Patent**
Park et al.

(10) **Patent No.:** **US D947,042 S**
(45) **Date of Patent:** **** Mar. 29, 2022**

(54) **SMART POLE WITH AIR QUALITY INDICATOR**

(71) Applicant: **LG ELECTRONICS INC.**, Seoul (KR)

(72) Inventors: **Jaeyong Park**, Seoul (KR); **Miju Kim**, Seoul (KR); **Junhee Yeo**, Seoul (KR)

(73) Assignee: **LG ELECTRONICS INC.**, Seoul (KR)

(**) Term: **15 Years**

(21) Appl. No.: **29/730,940**

(22) Filed: **Apr. 9, 2020**

(30) **Foreign Application Priority Data**

Nov. 28, 2019 (KR) 30-2019-0057443

(51) **LOC (13) Cl.** **10-04**

(52) **U.S. Cl.**

USPC **D10/52**

(58) **Field of Classification Search**

USPC D10/52, 60

CPC G01N 1/2273; G01N 2001/2276; G01N 2001/2279; G01N 7/00; G01N 7/02; G01N 7/04; G01N 7/06; G01N 7/08; G01N 7/10; G01N 7/12; G01N 7/14; G01N 7/16; G01N 7/18; G01N 7/20; G01N 7/22; G01N 1/22-1/2294; G01N 2001/2217-2001/2297; G01N 25/56; G01N 27/122; G01N 33/004-33/0075; H04B 17/23

See application file for complete search history.

(56) **References Cited**

U.S. PATENT DOCUMENTS

5,322,612 A * 6/1994 Abe G01N 33/04
204/416
D412,452 S * 8/1999 Chan G01N 33/04
D10/81
D443,838 S * 6/2001 Kleiman F42B 10/64
D10/60
9,964,386 B2 * 5/2018 Teetzel F42B 10/64
D875,571 S * 2/2020 Hernandez D10/52

* cited by examiner

Primary Examiner — Antoine Duval Davis

(74) *Attorney, Agent, or Firm* — Birch, Stewart, Kolasch & Birch, LLP

(57) **CLAIM**

We claim the ornamental design for a smart pole with air quality indicator, as shown and described.

DESCRIPTION

FIG. 1 is a perspective view of a smart pole with air quality indicator showing the new design;
FIG. 2 is a front elevation view thereof;
FIG. 3 is a rear elevation view thereof;
FIG. 4 is a left-side elevation view thereof;
FIG. 5 is a right-side elevation view thereof;
FIG. 6 is a top plan view thereof;
FIG. 7 is a bottom plan view thereof; and,
FIG. 8 is a perspective view in a state of use thereof.
Broken lines illustrate environmental condition only and form no part of the claimed design.

1 Claim, 8 Drawing Sheets

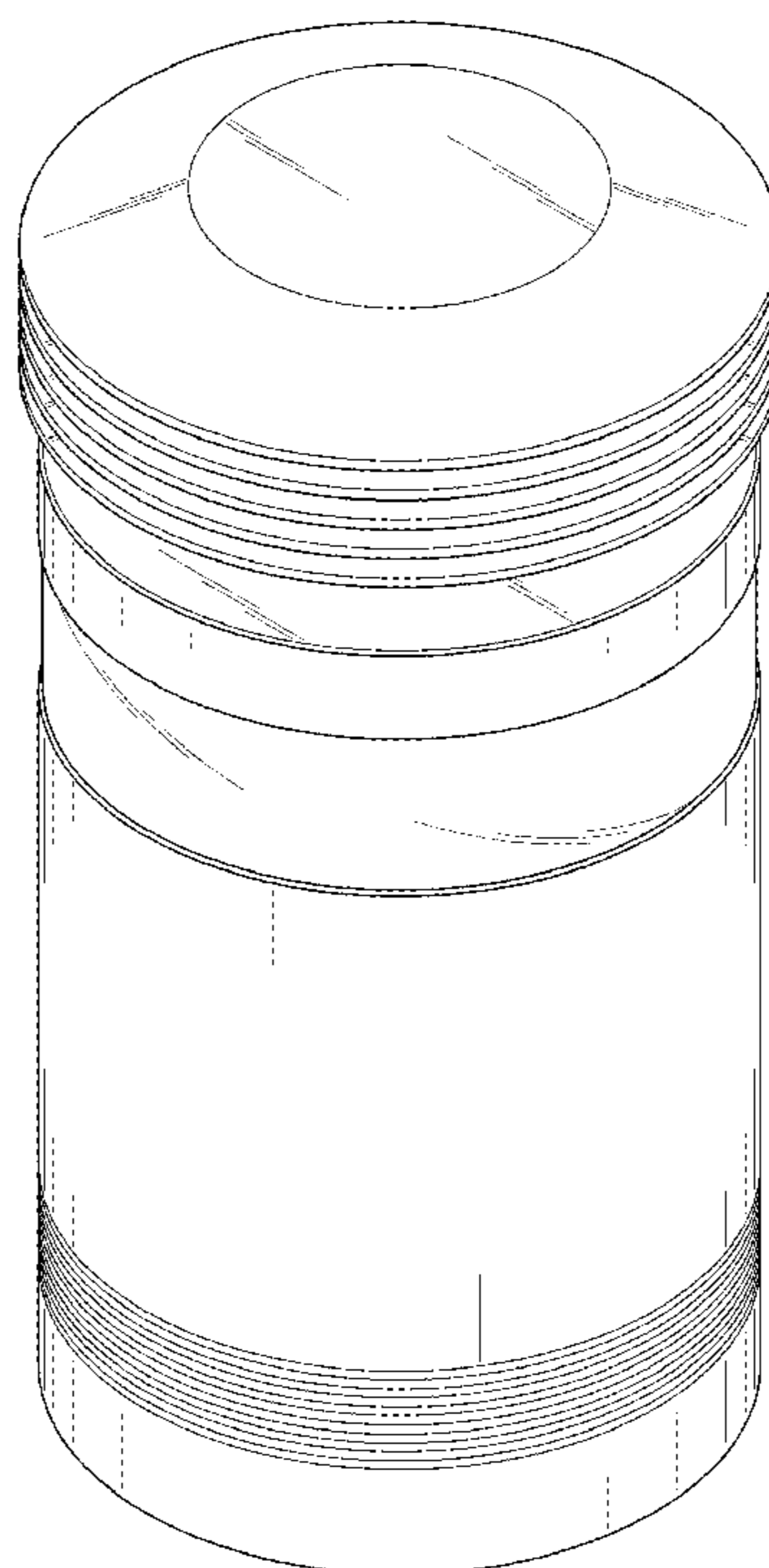


FIG. 1

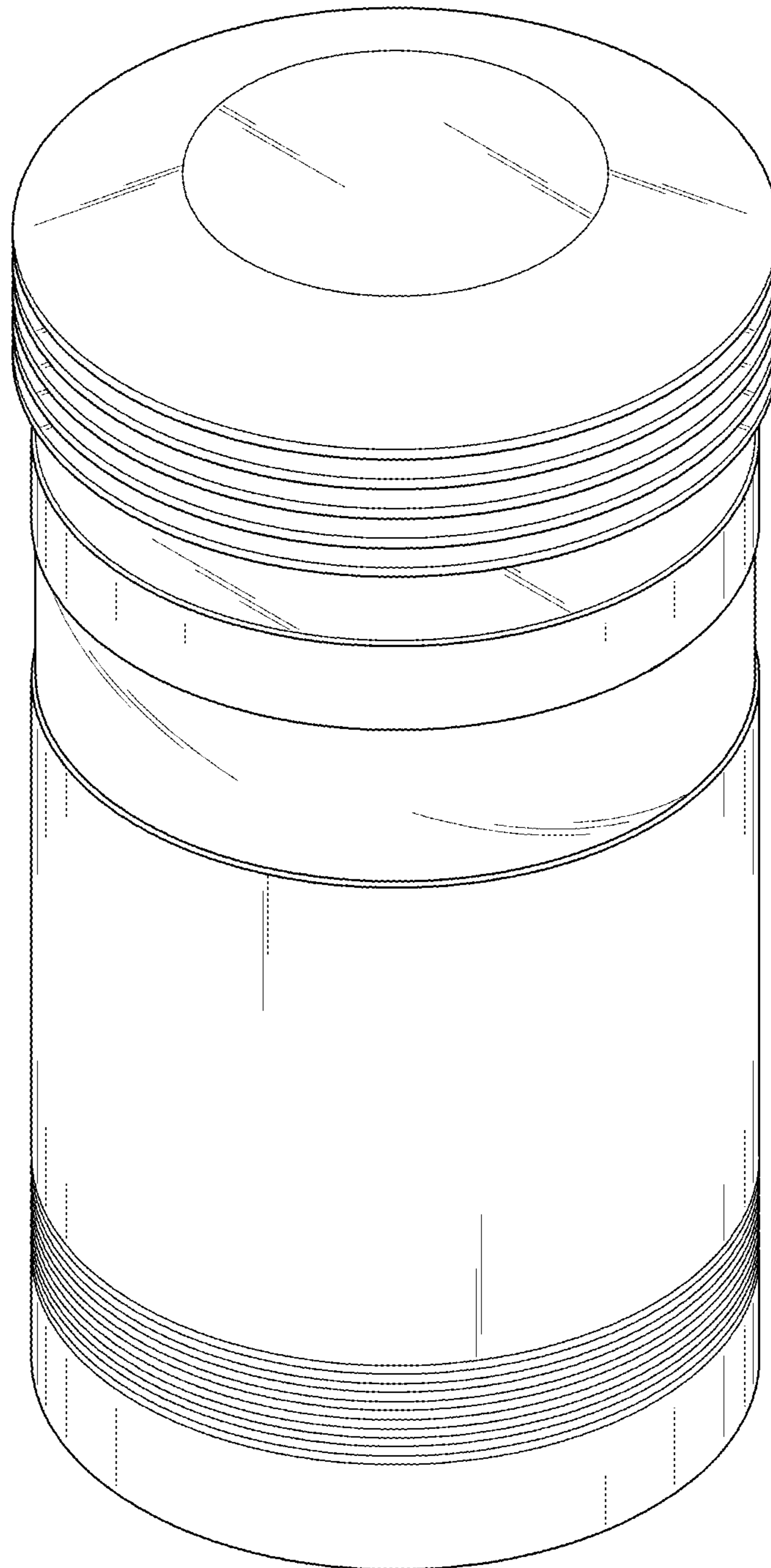


FIG. 2

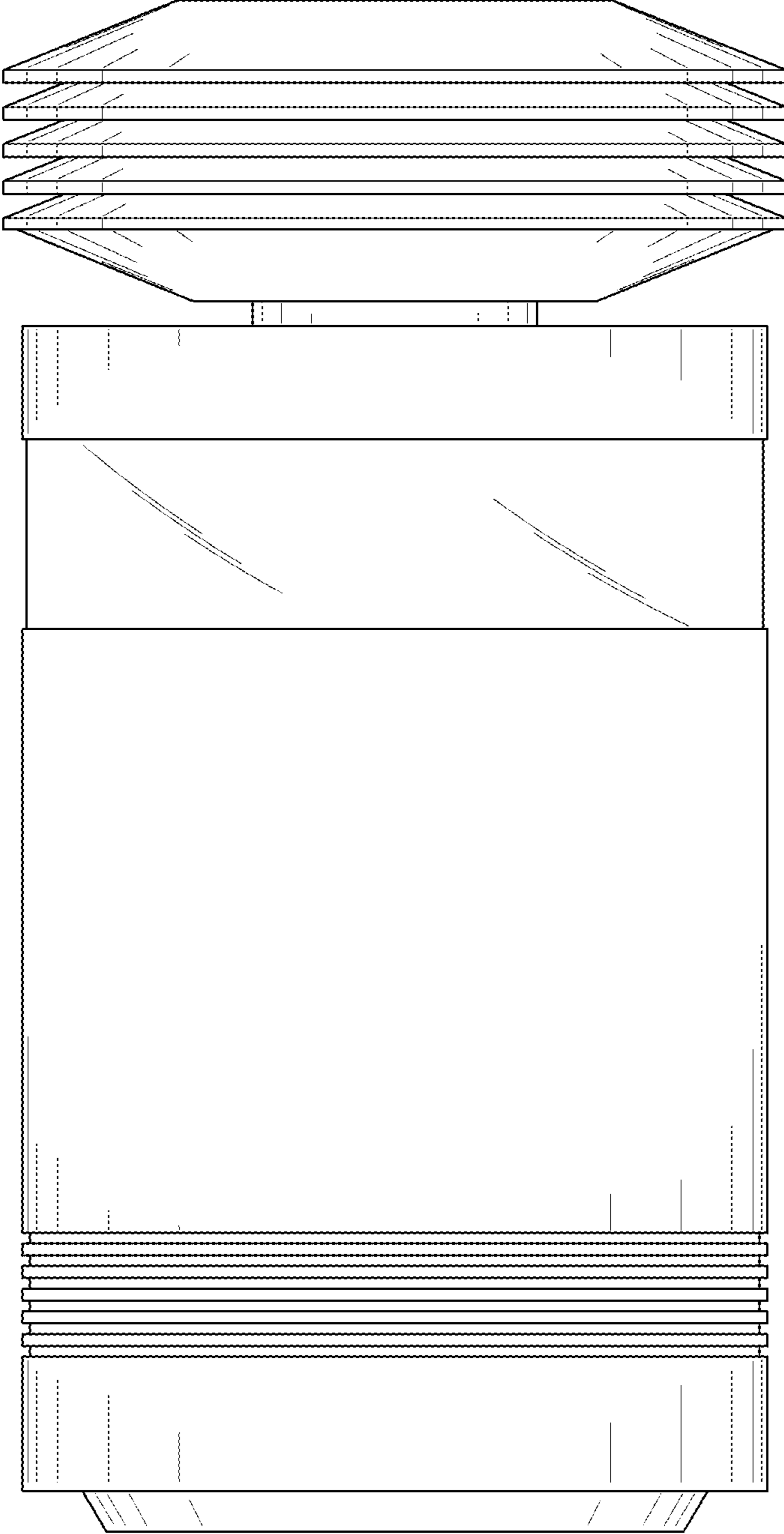


FIG. 3

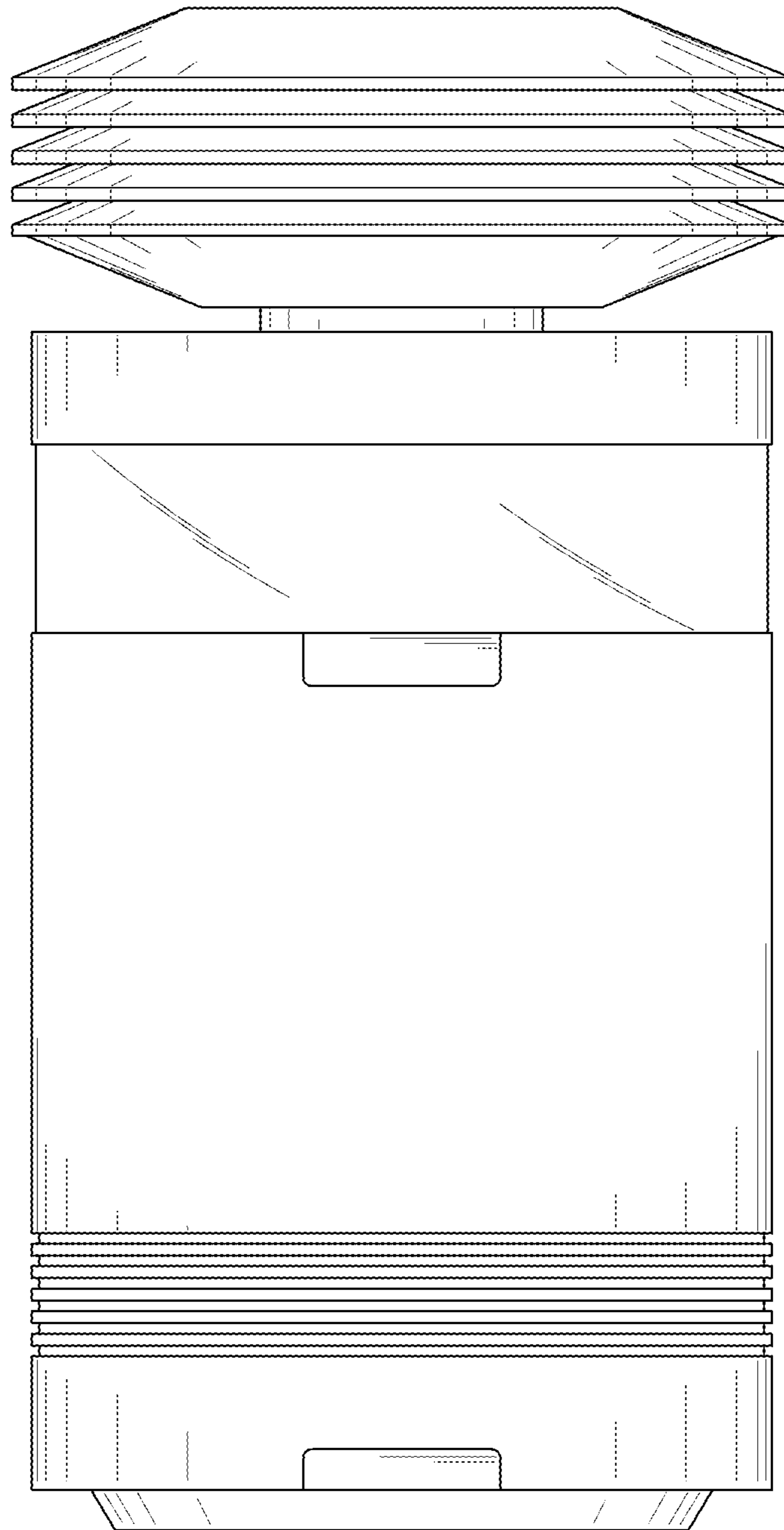


FIG. 4

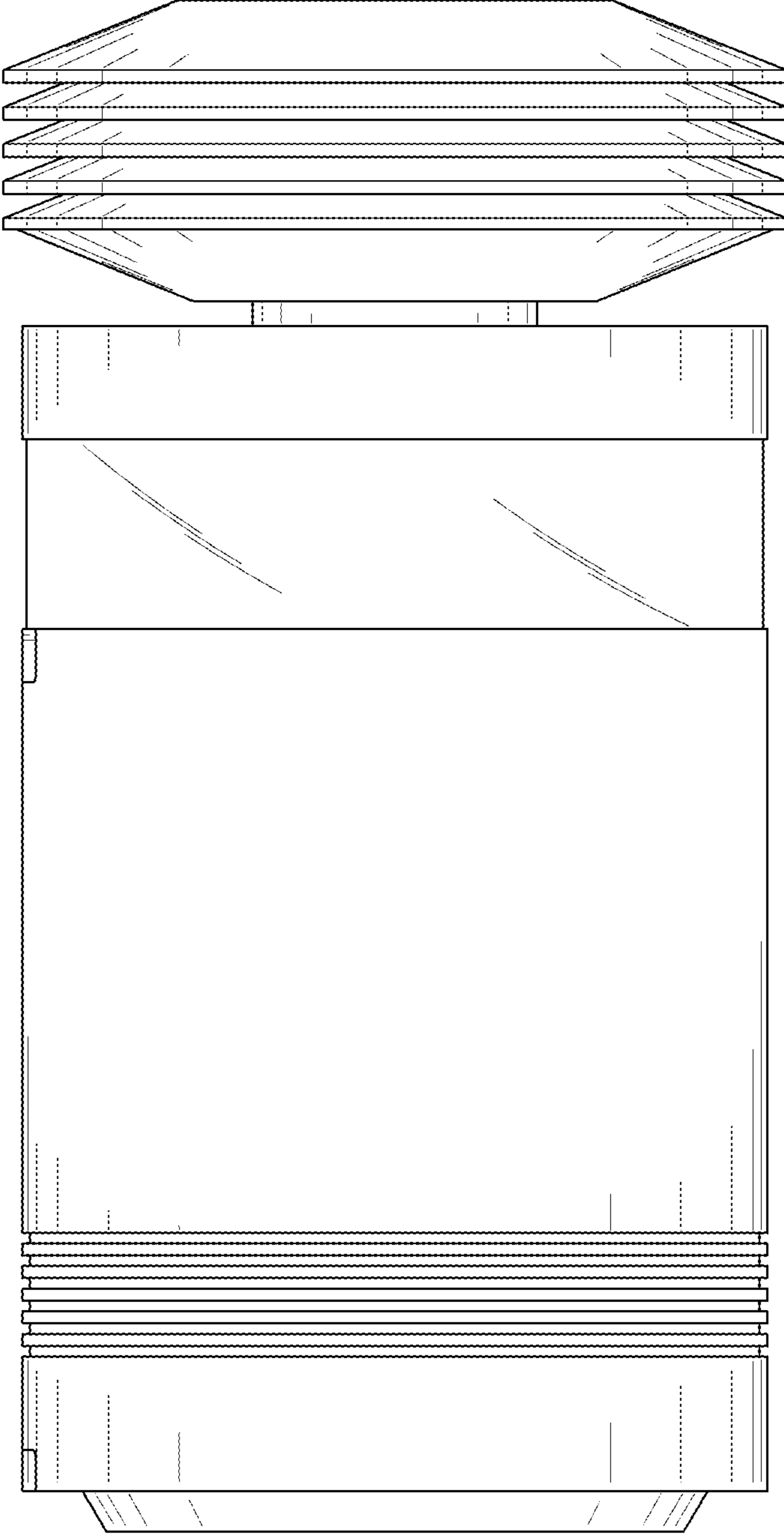


FIG. 5

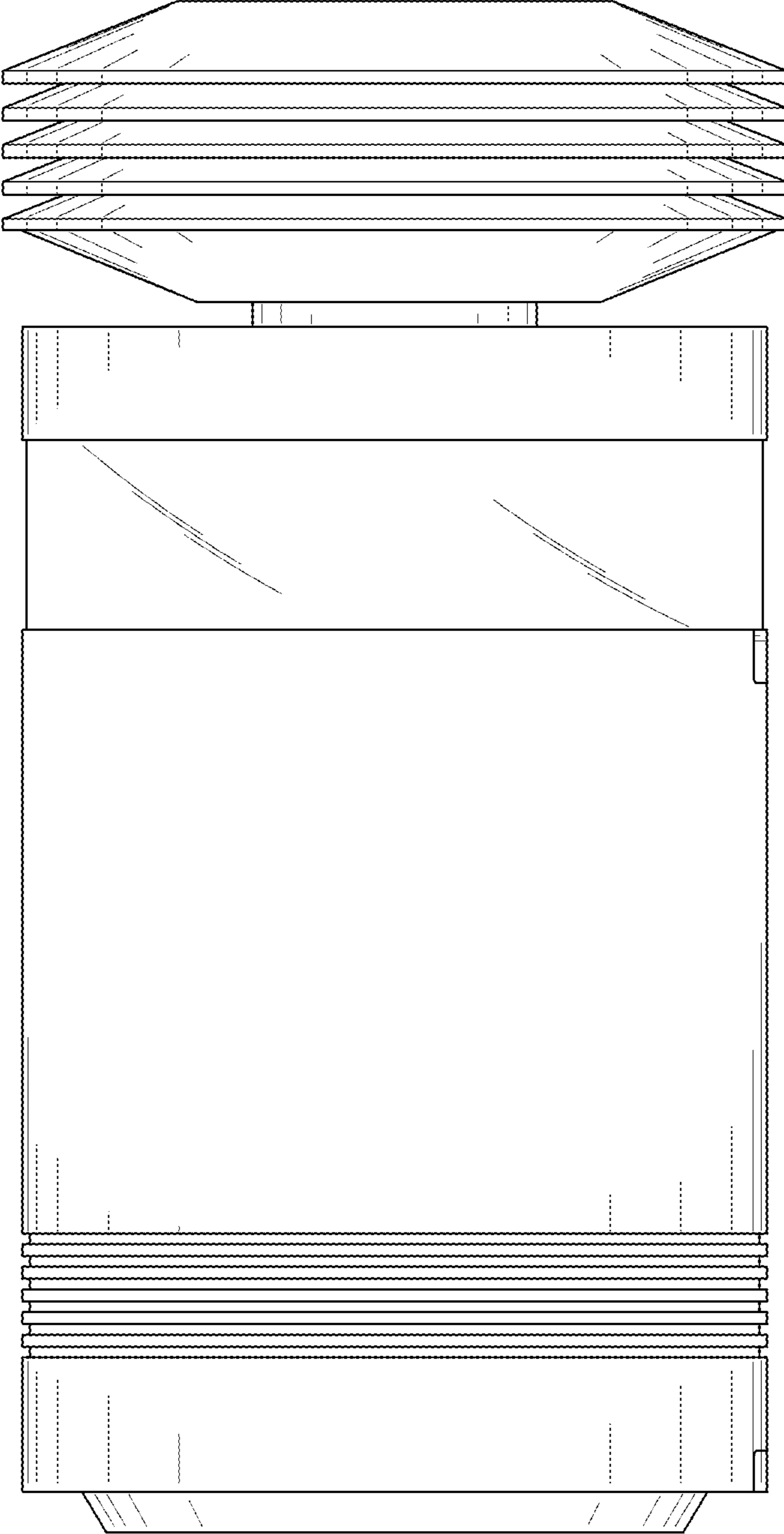


FIG. 6

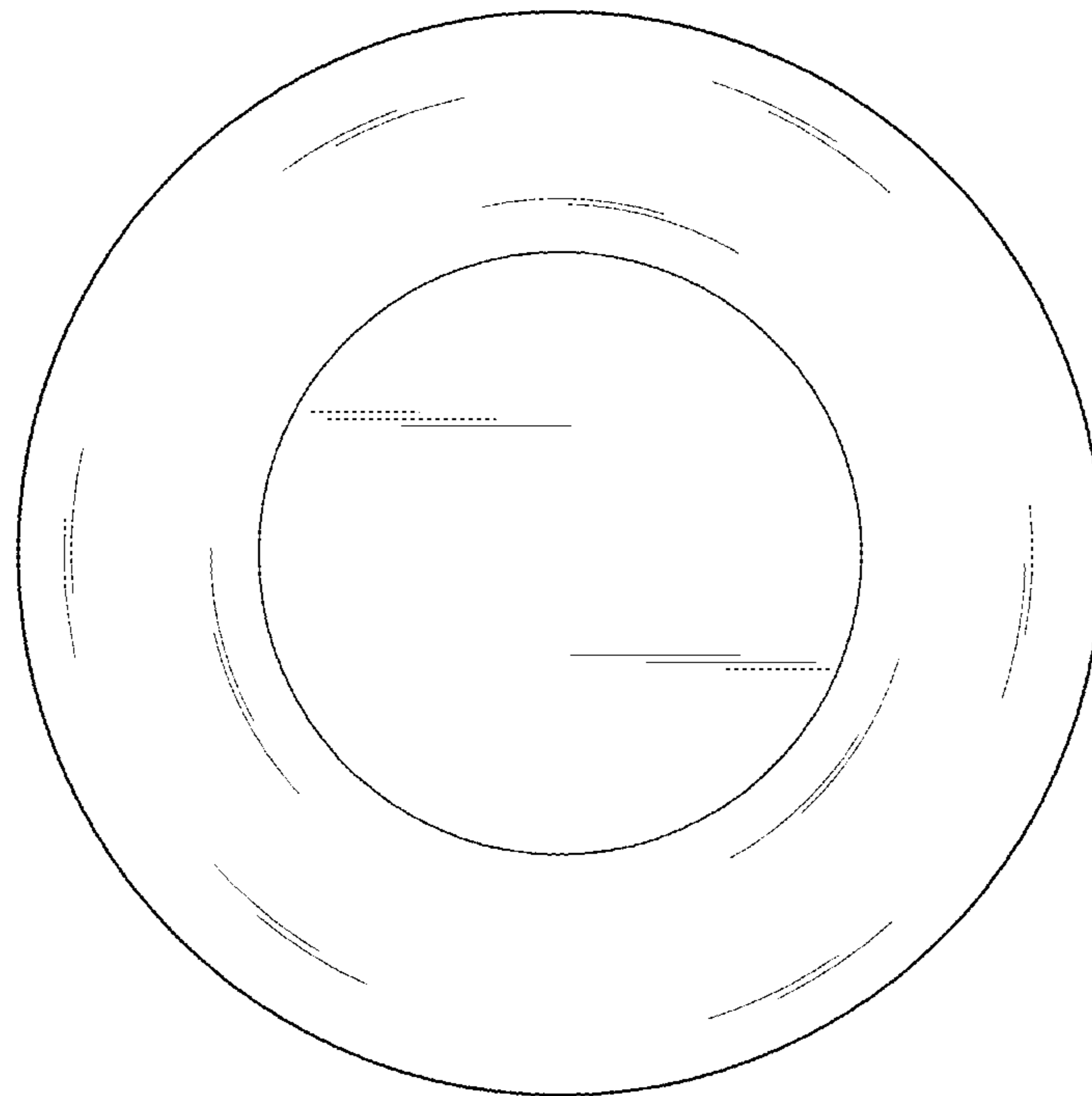


FIG. 7

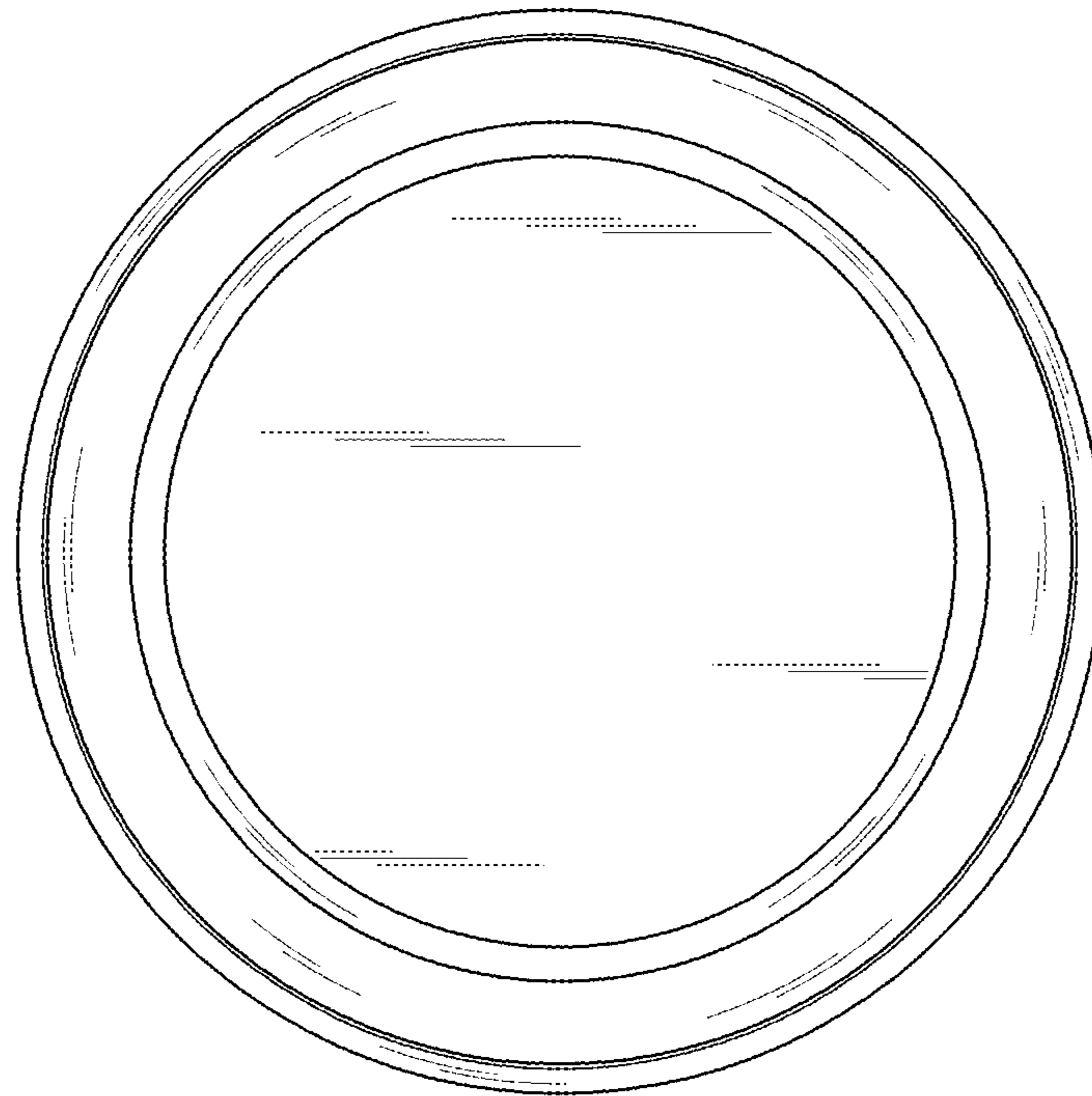


FIG. 8

