



US00D947039S

(12) **United States Design Patent**
Tenenbaum et al.

(10) **Patent No.:** **US D947,039 S**
(45) **Date of Patent:** **** Mar. 29, 2022**

(54) **CAN**
(71) Applicant: **SODASTREAM INDUSTRIES LTD.**,
Kfar Saba (IL)
(72) Inventors: **Noam Tenenbaum**, Kadima (IL); **Yosef Haviv**, Kiryat Malachi (IL); **Dalit Bachar**, Tel Aviv (IL)

2501/0036; B65D 2543/00064; B65D 2543/00074; B65D 2543/00083; B65D 2543/00092; B65D 2543/00101; B65D 2543/00111; Y10T 29/49826

See application file for complete search history.

(73) Assignee: **SODASTREAM INDUSTRIES LTD.**,
Dfar Saba (IL)

(**) Term: **15 Years**

(21) Appl. No.: **35/509,874**

(22) Filed: **Jul. 8, 2020**

(80) **Hague Agreement Data**

Int. Filing Date: **Jul. 8, 2020**
Int. Reg. No.: **DM/209228**
Int. Reg. Date: **Jul. 8, 2020**
Int. Reg. Pub. Date: **Jul. 24, 2020**

(30) **Foreign Application Priority Data**

Jan. 9, 2020 (IL) 64673

(51) **LOC (13) Cl.** **09-01**

(52) **U.S. Cl.**
USPC **D9/776; D9/500**

(58) **Field of Classification Search**
USPC D9/500, 516, 530, 537, 539, 549, 551,
D9/564, 571, 763-783

CPC B21D 51/26; B21D 51/383; B29C 66/71;
B65D 1/00; B65D 1/02; B65D 1/12;
B65D 1/14; B65D 1/40; B65D 1/44;
B65D 1/023; B65D 1/0223; B65D 1/165;
B65D 1/238; B65D 1/246; B65D 1/253;
B65D 7/04; B65D 21/0209; B65D
21/0233; B65D 25/00; B65D 25/28;
B65D 41/0457; B65D 41/17; B65D
53/06; B65D 75/56; B65D 79/005; B65D

(56) **References Cited**

U.S. PATENT DOCUMENTS

D333,268 S * 2/1993 Arlinghaus D9/538
D357,414 S * 4/1995 Kornick D9/518
D398,531 S * 9/1998 De Vries D9/776
D621,723 S * 8/2010 Gogola D9/767
D674,279 S * 1/2013 Lembke D9/500
D685,653 S * 7/2013 Mowers D9/734
D686,918 S * 7/2013 Lembke D9/500
D712,753 S * 9/2014 Stephens D9/772
D751,920 S * 3/2016 Aranda Campin B65D 17/28
D9/711
D856,798 S * 8/2019 Giraud D9/420
D865,522 S * 11/2019 Sordo D9/500

(Continued)

Primary Examiner — Keli L Hill

(74) *Attorney, Agent, or Firm* — Pearl Cohen Zedek
Latzer Baratz LLP

(57) **CLAIM**

The ornamental design for a can, as shown and described.

DESCRIPTION

1. Can

1.1 : Front

1.2 : Top

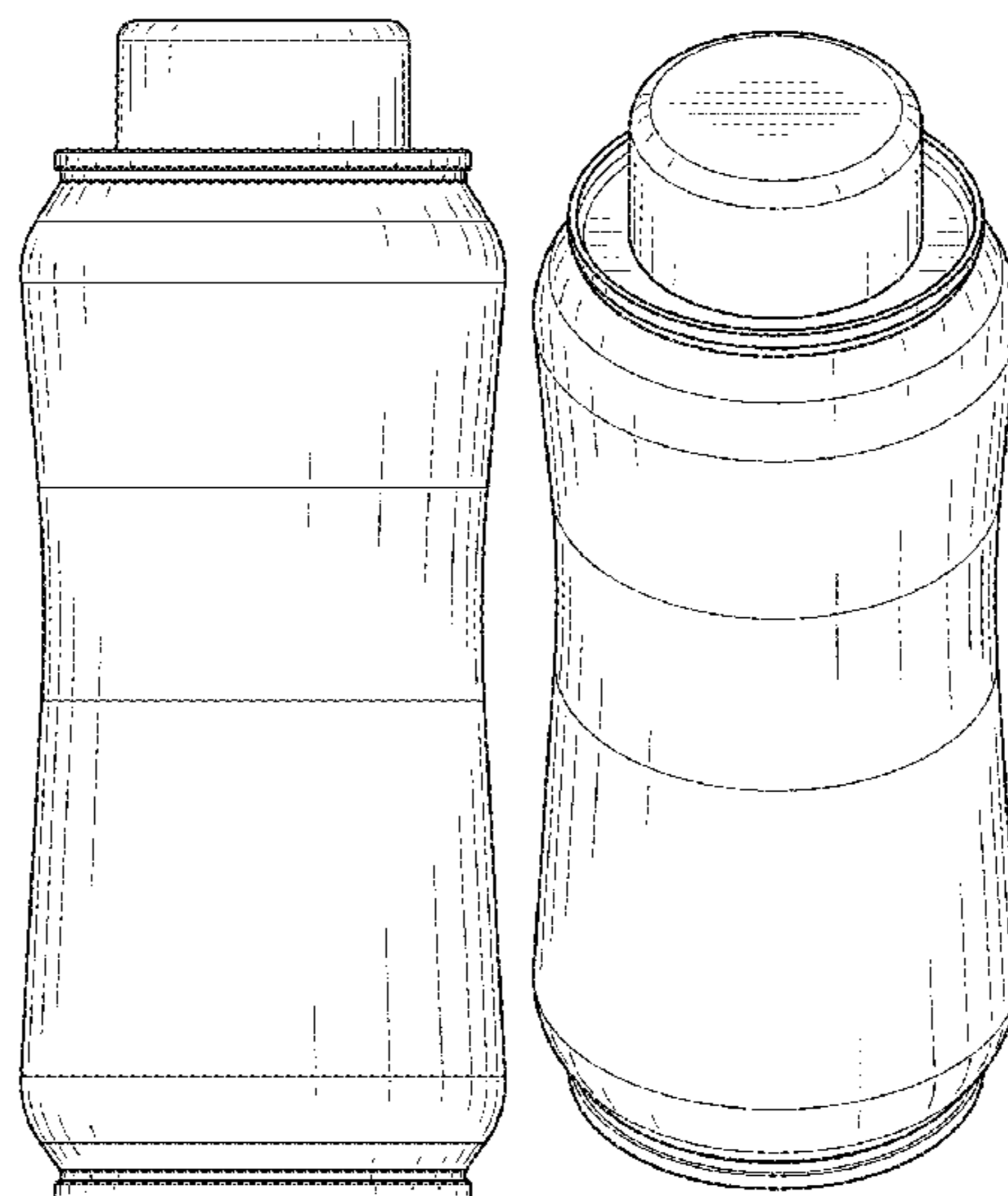
1.3 : Bottom

1.4 : Perspective (front, top, left)

The shadings in the reproductions represent contours only and do not illustrate an ornamentation or decoration on the surface of the product; the front view, back view, left side view and right side view are identical.

The broken lines in the drawings depict portions of the can that form no part of the claimed design.

1 Claim, 4 Drawing Sheets



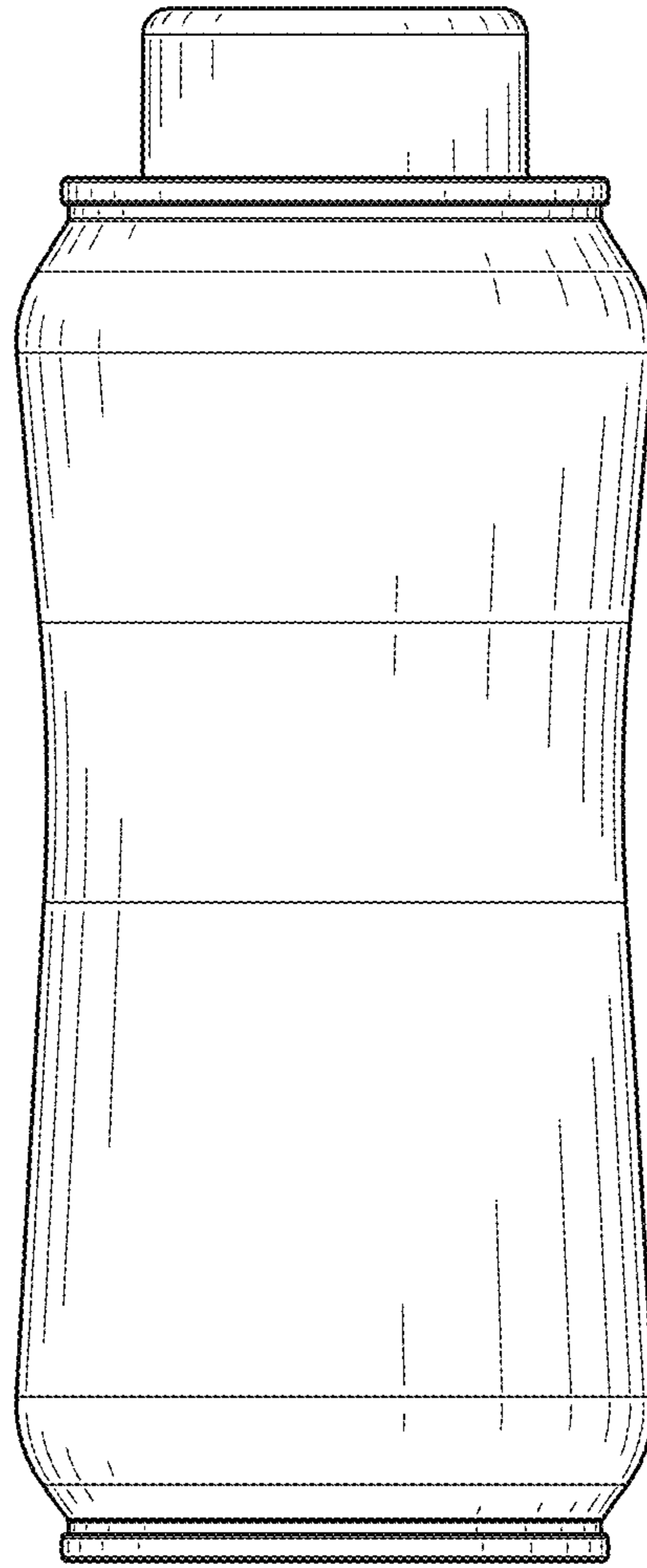
(56)

References Cited

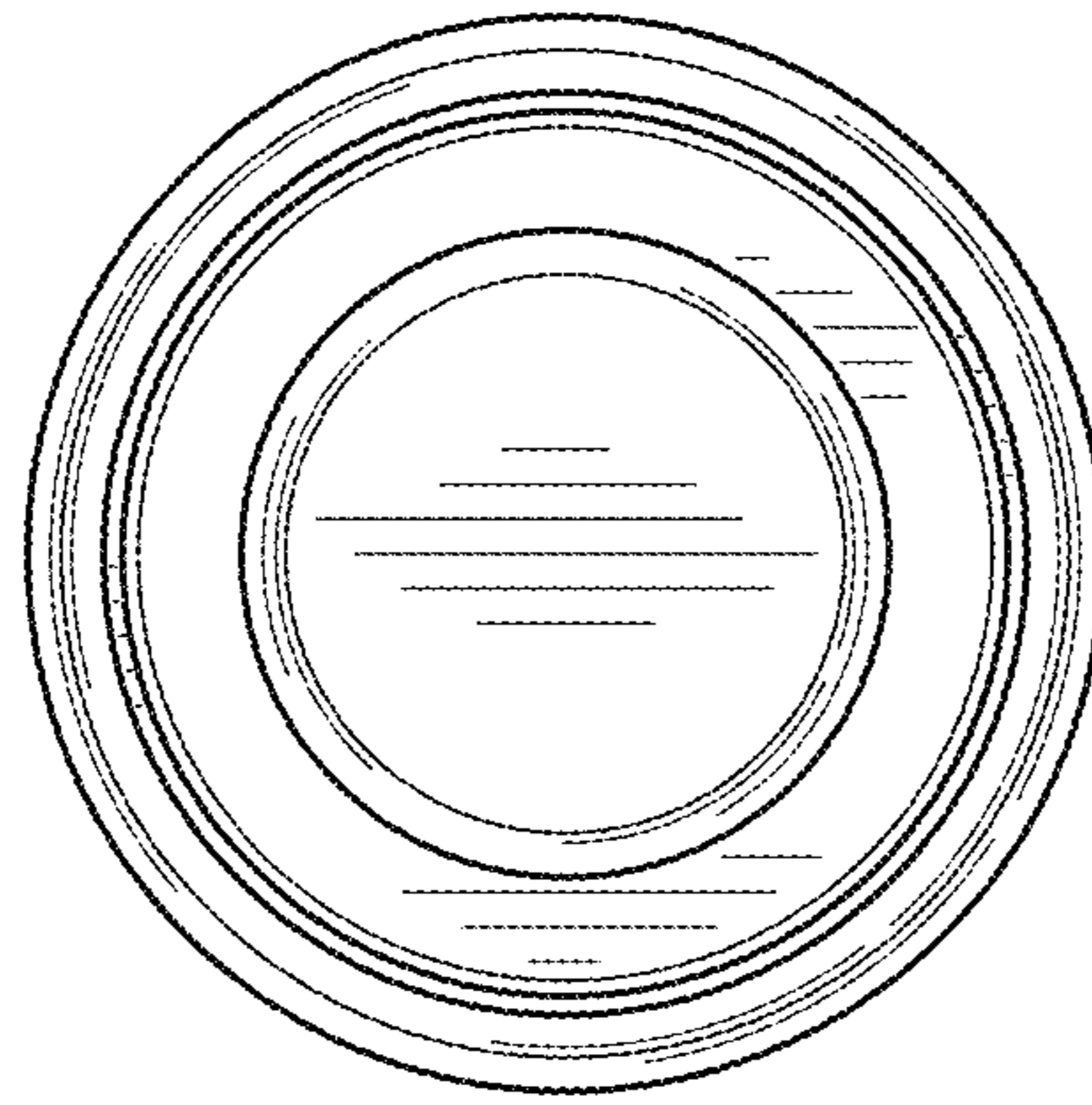
U.S. PATENT DOCUMENTS

D887,861 S	*	6/2020	Sheishenov	B65D 17/28
				D9/776
D902,039 S	*	11/2020	Sordo	D9/503
D930,479 S	*	9/2021	Harris	D9/500
D934,689 S	*	11/2021	Van Den Berg	D9/503

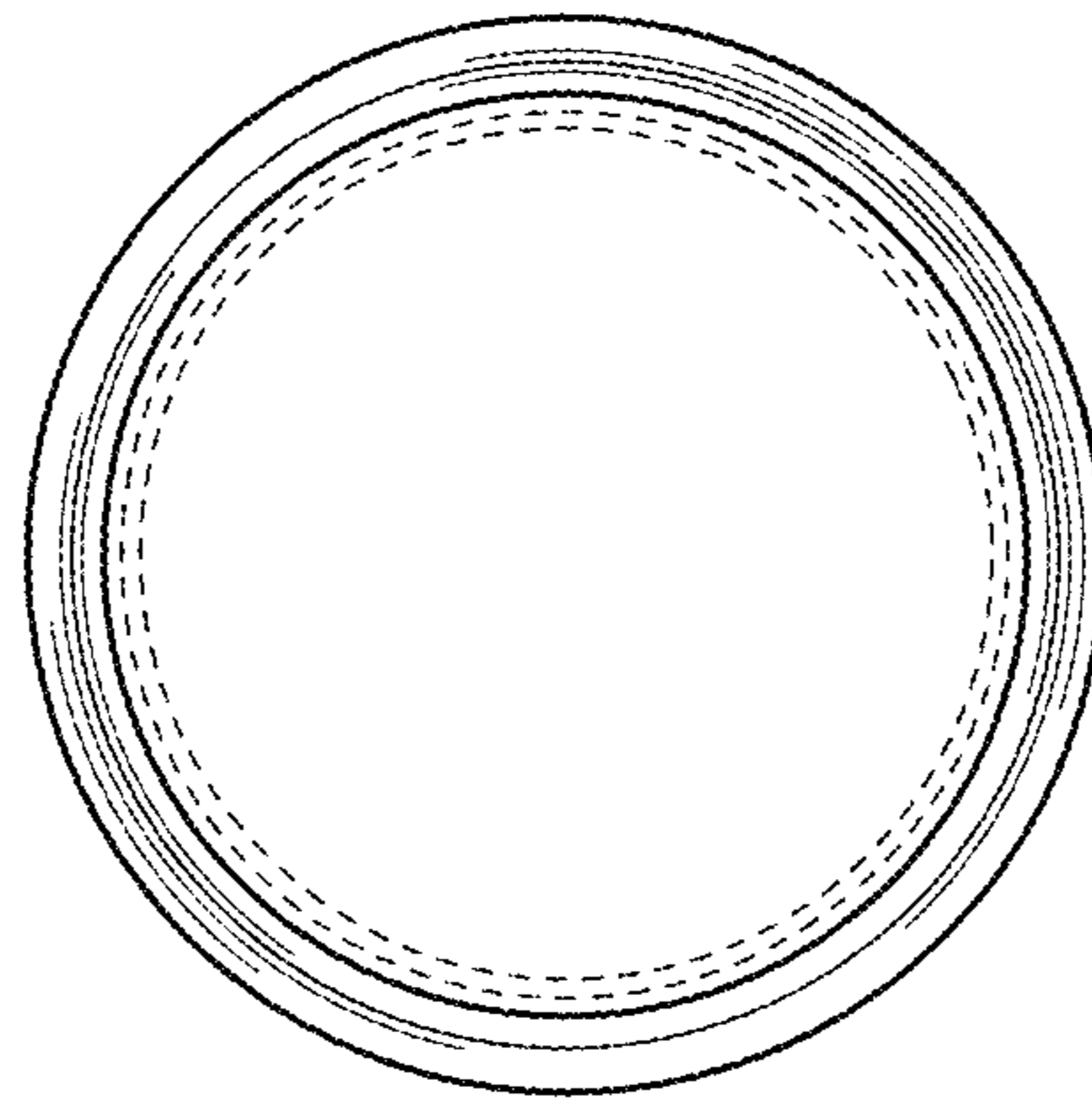
* cited by examiner



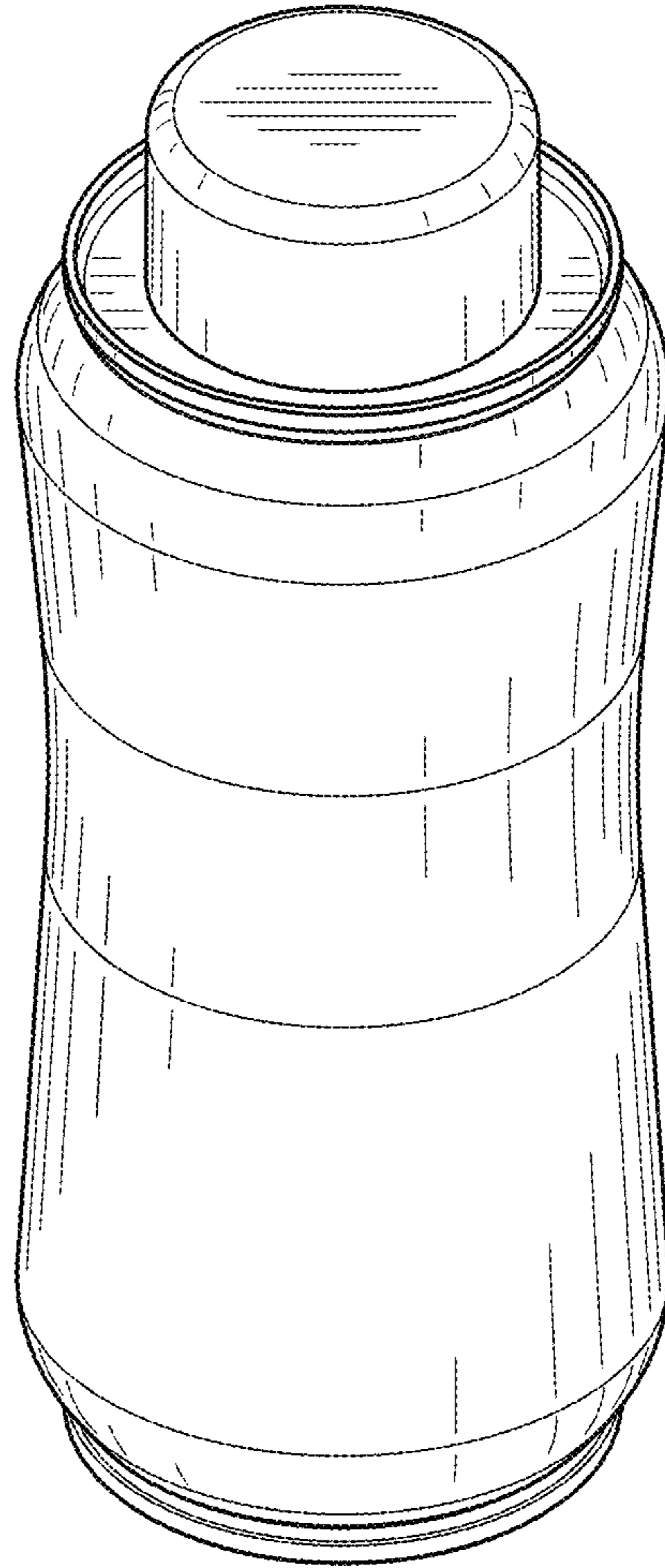
1.1



1.2



1.3



1.4