



US00D947035S

(12) **United States Design Patent**
Kinas et al.

(10) **Patent No.:** **US D947,035 S**
(45) **Date of Patent:** **** Mar. 29, 2022**

(54) **FLEXIBLE SECURITY BAG**

(56) **References Cited**

(71) Applicants: **Jonathan Kinas**, Aventura, FL (US);
Robert Peck, Aventura, FL (US); **Avin Samtani**, Aventura, FL (US)

(72) Inventors: **Jonathan Kinas**, Aventura, FL (US);
Robert Peck, Aventura, FL (US); **Avin Samtani**, Aventura, FL (US)

(**) Term: **15 Years**

(21) Appl. No.: **29/750,322**

(22) Filed: **Sep. 13, 2020**

(51) **LOC (13) Cl.** **09-05**

(52) **U.S. Cl.**
USPC **D9/705**

(58) **Field of Classification Search**
USPC D9/702-714, 499, 442-443, 434-435,
D9/415; D24/118, 121, 207; 426/106;
383/61.1, 42, 119-120, 106-108, 103,
383/127, 114, 907; D3/203.1, 303, 203.2;
D27/183, 185, 189; 222/92, 107, 215;
220/495.03; 206/406, 811, 484, 260, 527,
206/248; 428/35.2
CPC B65D 33/004; B65D 33/00; B65D 33/06;
B65D 33/12; B65D 29/00; B65D 29/04;
B65D 31/00; B65D 31/005; B65D 31/10;
B65D 31/02; B65D 31/04; B65D 31/18;
B65D 81/00; B65D 81/36

See application file for complete search history.

U.S. PATENT DOCUMENTS

D250,748 S *	1/1979	Leger	D9/420
D265,889 S *	8/1982	Lawrence	D9/418
D593,408 S *	6/2009	Bone	D9/431
D601,418 S *	10/2009	Bone	D9/431
D646,964 S *	10/2011	Ampadu	D9/420
D767,408 S *	9/2016	Shuster	D9/703
D870,564 S *	12/2019	Kinas	D9/705

* cited by examiner

Primary Examiner — Abraham Bahta

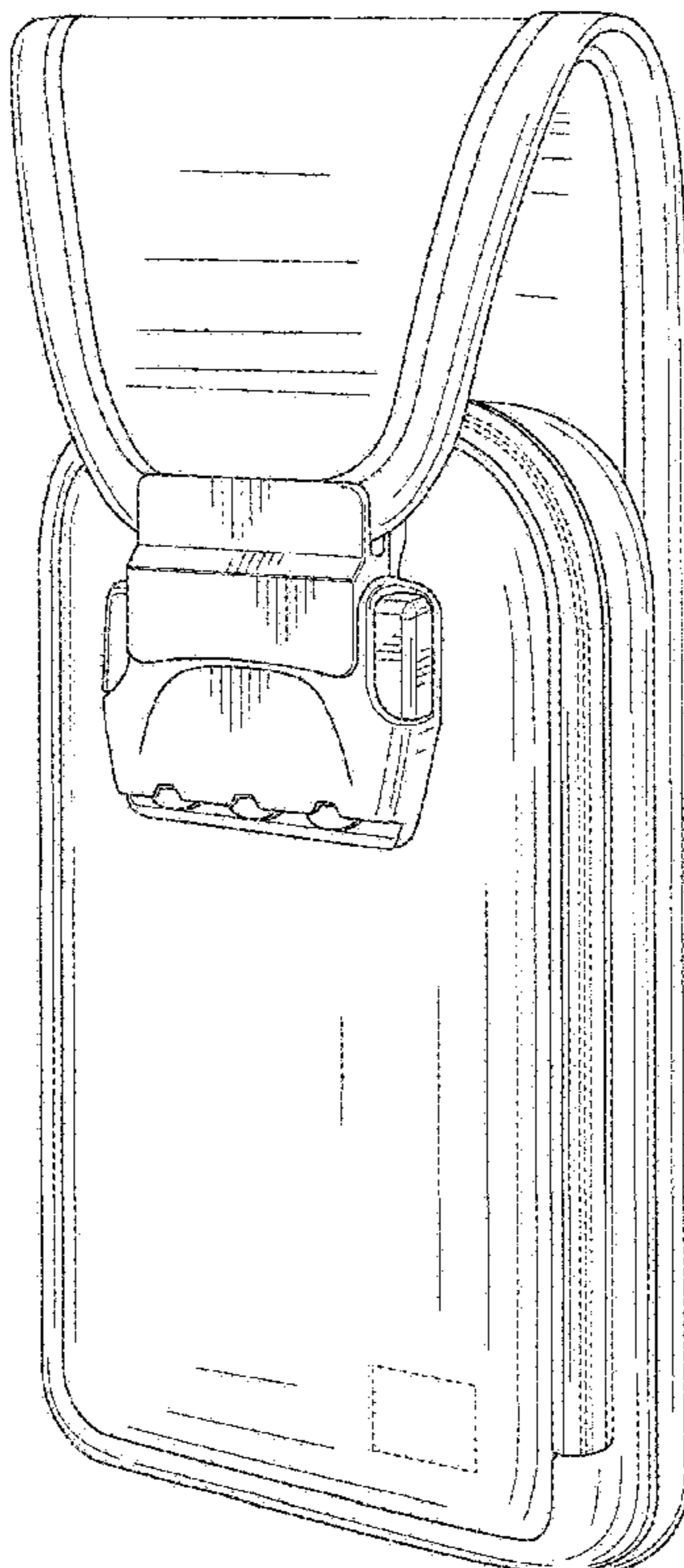
(57) **CLAIM**

The ornamental design for a flexible security bag, as shown and described.

DESCRIPTION

FIG. 1 is a perspective view of the flexible security bag with its flap in a closed position showing my new design;
FIG. 2 is a front view thereof;
FIG. 3 is a top view thereof;
FIG. 4 is a back view thereof;
FIG. 5 is a bottom view thereof;
FIG. 6 is a right side view thereof;
FIG. 7 is a left side view thereof; and,
FIG. 8 is a front view of FIG. 1 with the flap in its open position.
The broken lines, and the unshaded surfaces within, illustrate portions of the flexible security bag and form no part of the claimed design.

1 Claim, 7 Drawing Sheets



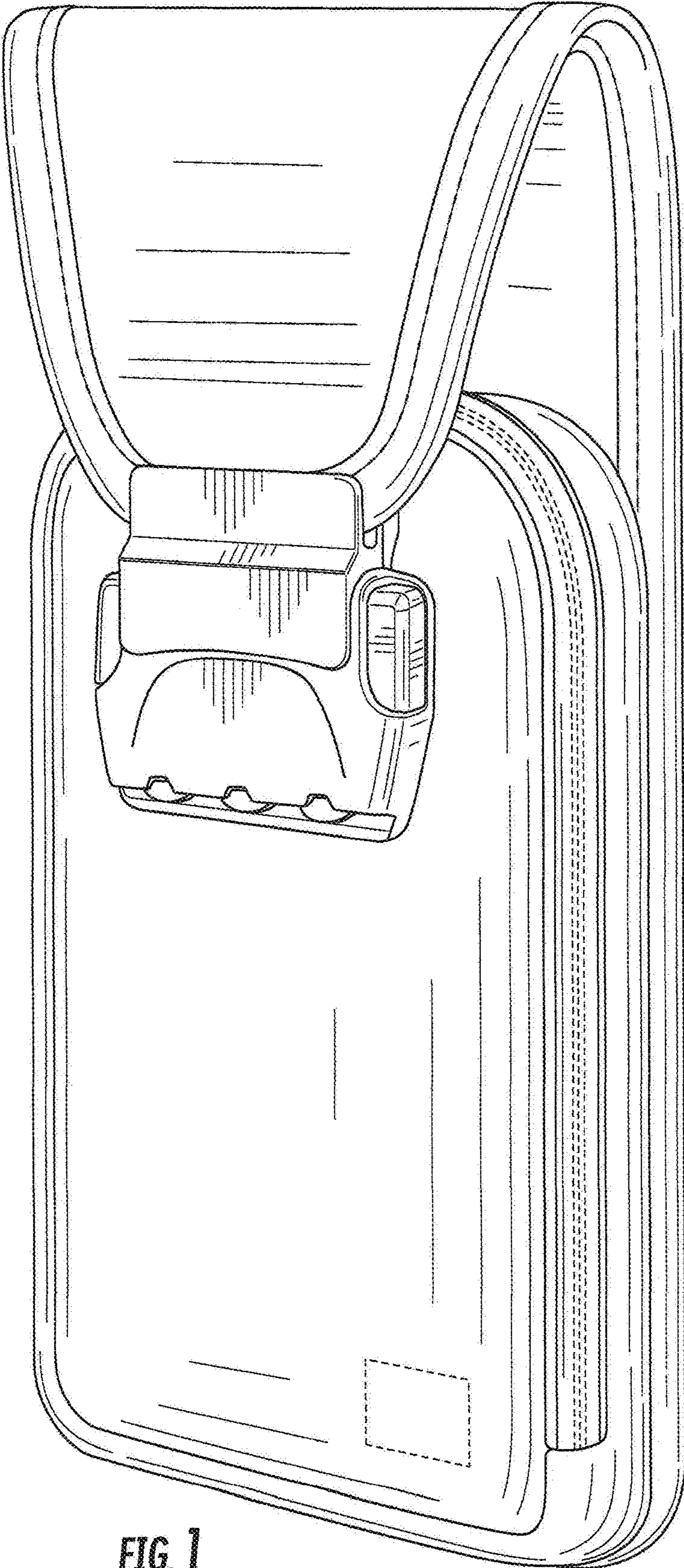


FIG. 1

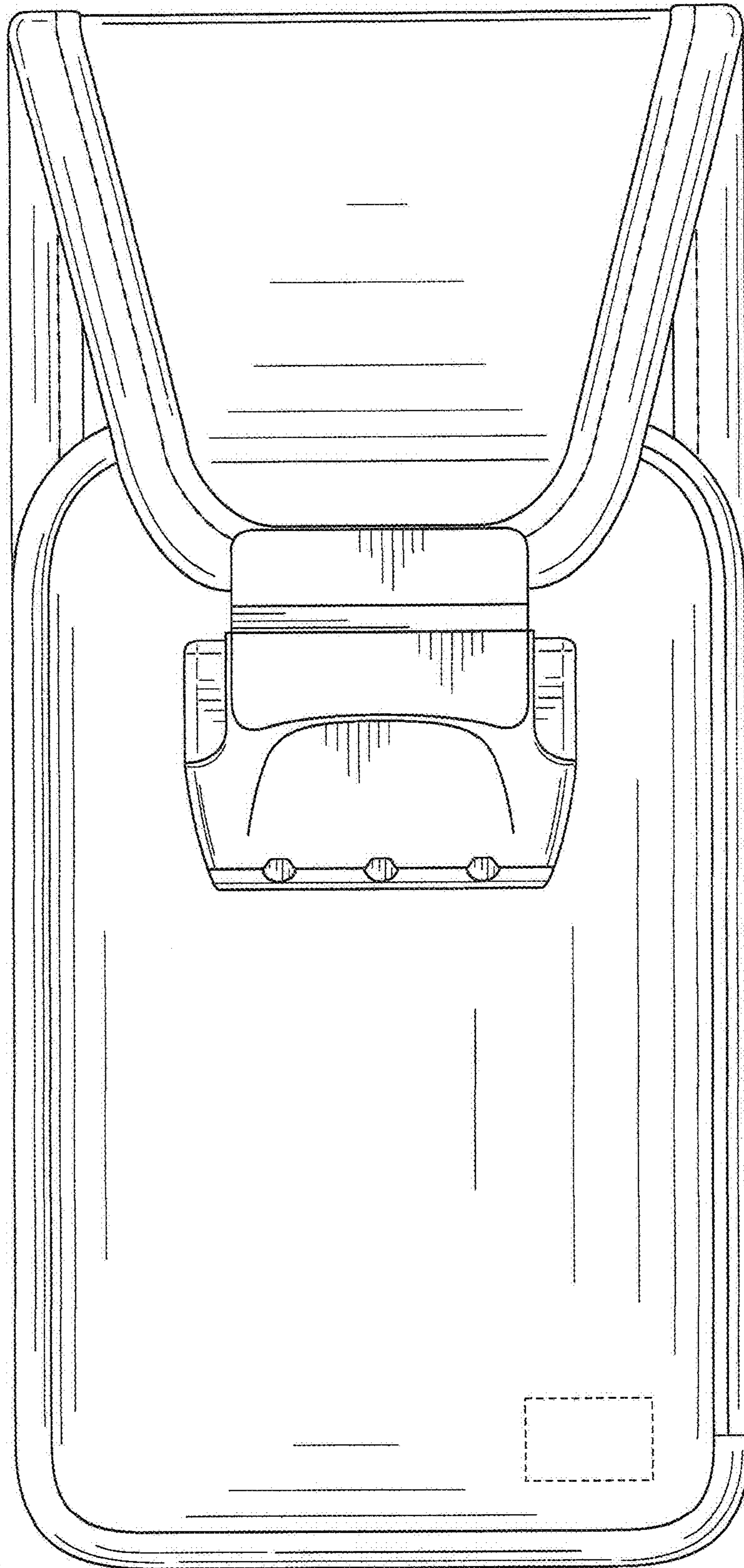


FIG. 2

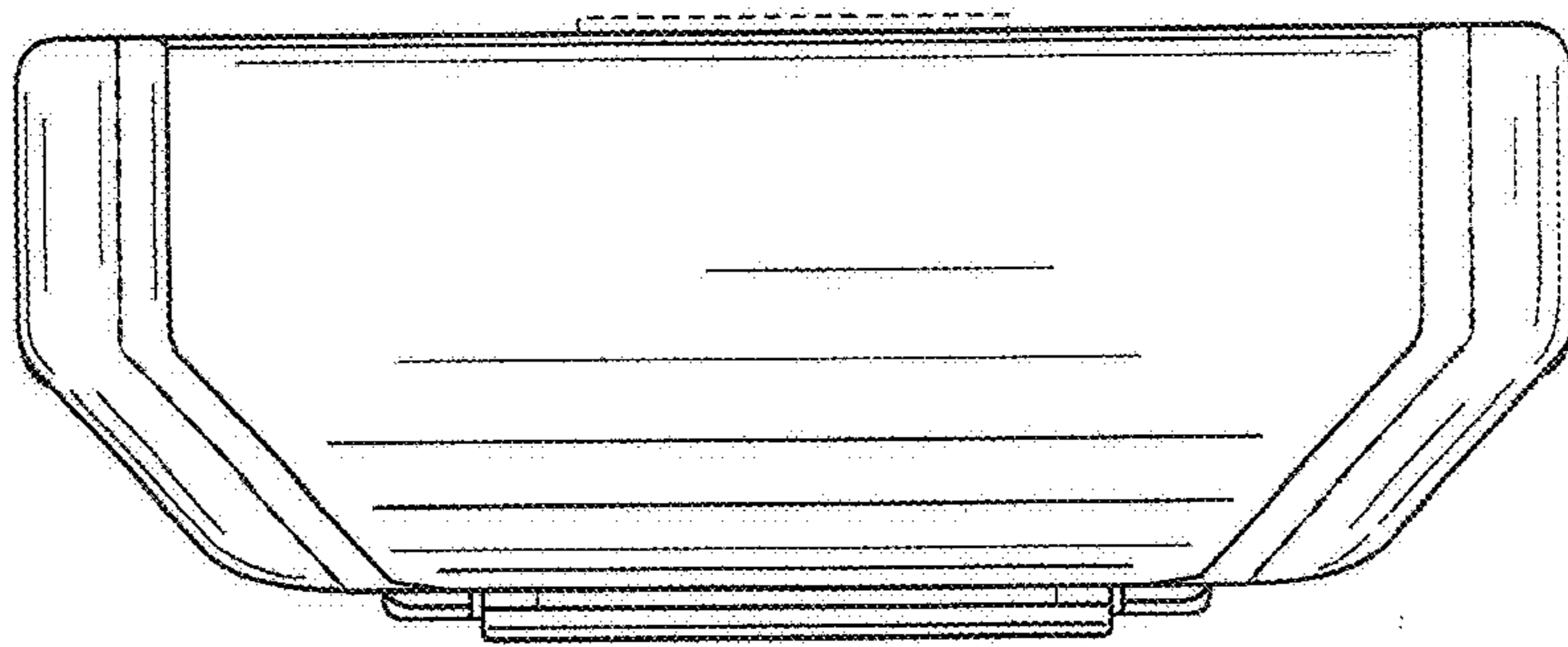


FIG. 3

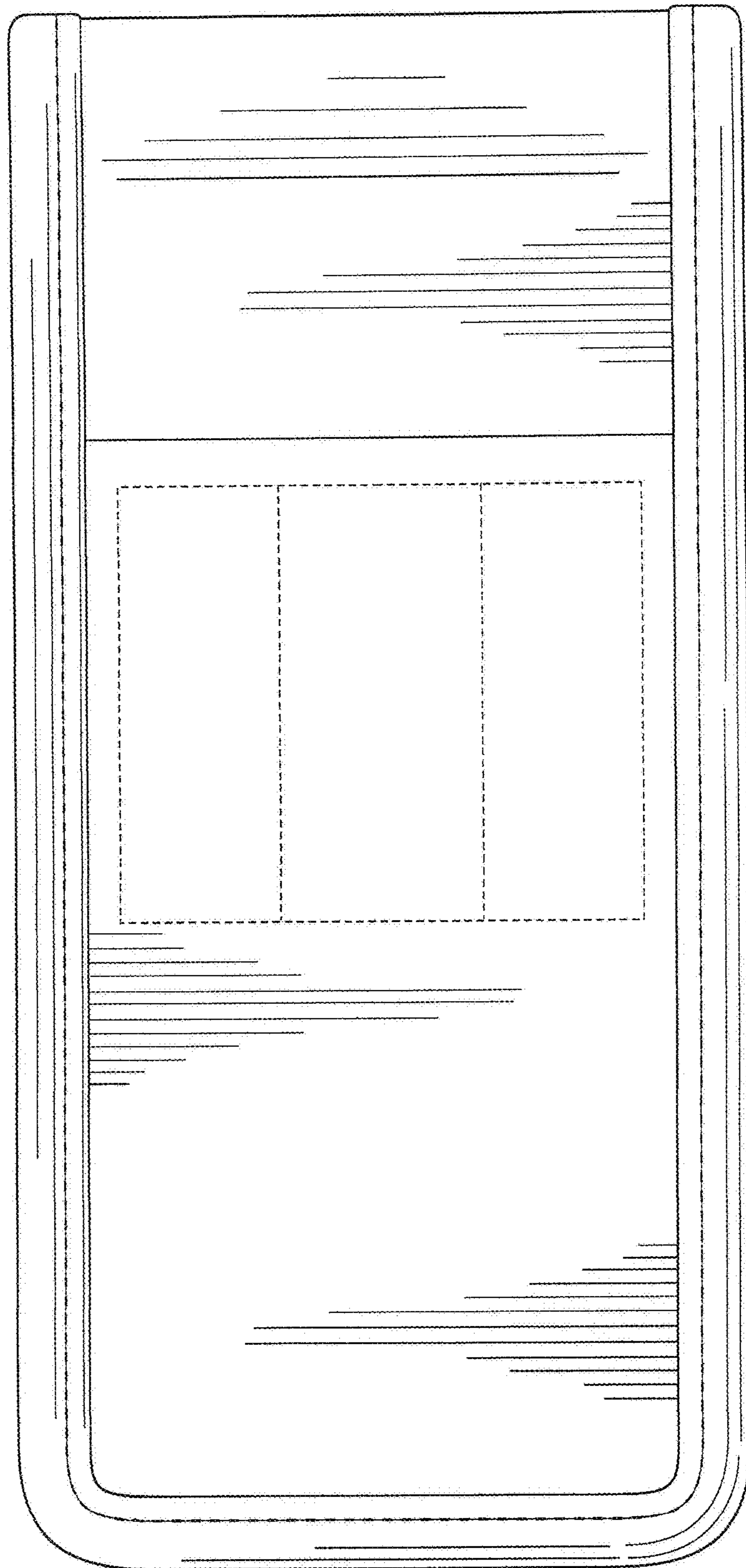


FIG. 4

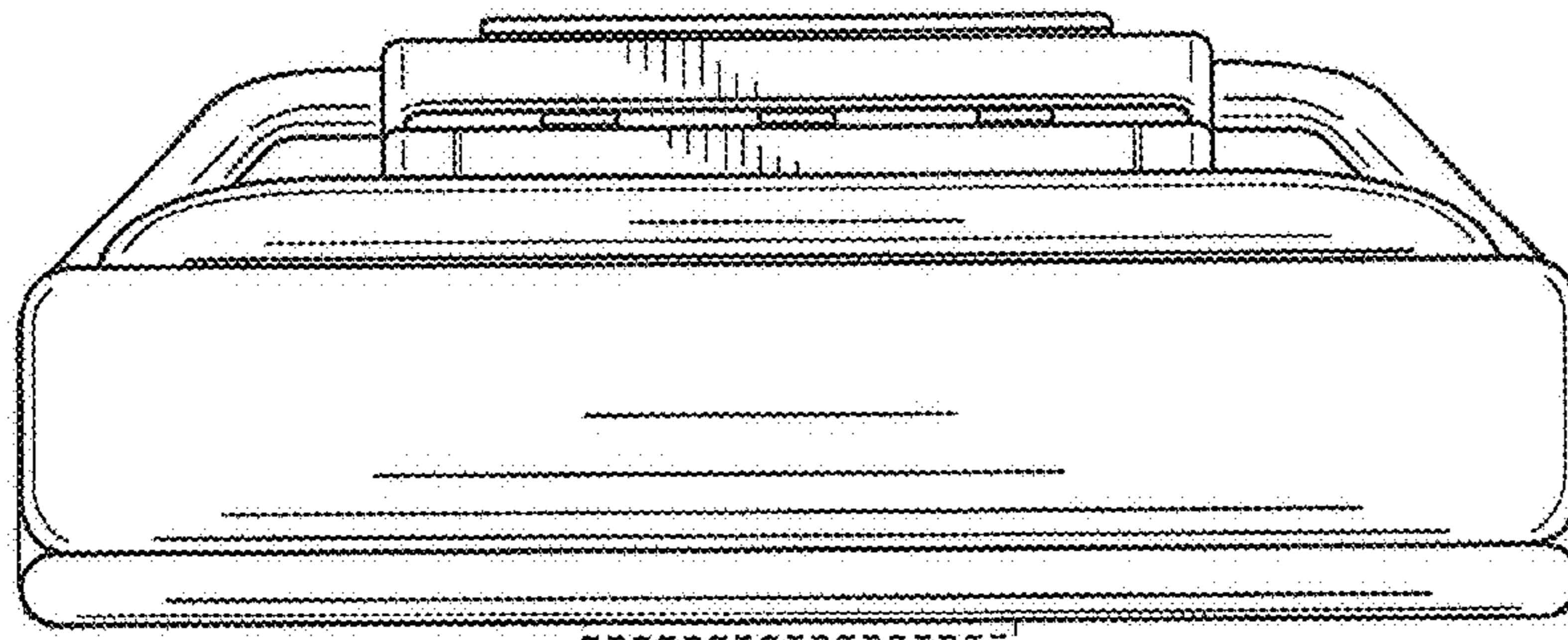


FIG. 5

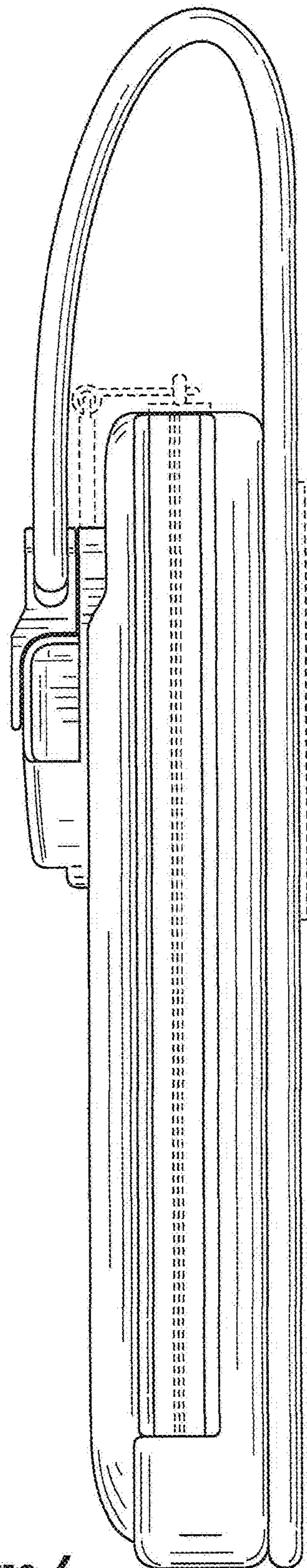


FIG. 6

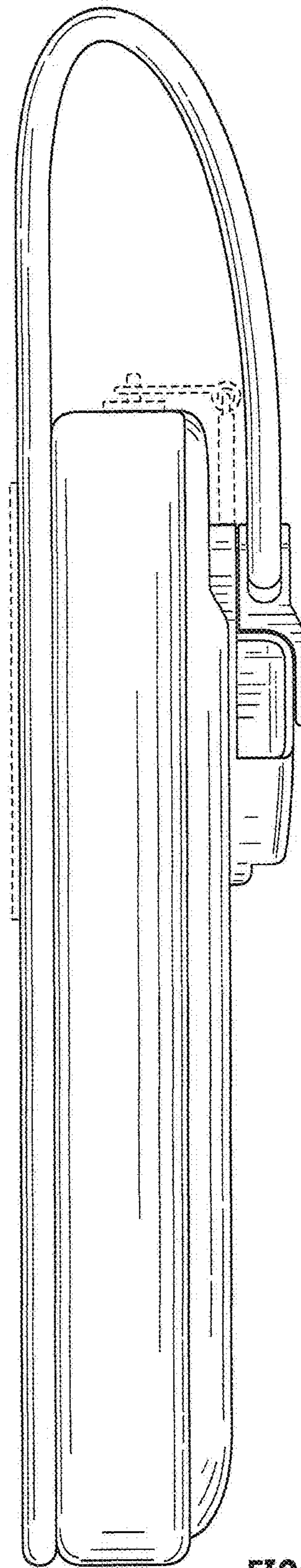


FIG. 7

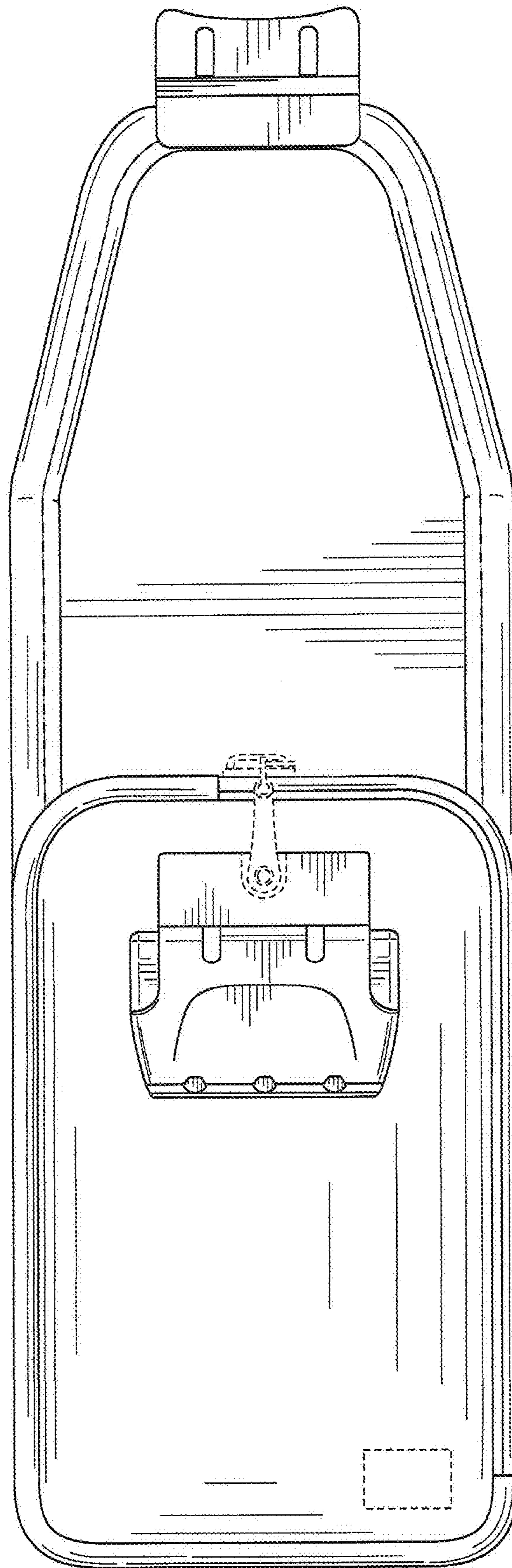


FIG. 8