



US00D947033S

(12) **United States Design Patent** (10) **Patent No.:** **US D947,033 S**  
**Wintroub et al.** (45) **Date of Patent:** **\*\* Mar. 29, 2022**

- (54) **DISPENSER SYSTEM**
- (71) Applicant: **Modafino, LLC**, Lincoln, NE (US)
- (72) Inventors: **David Wintroub**, Omaha, NE (US);  
**Thomas Ortiz**, Lincoln, NE (US);  
**David Murphy**, Lincoln, NE (US)
- (73) Assignee: **Modafino, LLC**, Lincoln, NE (US)
- (\*\*) Term: **15 Years**
- (21) Appl. No.: **29/664,314**
- (22) Filed: **Sep. 24, 2018**
- (51) **LOC (13) Cl.** ..... **09-01**
- (52) **U.S. Cl.**  
USPC ..... **D9/688**
- (58) **Field of Classification Search**  
USPC .... D9/682-694, 448, 503, 504; D28/76, 77,  
D28/91.1  
CPC .. B05B 11/00-3098; B65D 83/14-759; A45D  
34/00; A45D 34/02; A45D 34/04; A45D  
34/06; A45D 2034/002; A45D 2034/005;  
A45D 2034/007; A45D 2200/054-058;  
A45D 40/00; A45D 40/26  
See application file for complete search history.

(56) **References Cited**

U.S. PATENT DOCUMENTS

6,302,302 B1 \* 10/2001 Albisetti ..... B65D 83/205  
222/153.11

6,905,049 B1 \* 6/2005 Lambert ..... B05B 11/3047  
222/321.7

D561,024 S \* 2/2008 Altonen ..... D9/448

D569,265 S \* 5/2008 Van Der Straten ..... D9/688

D698,662 S \* 2/2014 Kim ..... D9/689

D704,070 S \* 5/2014 Pires ..... D9/689

D714,160 S \* 9/2014 Park ..... D9/688

D751,415 S \* 3/2016 Otani ..... D9/688

D756,238 S \* 5/2016 Chen ..... D9/688

D843,844 S \* 3/2019 Song ..... D9/688

D856,814 S \* 8/2019 Villarreal ..... D9/688

D914,514 S \* 3/2021 Wintroub ..... D9/688

2009/0302062 A1 \* 12/2009 Maddy ..... B05B 11/3059  
222/183

2010/0224652 A1 \* 9/2010 Lim ..... A45D 34/04  
222/256

(Continued)

**FOREIGN PATENT DOCUMENTS**

CN 3670421 \* 7/2007

CN 301002564 \* 9/2009

(Continued)

*Primary Examiner* — Catherine A Tuttle

(74) *Attorney, Agent, or Firm* — Mallory M. Henninger;  
Advent, LLP

(57) **CLAIM**

The ornamental design for a dispenser system, as shown and described.

**DESCRIPTION**

FIG. 1 is a top plan view showing our new design for a dispenser system;

FIG. 2 is a bottom plan view thereof;

FIG. 3 is an exploded front elevation view thereof;

FIG. 4 is an exploded rear elevation view thereof;

FIG. 5 is an exploded left side elevation view thereof;

FIG. 6 is an exploded right side elevation view thereof;

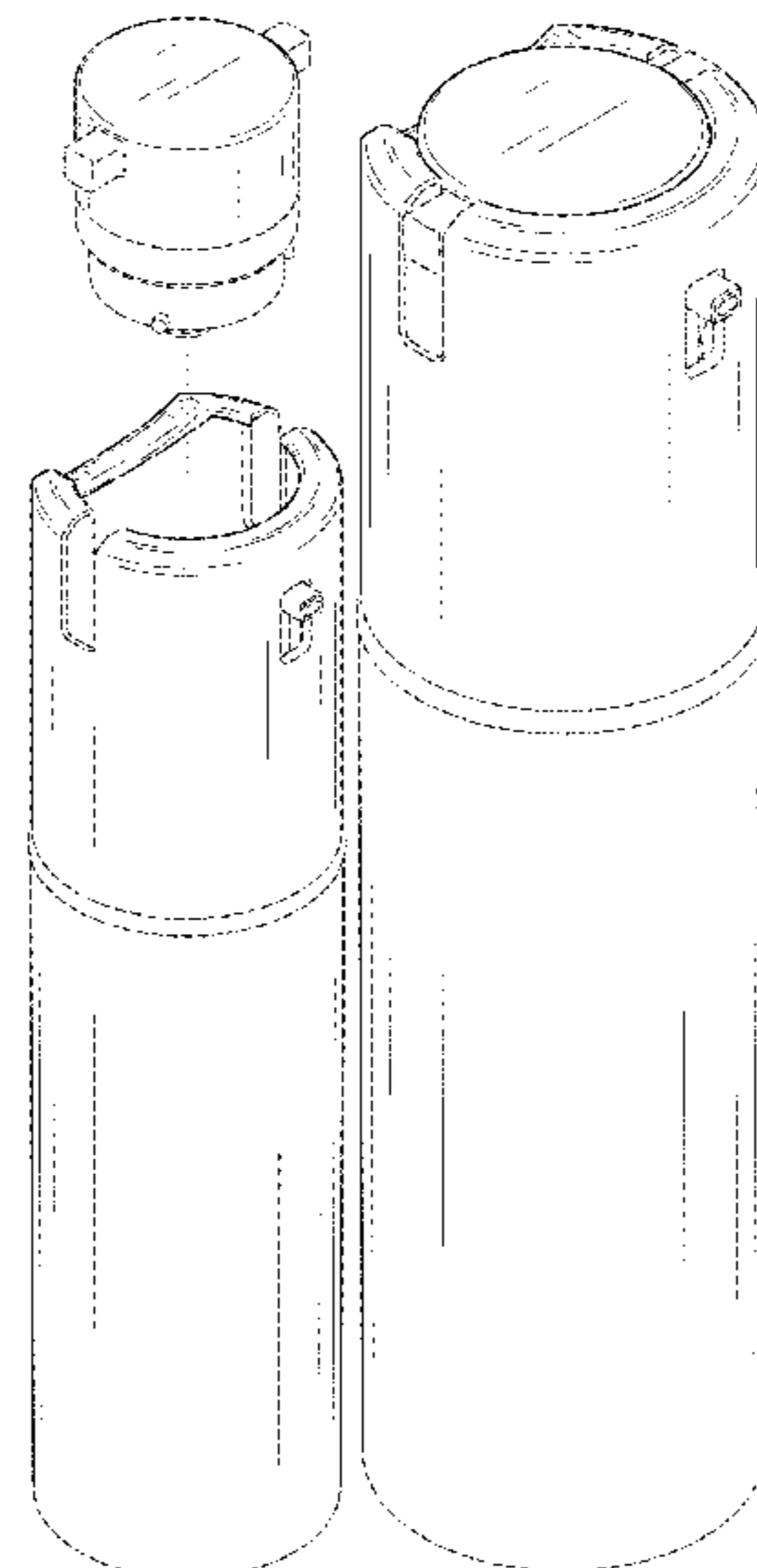
FIG. 7 is an exploded top, front, and left isometric view thereof;

FIG. 8 is an exploded top, rear, and right isometric view thereof; and,

FIG. 9 is an exploded top, front, and left isometric view thereof.

The broken lines depict portions of the dispenser that form no part of the claimed design. The appearance within the unshaded interior regions visible in FIGS. 4, 8, and 9 likewise form no part of the claimed design.

**1 Claim, 9 Drawing Sheets**



(56)

**References Cited**

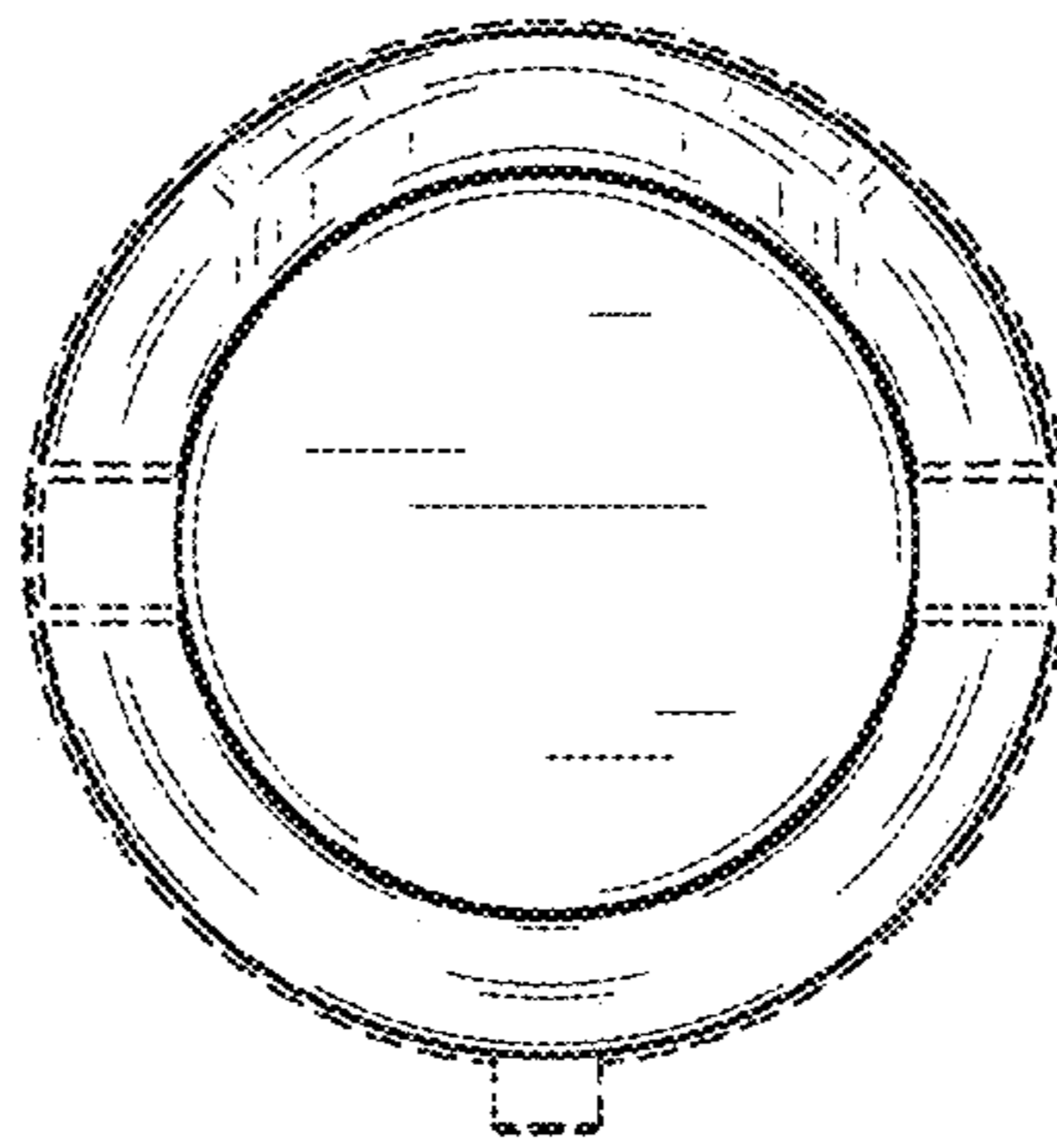
U.S. PATENT DOCUMENTS

2013/0112771 A1\* 5/2013 Ki ..... B05B 17/0646  
 239/102.2  
 2013/0200107 A1\* 8/2013 Presche ..... B05C 11/00  
 222/153.13  
 2014/0061243 A1\* 3/2014 Goettke ..... B05B 11/3001  
 222/182  
 2017/0006999 A1\* 1/2017 Moon ..... A45D 34/04  
 2017/0348714 A1\* 12/2017 Lee ..... B65D 81/32  
 2017/0361344 A1\* 12/2017 Dutton ..... B05B 11/3077  
 2018/0257826 A1\* 9/2018 Jung ..... B05B 11/306  
 2019/0082810 A1\* 3/2019 Roh ..... A45D 40/265  
 2019/0283058 A1\* 9/2019 Ortiz ..... A45D 40/24

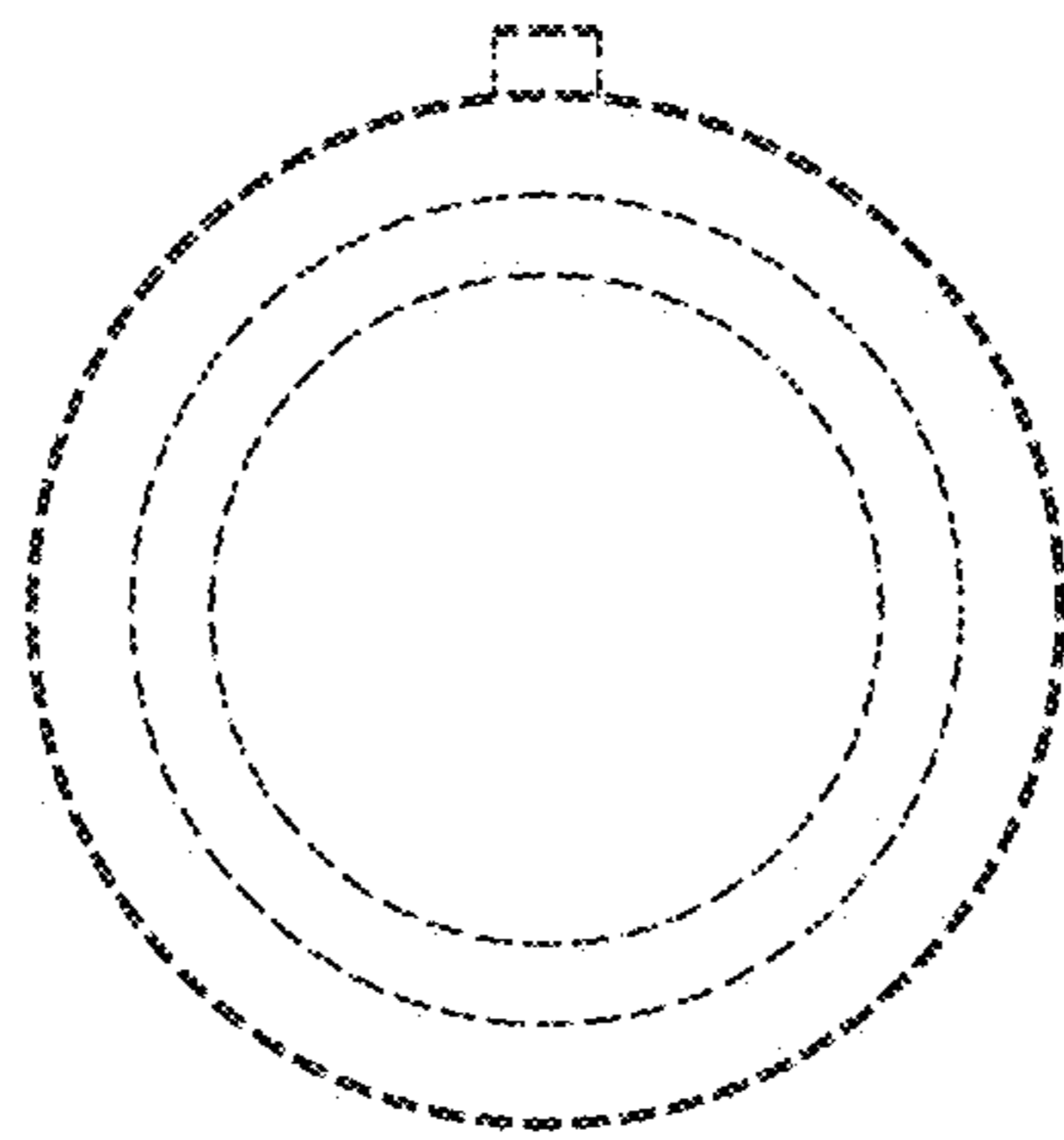
FOREIGN PATENT DOCUMENTS

CN 301463370 \* 2/2011  
 CN 303166869 \* 4/2015  
 CN 303489181 \* 12/2015  
 CN 303504565 \* 12/2015  
 CN 304703494 \* 6/2018  
 EM 001290027-0004 \* 8/2011  
 KR 300485768.0000 \* 4/2008  
 KR 300950320.0000 \* 3/2018  
 WO WO-2012074163 A1 \* 6/2012 ..... B05B 11/3059  
 WO WO-2012161408 A1 \* 11/2012 ..... B05B 11/0027  
 WO WO-2016186357 A1 \* 11/2016 ..... B05B 11/0037

\* cited by examiner



**FIG. 1**



**FIG. 2**

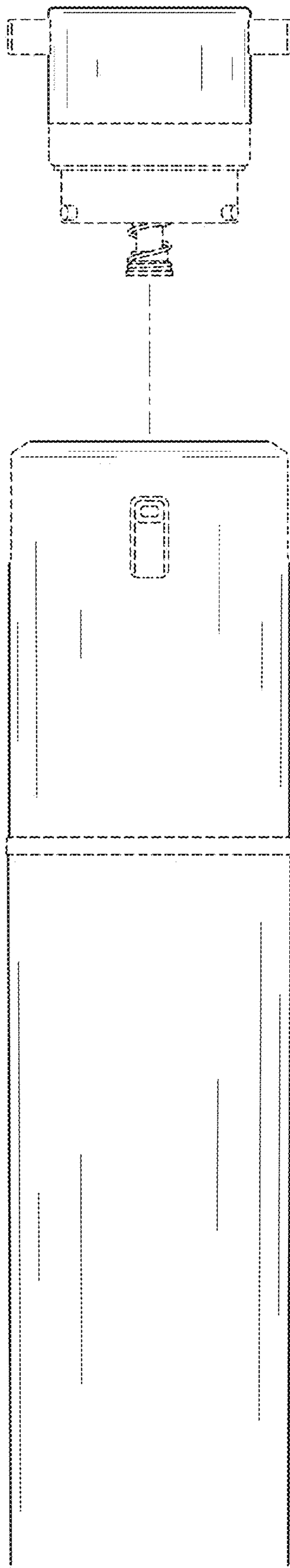


FIG. 3

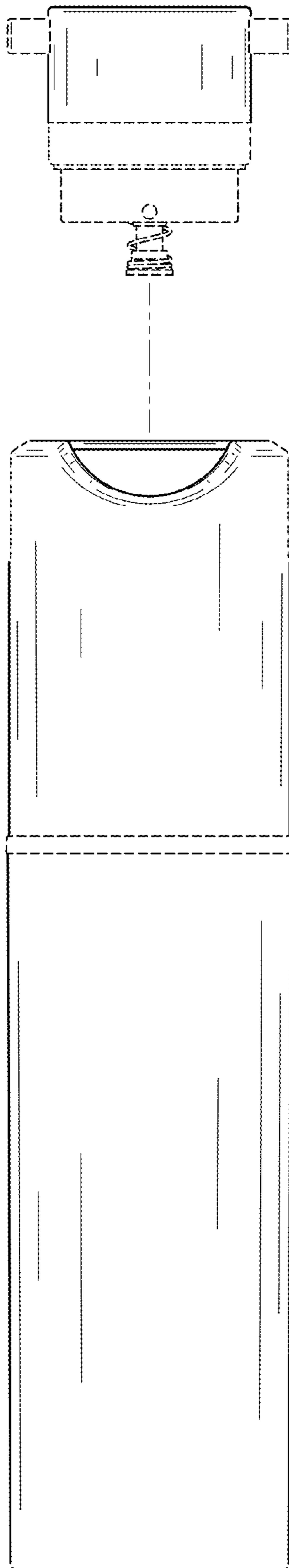


FIG. 4

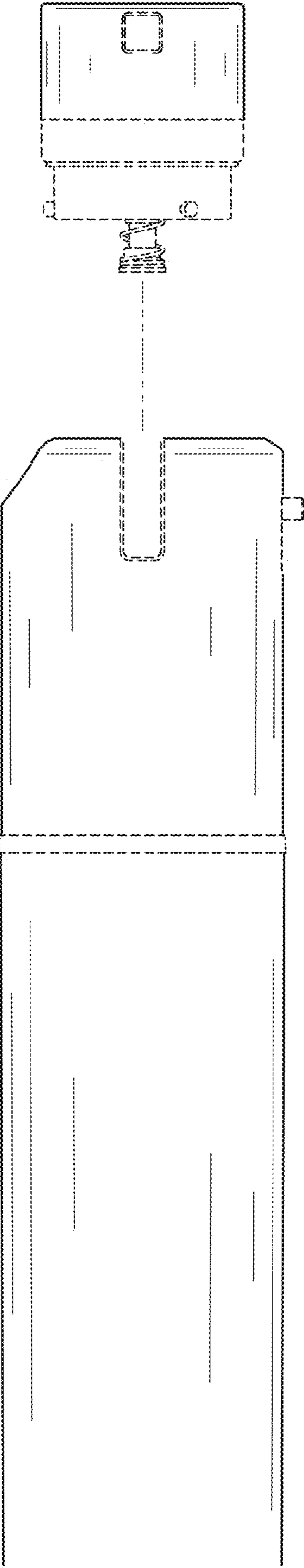


FIG. 5

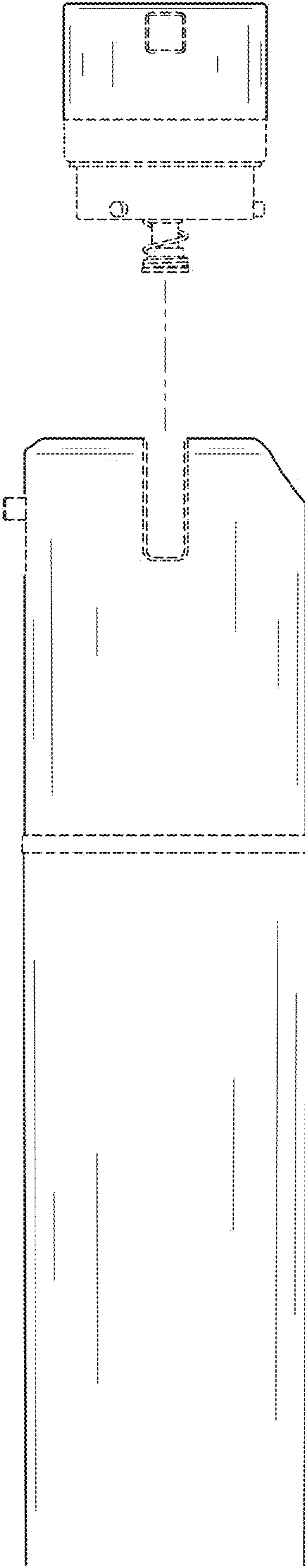
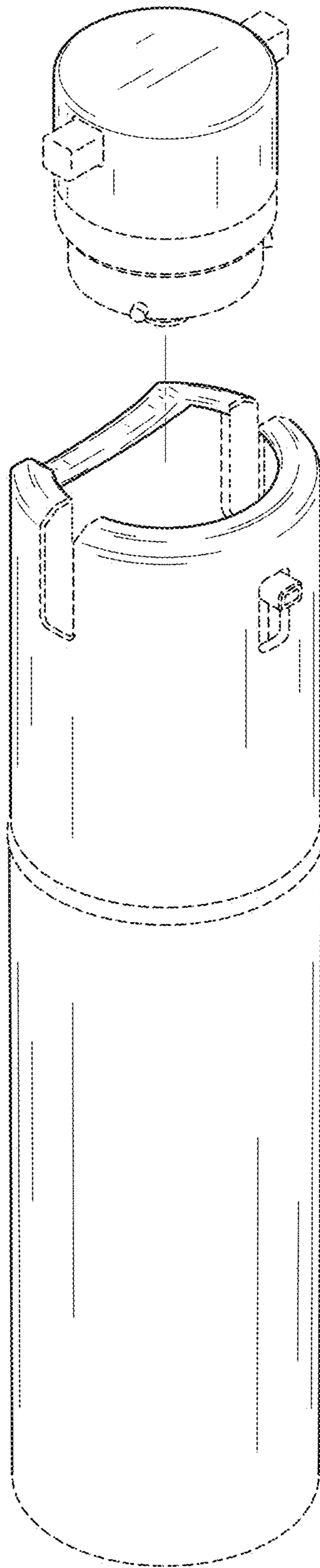


FIG. 6





**FIG. 7**

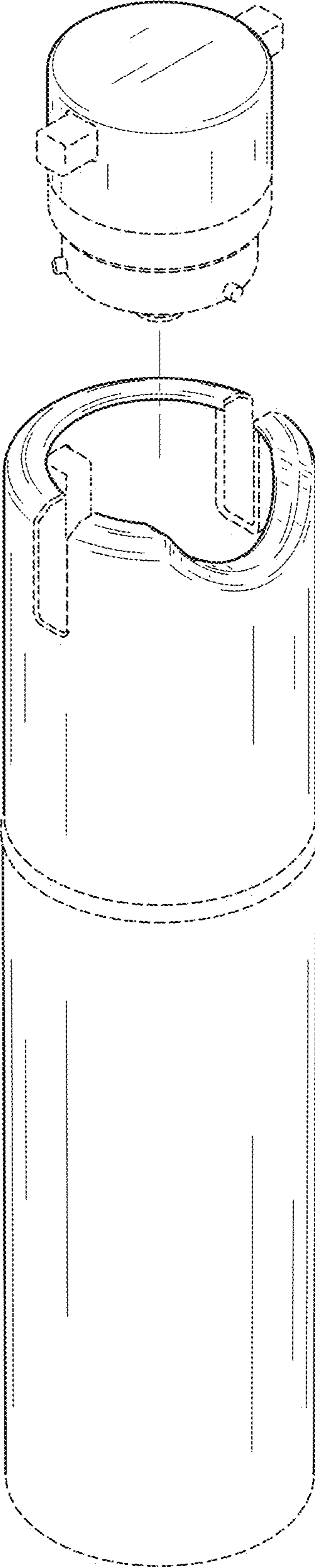


FIG. 8

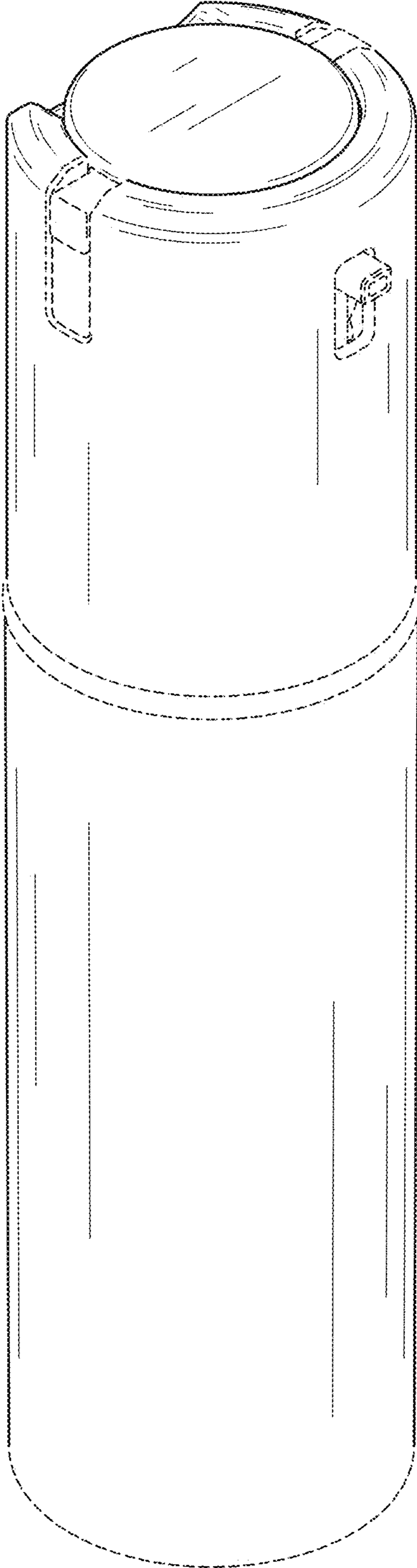


FIG. 9