



US00D947031S

(12) **United States Design Patent** (10) **Patent No.:** **US D947,031 S**
Boehm et al. (45) **Date of Patent:** **** Mar. 29, 2022**

(54) **DOSAGE DISPENSER**

(56) **References Cited**

(71) Applicant: **3M INNOVATIVE PROPERTIES COMPANY**, St. Paul, MN (US)
(72) Inventors: **Andreas J. Boehm**, Reichling (DE); **Marc Peuker**, Schondorf (DE); **Giuseppe De Bellis**, San Donato Milanese (IT); **Stefan Eckstein**, Munich (DE); **Kristina Hinz**, Munich (DE)
(73) Assignee: **3M Innovative Properties Company**, St. Paul, MN (US)
(**) Term: **15 Years**
(21) Appl. No.: **29/788,006**
(22) Filed: **Feb. 8, 2021**

U.S. PATENT DOCUMENTS

D258,497 S	3/1981	Hartmann	
D318,598 S	7/1991	Plough	
5,492,252 A	2/1996	Gueret	
D374,399 S	10/1996	Neveras	
D381,909 S	8/1997	Sayers	
D381,910 S	8/1997	Sayers	
D431,410 S	10/2000	Huang	
D473,457 S	4/2003	Reinoso	
D489,616 S *	5/2004	Bakic	D9/447
D503,888 S	4/2005	Garcia	
D504,818 S	5/2005	Bakic	
D511,095 S	11/2005	Auer	
D513,384 S *	1/2006	Perry	D9/445
D532,308 S *	11/2006	Davies	D9/522
D540,189 S	4/2007	Larocca	
D548,601 S *	8/2007	Mongeon	D9/435
D553,417 S	10/2007	Schreitmueller	
D553,800 S	10/2007	Hollmann	
D555,970 S	11/2007	Schreitmueller	

(Continued)

Related U.S. Application Data

(63) Continuation of application No. 29/667,734, filed on Oct. 24, 2018, now Pat. No. Des. 913,101.

Foreign Application Priority Data

May 3, 2018 (EM) 005255890

(51) **LOC (13) Cl.** **09-01**

(52) **U.S. Cl.**
USPC **D9/529; D9/575**

(58) **Field of Classification Search**
USPC D9/686, 500-505, 516, 529, 543, 545, D9/549, 557, 558, 575, 428, 429, 435, D9/443, 446, 447, 449; D7/312, 313, D7/590; D24/121, 152, 156, 176, 181
CPC B65D 55/0818; B65D 47/0809; B65D 2203/02
See application file for complete search history.

OTHER PUBLICATIONS

U.S. Appl. No. 29/788,007, filed Feb. 8, 2021 entitled Dosage Dispenser.

Primary Examiner — Sharon S Oum

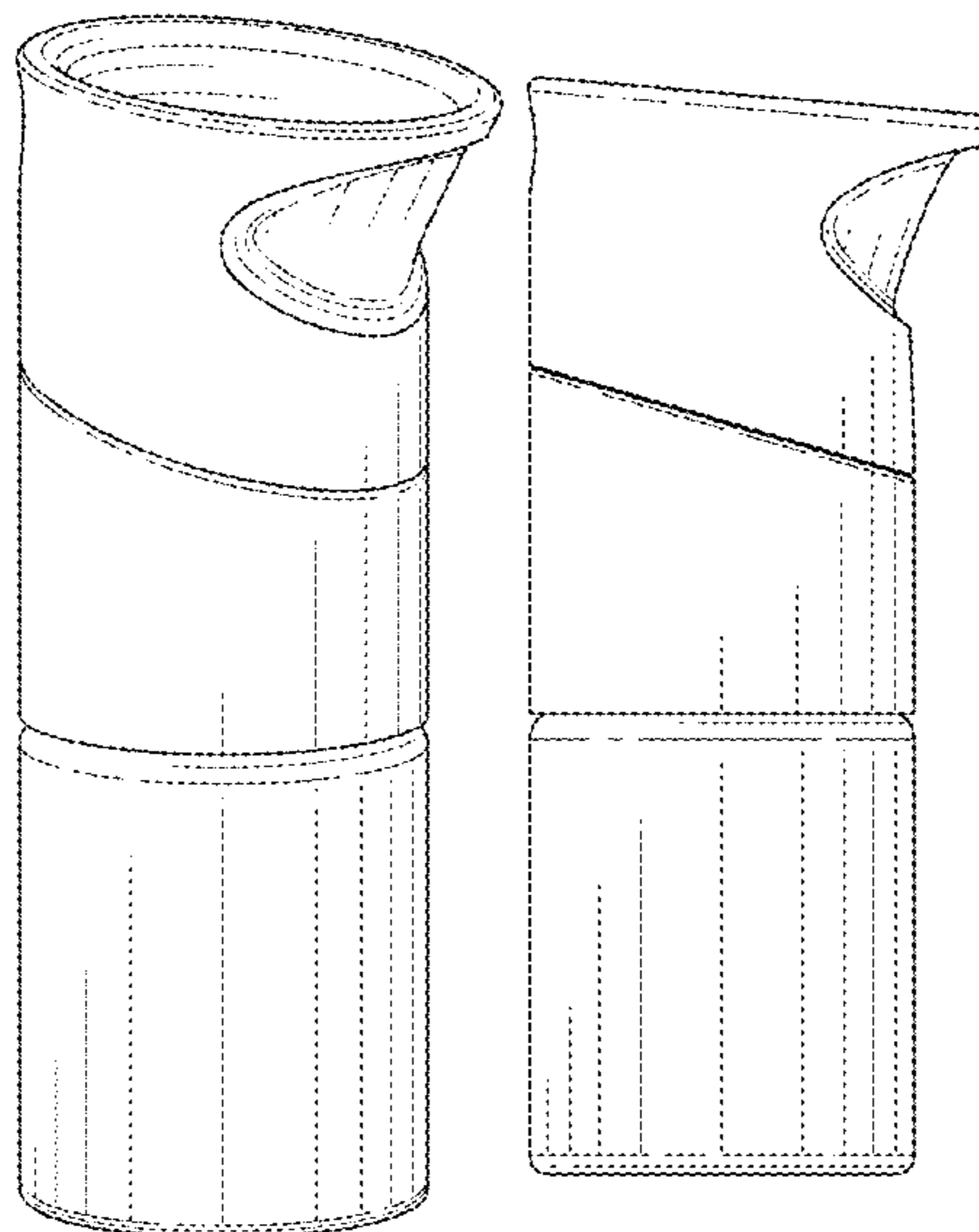
(57) **CLAIM**

The ornamental design for a dosage dispenser, as shown and described.

DESCRIPTION

FIG. 1 is a perspective view of a dosage dispenser showing the new design.
FIG. 2 is a front view thereof;
FIG. 3 is a rear view thereof;
FIG. 4 is a left-side view thereof, the right-side view being a mirror image thereof;
FIG. 5 is a top view thereof; and,
FIG. 6 is a bottom plan view thereof.

1 Claim, 3 Drawing Sheets



(56)

References Cited

U.S. PATENT DOCUMENTS

D562,080	S	2/2008	Jossem	
D566,558	S	4/2008	Bakic	
D581,791	S	12/2008	Bakic	
D599,670	S	9/2009	Qin	
D650,696	S	12/2011	Peden, III	
D651,518	S *	1/2012	Padain D9/529
D652,668	S	1/2012	Wang	
D677,572	S	3/2013	Papiernik	
D688,918	S	9/2013	Jin	
D692,762	S	11/2013	Walter	
D692,763	S *	11/2013	Walter D9/504
D693,223	S *	11/2013	Walter D9/504
D715,948	S *	10/2014	Peuker D24/176
D726,322	S *	4/2015	Peuker D24/176
D739,251	S	9/2015	Kawai	
D748,949	S	2/2016	Long, Sr.	
D758,195	S	6/2016	Braz	
D789,200	S	6/2017	Deringer	
D789,796	S *	6/2017	McSweeney D9/542
D882,409	S	4/2020	Wong	
D913,101	S	3/2021	Boehm	
11,059,641	B2 *	7/2021	Peuker B65D 55/0818
D932,906	S *	10/2021	Schulz D9/549
2012/0273523	A1	11/2012	Walter	
2020/0140164	A1	5/2020	Peuker	
2021/0171247	A1 *	6/2021	Boehm B65D 47/0809

* cited by examiner

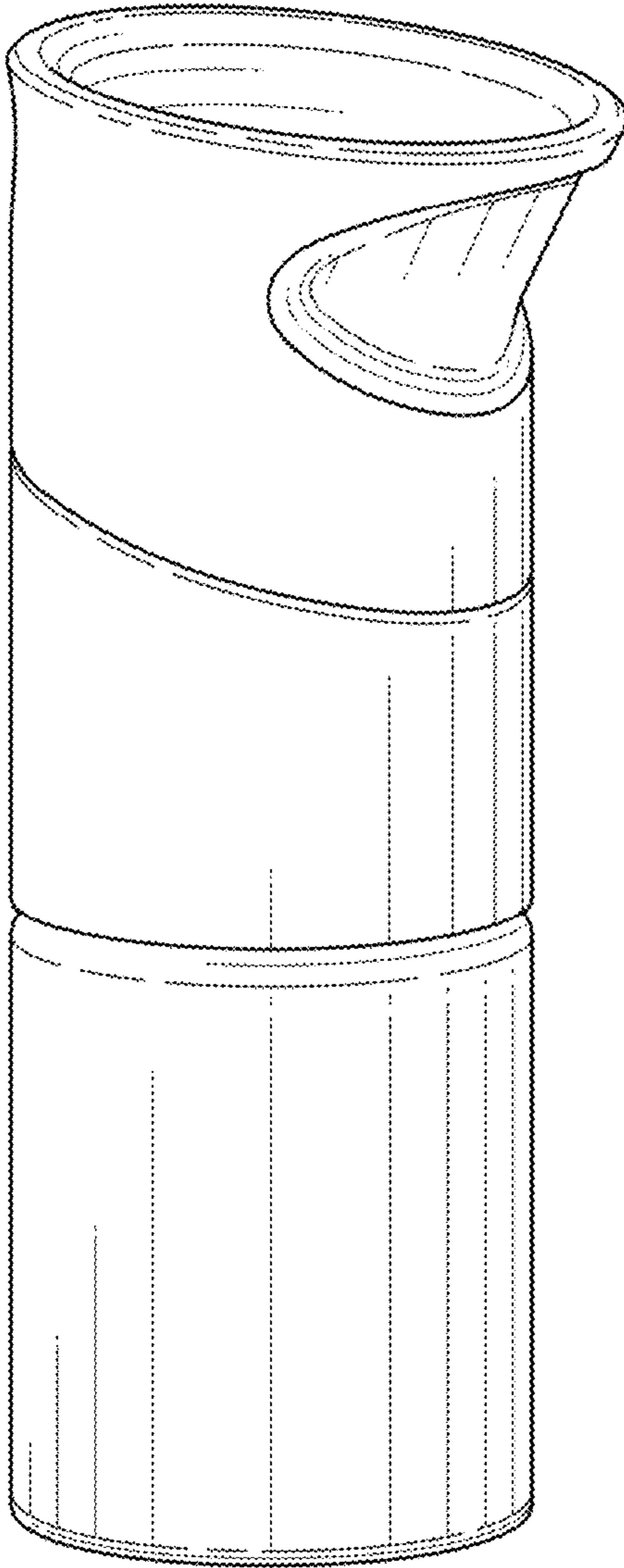


FIG. 1

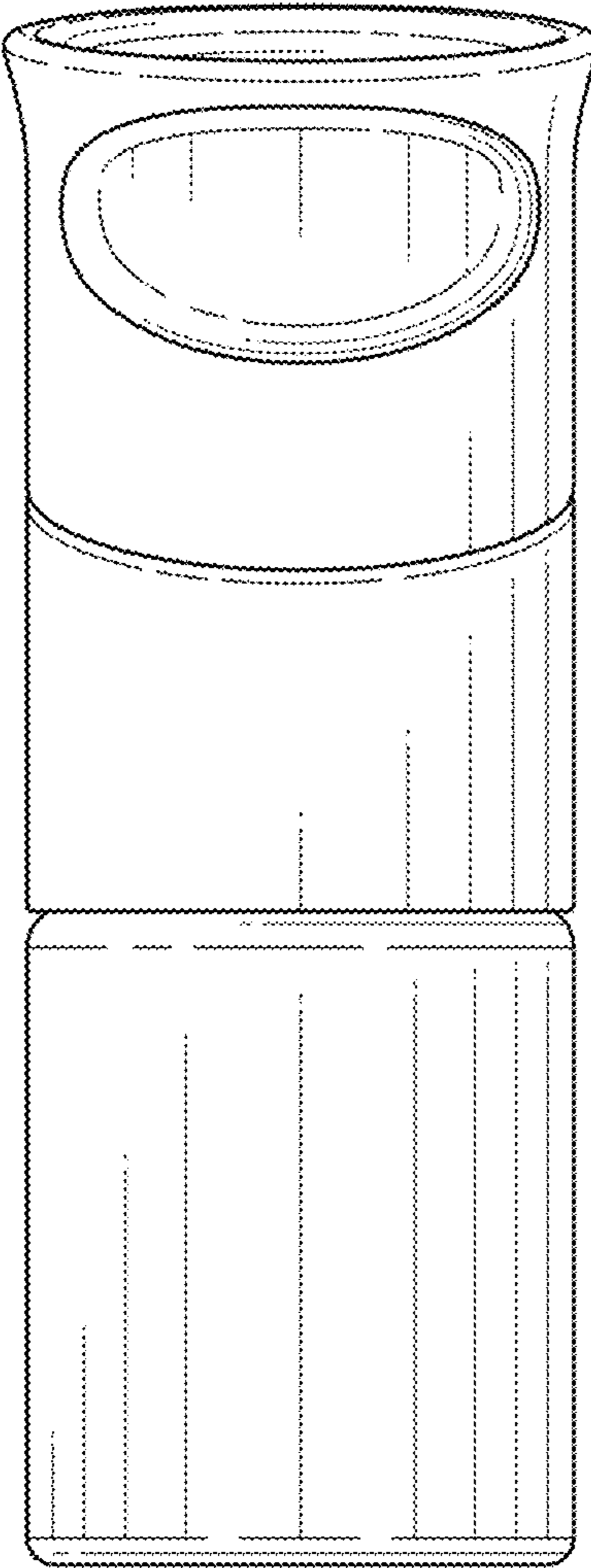


FIG. 2

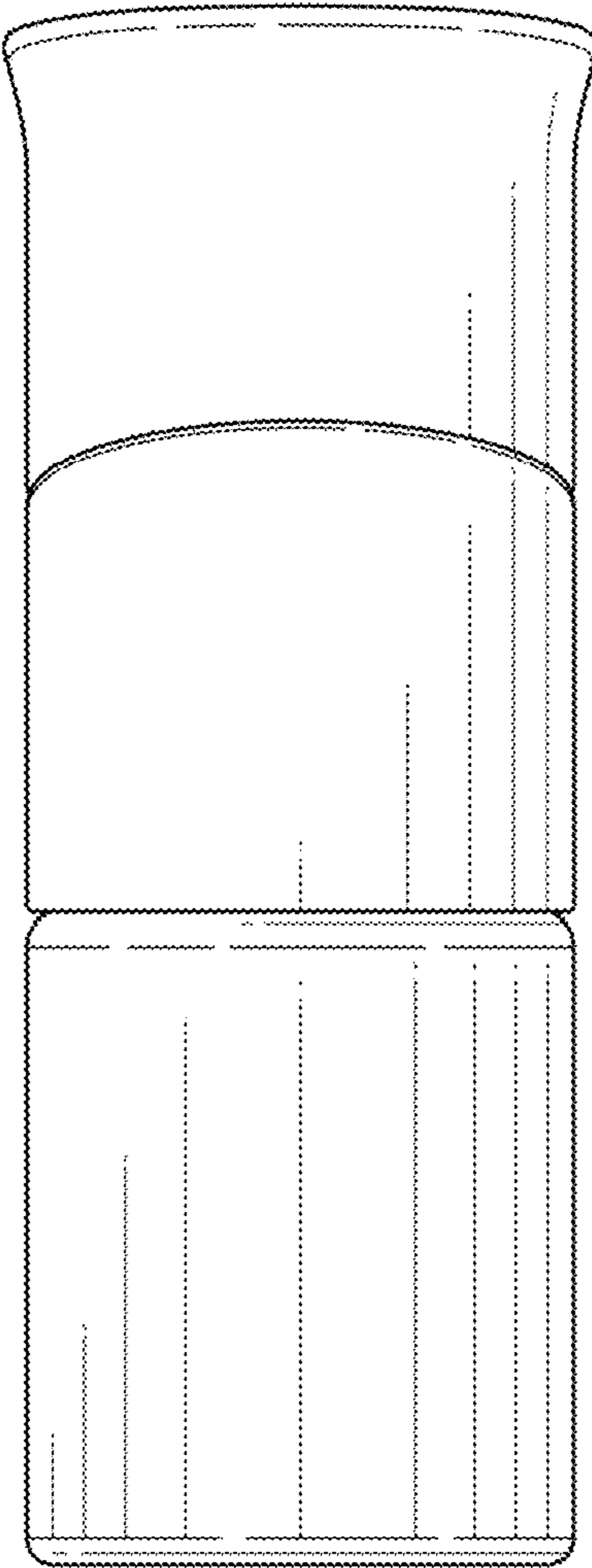


FIG. 3

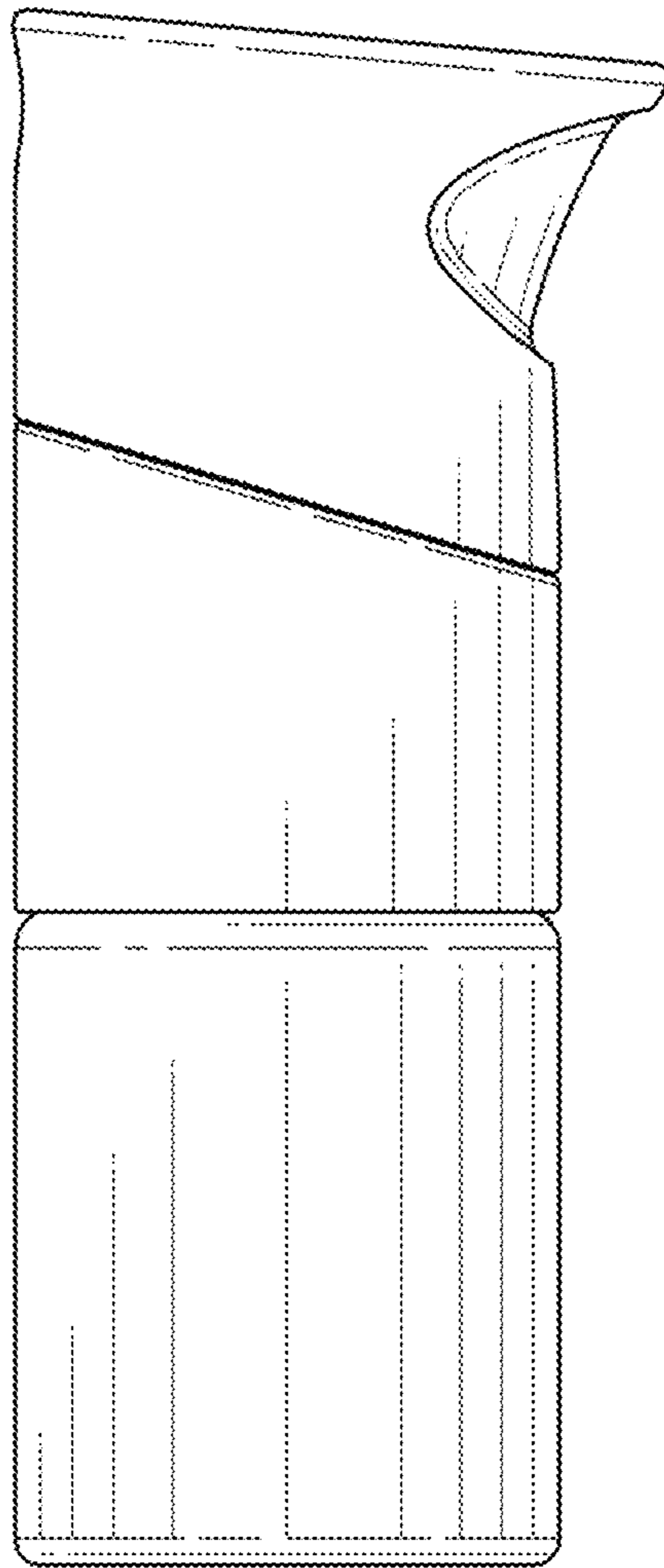


FIG. 4

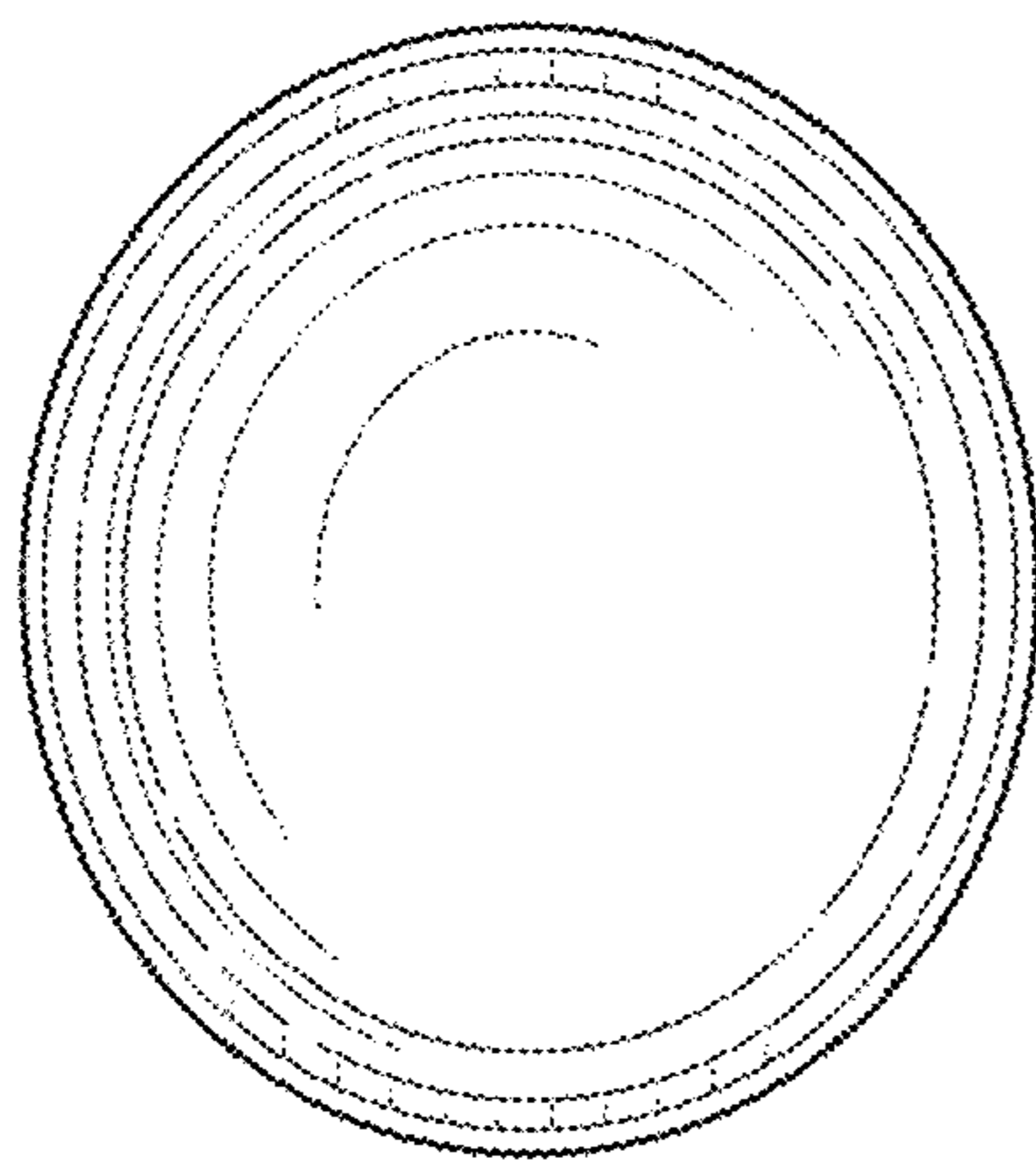


FIG. 5

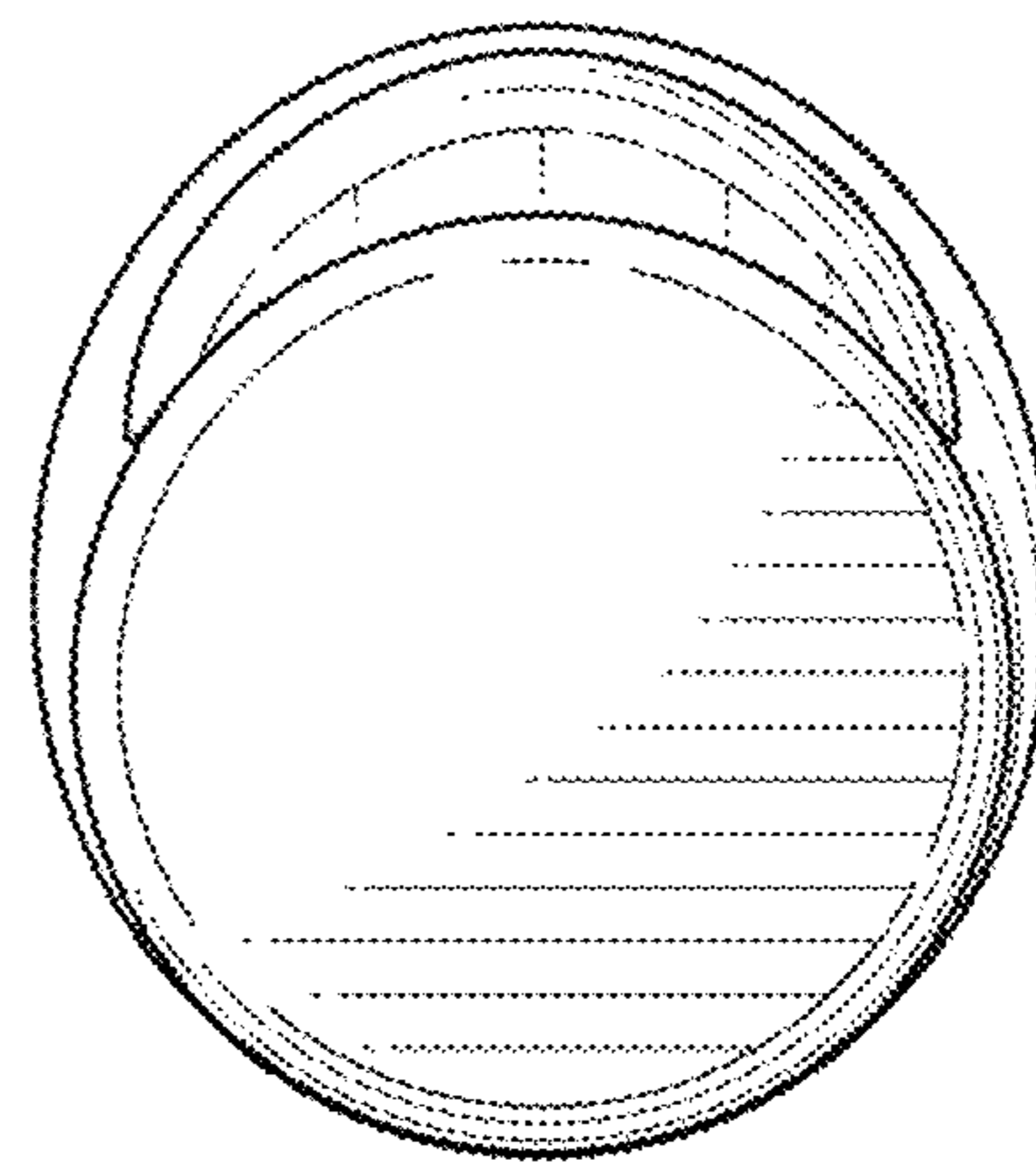


FIG. 6