



US00D947029S

(12) **United States Design Patent**
Brandenburg

(10) **Patent No.:** **US D947,029 S**
(45) **Date of Patent:** **** Mar. 29, 2022**

- (54) **BOTTLE**
- (71) Applicant: **Brandywine Product Group International, Inc.**, Wilmington, DE (US)
- (72) Inventor: **Kyle Brandenburg**, Middletown, DE (US)
- (73) Assignee: **Brandywine Product Group International, Inc.**, Wilmington, DE (US)

4,304,688 A	12/1981	Mori	
D274,132 S	6/1984	Nightingale, III	
D386,412 S *	11/1997	Heinz	D9/500
6,446,880 B1	9/2002	Schram et al.	
D591,169 S	4/2009	Otsuka	
D609,571 S	2/2010	Butler	
D627,894 S	11/2010	Sirota	
D627,895 S *	11/2010	Pheil	D24/197

(Continued)

- (**) Term: **15 Years**
- (21) Appl. No.: **29/810,994**
- (22) Filed: **Oct. 11, 2021**

Related U.S. Application Data

- (62) Division of application No. 29/735,334, filed on May 20, 2020, now Pat. No. Des. 935,886.
- (51) **LOC (13) Cl.** **09-01**
- (52) **U.S. Cl.**
USPC **D9/503; D9/454**
- (58) **Field of Classification Search**
USPC D9/434, 500, 502-504, 516, 530, 537, D9/539, 549, 558, 715, 719, 723-724, D9/726; D4/114, 116; D24/117
CPC B65D 1/00; B65D 1/02; B65D 1/0223; B65D 2501/00; B65D 2501/0009; A45D 34/042; A45D 34/045; A45D 2200/053; A46B 11/00; A46B 11/001
See application file for complete search history.

(56) **References Cited**

U.S. PATENT DOCUMENTS

- 2,997,731 A * 8/1961 Schultz A45D 34/041 401/213
- D205,248 S * 7/1966 Zona D9/504

FOREIGN PATENT DOCUMENTS

WO	2010134164 A1	11/2010
WO	2017216548 A1	12/2017

OTHER PUBLICATIONS

AirWick Essential Mist Refill Bottle, <https://www.target.com/p/airwick-essential-mist-lavender-almond-blossom-air-freshener-refill-0-67oz/-/A-53052679> (May 17, 2020).

Primary Examiner — Dana Meyrow

(74) *Attorney, Agent, or Firm* — Rogowski Law LLC

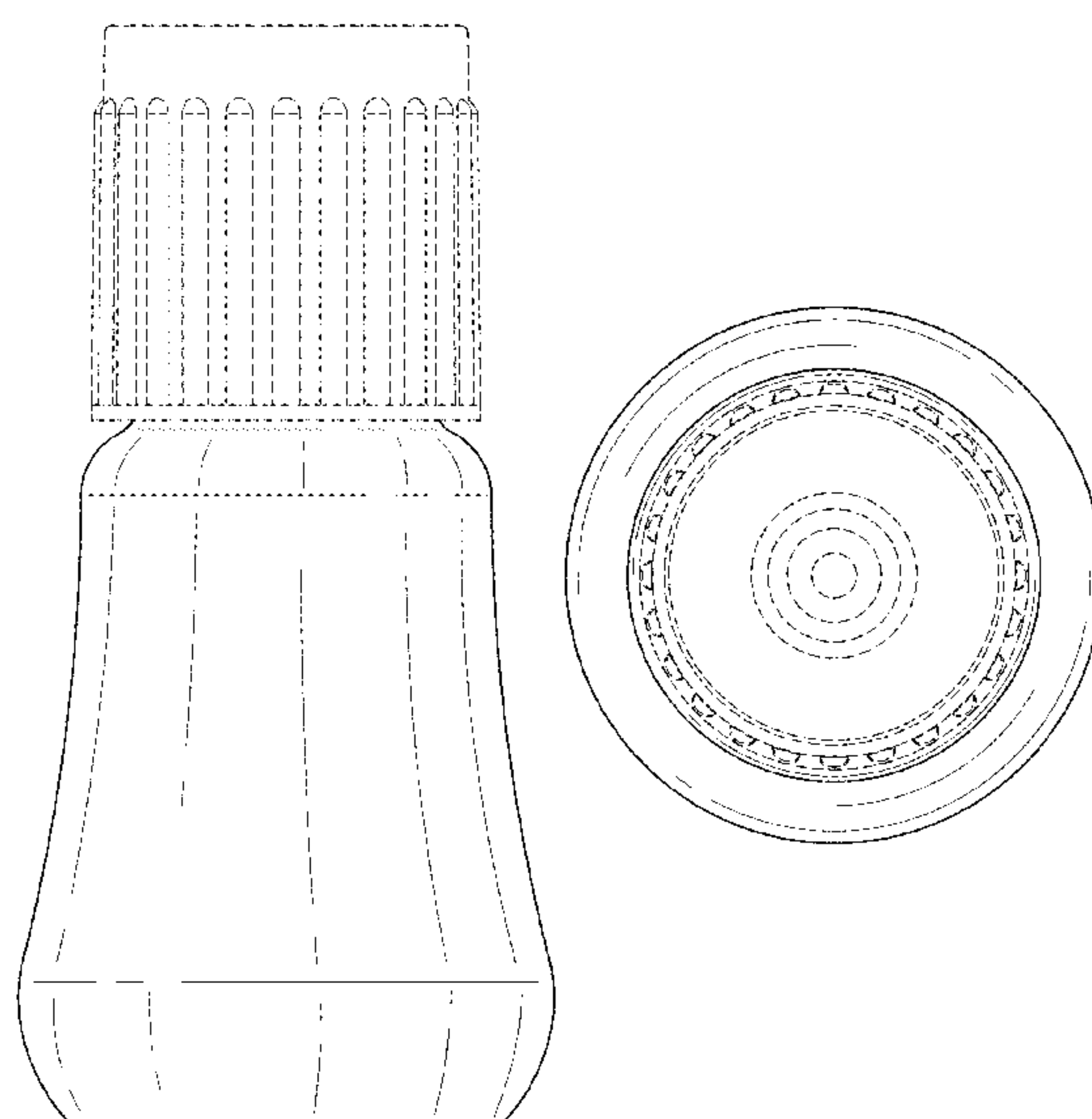
(57) **CLAIM**

The ornamental design for bottle, as shown and described.

DESCRIPTION

FIG. 1 is a right, front perspective view of a bottle according to the present invention;
 FIG. 2 is a right side elevational view of the bottle of FIG. 1;
 FIG. 3 is a left side elevational view of the bottle of FIG. 1;
 FIG. 4 is a front elevational view of the bottle of FIG. 1;
 FIG. 5 is a rear elevational view of the bottle of FIG. 1;
 FIG. 6 is a top plan view of the bottle of FIG. 1; and,
 FIG. 7 is a bottom plan view of the bottle of FIG. 1.
 The evenly-dashed broken lines in the drawings illustrate the portions of the bottle that form no part of the claim. The dot-dash broken line in FIG. 7 defines the bounds of the claim and form no part thereof.

1 Claim, 4 Drawing Sheets



(56)

References Cited

U.S. PATENT DOCUMENTS

D648,857	S	11/2011	Pheil	
D673,452	S *	1/2013	Handy	D9/500
D685,638	S	7/2013	DeMarco	
D703,054	S	4/2014	DeMarco	
D709,374	S	7/2014	Wilcox	
D719,448	S	12/2014	Pires	
D721,966	S	2/2015	Mathiez	
8,955,765	B2	2/2015	Porchia et al.	
D739,735	S	9/2015	Darling	
D754,544	S	4/2016	Darling	
D756,789	S	5/2016	Darling	
9,393,333	B2	7/2016	Barlow et al.	
9,586,228	B2	3/2017	Roemburg et al.	
D795,697	S	8/2017	Reggiani	
9,877,359	B2	1/2018	Duffield et al.	
9,924,566	B2	3/2018	Duffield et al.	
10,071,179	B2	9/2018	Duffield	
D833,874	S	11/2018	Harrison	
D833,875	S	11/2018	Harrison	
10,143,768	B2	12/2018	Roemburg et al.	
D933,245	S *	10/2021	Clores	D24/197
D935,886	S *	11/2021	Brandenburg	D9/503
2016/0151528	A1	6/2016	Duffield	
2017/0274405	A1	9/2017	Lucas et al.	

* cited by examiner

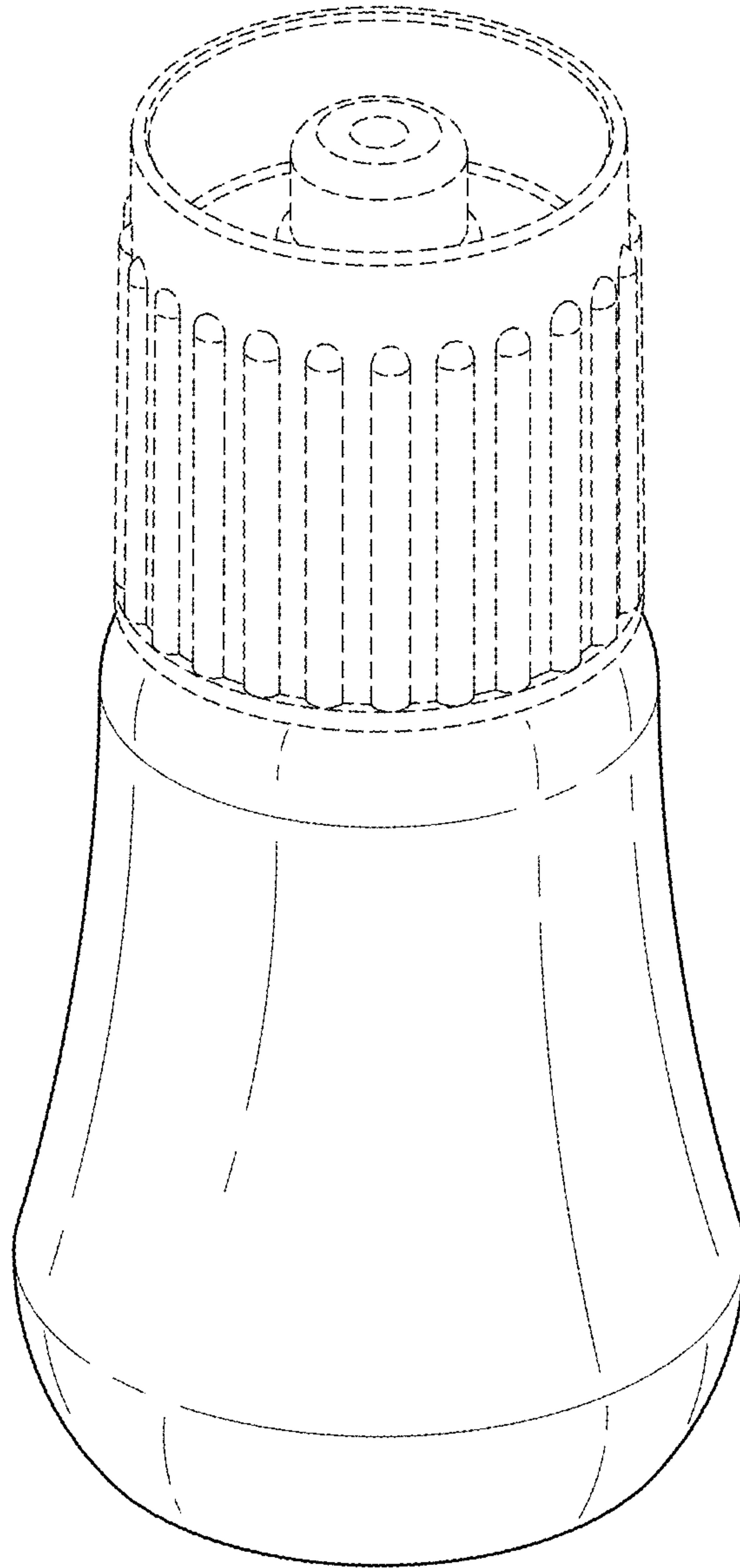


FIG. 1

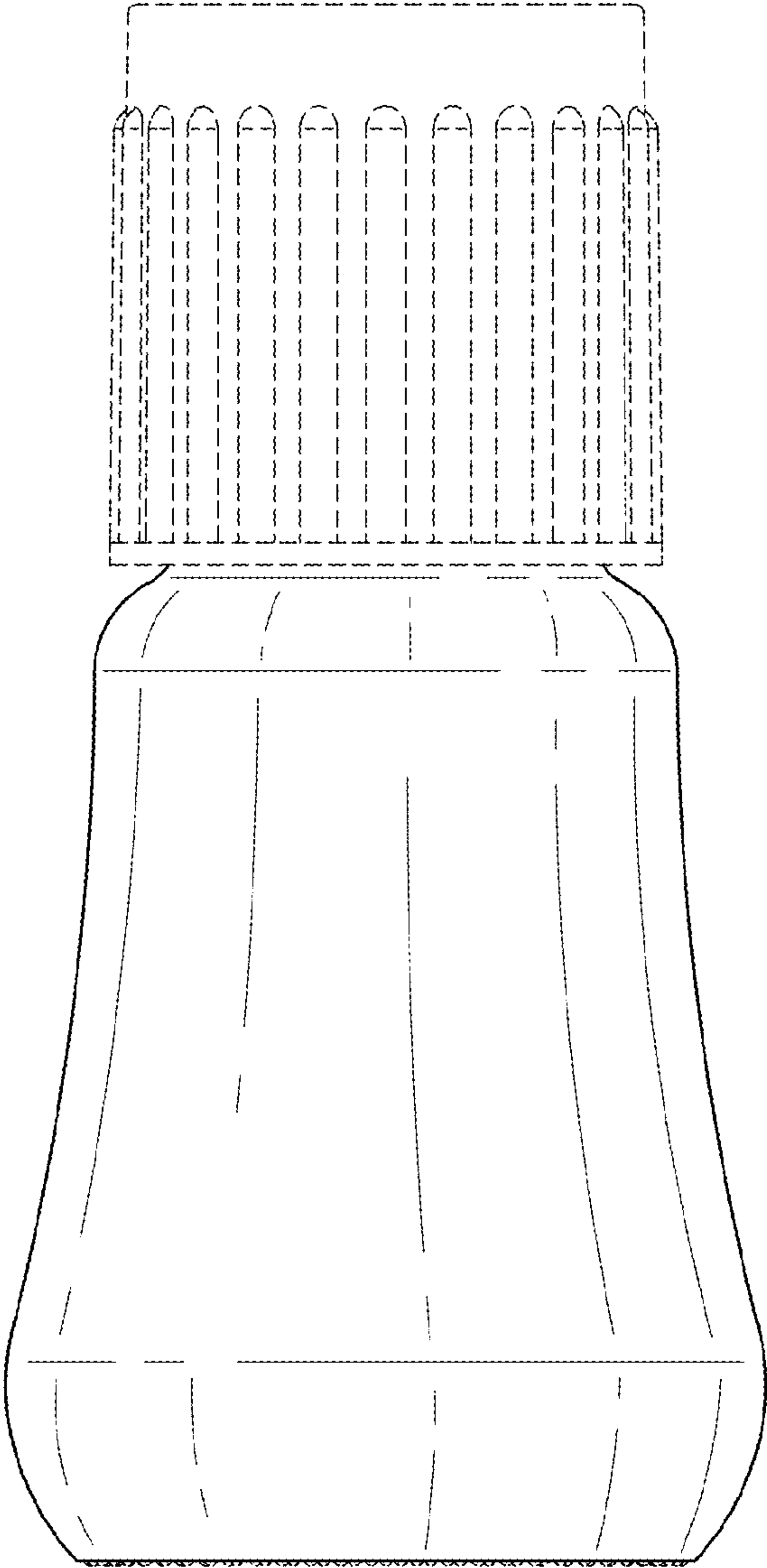


FIG. 2

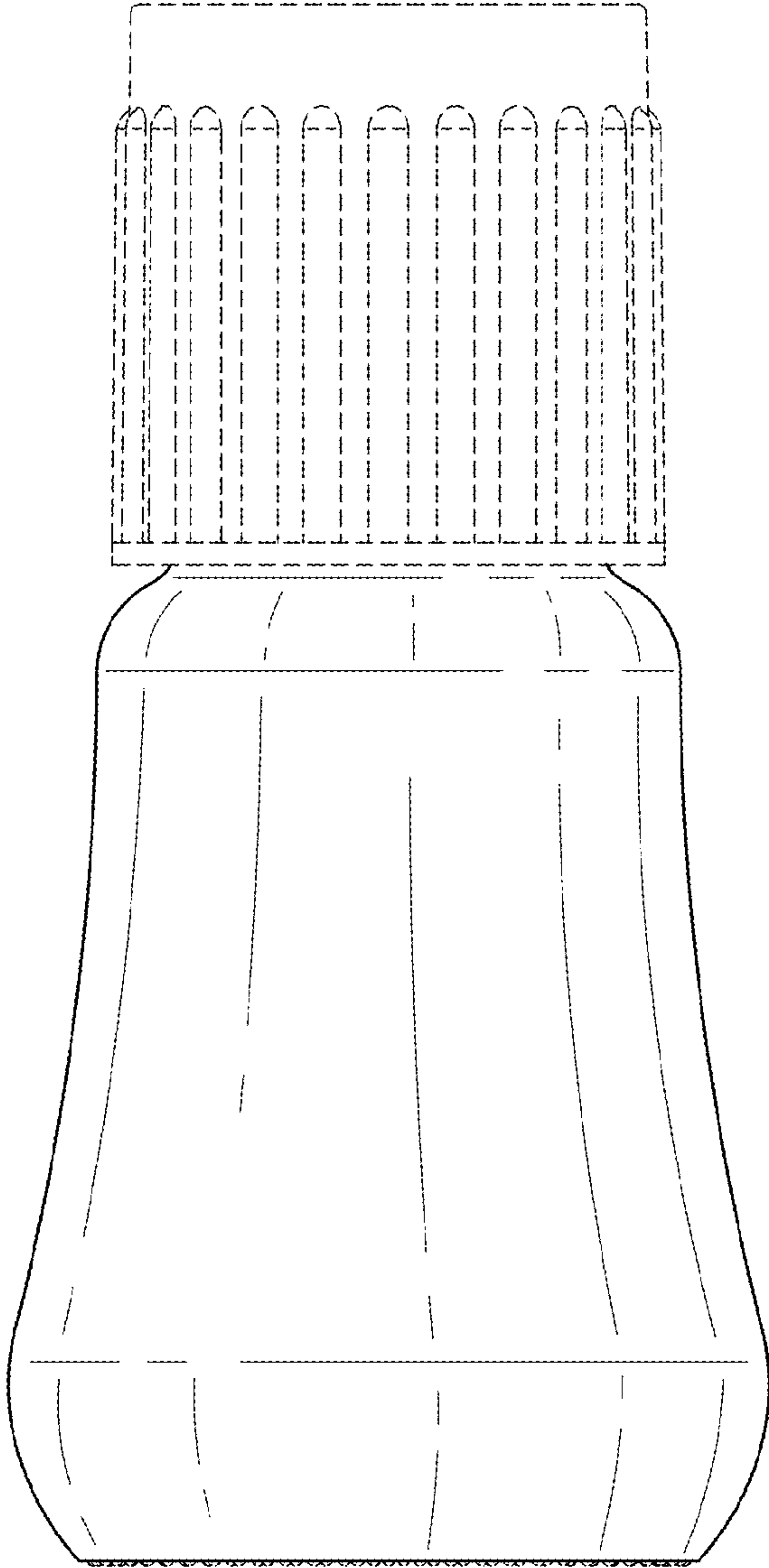


FIG. 3

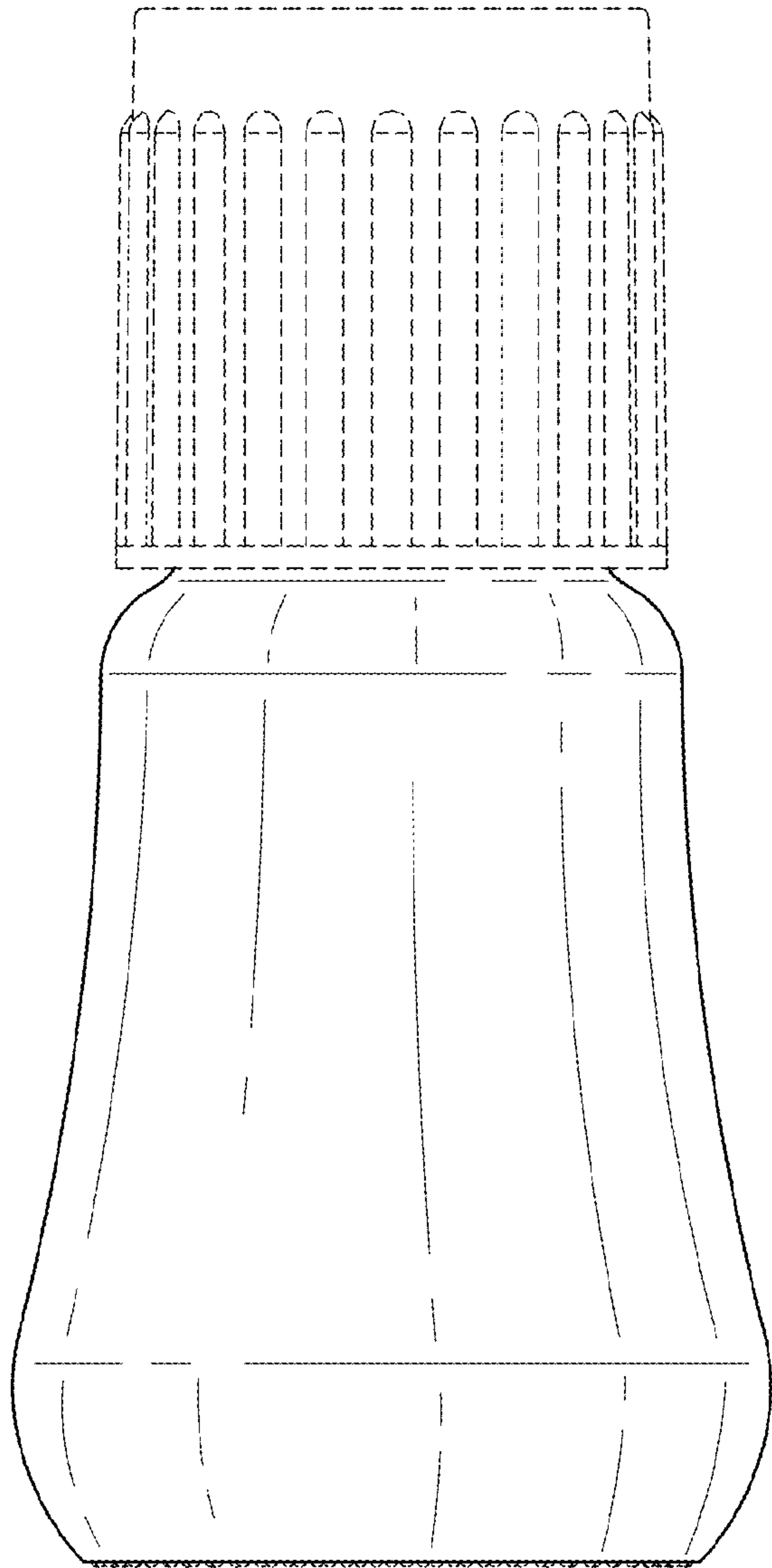


FIG. 4

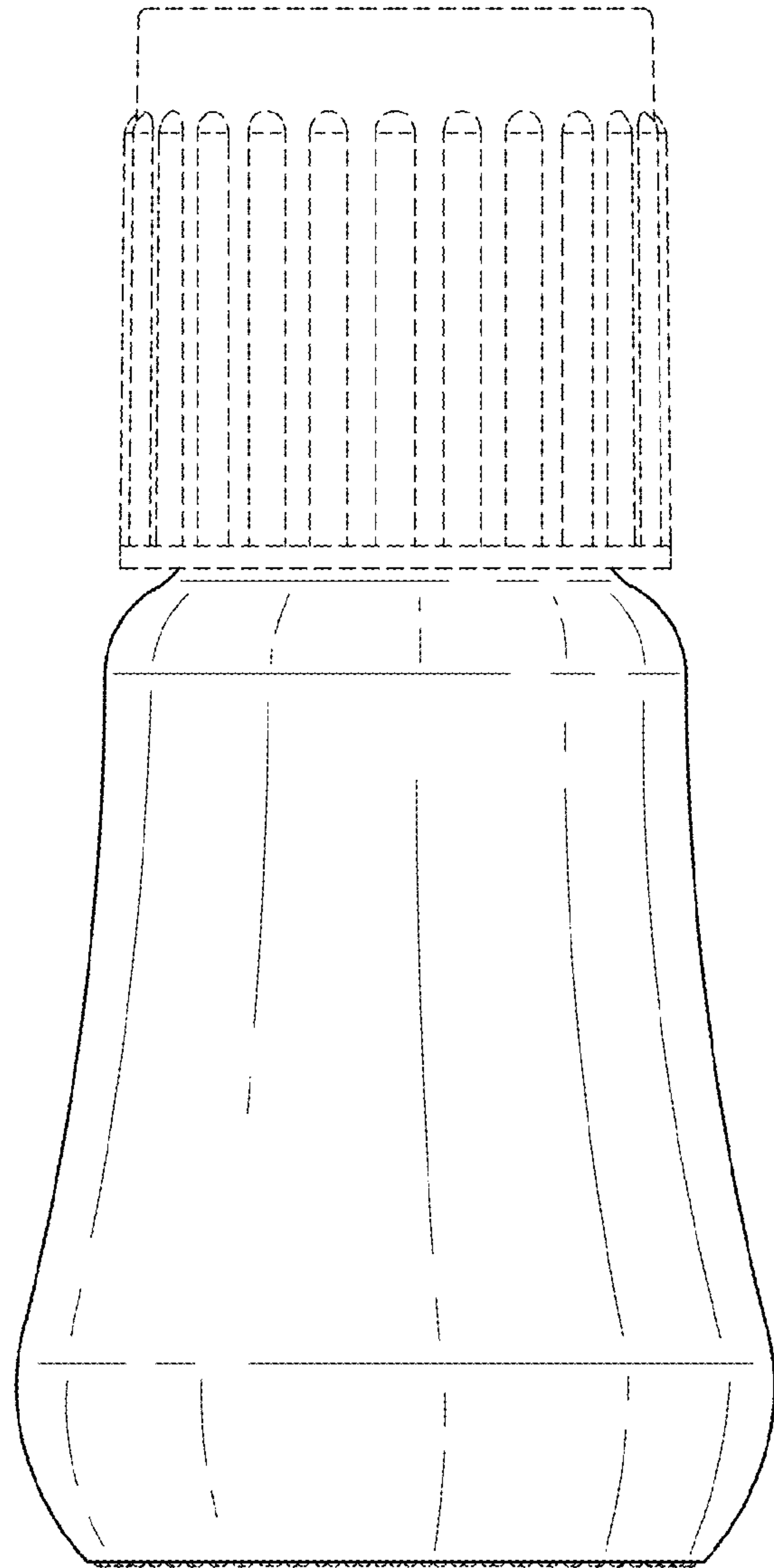


FIG. 5

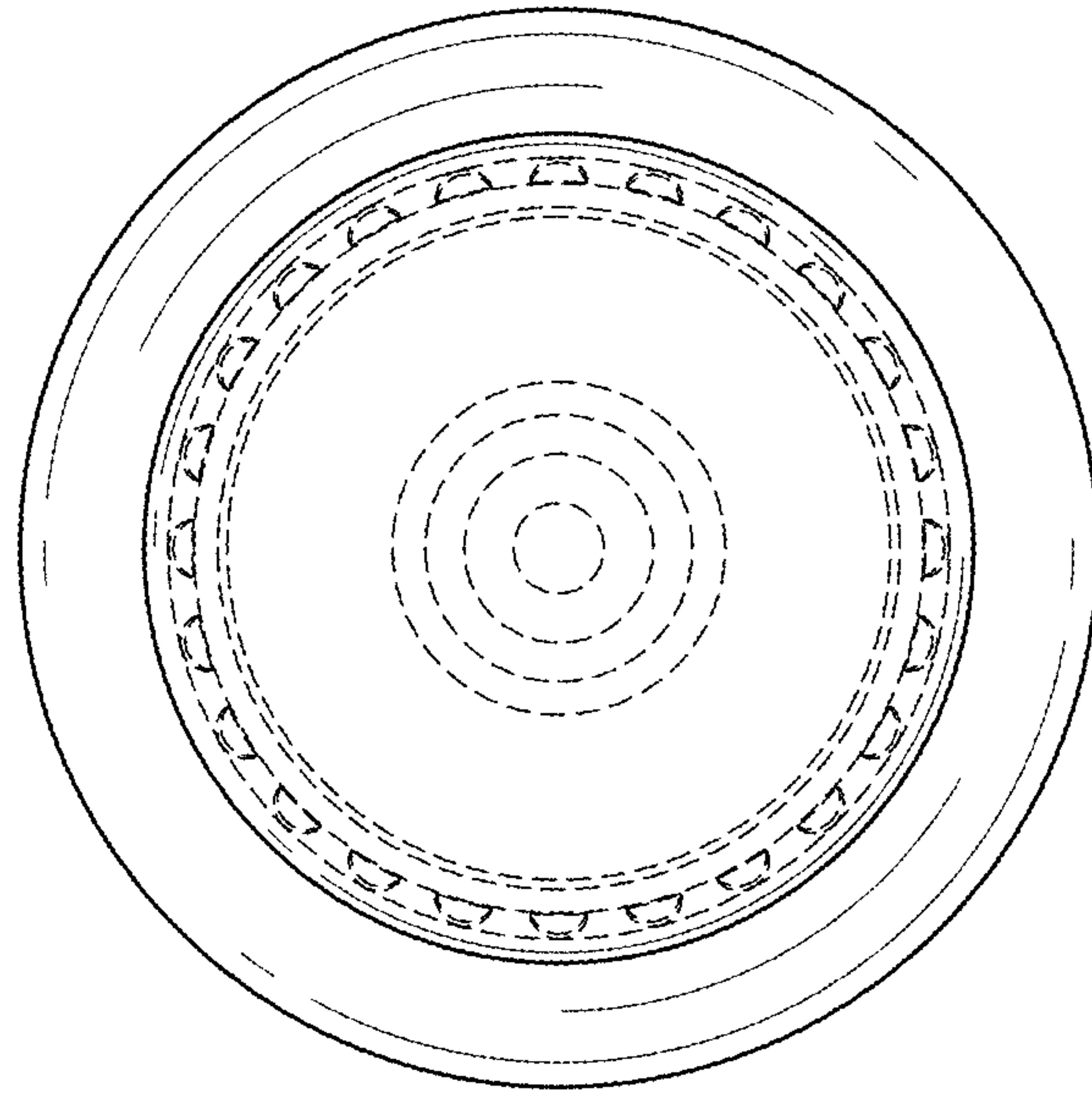


FIG. 6

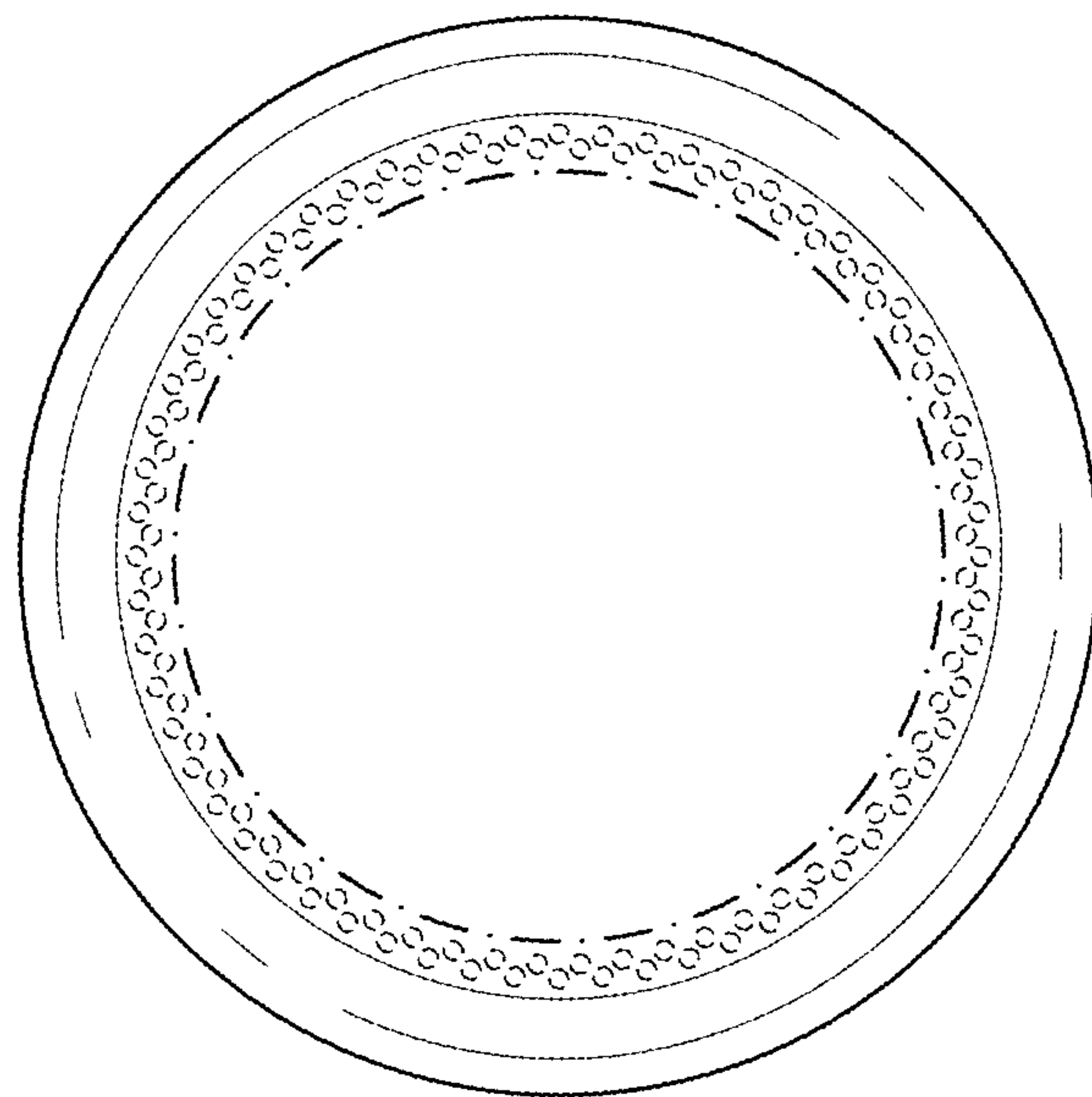


FIG. 7