



US00D947028S

(12) **United States Design Patent**
Wu

(10) **Patent No.:** **US D947,028 S**
(45) **Date of Patent:** **** Mar. 29, 2022**

- (54) **BOTTLE WITH FLIP-TOP CAP**
- (71) Applicant: **Johnson & Johnson Surgical Vision, Inc.**, Santa Ana, CA (US)
- (72) Inventor: **Robin Wu**, Osaka (JP)
- (73) Assignee: **Johnson & Johnson Surgical Vision, Inc.**, Irvine, CA (US)
- (**) Term: **15 Years**
- (21) Appl. No.: **29/723,538**
- (22) Filed: **Feb. 7, 2020**
- (51) **LOC (13) Cl.** **09-01**
- (52) **U.S. Cl.**
USPC **D9/503**; D9/549
- (58) **Field of Classification Search**
USPC D9/500–505, 516, 519, 523, 529, 549,
D9/550, 556, 558, 563, 575, 547, 548,
D9/452, 453, 635, 686, 435, 440, 445,
D9/447, 449; D30/199
CPC B65D 1/0246; B65D 41/04; B65D 1/0223;
B65D 2543/00092; Y10S 220/906
See application file for complete search history.

- D455,077 S * 4/2002 Gaiser D9/449
 - D487,872 S * 3/2004 De Baschmakoff D9/500
 - D504,818 S 5/2005 Bakic
 - D508,853 S * 8/2005 Ziegenhorn D9/449
 - D519,029 S 4/2006 Hicks
- (Continued)

OTHER PUBLICATIONS

Jonathan R, Aug. 2, 2018, ClearCARE Amazon Review Post, URL: https://www.amazon.com/CLEAR-Cleaning-Disinfection-Solution-12-Ounces/dp/B00005Q50D/ref=asc_df_B00005Q50D/?tag=&linkCode=df0&hvadid=343220108089&hvpos=&hvnetw=g&hvrnd=3575191114155695674&hvpone=&hvptwo=&hvqmt=&hvdev=c&hvdvcmdl=&hvlocint=&hvlocph (Year: 2018).*

(Continued)

Primary Examiner — Brett Miller
Assistant Examiner — Rani J Abdallah

(57) **CLAIM**

The ornamental design for a bottle with flip-top cap, as shown and described.

DESCRIPTION

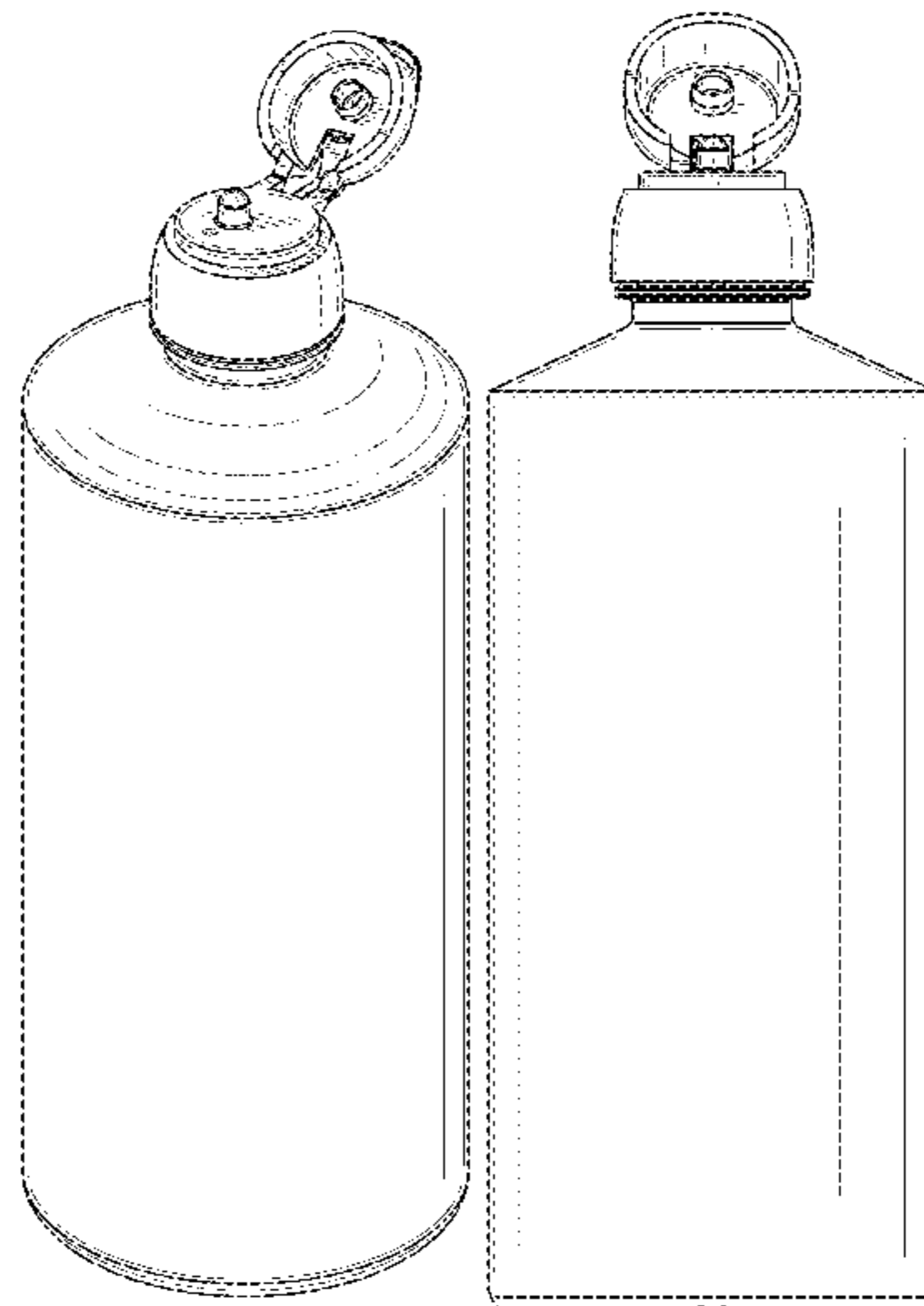
FIG. 1 is a front, right, top perspective view of a bottle with flip-top cap showing our new design;
FIG. 2 is a front elevational view of the bottle with flip-top cap shown in FIG. 1;
FIG. 3 is a right-side elevational view of the bottle with flip-top cap shown in FIG. 1;
FIG. 4 is a back elevational view of the bottle with flip-top cap shown in FIG. 1;
FIG. 5 is a left side elevational view of the bottle with flip-top cap shown in FIG. 1;
FIG. 6 is a top end view of the bottle with flip-top cap shown in FIG. 1; and,
FIG. 7 is a bottom end view of the bottle with flip-top cap shown in FIG. 1.
The broken lines shown illustrate portions of the bottle with flip-top cap that form no part of the claimed design.

1 Claim, 6 Drawing Sheets

(56) **References Cited**

U.S. PATENT DOCUMENTS

- 2,313,031 A * 3/1943 Parkhurst B65D 35/08
222/107
- D298,014 S 10/1988 McGlyn
- D306,701 S 3/1990 Beck
- D312,570 S * 12/1990 Lunderman D9/516
- D333,435 S 2/1993 Blair
- D350,482 S 9/1994 Hu
- D362,186 S 9/1995 Thanisch
- D367,424 S 2/1996 Thanisch
- D374,399 S * 10/1996 Neveras D9/447
- D391,484 S 3/1998 Santagiuliana
- 5,967,384 A * 10/1999 Mengeu B65D 47/089
222/517
- D438,799 S * 3/2001 Anderson D9/449
- D451,392 S 12/2001 Kitamura



(56)

References Cited

U.S. PATENT DOCUMENTS

D524,650 S 7/2006 Sitomer
 D537,342 S 2/2007 Smith
 D547,184 S 7/2007 Kim
 D553,254 S * 10/2007 Colin D9/500
 D608,198 S 1/2010 Lohrman
 D608,199 S 1/2010 Gross
 D610,454 S 2/2010 Lohrman
 D612,729 S 3/2010 Lohrman
 D626,411 S 11/2010 Lohrman
 D640,134 S 6/2011 Rognard
 D672,650 S 12/2012 Wisniewski
 D673,044 S 12/2012 Wisniewski
 D688,554 S * 8/2013 Fracasso D9/449
 D707,125 S 6/2014 Santarelli
 D709,764 S * 7/2014 Gibb D9/449
 D713,723 S * 9/2014 den Boer D9/449
 D768,490 S 10/2016 Robinson
 D774,363 S * 12/2016 Seiders D9/504
 D780,579 S 3/2017 Kim
 D781,662 S * 3/2017 Seiders D9/504
 D798,712 S 10/2017 Fukumoto
 D804,309 S * 12/2017 Hines D9/500
 D820,088 S * 6/2018 Lauret D9/500
 D820,089 S * 6/2018 Lauret D9/500
 D822,501 S * 7/2018 Staab D9/503
 D829,557 S * 10/2018 Shmagin D9/500
 D844,433 S * 4/2019 Hall D9/500
 D854,414 S 7/2019 Michailides
 D856,804 S 8/2019 Levy
 D857,502 S 8/2019 Fracasso
 D859,153 S 9/2019 Ramsuer

D859,154 S 9/2019 Skillin
 D859,998 S * 9/2019 Lee D9/503
 D867,138 S 11/2019 Levy
 D867,139 S 11/2019 Levy
 D902,036 S * 11/2020 Wu D9/449
 D917,290 S * 4/2021 Bravman D9/500
 D926,579 S * 8/2021 Sanders D9/500
 D927,306 S * 8/2021 Chupak D9/500
 D929,862 S * 9/2021 Gold D9/500
 D930,478 S * 9/2021 Delbon D9/500
 D932,253 S * 10/2021 Ludolph D9/500
 D932,303 S * 10/2021 Kuo D9/503
 D937,088 S * 11/2021 Bravman D9/503
 D937,089 S * 11/2021 Bravman D9/503
 2004/0016714 A1 * 1/2004 Wood B65D 47/0828
 215/235

OTHER PUBLICATIONS

Vizulize, Aug. 20, 2019, Vizulize Facebook Product Post, URL: <https://www.facebook.com/vizulize/photos/a.277067955957871/989569318041061/?type=3&theater> (Year: 2019).*

Acuvue, Oct. 21, 2019, Acuvue Twitter Post, URL: <https://twitter.com/ACUVUE/status/1186441543940497408/photo/1> (Year: 2019).*

U.S. Appl. No. 29/723,535, filed Feb. 7, 2020.

Renu Fresh MPS Cross-section photo.

Renu Fresh MPS open cap photo.

Ebay Feb. 7, 2020 Lot—Bausch & Lomb ReNu Bottles: <https://www.ebay.com/i/323751929716?chn=1&mkevt=1&mkrid=711-117182-37290-0&mkcid=2&itemid=323751929716&targetid=856577>.

* cited by examiner

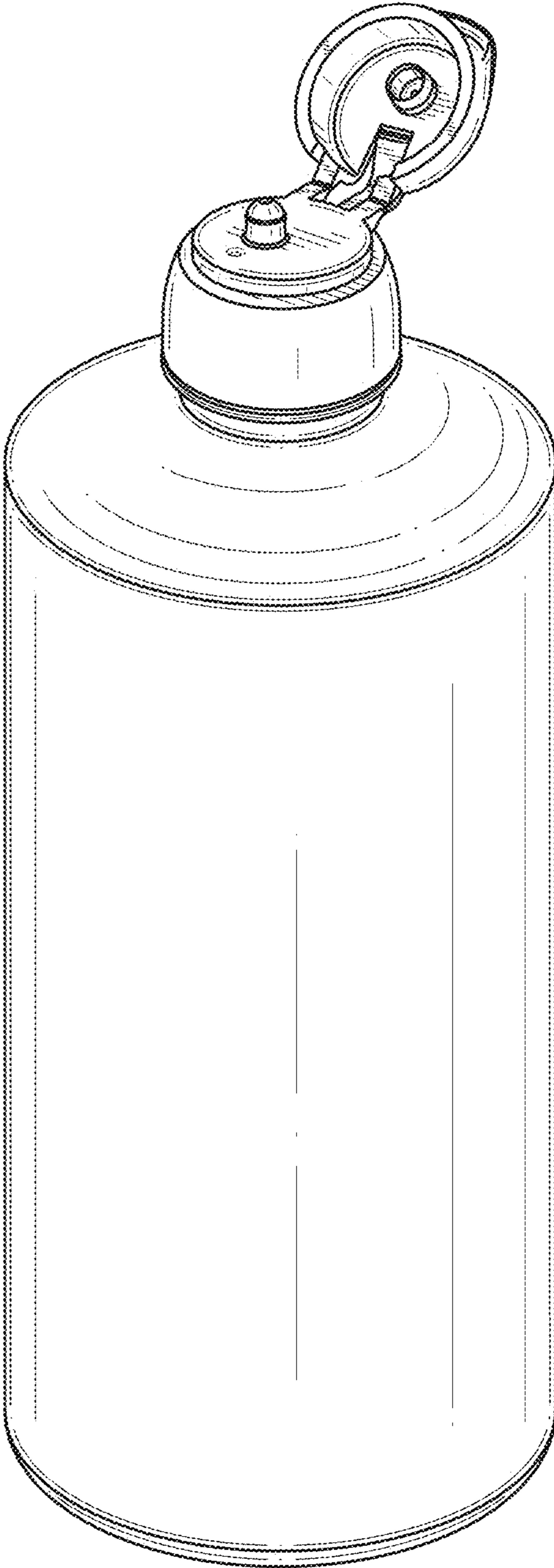


FIG. 1

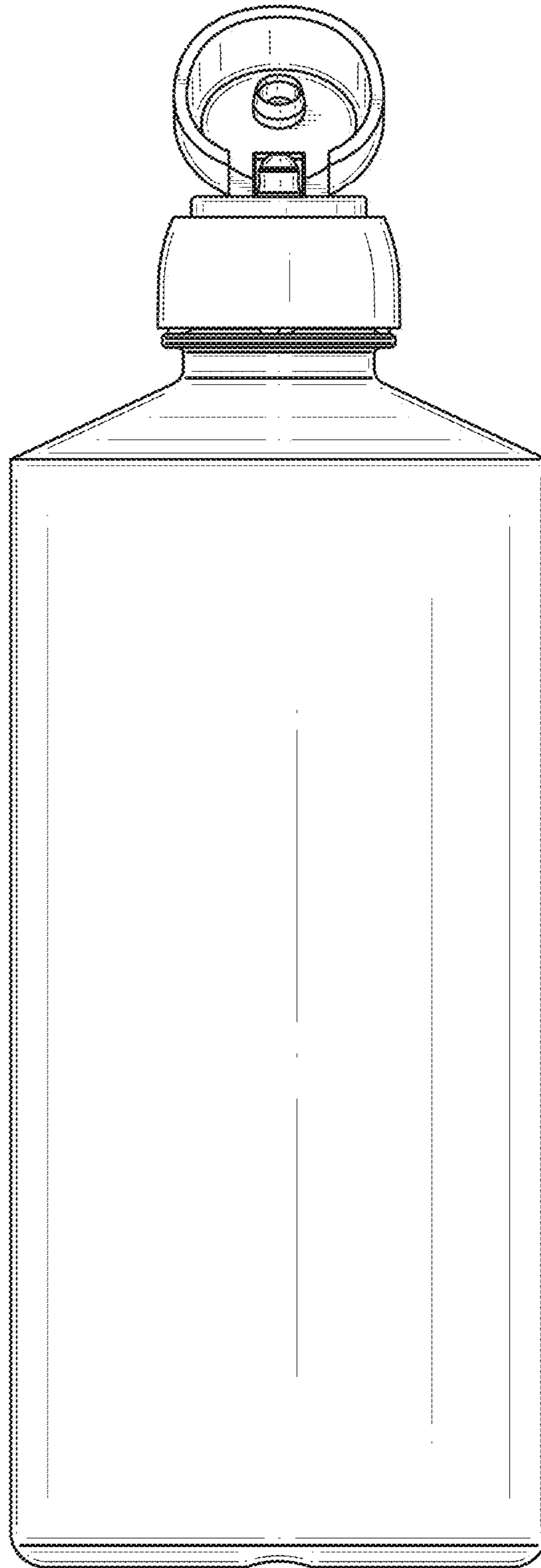


FIG. 2

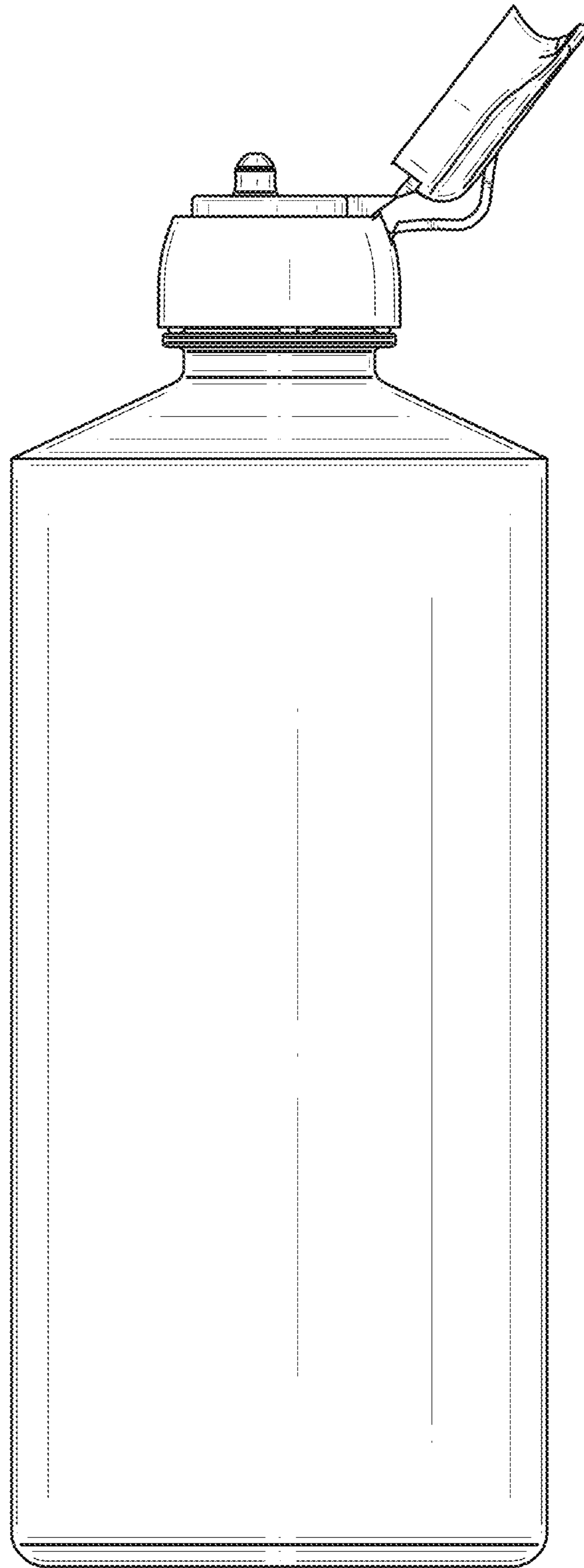


FIG. 3

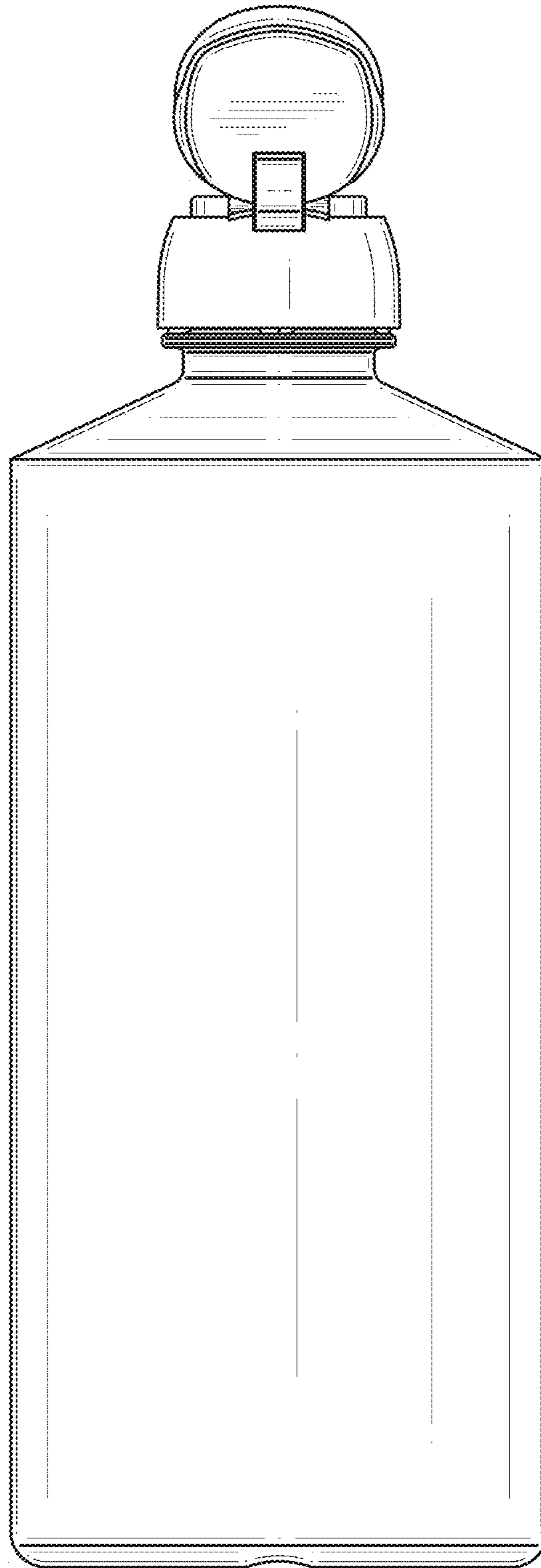


FIG. 4

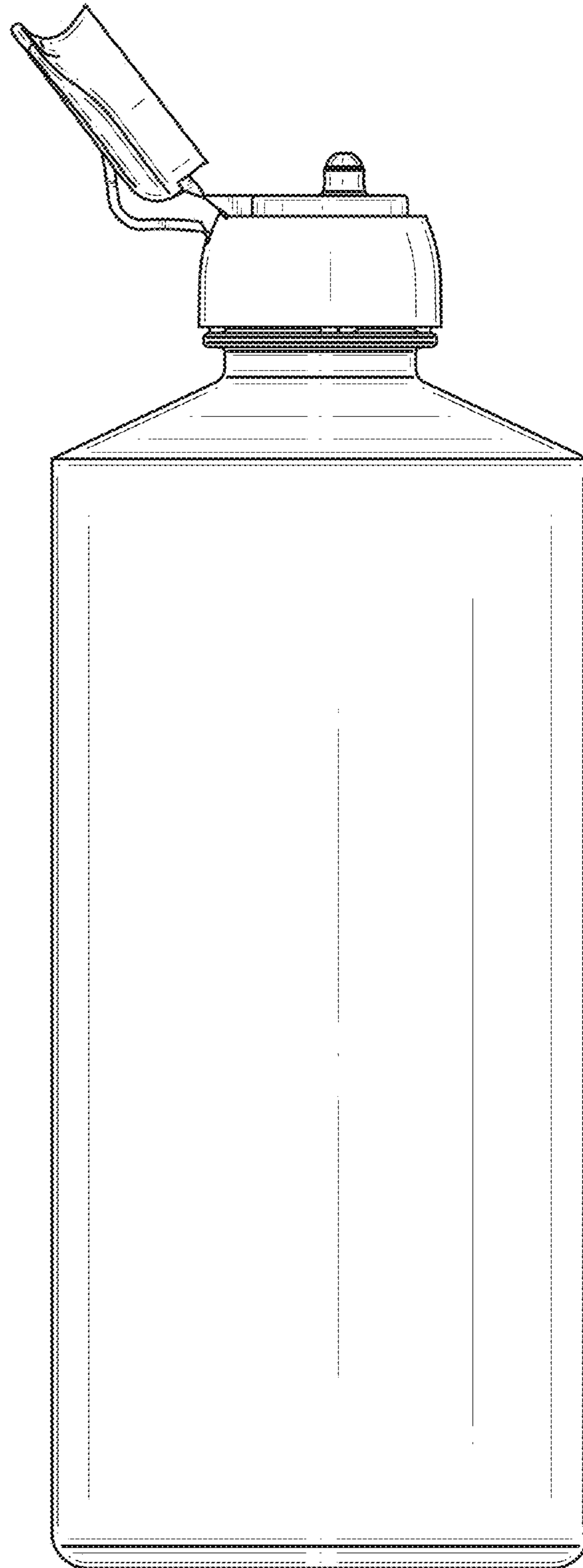


FIG. 5

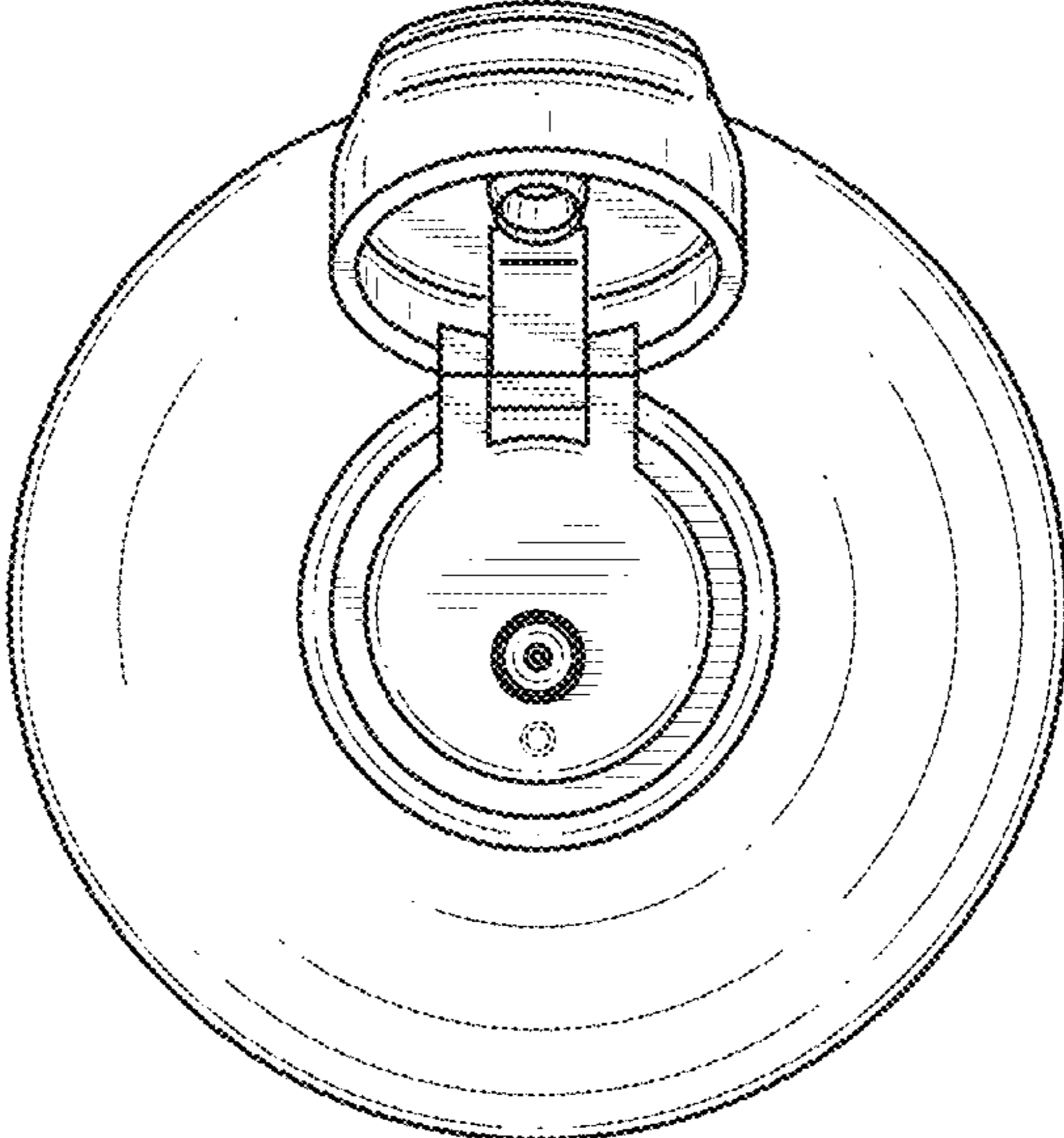


FIG. 6

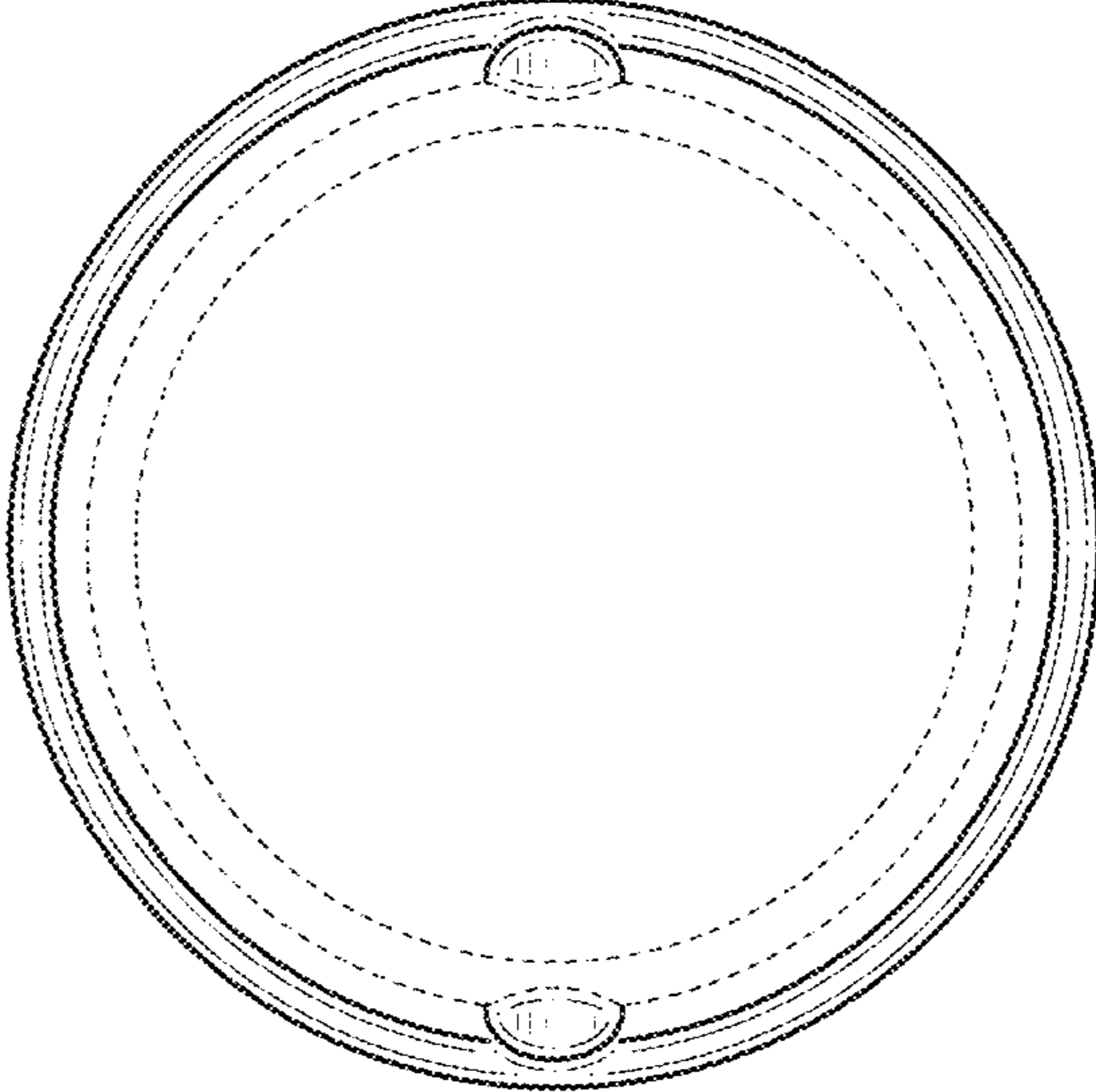


FIG. 7