



US00D947027S

(12) **United States Design Patent**
Marik

(10) **Patent No.:** **US D947,027 S**
(45) **Date of Patent:** **** Mar. 29, 2022**

- (54) **SPOUT FOR A CONTAINER**
- (71) Applicant: **B.R. Tenant, Inc.**, Des Plaines, IL (US)
- (72) Inventor: **Barbara Marik**, Des Plaines, IL (US)
- (**) Term: **15 Years**
- (21) Appl. No.: **29/723,855**
- (22) Filed: **Feb. 11, 2020**
- (51) **LOC (13) Cl.** **09-07**
- (52) **U.S. Cl.**
USPC **D9/449**
- (58) **Field of Classification Search**
USPC D7/387, 391, 392, 392.1, 396.1, 396.2,
D7/397, 398, 401.1, 415; D9/503, 504,
D9/505, 516, 529, 548, 549, 434, 435,
D9/436, 439, 440, 448, 453, 454, 726,
D9/695, 696, 707, 708, 712, 447, 723,
D9/724, 727; D19/115, 192, 194;
D23/213, 226, 249, 255; D24/111, 112,
D24/119, 127, 130, 141, 169, 193, 194,
D24/196, 197, 199, 222, 224; D27/194
CPC B65D 47/103; B65D 43/0222; B65D
2543/00046; B65D 2543/00092; B65D
25/48; A47G 19/2272; B65B 1/04; B65B
29/06; B05B 11/3059; B05B 11/0027;
B05B 11/0032; B05B 11/3004; B05B
11/3015; B05B 11/306; B05B 11/3064;
G03B 11/041; F16M 11/08; A61J 1/06;
A61J 1/065; A61J 1/2093; A61J 1/201
See application file for complete search history.

(56) **References Cited**

U.S. PATENT DOCUMENTS

- 1,763,316 A * 6/1930 Miller F16N 3/04
222/543
- D172,777 S * 8/1954 Bernabo D9/447
- D198,735 S * 7/1964 McWayne D24/112
- D204,352 S * 4/1966 Eizenberg D24/130
- D242,327 S * 11/1976 Schneider D9/447
- D254,445 S * 3/1980 Boghosian D24/224

- D299,865 S * 2/1989 Kamstrup-Larsen D24/130
- D302,296 S * 7/1989 Harmony D24/130
- D326,322 S * 5/1992 Clegg D24/112
- D338,159 S * 8/1993 Densky D9/453
- D358,464 S * 5/1995 Anderson D24/112
- D383,065 S * 9/1997 Eastling D9/447
- D452,311 S * 12/2001 Guala D24/112
- D532,295 S * 11/2006 Stull D9/435
- D584,150 S * 1/2009 Gibson D9/445

(Continued)

OTHER PUBLICATIONS

Spill-No-More Spout: Announced Oct. 12, 2019 [Online]. Site Visited [Mar. 23, 2021. Available from Internet URL: https://www.amazon.com/SPILL-NO-MORE-Spout-Original/dp/B07Z2DGGJB/ref=sr_1_1?dchild=1&keywords=SPILL-NO-MORE&qid=1616511359&sr%2E%80%A6.*

(Continued)

Primary Examiner — Catherine S Posthauer

(57) **CLAIM**

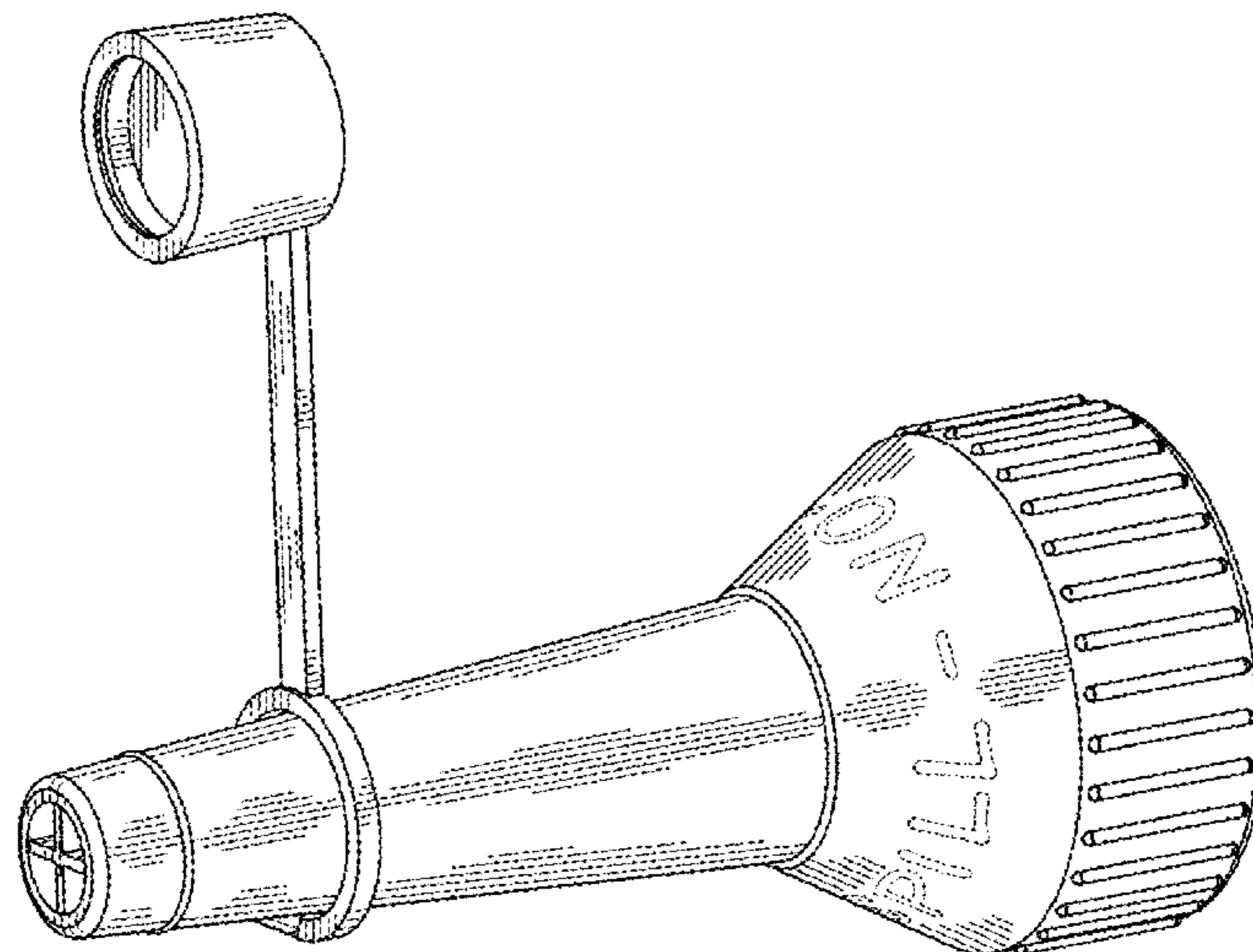
The ornamental design for the spout for a container, as shown and described.

DESCRIPTION

FIG. 1 is a perspective view of a spout for a container showing my new design;
 FIG. 2 is top view thereof;
 FIG. 3 is a side view thereof;
 FIG. 4 is another side view thereof;
 FIG. 5 is another side view thereof;
 FIG. 6 is another side view thereof;
 FIG. 7 is a bottom view thereof; and,
 FIG. 8 is another perspective view thereof.

In the drawings, the broken lines are shown for the purpose of illustrating parts of the article that form no part of the claim. The SPILL-NO-MORE® logo shown in the drawings, and forming no part of the claim, is a registered trademark of B.R. Tenant, Inc.

1 Claim, 4 Drawing Sheets



(56)

References Cited

U.S. PATENT DOCUMENTS

D586,912 S * 2/2009 Py D24/112
D633,384 S * 3/2011 Tanaka D9/447
D663,042 S * 7/2012 Motadel D24/222
D679,828 S * 4/2013 Motadel D24/222
D687,563 S * 8/2013 Tamura D24/222
D691,040 S * 10/2013 Wade D9/440
D741,003 S * 10/2015 Von Schoultz D27/194
D748,476 S * 2/2016 Lakstins D9/447
D777,317 S * 1/2017 Soual D24/112
D790,341 S * 6/2017 Ross D9/447
D801,830 S * 11/2017 Zhang D9/724
D887,269 S * 6/2020 Marik D9/453
D899,250 S * 10/2020 Yang D9/440

OTHER PUBLICATIONS

Spill-No-More Solvent Can Spout with Cap: Site Visited [Mar. 23, 2021]. Available from Internet URL: https://www.ebay.com/itm/Vintage-Eagle-Thumb-Oiler-Handy-Oil-Tin-Metal-Patent-Pending-1920s-Antique/324526545927?_trkparms=aid%3D1110018%26algo%3DHOMESPLICE.COMPLISTINGS%26ao%3D1%26asc%3D20201210111452%26meid%3D16bfa842c5754ea88d50119f262f953f%26pid%3D101196%26rk%3D2%26rkt%3D12%26mehot%3Dpf%26sd%3D303145093232%26i.*

* cited by examiner

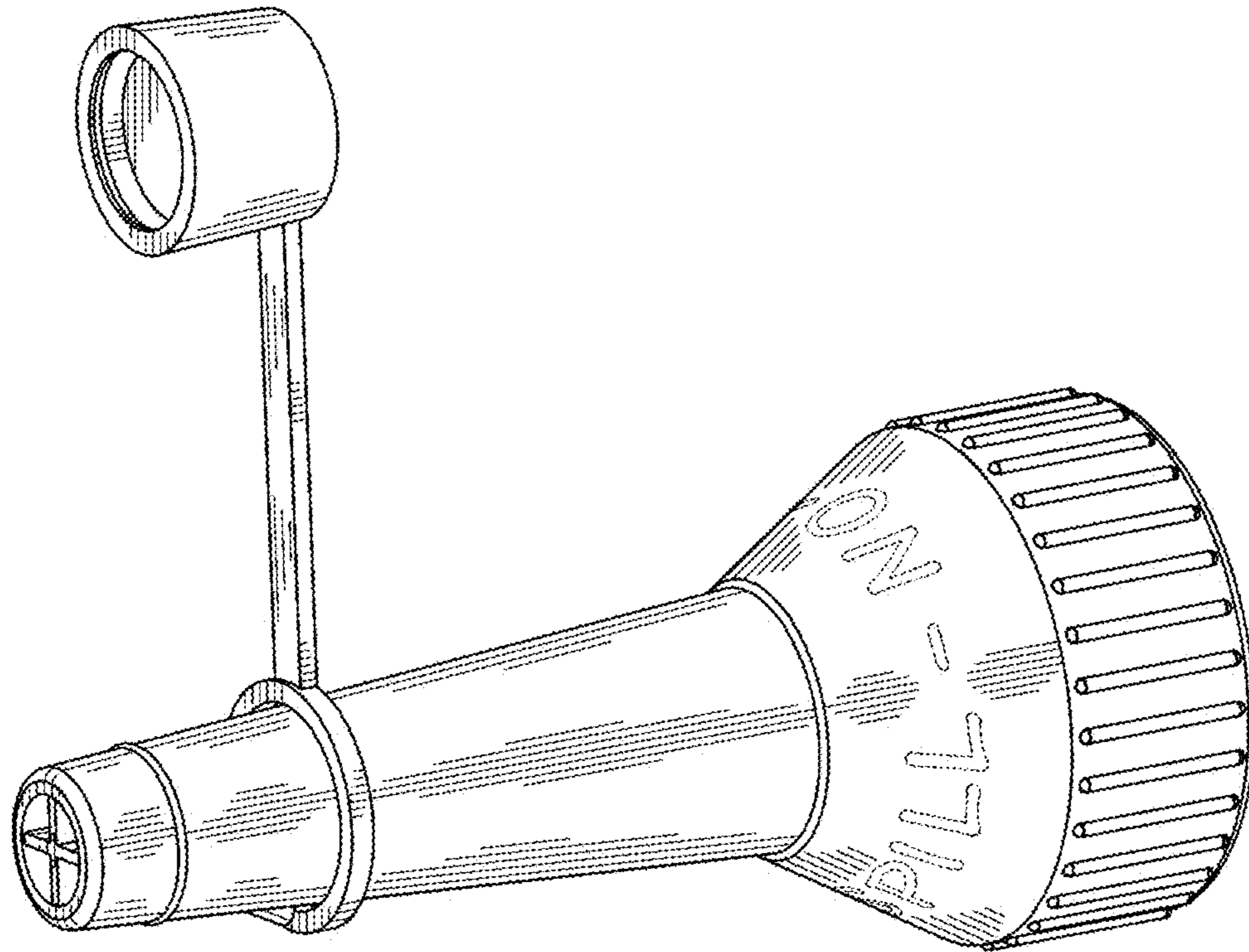


FIG. 1

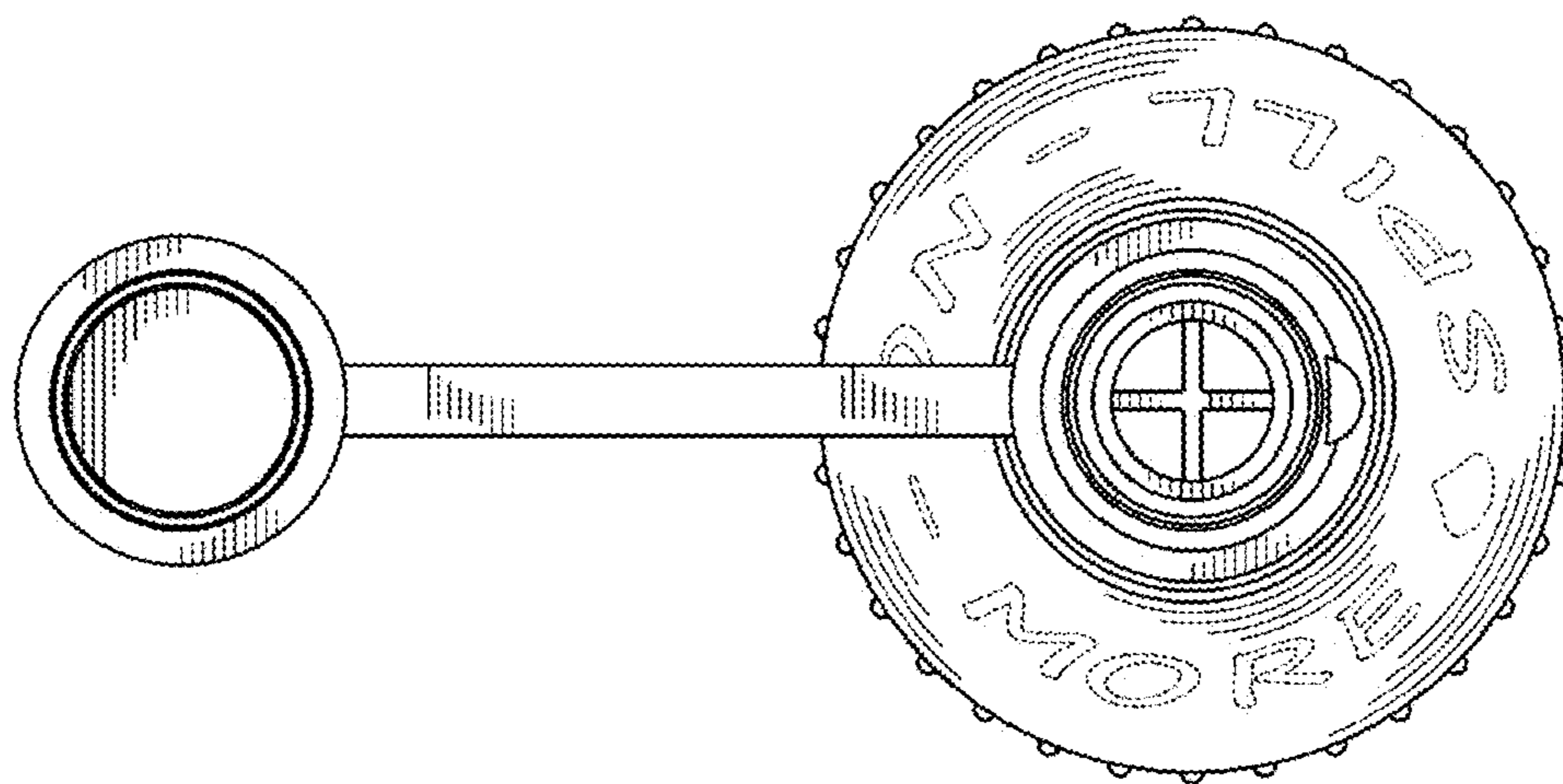


FIG. 2

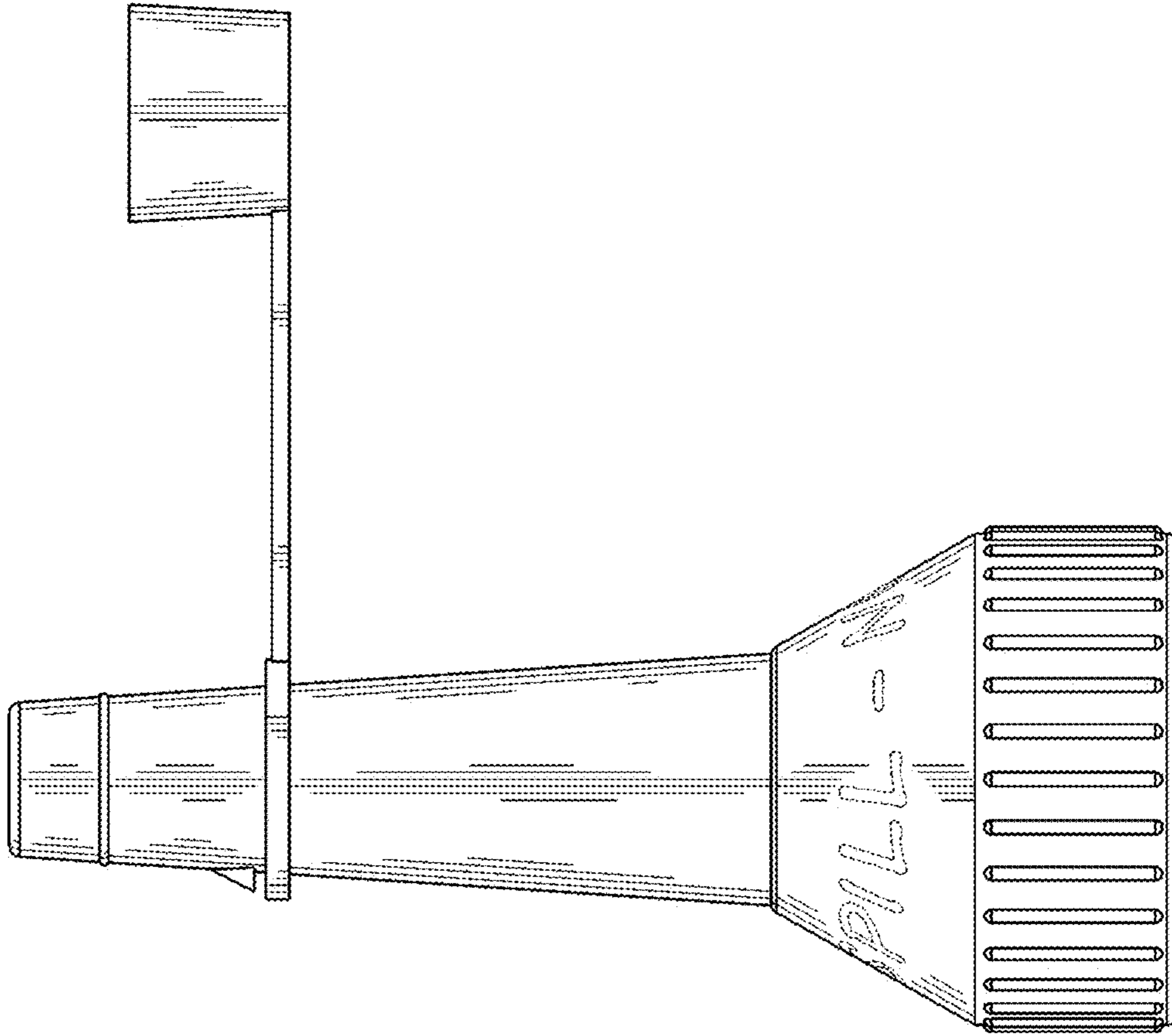


FIG. 3

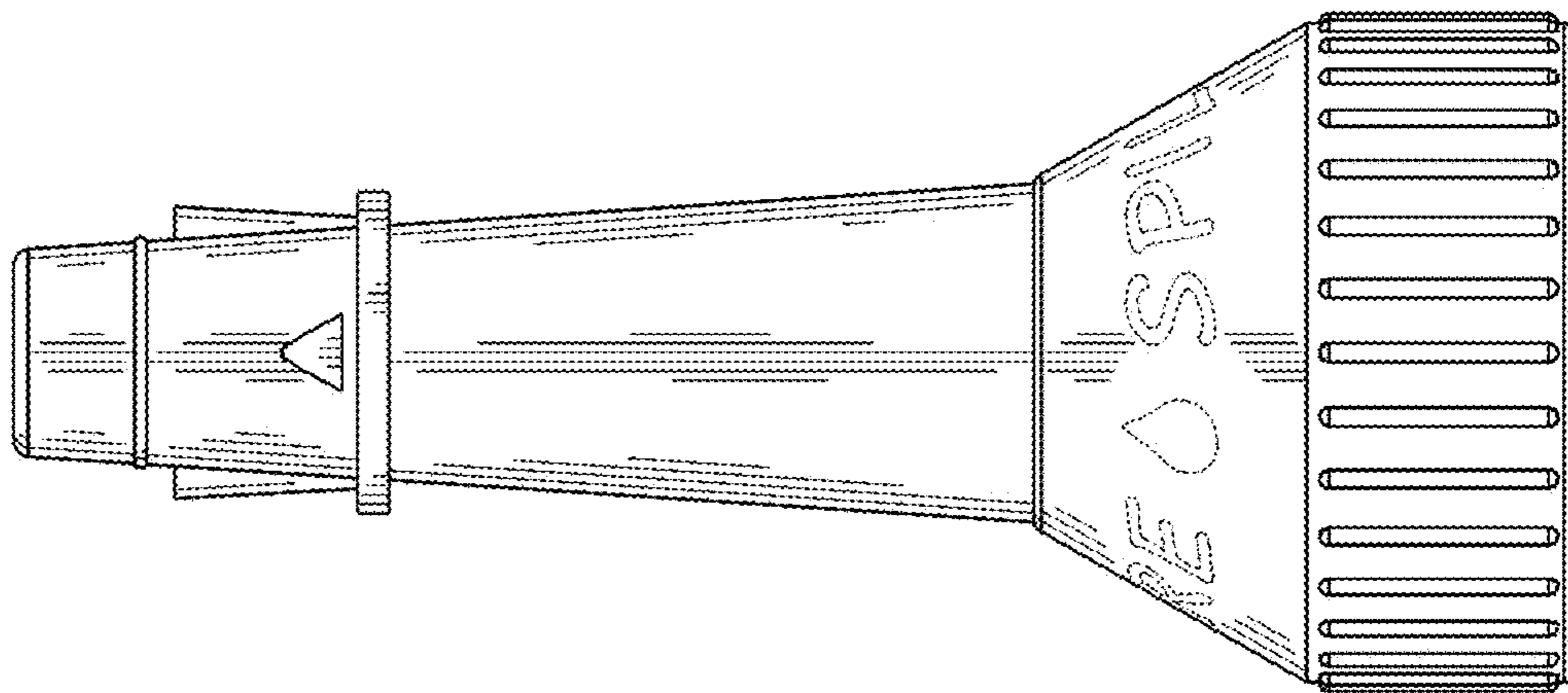


FIG. 4

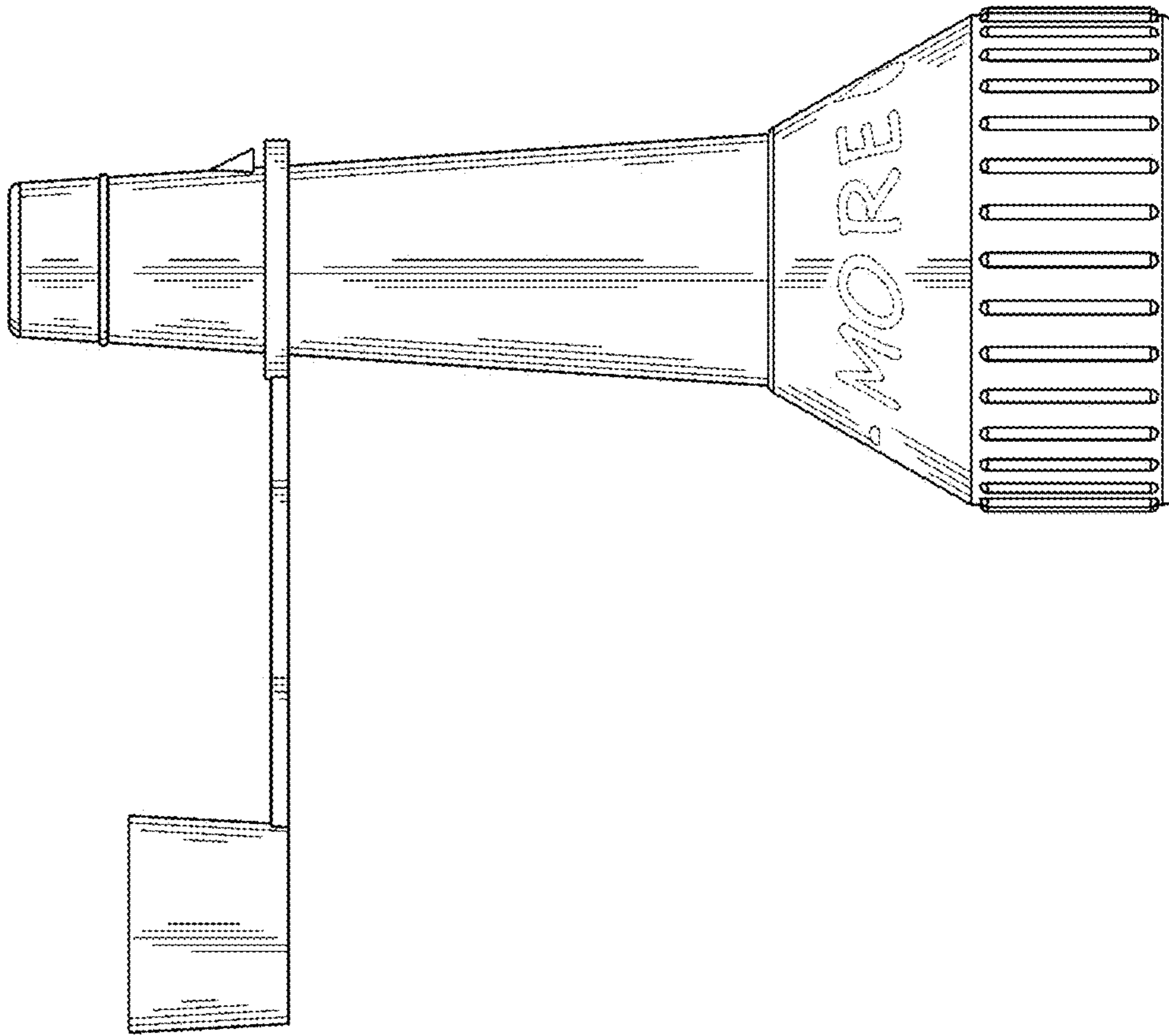


FIG. 5

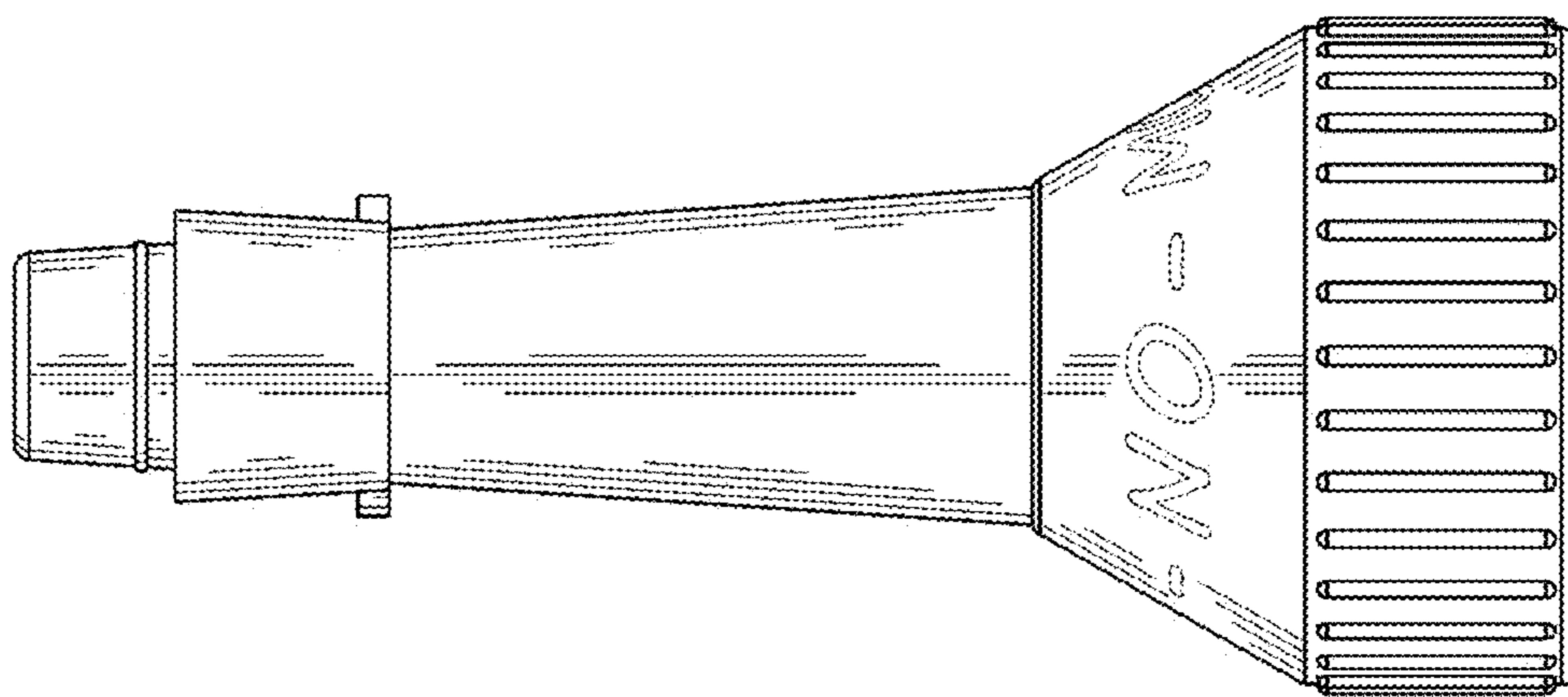


FIG. 6

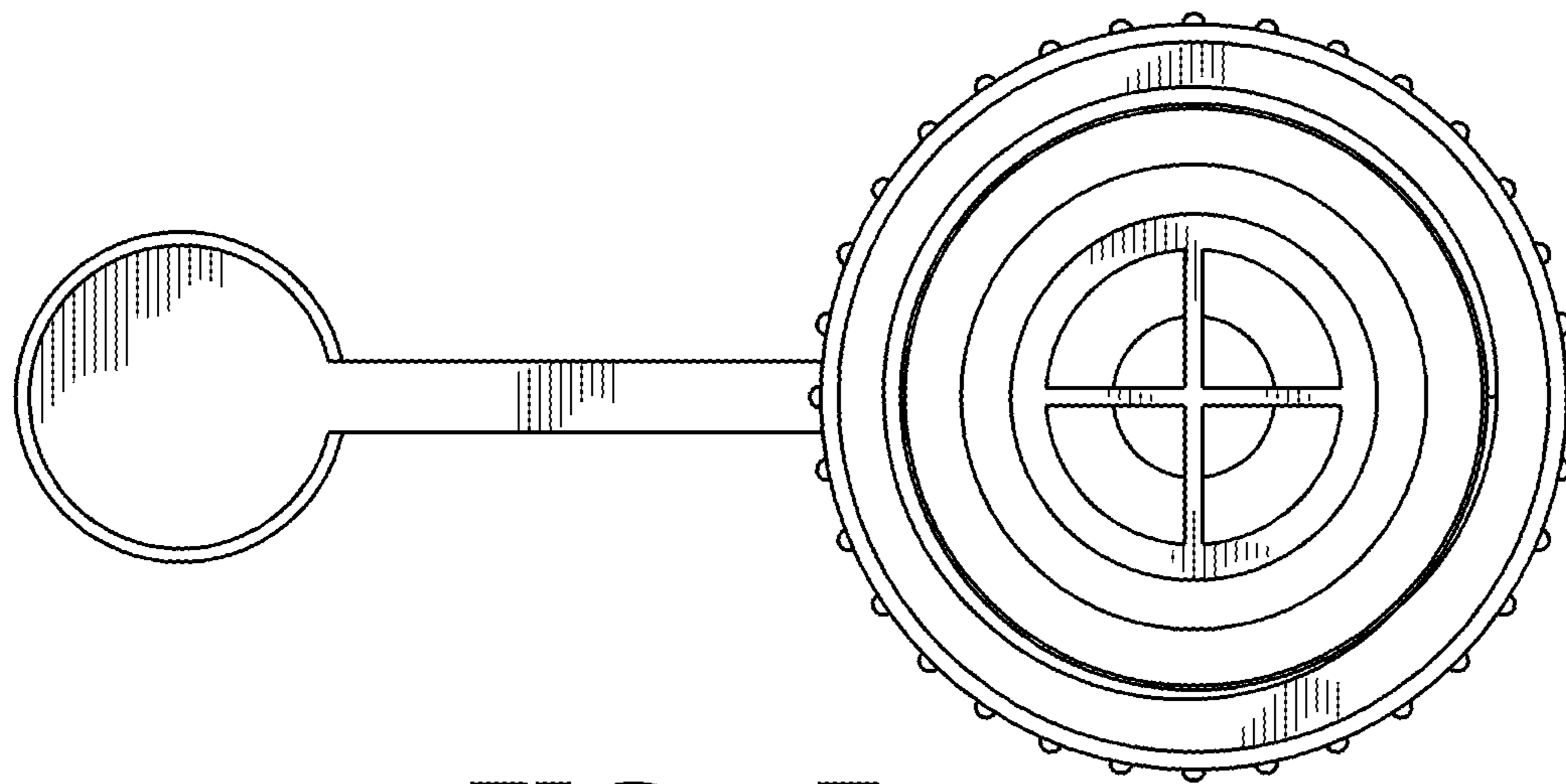


FIG. 7

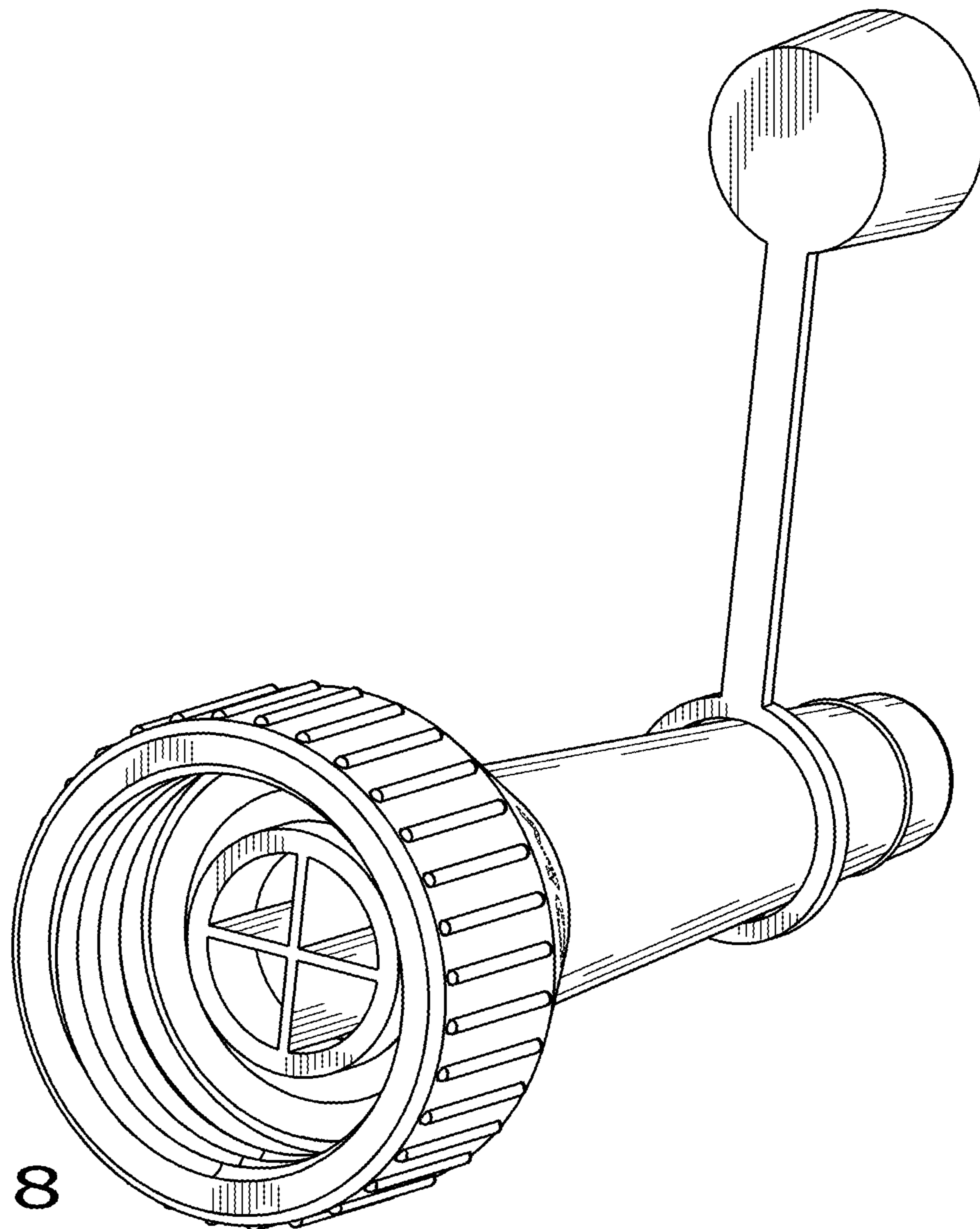


FIG. 8