



US00D947025S

(12) **United States Design Patent**
Diaz et al.

(10) **Patent No.:** **US D947,025 S**
(45) **Date of Patent:** **** Mar. 29, 2022**

(54) **PLUG SEAL**

D229,824 S * 1/1974 Erickson D9/434
D230,013 S * 1/1974 Emerson D9/434
D297,799 S * 9/1988 Hammer D7/507

(71) Applicant: **INTEGRATED LINER TECHNOLOGIES, INC.**, Rensselaer, NY (US)

(Continued)

(72) Inventors: **Lenny Diaz**, Clifton Park, NY (US);
Paul M. Petrosino, Schoharie, NY (US)

OTHER PUBLICATIONS

Integratd Liner Technology Plug Seals: Announced Mar. 30, 2017 [online]. Site visited [Oct. 27, 2021]. Available from Internet<https://web.archive.org/web/20170330193918/http://www.iltusa.com/custom.php>.*

(73) Assignee: **INTEGRATED LINER TECHNOLOGIES, INC.**, Rensselaer, NY (US)

Primary Examiner — Catherine S Posthauer
(74) *Attorney, Agent, or Firm* — Heslin Rothenberg Farley & Mesiti P.C.; Kristian E. Ziegler, Esq.

(**) Term: **15 Years**

(57) **CLAIM**

(21) Appl. No.: **29/652,758**

The ornamental design for a plug seal, as shown and described.

(22) Filed: **Nov. 13, 2020**

(51) **LOC (13) Cl.** **09-07**

(52) **U.S. Cl.**

USPC **D9/439**

(58) **Field of Classification Search**

USPC D3/12, 16, 17; D7/393, 394, 396, 397, D7/398, 387, 391, 392.1, 396.1, 396.2, D7/401.1, 402, 507, 511, 538, 388; D9/434, 435, 436, 438, 439, 440, 445, D9/446, 447, 454; D23/209, 233, 238, D23/259, 260, 261; D26/22, 23; D34/7, D34/10, 11

CPC ... B01L 3/50825; B01L 9/00; B65D 81/2038; B65D 81/20; A61J 1/1418; A61J 1/14; A61J 1/1406; A61J 1/1412; A61M 1/0001; A61M 1/0003; A61M 1/0011; B65B 31/00; B65B 55/10; B67C 11/02

See application file for complete search history.

DESCRIPTION

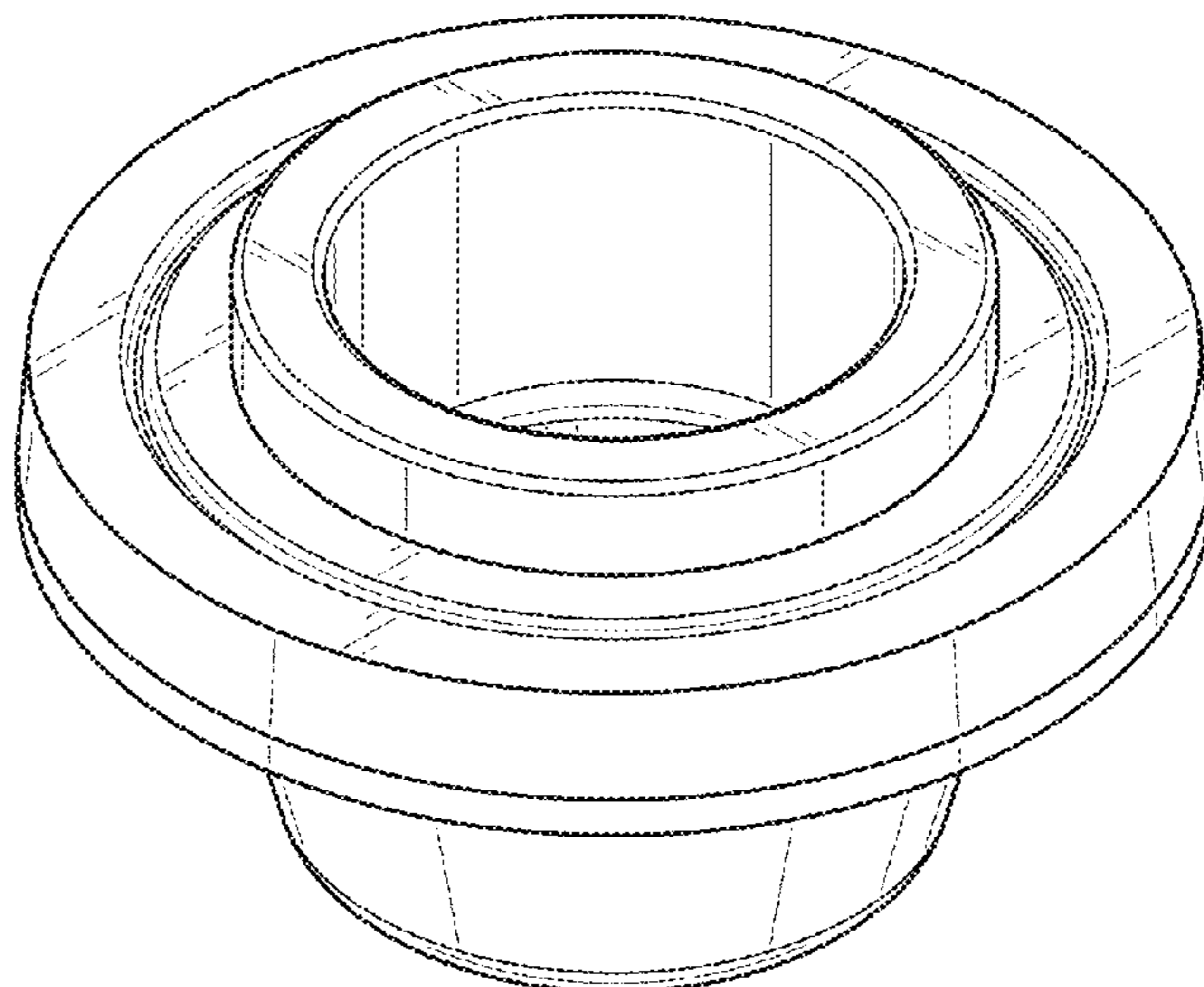
FIG. 1 is a top side perspective view of a plug seal, showing our new design;
FIG. 2 is a top view thereof;
FIG. 3 is a bottom view thereof;
FIG. 4 is a front side view thereof;
FIG. 5 is a back side view thereof;
FIG. 6 is a left side view thereof;
FIG. 7 is a right side view thereof; and
FIG. 8 is a side cross-sectional view thereof.
FIG. 9 is an elevational perspective view of a cap with plug seal, showing our new design;
FIG. 10 is a elevational exploded perspective view thereof;
FIG. 11 is a top perspective view thereof;
FIG. 12 is a bottom view thereof;
FIG. 13 is a front side view thereof;
FIG. 14 is a back side view thereof;
FIG. 15 is a left side view thereof;
FIG. 16 is a right side view thereof; and,
FIG. 17 is a top perspective view thereof in a position of use with an exemplary vial.

(56) **References Cited**

U.S. PATENT DOCUMENTS

D34,955 S * 8/1901 Thatcher D9/439
D120,464 S * 5/1940 Martin D9/434
D126,200 S * 4/1941 Eisenberg D9/434

1 Claim, 6 Drawing Sheets



(56)

References Cited

U.S. PATENT DOCUMENTS

5,232,109	A *	8/1993	Tirrell	B65D 51/002 215/247
D349,648	S *	8/1994	Tirrell	D9/439
D359,683	S *	6/1995	Beach	D9/434
D370,629	S *	6/1996	Lynch	D9/439
D395,195	S *	6/1998	Heiberg	D7/387
D402,354	S *	12/1998	Strong	D23/259
D551,550	S *	9/2007	Noonan	D9/454
D604,614	S *	11/2009	Janboecke	D9/454
D636,055	S *	4/2011	Goldman	D23/209
D657,848	S *	4/2012	Howson	D23/261
D682,690	S *	5/2013	Bowes	D9/439
D715,146	S *	10/2014	Holmes	D9/447
D751,394	S *	3/2016	Chartier	D9/440
D753,489	S *	4/2016	Shaw	D9/454
D754,542	S *	4/2016	Shaw	D9/454
D762,825	S *	8/2016	Walker	D23/259
D788,886	S *	6/2017	Salzer	D23/259
D799,895	S *	10/2017	Westrick	D7/398
D804,311	S *	12/2017	Ruprecht	D9/434
D823,115	S *	7/2018	Walker	D9/447
D840,820	S *	2/2019	Hwang	D9/456
D857,179	S *	8/2019	Thompson	D23/259
D907,438	S *	1/2021	Sakamoto	D7/507
2012/0024085	A1 *	2/2012	Faulkner	B01L 3/50825 73/864.91

* cited by examiner

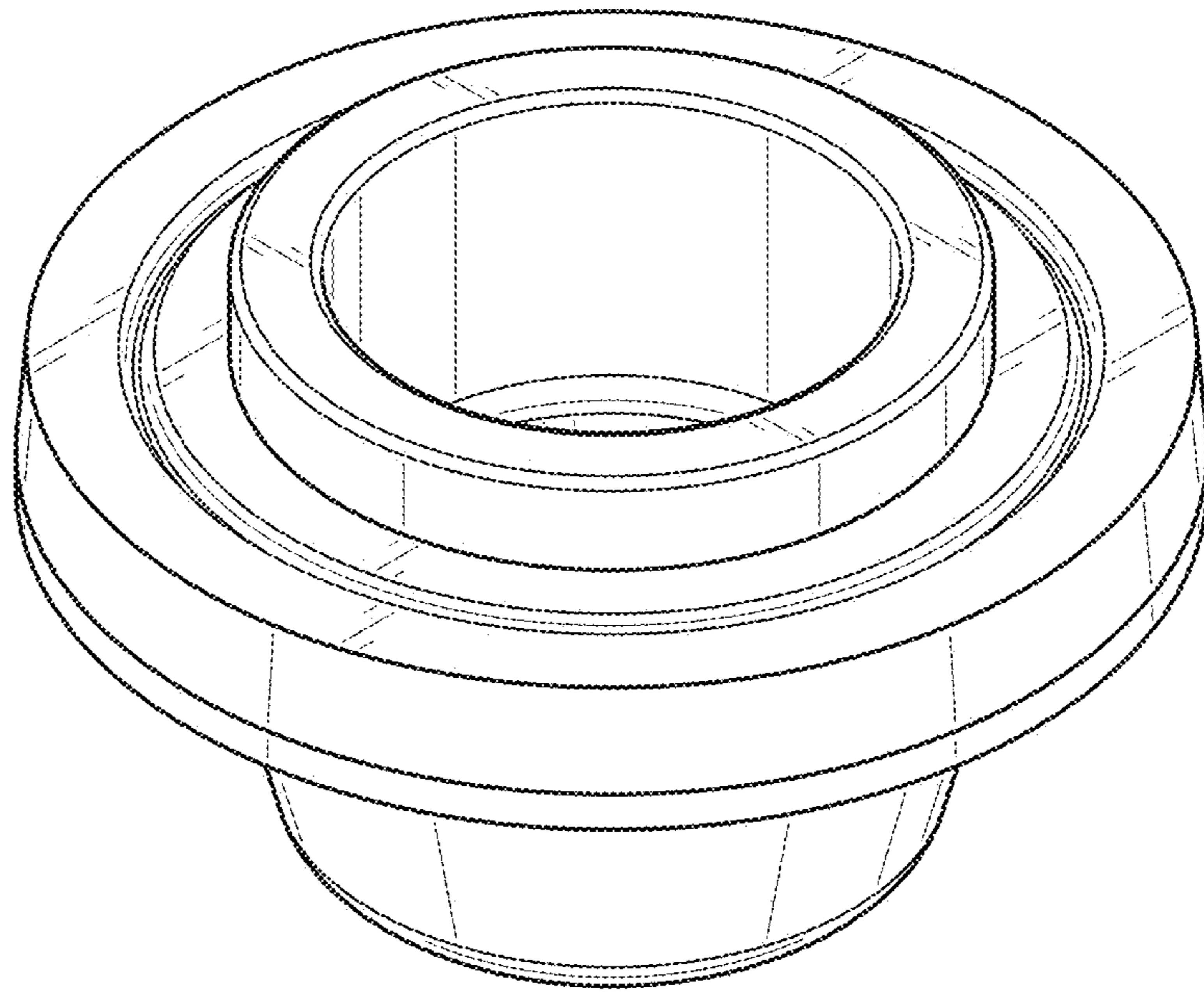


FIG. 1

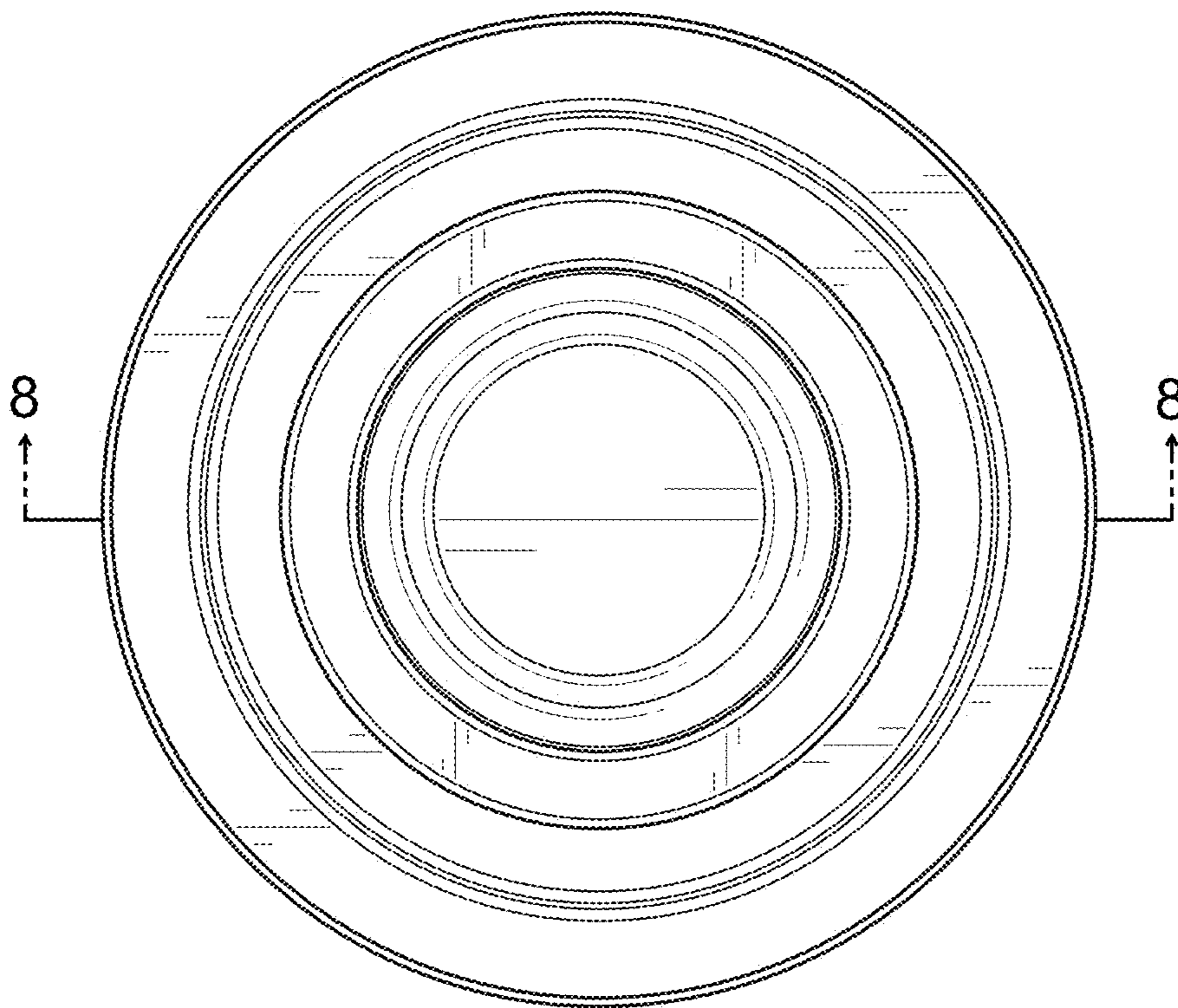


FIG. 2

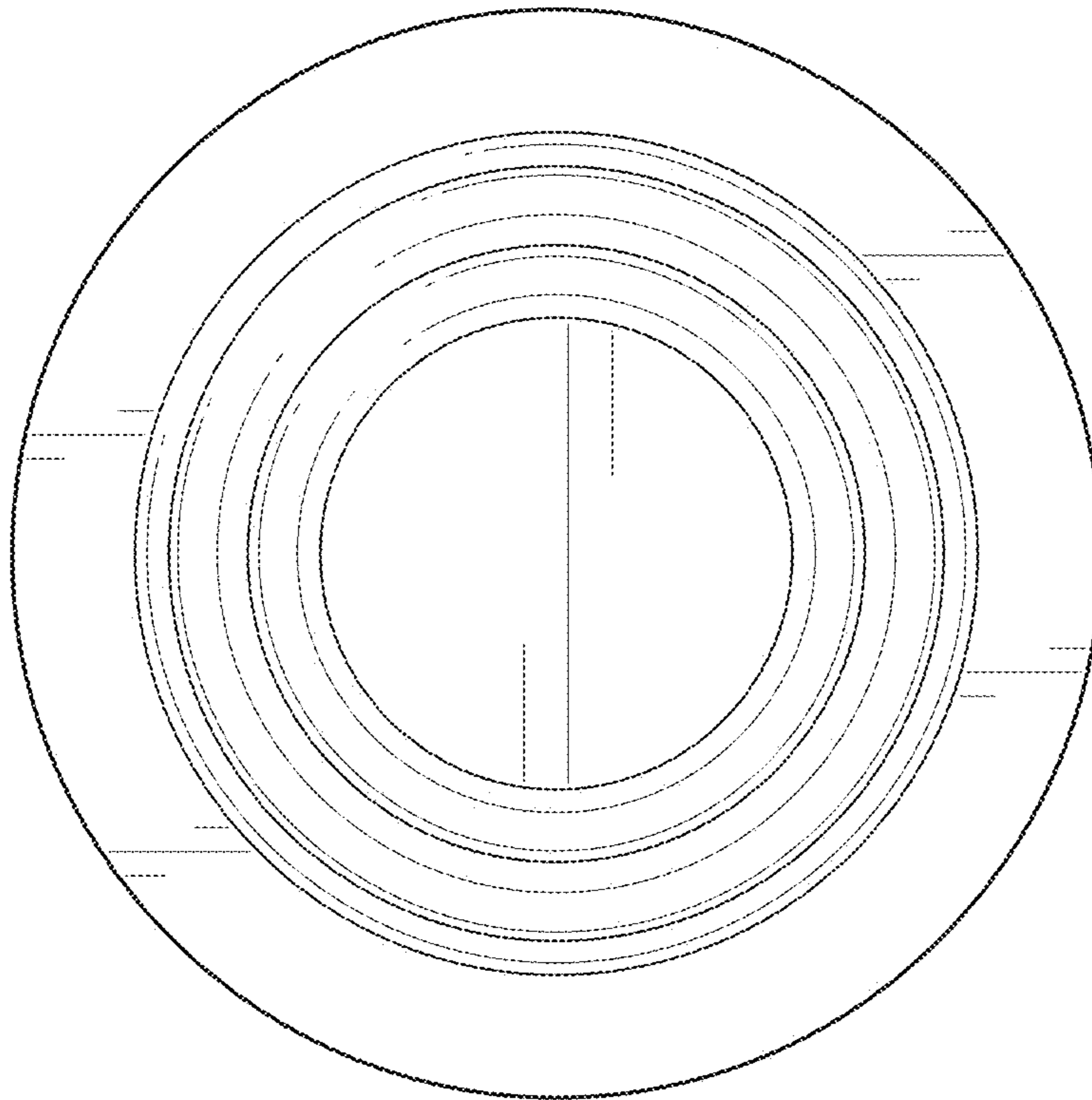


FIG. 3

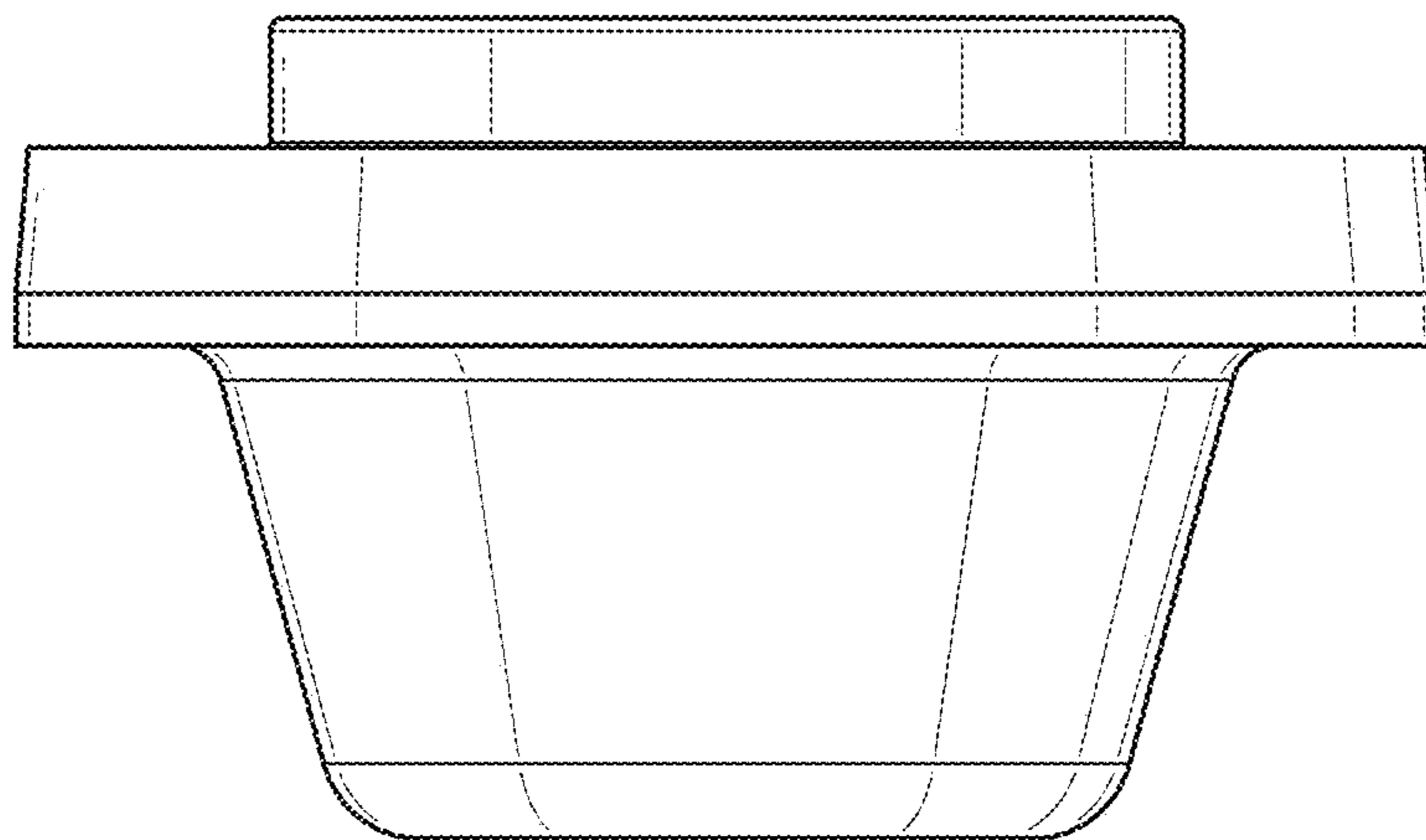


FIG. 4

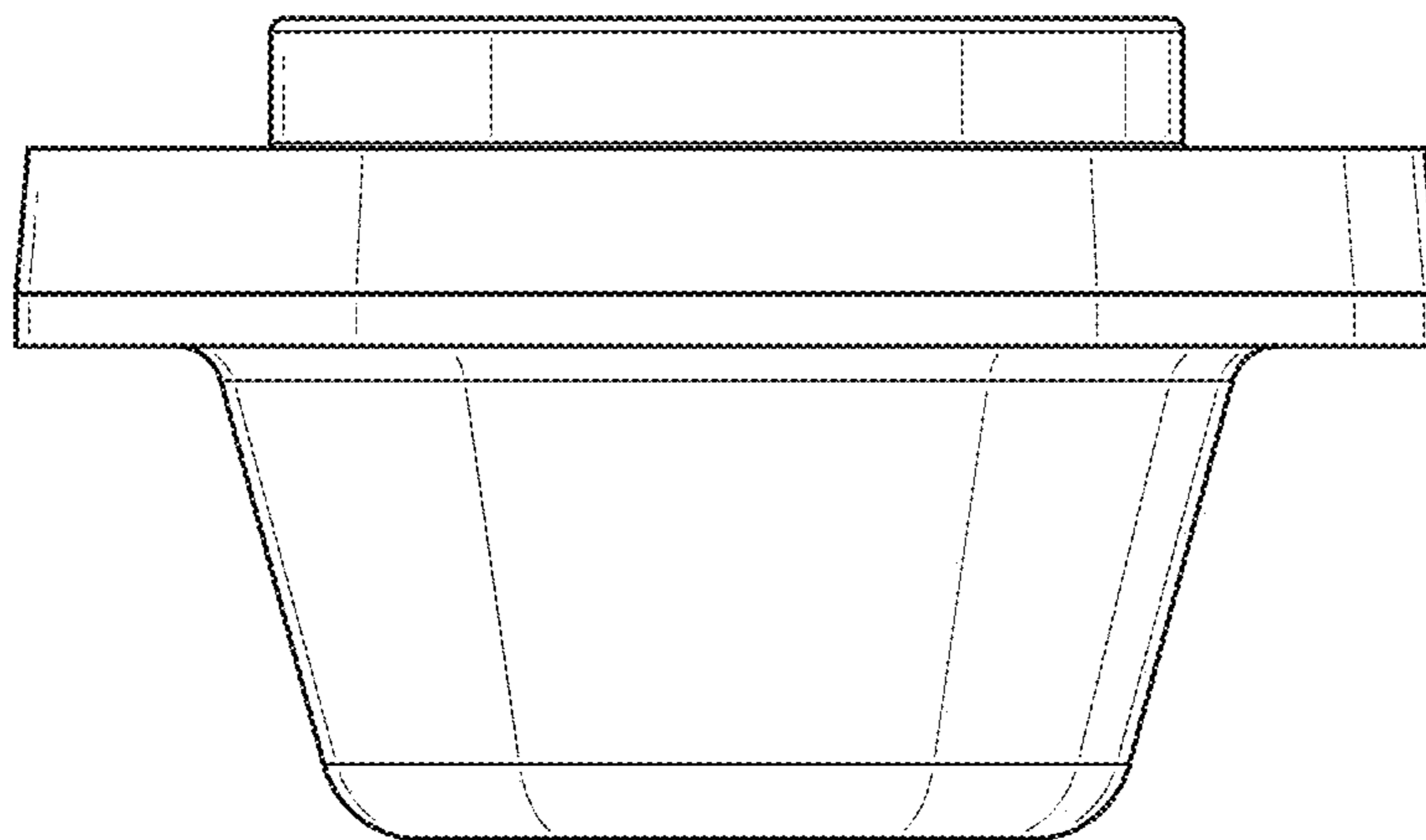


FIG. 5

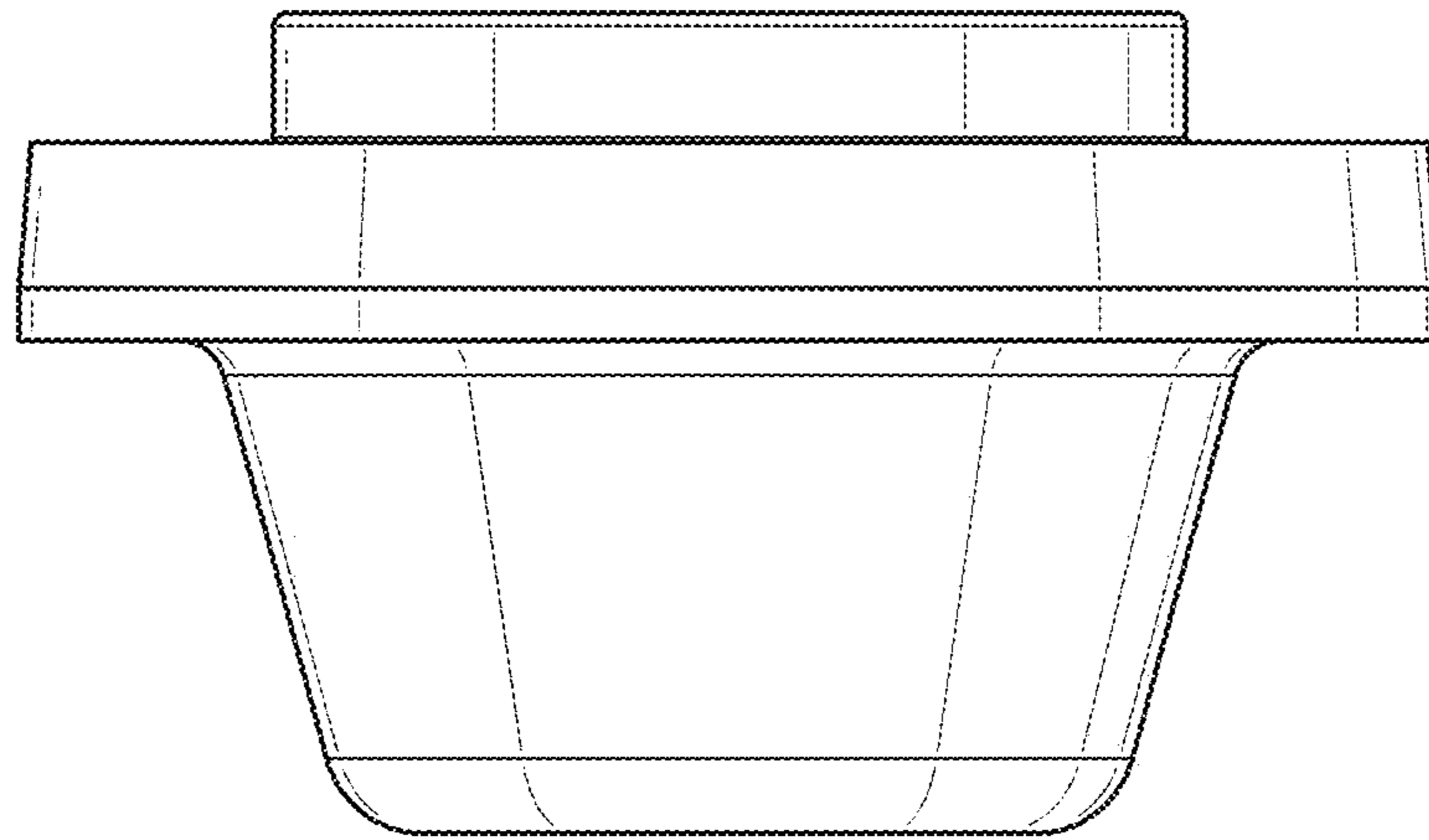


FIG. 6

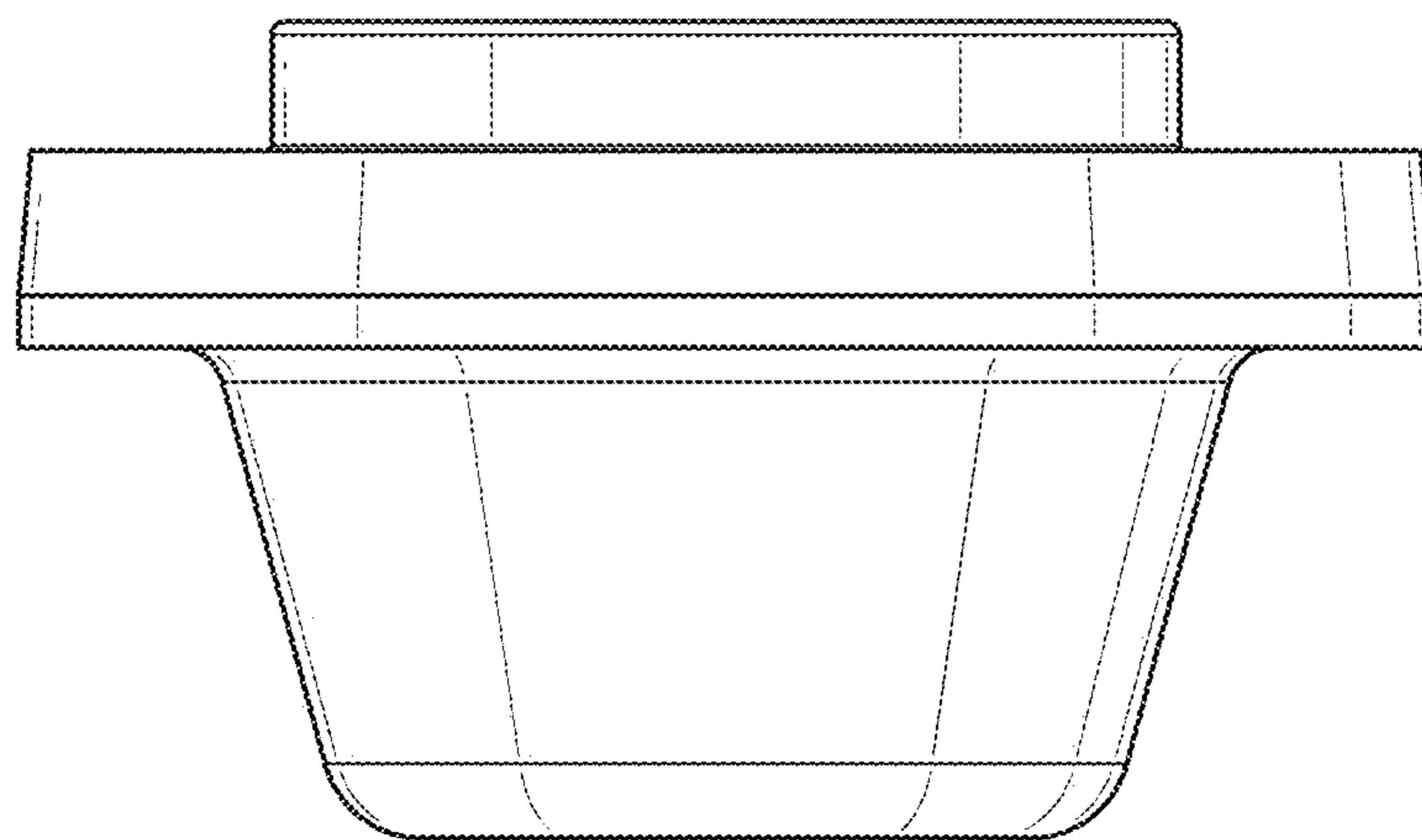


FIG. 7

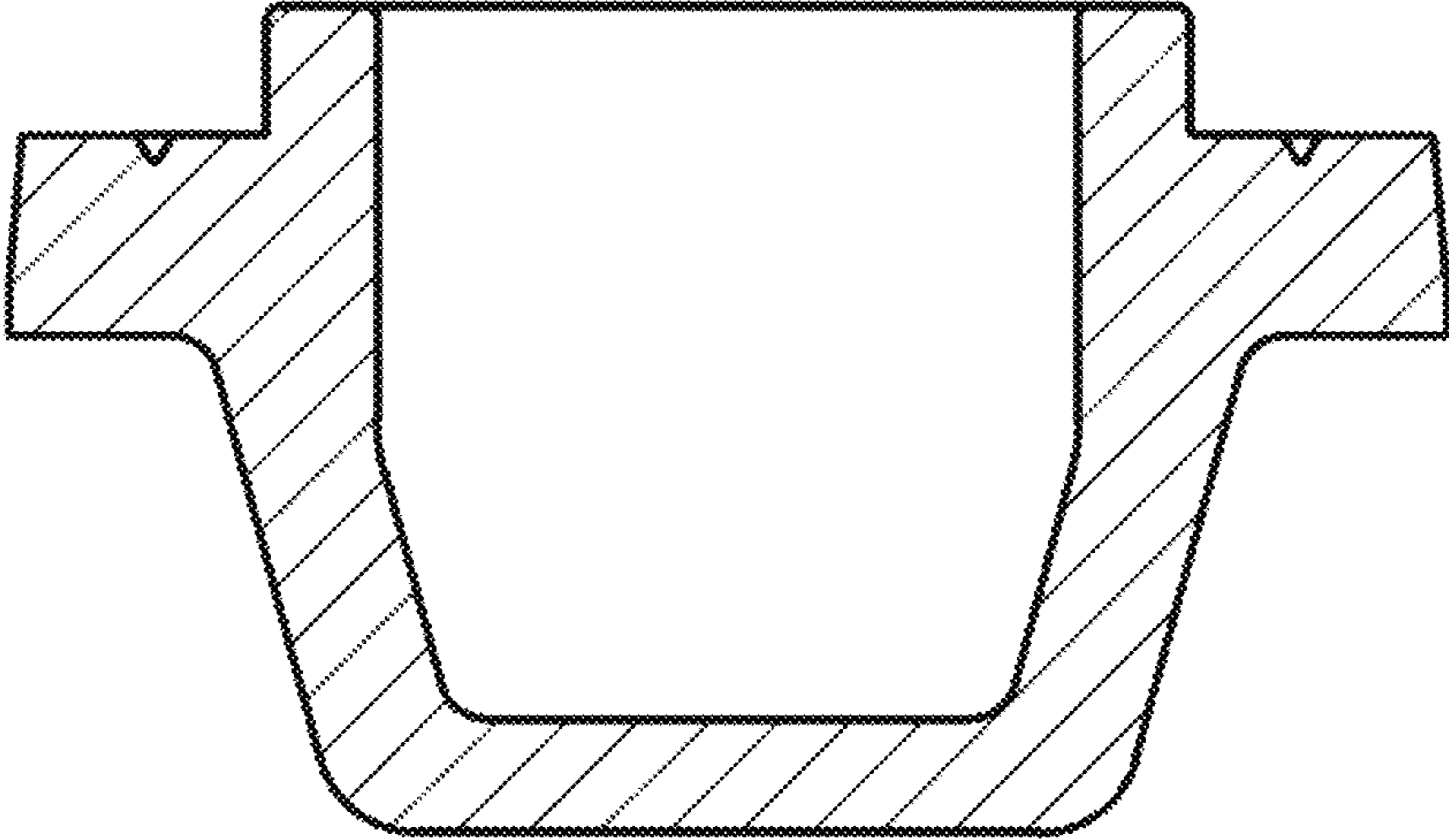


FIG. 8

UNITED STATES PATENT AND TRADEMARK OFFICE
CERTIFICATE OF CORRECTION

PATENT NO. : D947,025 S
APPLICATION NO. : 29/652758
DATED : March 29, 2022
INVENTOR(S) : Diaz et al.

Page 1 of 1

It is certified that error appears in the above-identified patent and that said Letters Patent is hereby corrected as shown below:

On the Title Page

In the Description:

Delete "FIG. 9 is an elevational perspective view of a cap with plug seal, showing our new design;
FIG. 10 is a elevational exploded perspective view thereof;
FIG. 11 is a top perspective view thereof;
FIG. 12 is a bottom view thereof;
FIG. 13 is a front side view thereof;
FIG. 14 is a back side view thereof;
FIG. 15 is a left side view thereof;
FIG. 16 is a right side view thereof; and
FIG. 17 is a top perspective view thereof in a position of use with an exemplary vial"

Signed and Sealed this
Twentieth Day of September, 2022
Katherine Kelly Vidal

Katherine Kelly Vidal
Director of the United States Patent and Trademark Office