



US00D947019S

(12) **United States Design Patent**  
**Safdie et al.**

(10) **Patent No.:** **US D947,019 S**  
(45) **Date of Patent:** **\*\* Mar. 29, 2022**

(54) **PACKAGE FOR SQUEEZE TUBES**

(71) Applicant: **Best Accessory Group LLC**, New York, NY (US)

(72) Inventors: **Abraham Safdie**, Brooklyn, NY (US);  
**Jack Saban**, Brooklyn, NY (US)

(73) Assignee: **Best Accessory Group LLC**, New York, NY (US)

(\*\*) Term: **15 Years**

(21) Appl. No.: **29/727,204**

(22) Filed: **Mar. 9, 2020**

(51) **LOC (13) Cl.** ..... **09-03**

(52) **U.S. Cl.**

USPC ..... **D9/418**; D9/431

(58) **Field of Classification Search**

USPC ..... D9/414–416, 418, 419, 430–433, 438,  
D9/500, 501, 503–505, 702, 703, 705,  
D9/707, 711, 420, 751, 757, 424, 426,  
D9/455–457, 499, 635, 712, 713, 737,  
D9/748–750, 753, 755, 756, 758–760;  
D19/1, 2, 3, 9, 86; D3/201, 229,  
D3/272–274, 300; D7/603, 605, 612,  
D7/703, 708, 553.5; D28/4, 76–80, 85

CPC .... B65D 5/2042; H01Q 21/005; B01F 9/0021  
See application file for complete search history.

(56) **References Cited**

**U.S. PATENT DOCUMENTS**

D91,023 S \* 11/1933 Ellsworth ..... D9/431  
D91,630 S \* 2/1934 Klein et al. .... D9/499  
3,115,247 A \* 12/1963 Hauser ..... B65D 5/5023  
206/528  
D328,026 S \* 7/1992 Stenstrom ..... D9/415  
D342,024 S \* 12/1993 Kaufman ..... D9/713  
D441,645 S \* 5/2001 Longhurst ..... D9/415  
D504,315 S \* 4/2005 Lee ..... D9/635

D529,815 S \* 10/2006 Frasier ..... D9/636  
D533,311 S \* 12/2006 Ditrichstein ..... D28/76  
D564,872 S \* 3/2008 Kamins ..... D9/418  
D575,635 S \* 8/2008 Rozenzweig ..... D9/418  
D614,026 S \* 4/2010 Lince ..... D9/434  
D653,534 S \* 2/2012 Shinn ..... D9/415  
D690,197 S \* 9/2013 Kessler, Jr. .... D9/431  
D730,742 S \* 6/2015 Glass ..... D9/635  
D744,822 S \* 12/2015 Piscopo ..... B65D 81/03  
D9/414

(Continued)

**OTHER PUBLICATIONS**

Crownwin Luxury Foldable Triangle Box Packaging With Ribbon.  
Publication date unavailable. Visited Oct. 13, 2021. [https://www.alibaba.com/product-detail/Crownwin-Luxury-Foldable-Triangle-Box-Packaging\\_60734417528.html](https://www.alibaba.com/product-detail/Crownwin-Luxury-Foldable-Triangle-Box-Packaging_60734417528.html) (Year: 0).\*

(Continued)

*Primary Examiner* — Darcey E Gottschalk  
*Assistant Examiner* — Vanessa M. Pursley  
(74) *Attorney, Agent, or Firm* — Dorton & Willis, LLP

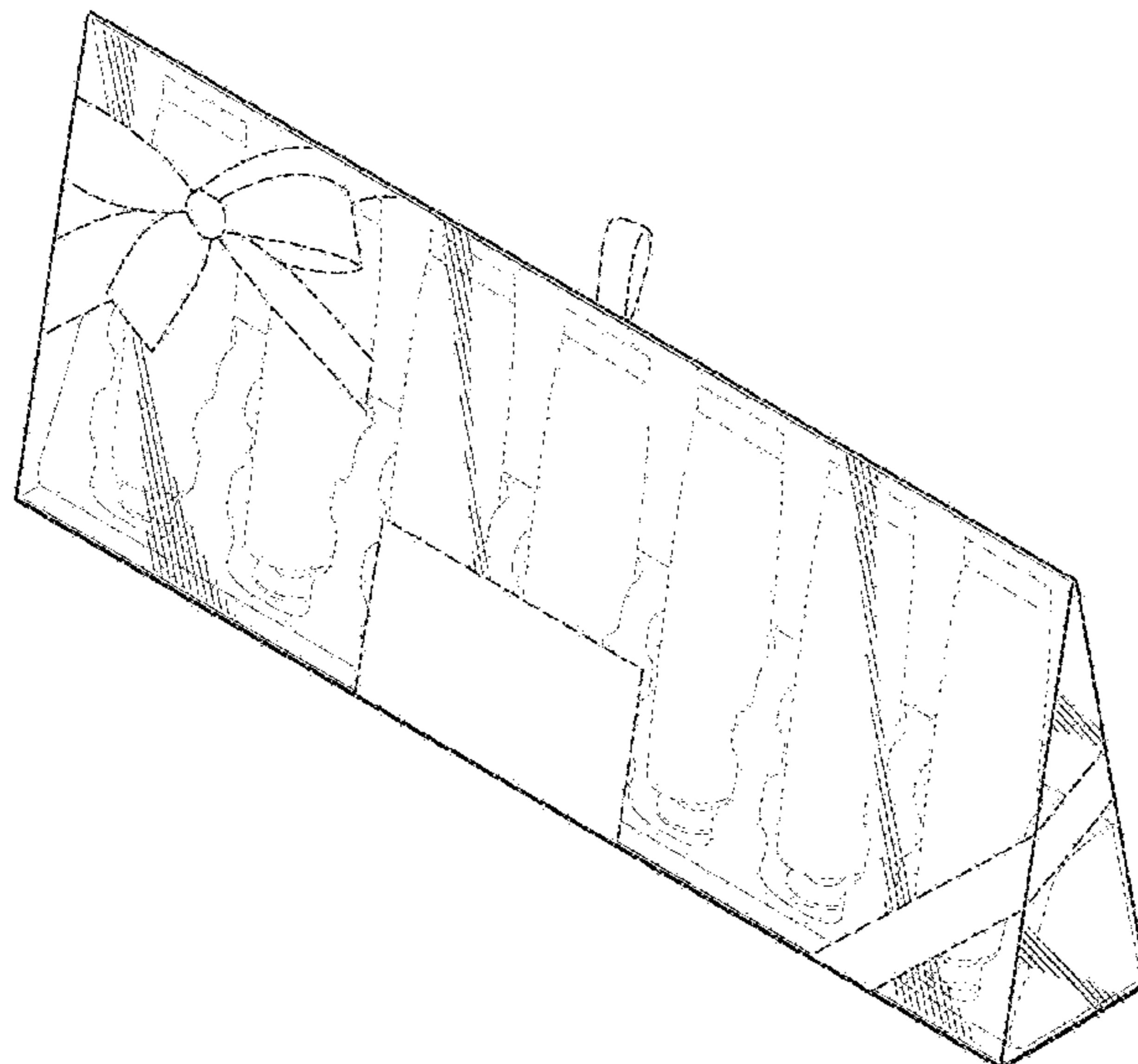
(57) **CLAIM**

The ornamental design for a package for squeeze tubes, as shown and described.

**DESCRIPTION**

FIG. 1 is a front perspective view of our new package for squeeze tubes design;  
FIG. 2 is a front elevation view thereof;  
FIG. 3 is a rear elevation view thereof;  
FIG. 4 is a right-side elevation view thereof;  
FIG. 5 is a left-side elevation view thereof;  
FIG. 6 is a top plan view thereof;  
FIG. 7 is a bottom plan view thereof; and,  
FIG. 8 is an exploded perspective view thereof.  
In the drawings, the broken lines show portions of a package and squeeze tubes that form no part of the claim.

**1 Claim, 6 Drawing Sheets**



(56)

**References Cited**

U.S. PATENT DOCUMENTS

D763,676	S	*	8/2016	Filho .....	D9/419
D772,067	S	*	11/2016	Mondelli .....	D9/456
D775,521	S	*	1/2017	Uribe .....	D9/414
D786,058	S	*	5/2017	Uribe .....	D9/414
D786,662	S	*	5/2017	Gutierrez Villanueva ....	D9/418
D795,687	S	*	8/2017	Pollock .....	D9/418
D866,314	S	*	11/2019	Marotti .....	D9/418
D866,333	S	*	11/2019	Safdie .....	D9/504
D882,411	S	*	4/2020	Jacobsson .....	D9/712
D895,419	S	*	9/2020	Huang .....	D9/420
D921,480	S	*	6/2021	Marotti .....	D9/418
D929,239	S	*	8/2021	Caiaffa .....	D9/712

OTHER PUBLICATIONS

Clear Triangular Gift Box. Publication date unavailable. Visited Oct. 13, 2021. <https://bagnboxman.co.uk/product/clear-flatfolding-triangular-carton-60-x-60-x-252-mm/> (Year: 0).\*

Custom Triangle Design Logo Lipstick Lipgloss Packaging Cosmetics Box Paper Gift Box. Published Feb. 20, 2021. Visited Oct. 13, 2021. <https://www.youtube.com/watch?v=nYkZivQCsgw> (Year: 2021).\*

How to make an easy Triangular box | Christmas gift box. Published Oct. 25, 2017. Visited Oct. 13, 2021. <https://www.youtube.com/watch?v=X5pXUInbk8U> (Year: 2017).\*

\* cited by examiner

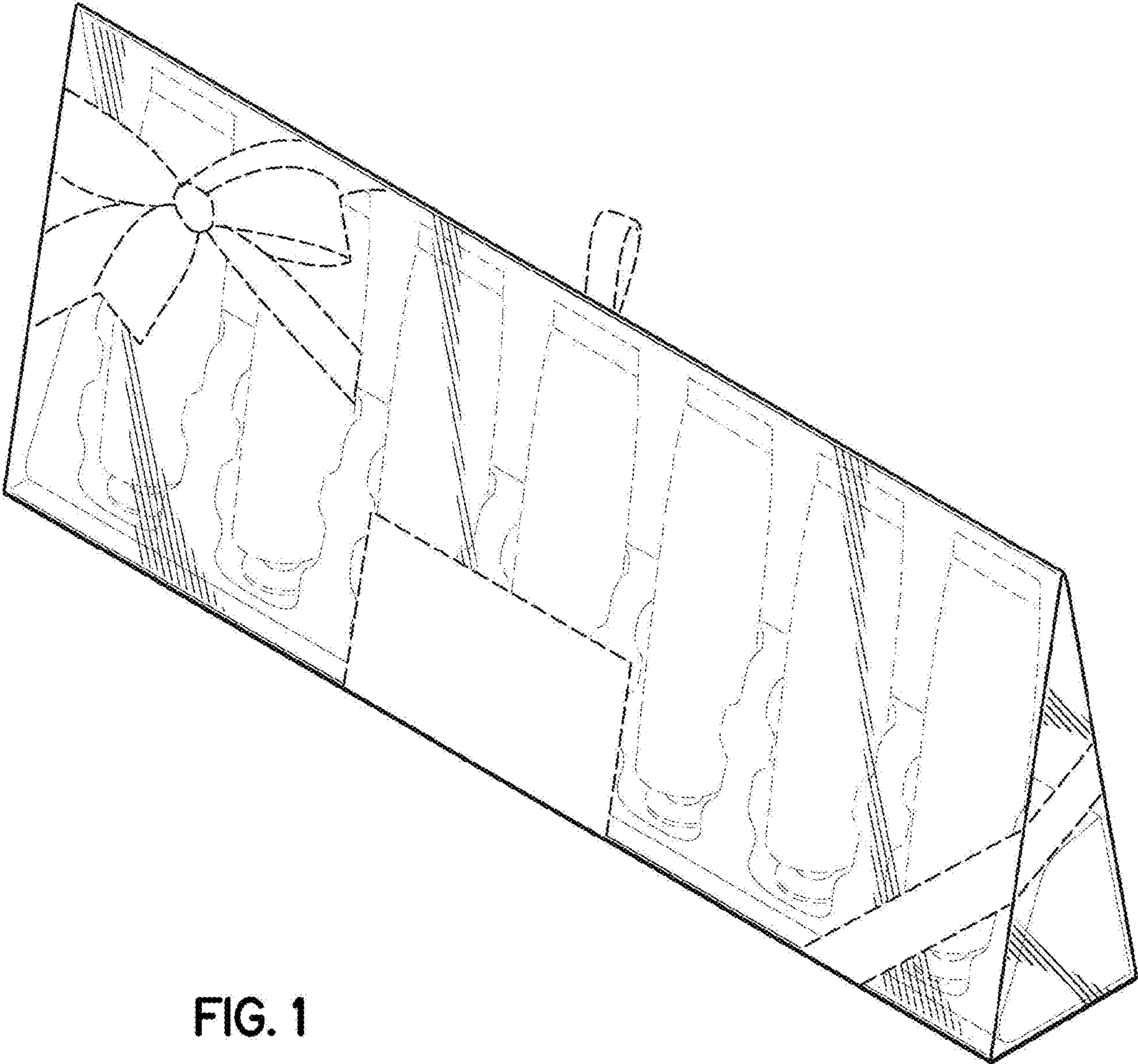


FIG. 1

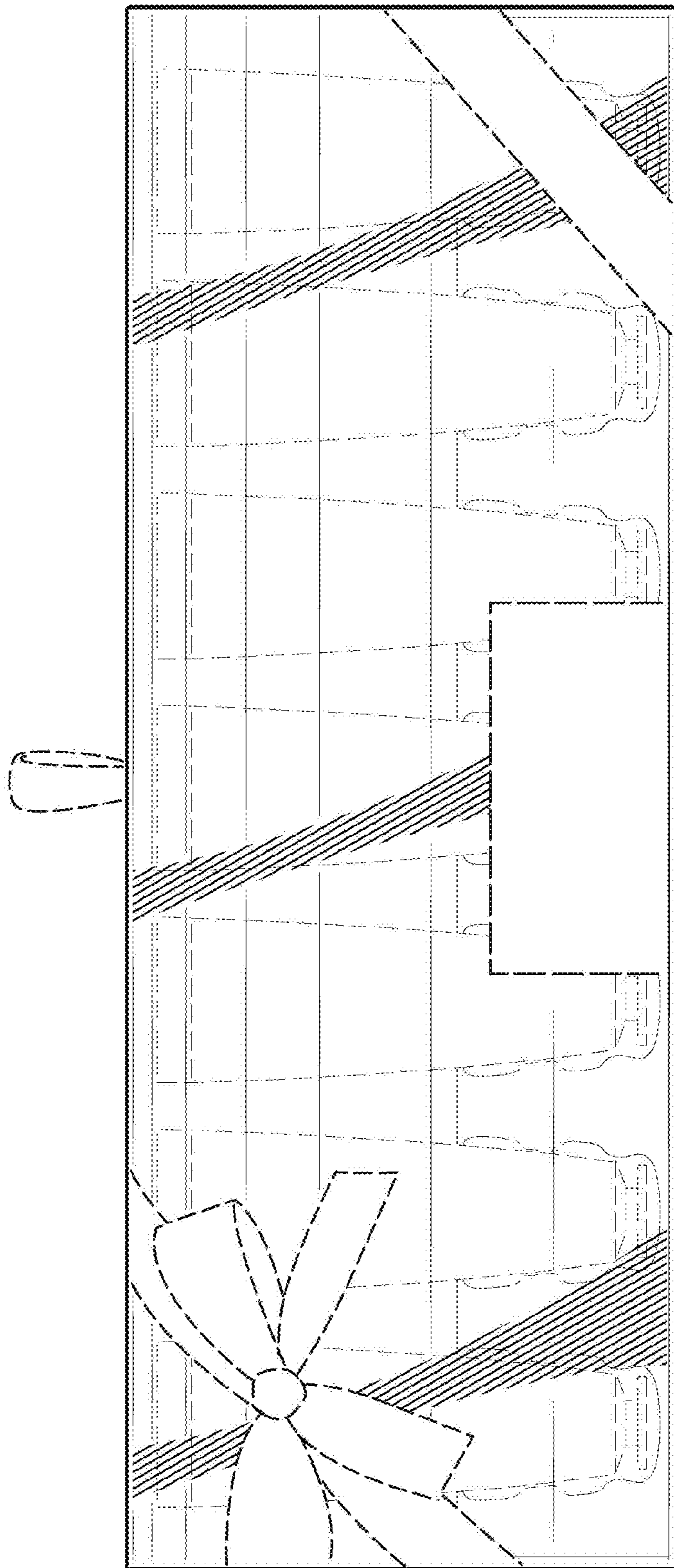


FIG. 2

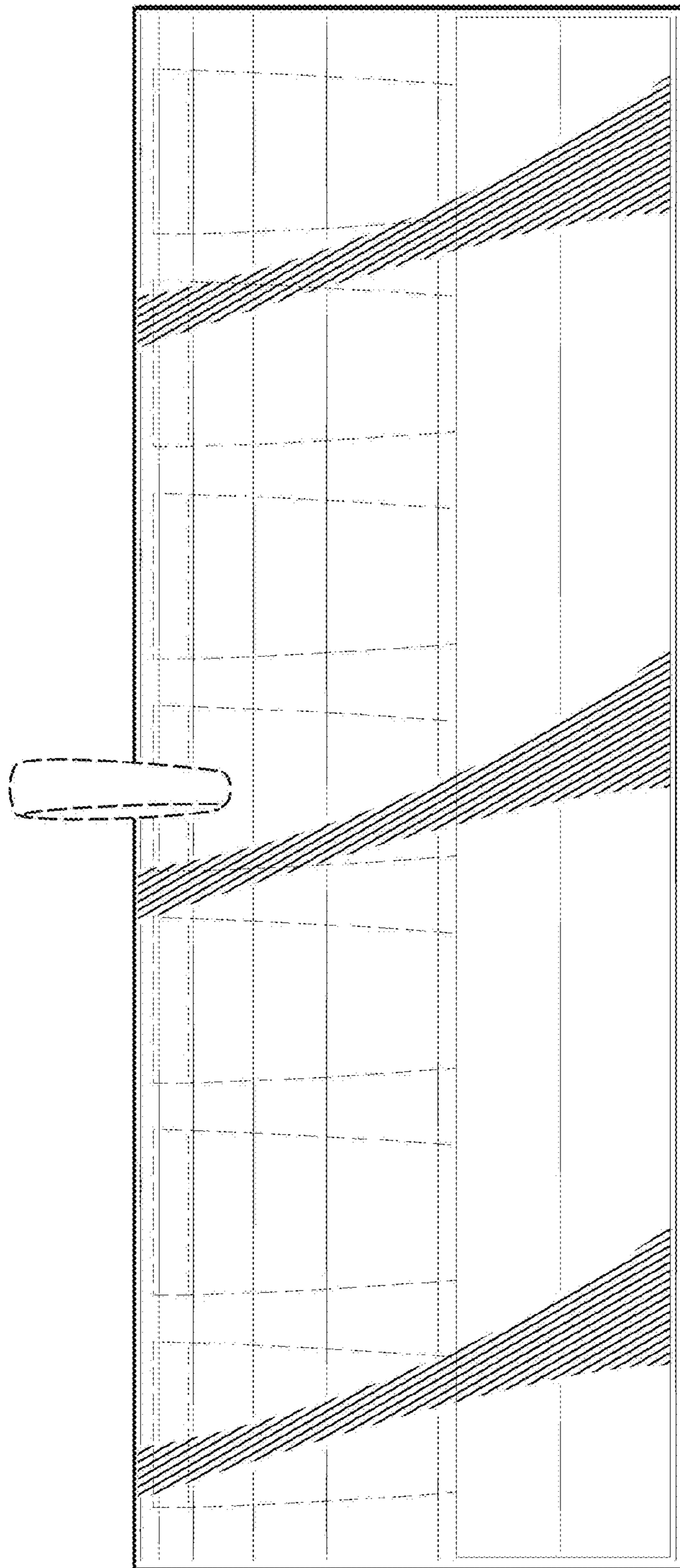


FIG. 3

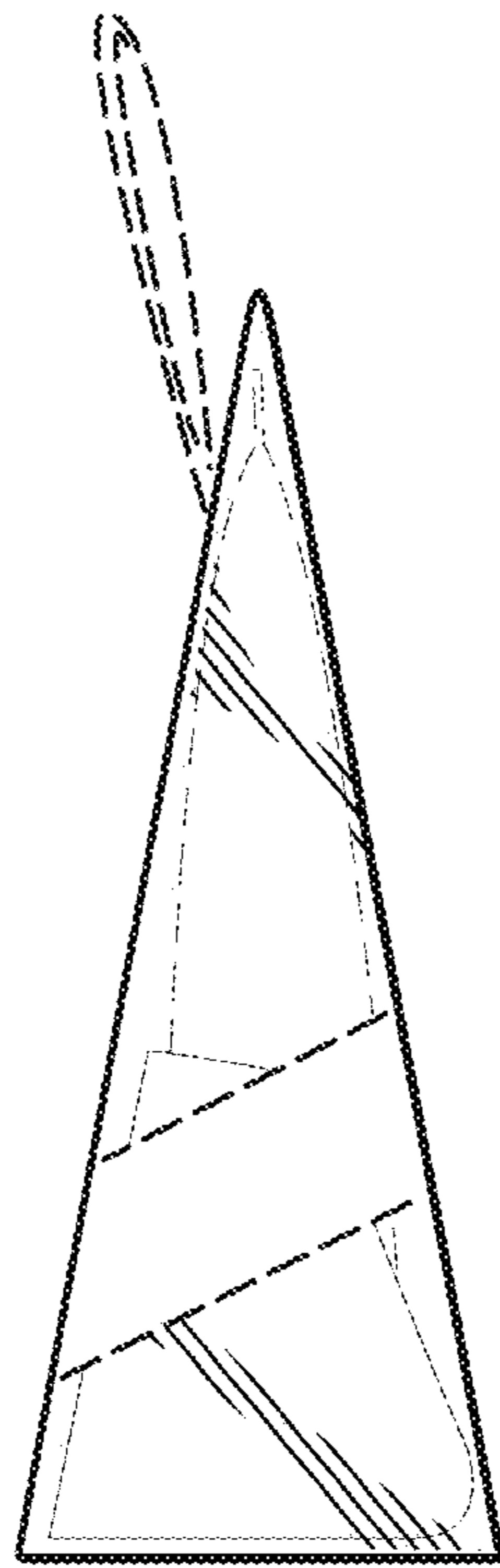


FIG. 4

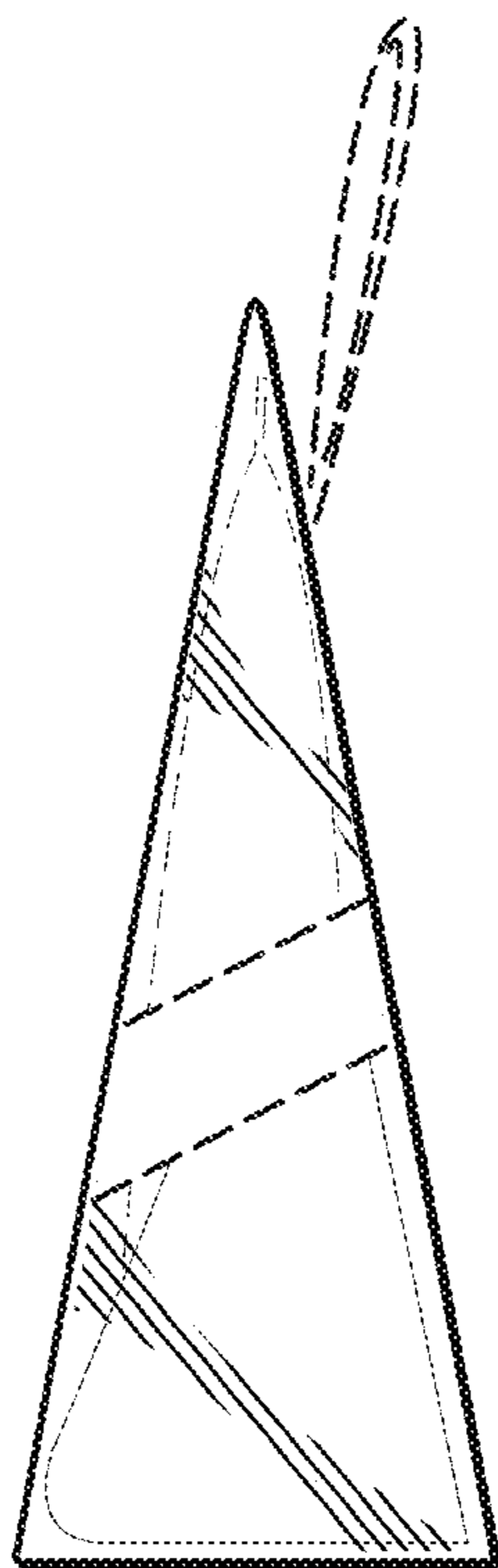


FIG. 5

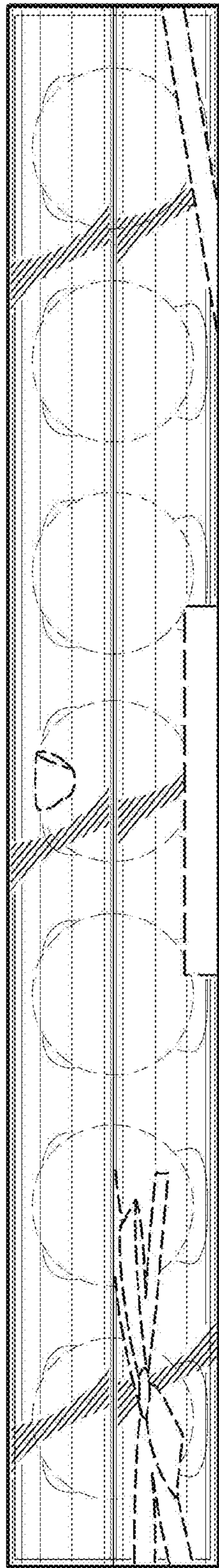


FIG. 6

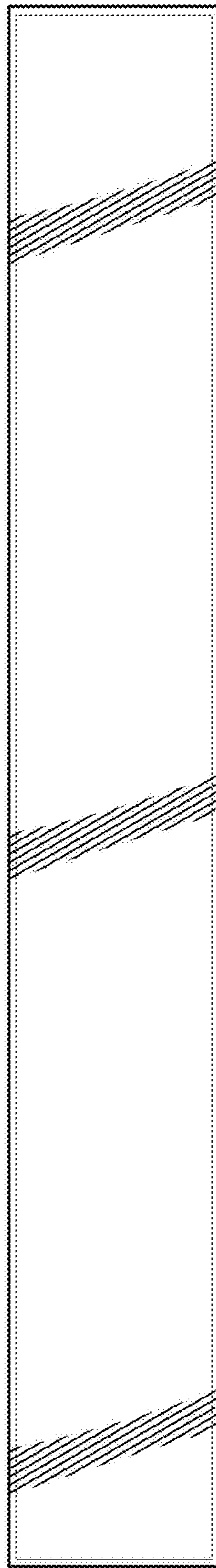


FIG. 7

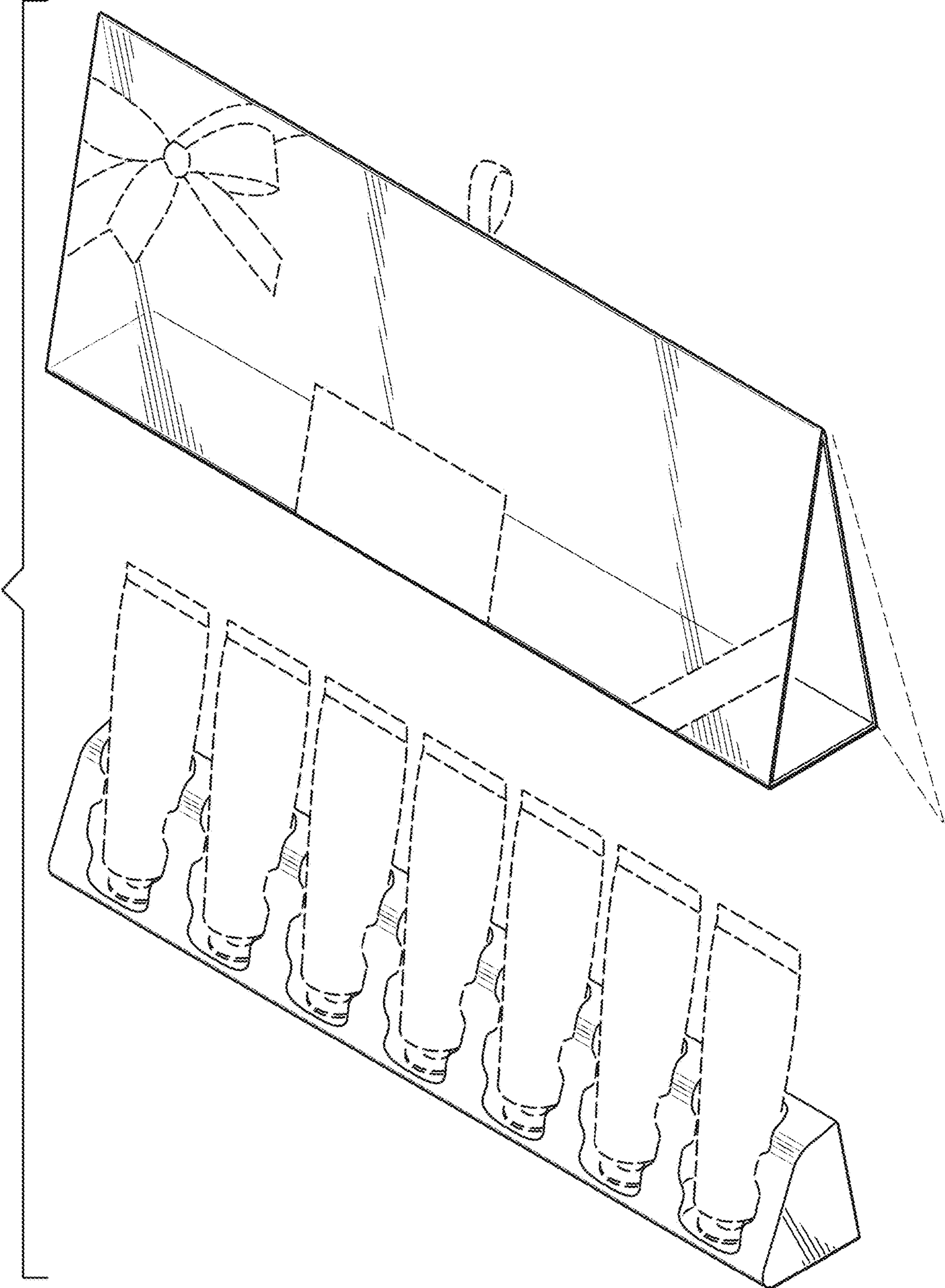


FIG. 8