



US00D947016S

(12) **United States Design Patent**
Wang

(10) **Patent No.:** **US D947,016 S**
(45) **Date of Patent:** **** Mar. 29, 2022**

(54) **DOVETAIL ANCHOR ASSEMBLY**

FOREIGN PATENT DOCUMENTS

(71) Applicant: **Henry Wang**, Winter Springs, FL (US)

CN 201830531415.0 1/2019

(72) Inventor: **Henry Wang**, Winter Springs, FL (US)

OTHER PUBLICATIONS

(**) Term: **15 Years**

Adm—V Series Universal Dovetail Bar Counterweight, first available [Oct. 21, 2020], <https://telescopes.net/>, [online], [site visited Oct. 21, 2020], Available from internet URL: <https://telescopes.net/store/adm-v-series-universal-dovetail-bar-counterweight.html> (Year: 2020).

(21) Appl. No.: **29/770,504**

(22) Filed: **Feb. 12, 2021**

(Continued)

Related U.S. Application Data

(62) Division of application No. 29/703,896, filed on Aug. 30, 2019, now Pat. No. Des. 931,093.

(51) **LOC (13) Cl.** **08-08**

(52) **U.S. Cl.**
USPC **D8/387**

(58) **Field of Classification Search**
USPC D8/358, 373, 385, 386–388, 393, 402, D8/349, 382, 396–397, 307; D11/79, 86, D11/222, 226; D17/20; D24/171
CPC F16B 12/22; F16B 12/24; F16B 12/125; F16B 37/14; F16B 12/20; F16B 12/26; F16B 13/045; F16B 19/109; F16B 2001/0064; F16B 31/021; F16B 35/00; F16B 37/085; F16B 37/145; E04B 1/4178; E04B 1/7616

See application file for complete search history.

Primary Examiner — Susan Bennett Hattan

Assistant Examiner — Elizabeth S Ko

(74) *Attorney, Agent, or Firm* — Wolter Van Dyke Davis, PLLC; Robert L. Wolter

(57) **CLAIM**

The ornamental design for a dovetail anchor assembly, as shown and described.

DESCRIPTION

FIG. 1 is a top left perspective view of a dovetail anchor assembly in accordance with the present invention; FIG. 2 is a top right perspective view thereof; FIG. 3 is a bottom left perspective view thereof; FIG. 4 is a bottom right perspective view thereof; FIG. 5 is a front view thereof; FIG. 6 is a back view thereof; FIG. 7 is a right side view thereof; FIG. 8 is a left side view thereof; FIG. 9 is a top side view thereof; and, FIG. 10 is a bottom side view thereof. The broken lines that are immediately adjacent to claimed surfaces are considered to be boundary-type broken lines. All other broken lines which show features within broken line boundaries show portions of the dovetail anchor assembly that form no part of the claimed design.

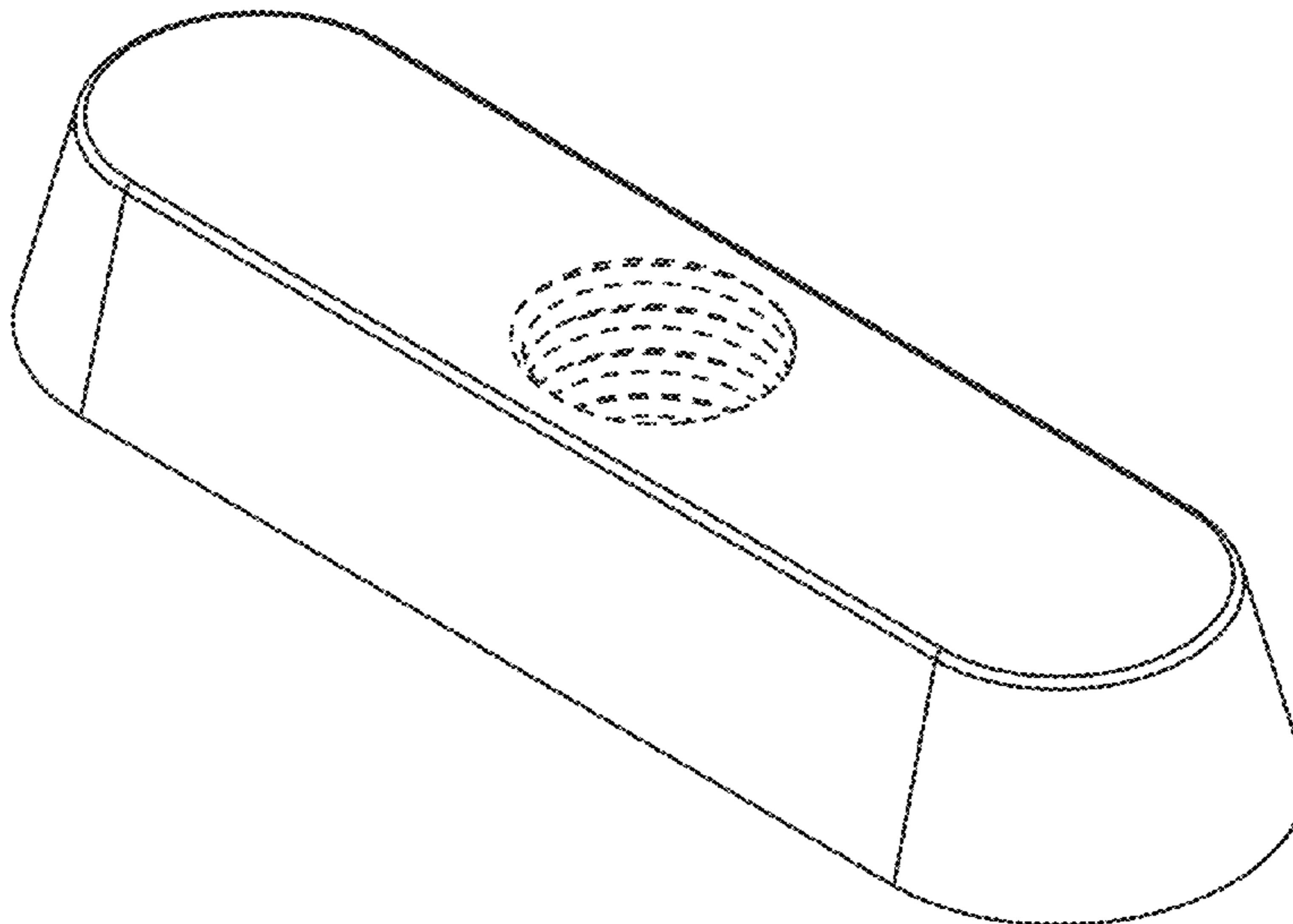
(56) **References Cited**

U.S. PATENT DOCUMENTS

| | | | |
|-------------|-----------|-----------------|---------------|
| 2,175,632 A | 10/1939 | Maga | |
| 4,027,711 A | 6/1977 | Tummarello | |
| 4,818,163 A | 4/1989 | Bereiter et al. | |
| D320,805 S | * 10/1991 | Sassmannshausen | D17/22 |
| 5,797,164 A | 8/1998 | Donaghy | |
| D435,890 S | * 1/2001 | Fleischmann | D23/249 |
| D464,118 S | * 10/2002 | Lord | D23/249 |
| D469,163 S | * 1/2003 | Fabian | D23/249 |
| D473,288 S | * 4/2003 | Lord | D23/249 |

(Continued)

1 Claim, 4 Drawing Sheets



(56)

References Cited

U.S. PATENT DOCUMENTS

D523,929 S * 6/2006 Chung D23/241
 D525,513 S * 7/2006 Anderson D8/307
 D527,980 S * 9/2006 Sato D8/307
 D542,622 S * 5/2007 Ricereto D8/307
 7,241,094 B1 7/2007 Potts et al.
 D572,998 S * 7/2008 Crain D8/305
 D581,255 S 11/2008 Calvin
 D588,896 S * 3/2009 Ricereto D8/307
 D609,550 S * 2/2010 Wan D8/307
 D625,977 S * 10/2010 Watson D8/51
 D680,407 S * 4/2013 Ramsland D8/307
 D698,634 S * 2/2014 Oetlinger D8/387
 D703,022 S * 4/2014 Nordwall B25G 1/04
 D721,941 S * 2/2015 Han D8/307
 9,032,684 B2 5/2015 Huff
 9,091,053 B2 7/2015 Labonte et al.
 D755,035 S * 5/2016 Bahler D8/307
 D772,684 S * 11/2016 Zimmer D8/307

D784,787 S * 4/2017 Bertani D8/307
 D787,296 S * 5/2017 Zimmer D8/307
 9,637,933 B2 5/2017 Zhou et al.
 D817,385 S * 5/2018 Shaw D17/20
 D860,771 S * 9/2019 Feng D8/387
 2009/0013635 A1 1/2009 Nagaiwa et al.
 2014/0245678 A1 9/2014 Mathews et al.
 2015/0343607 A1 12/2015 Wang
 2017/0298616 A1 10/2017 Zhang et al.
 2018/0099404 A1 4/2018 Wang
 2018/0320365 A1 11/2018 Albartus et al.
 2020/0338717 A1 10/2020 Pugh

OTHER PUBLICATIONS

Primaluce Lab Plus Vixen Plates—Dovetail Bars, first available [Oct. 21, 2020], <https://www.widescreen-centre.co.uk/>, [online], v [site visited Oct. 21, 2020], Available from internet URL: <https://www.widescreen-centre.co.uk/primaluce-lab-plus-vixen-plates-dovetail-bars.html> (Year: 2020).

* cited by examiner

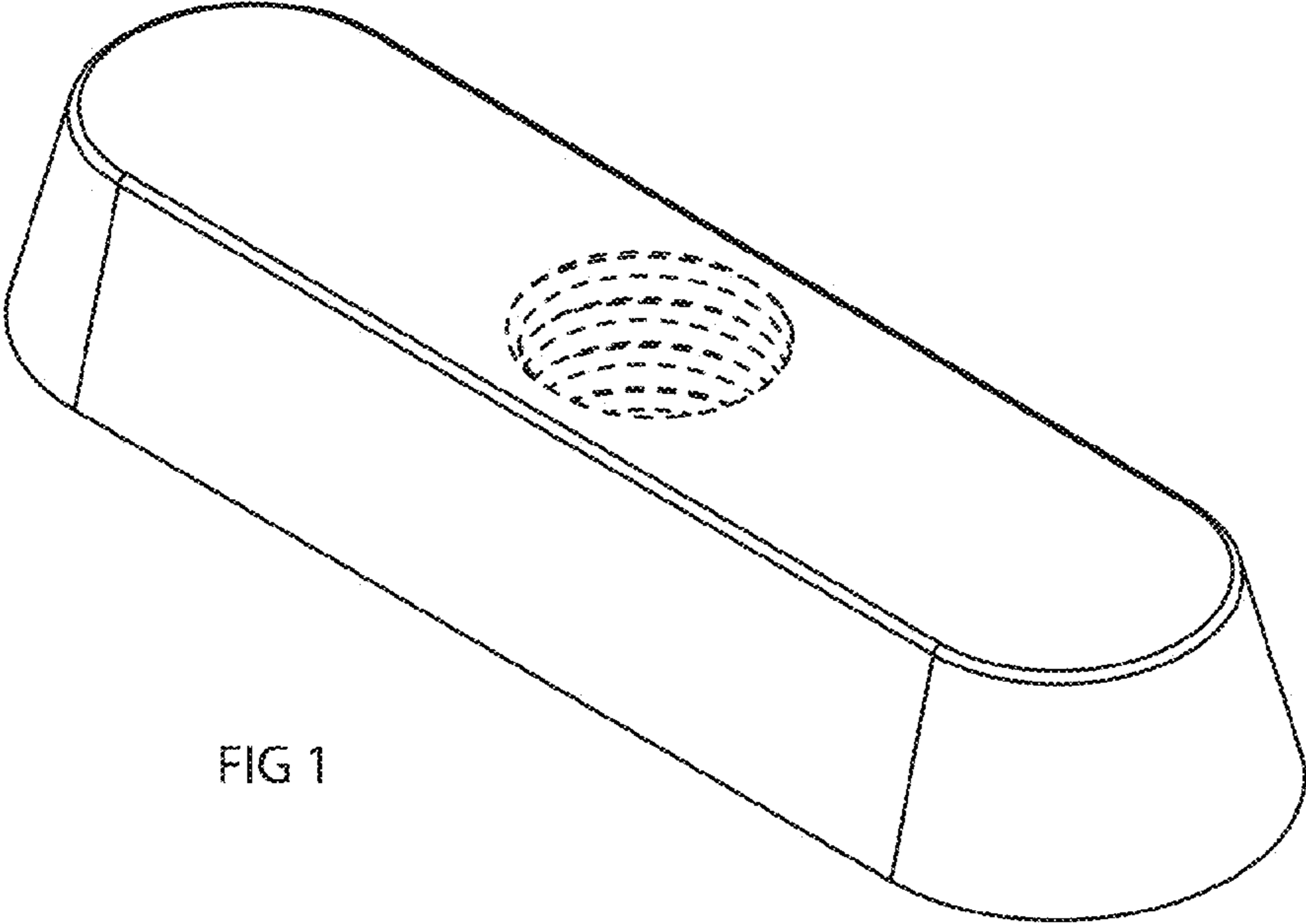


FIG 1

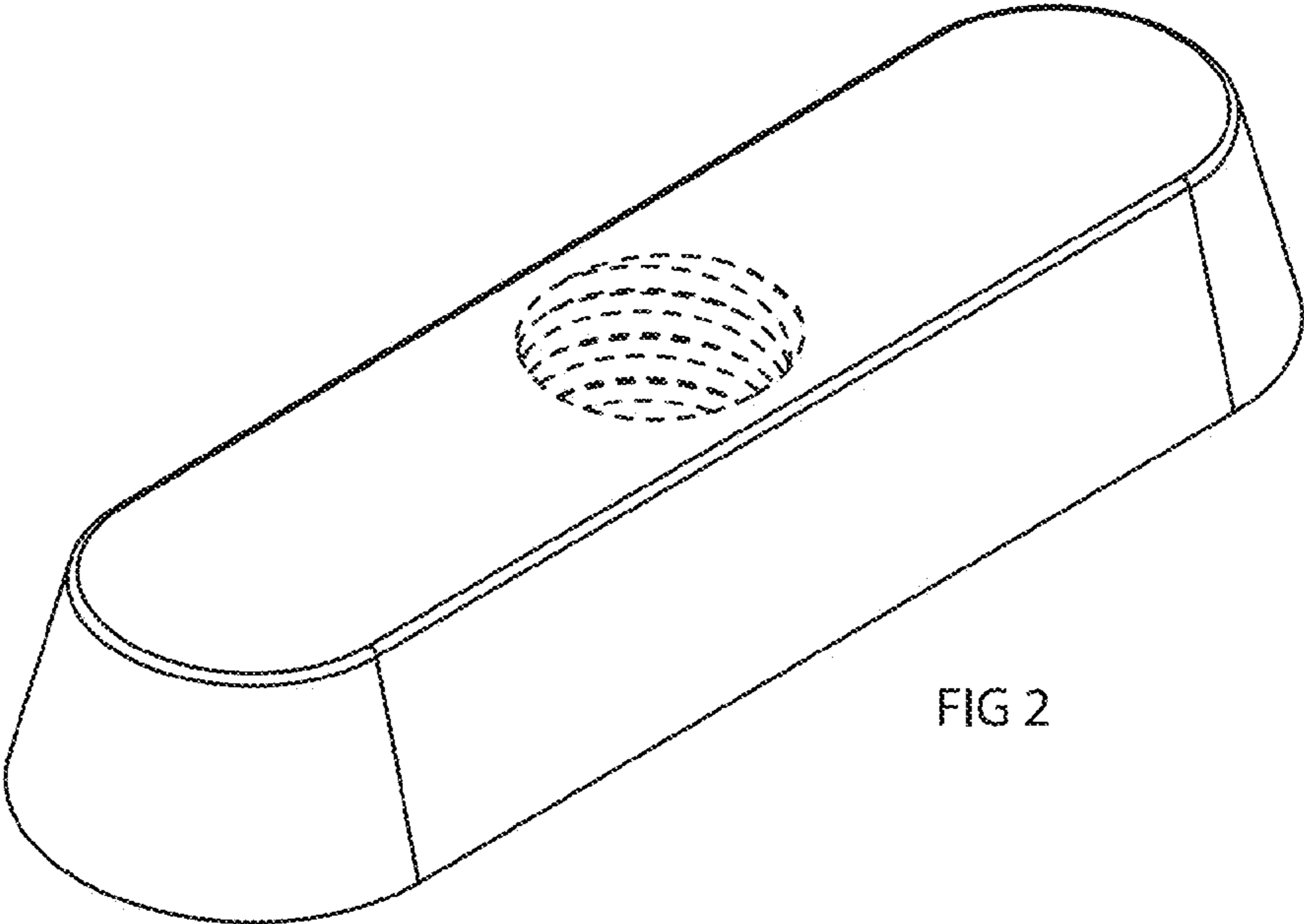


FIG 2

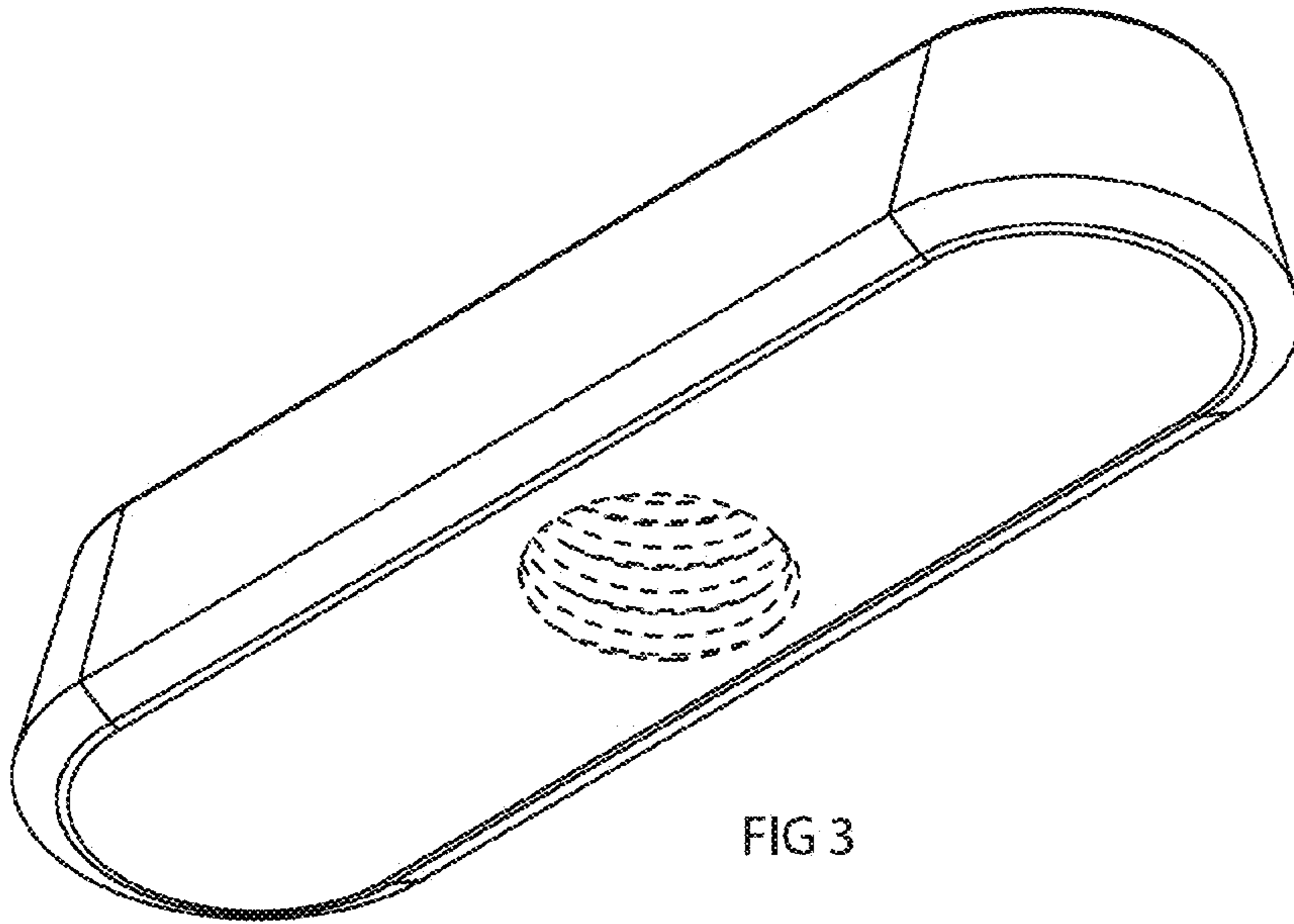


FIG 3

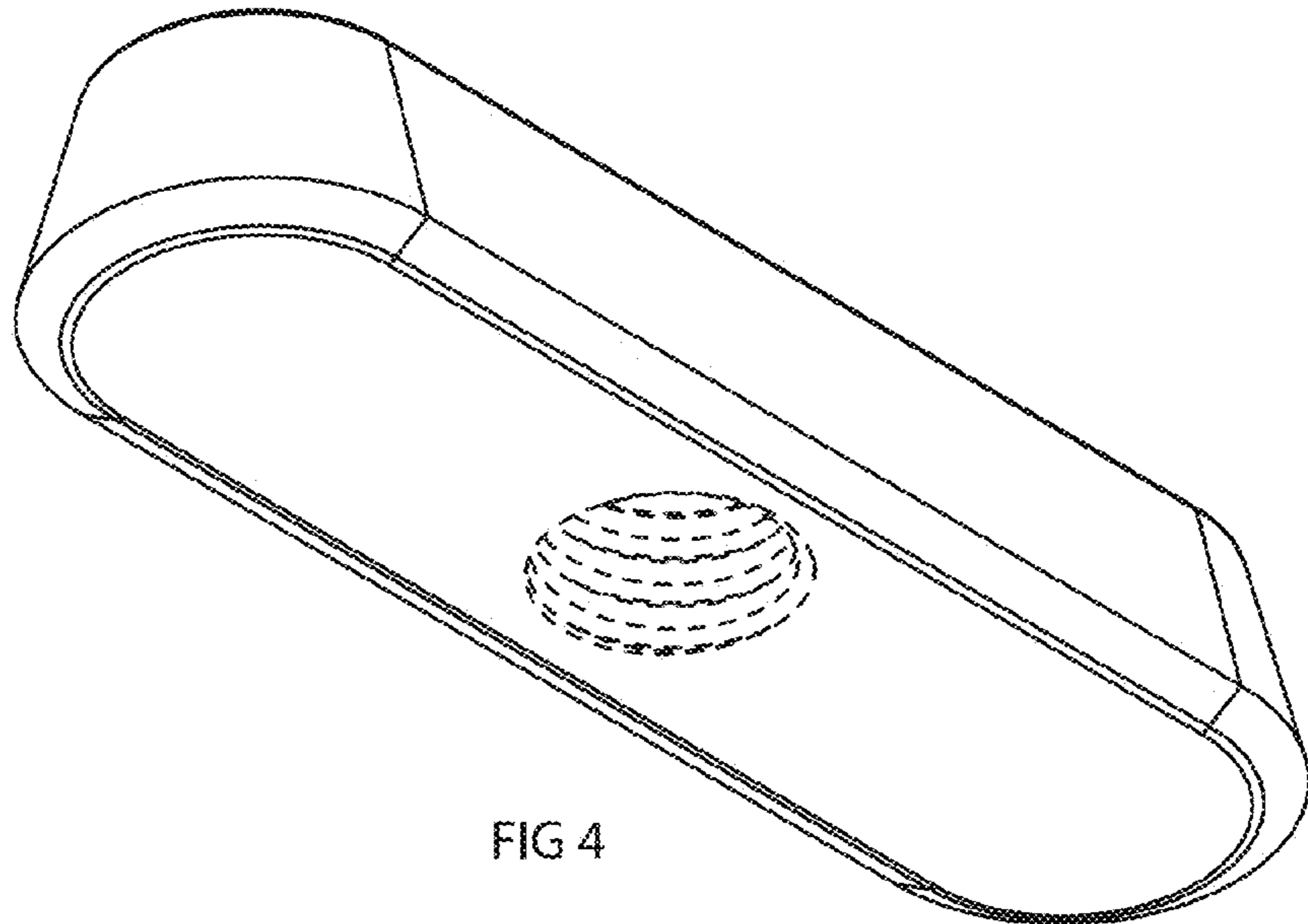


FIG 4



FIG 5



FIG 6

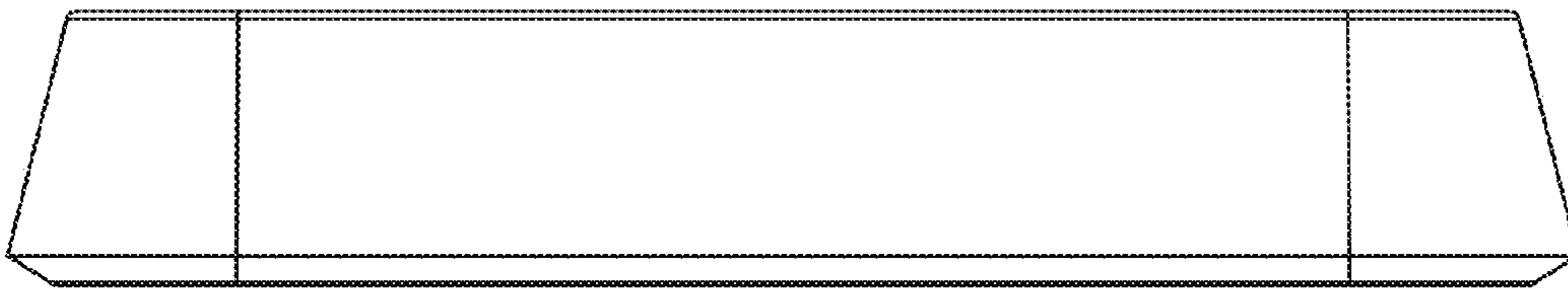


FIG 7



FIG 8

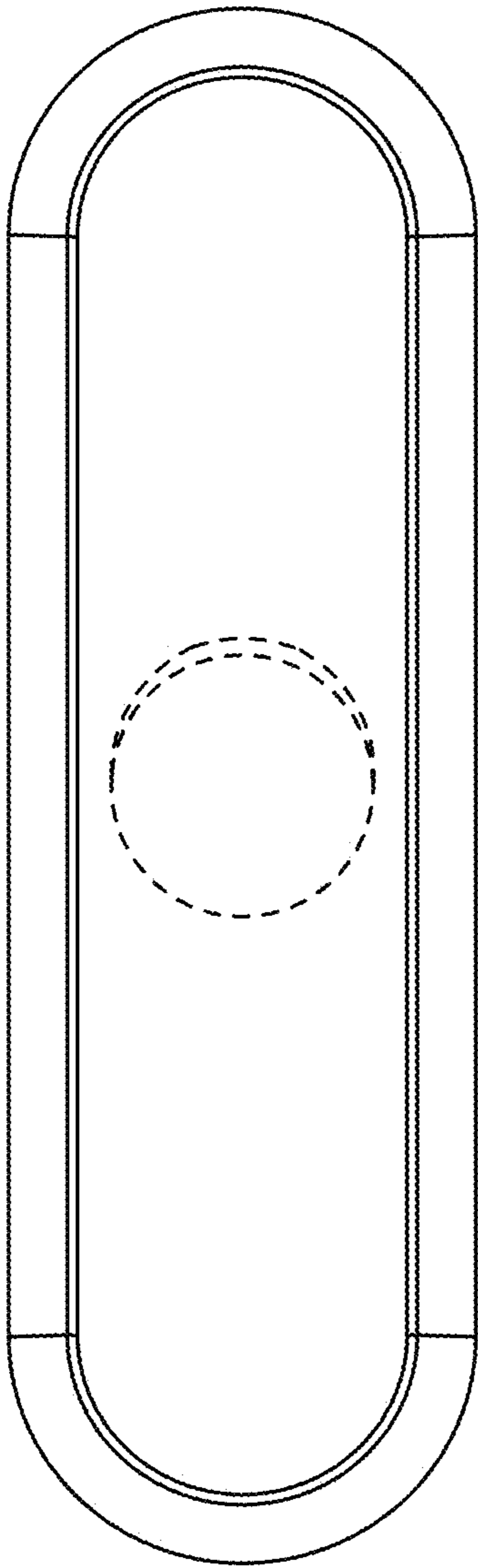


FIG 9

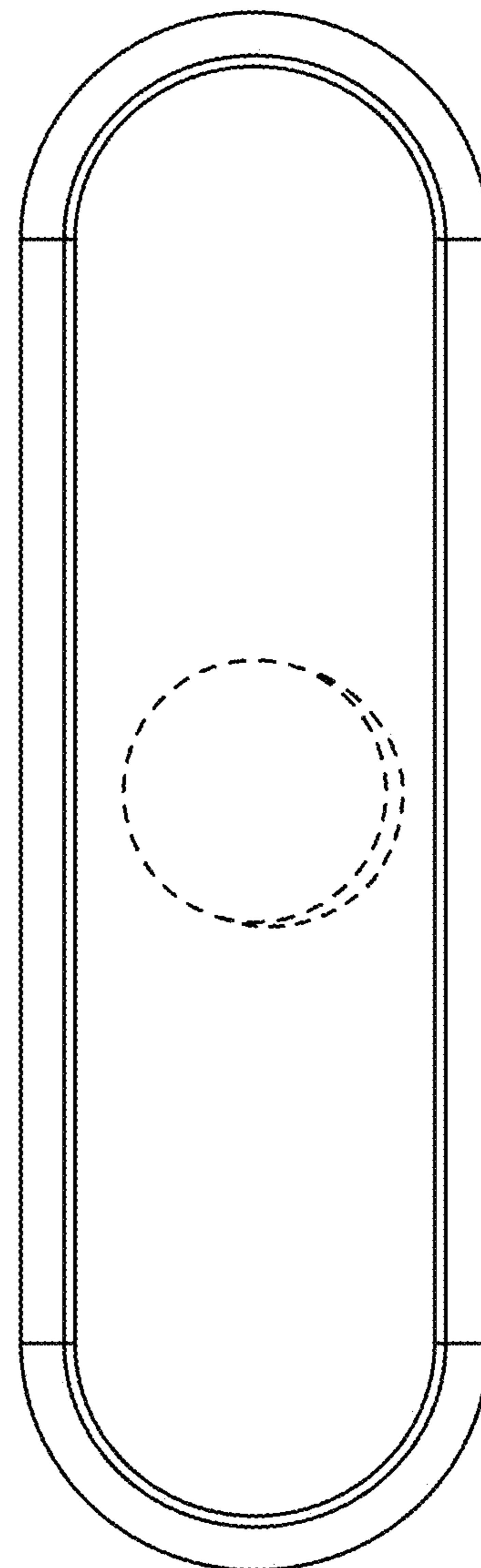


FIG 10