



US00D947014S

(12) **United States Design Patent**  
**Heindl**

(10) **Patent No.:** **US D947,014 S**  
(45) **Date of Patent:** **\*\* Mar. 29, 2022**

(54) **SHEET PILE CONNECTOR**  
(71) Applicant: **Richard Heindl**, Gräfelfing (DE)  
(72) Inventor: **Richard Heindl**, Gräfelfing (DE)  
(\*\*) Term: **15 Years**  
(21) Appl. No.: **29/762,542**  
(22) Filed: **Dec. 17, 2020**

2,018,625 A \* 10/1935 Grave ..... E02D 5/04  
405/277  
2,020,795 A \* 11/1935 Nolte ..... E02D 5/04  
405/277  
2,104,490 A \* 1/1938 Kohler ..... E02D 5/08  
405/279  
2,128,740 A 8/1938 Dougherty  
2,332,812 A 10/1943 Rieger et al.  
D242,035 S 10/1976 Drawsky  
D313,478 S \* 1/1991 Whitney ..... D25/119  
5,292,208 A 3/1994 Berger  
6,000,883 A 12/1999 Irvine et al.

(Continued)

(30) **Foreign Application Priority Data**

Jun. 24, 2020 (EM) ..... 008019947-0001  
(51) **LOC (13) Cl.** ..... **08-08**  
(52) **U.S. Cl.**  
USPC ..... **D8/382; D25/119**  
(58) **Field of Classification Search**  
USPC ..... D8/382, 394, 395; D25/119  
CPC .... E02D 5/02; E02D 5/04; E02D 5/06; E02D  
5/08; E02D 5/12; Y10T 403/73  
See application file for complete search history.

**FOREIGN PATENT DOCUMENTS**

DE 2819737 A1 \* 11/1979 ..... E02D 5/04  
DE 10307414 A1 \* 9/2004 ..... E02D 5/04

(Continued)

**OTHER PUBLICATIONS**

Office Action issued for Design U.S. Appl. No. 29/725,964, dated Feb. 4, 2021.

*Primary Examiner* — Sandra Snapp  
*Assistant Examiner* — Ieisha N Price  
(74) *Attorney, Agent, or Firm* — Meunier Carlin & Curfman LLC

(56) **References Cited**

**U.S. PATENT DOCUMENTS**

850,496 A \* 4/1907 Schuchart ..... E02D 5/02  
405/274  
904,156 A \* 11/1908 Slick ..... E02D 5/08  
405/279  
1,098,077 A \* 5/1914 Annison ..... E02D 5/08  
405/279  
1,431,274 A \* 10/1922 Webb ..... E02D 5/08  
405/279  
1,460,263 A 6/1923 Ver Mehr et al.  
1,837,787 A 12/1931 Josef  
1,851,864 A \* 3/1932 Nolte ..... E02D 5/08  
405/279  
1,862,426 A 6/1932 Walther  
1,918,886 A \* 7/1933 Amand ..... E02D 5/08  
405/279  
1,937,758 A 12/1933 Harris

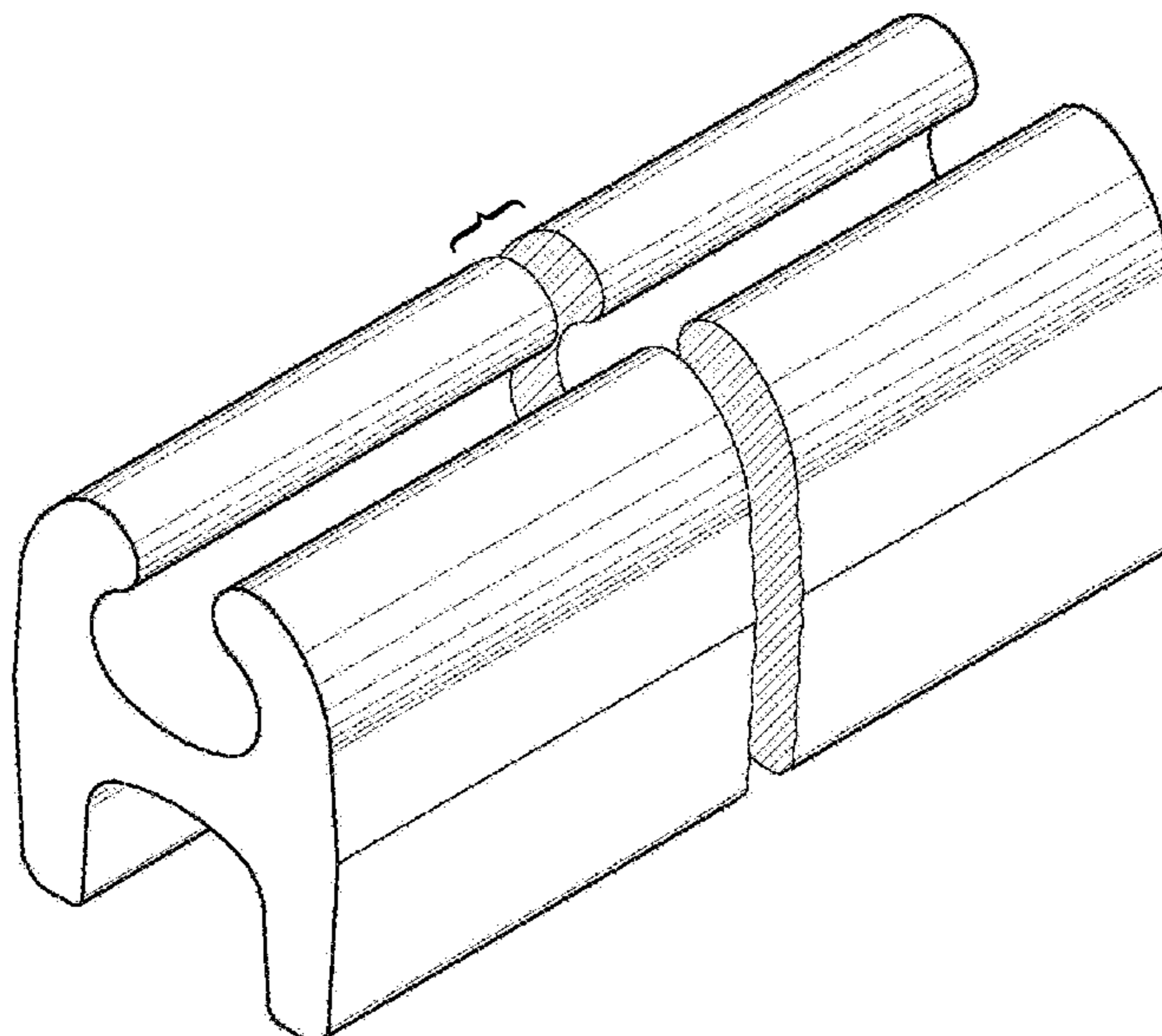
(57) **CLAIM**

The ornamental design for a sheet pile connector, as shown and described.

**DESCRIPTION**

FIG. 1 is a front perspective view of my new design; and, FIG. 2 is a side view thereof. The sheet pile connector is shown with a symbolic break in its length. The appearance of any portion of the article between the break lines forms no part of the claimed design.

**1 Claim, 2 Drawing Sheets**



(56)

References Cited

U.S. PATENT DOCUMENTS

D465,288 S 11/2002 Wall  
 D471,083 S \* 3/2003 Wall ..... D25/119  
 D479,797 S \* 9/2003 Wall ..... D25/119  
 D479,798 S 9/2003 Wall  
 D479,983 S 9/2003 Wall  
 D484,991 S \* 1/2004 Davies ..... D25/60  
 7,018,140 B1 3/2006 Hartman  
 D527,248 S 8/2006 Heindl  
 D541,638 S 5/2007 Heindl  
 D541,642 S \* 5/2007 Heindl ..... D8/382  
 D542,643 S \* 5/2007 Heindl ..... D8/382  
 D543,100 S \* 5/2007 Heindl ..... D8/382  
 D543,101 S \* 5/2007 Heindl ..... D8/382  
 D543,841 S 6/2007 Heindl  
 D549,493 S \* 8/2007 Petrick ..... D6/712  
 D618,990 S 7/2010 Heindl  
 D618,991 S 7/2010 Heindl  
 D621,248 S 8/2010 Heindl  
 D621,251 S 8/2010 Heindl  
 D621,252 S 8/2010 Heindl  
 D623,930 S \* 9/2010 Austro ..... D8/382  
 D626,828 S 11/2010 Austro  
 D637,476 S 5/2011 Hanna  
 7,935,406 B2 5/2011 Heindl  
 D640,533 S 6/2011 Austro  
 D640,535 S 6/2011 Austro  
 D643,132 S 8/2011 MacKenzie  
 8,088,469 B2 1/2012 Heindl  
 D665,658 S 8/2012 Heindl  
 D665,660 S 8/2012 Heindl  
 D666,484 S 9/2012 Heindl  
 D669,135 S \* 10/2012 Garfinkle ..... D20/43  
 8,323,765 B2 12/2012 Heindl  
 D681,428 S 5/2013 Heindl  
 D681,429 S 5/2013 Heindl  
 D681,430 S 5/2013 Heindl  
 D681,431 S \* 5/2013 Heindl ..... D8/382  
 D697,255 S \* 1/2014 Wang ..... D26/138  
 D704,769 S \* 5/2014 Penington ..... D19/81  
 D706,125 S 6/2014 Heindl  
 D801,794 S 11/2017 Heindl

D807,159 S 1/2018 Heindl  
 D823,099 S 7/2018 Wuensch  
 D823,483 S 7/2018 Wuensch  
 D832,088 S 10/2018 Heindl  
 D832,089 S 10/2018 Heindl  
 D832,091 S 10/2018 Heindl  
 D832,687 S 11/2018 Heindl  
 D832,688 S 11/2018 Heindl  
 D847,382 S 4/2019 Seiler  
 D861,469 S 10/2019 Heindl  
 D868,570 S 12/2019 Heindl  
 D868,571 S 12/2019 Heindl  
 D876,937 S 3/2020 Heindl  
 D880,487 S \* 4/2020 Martin ..... D14/454  
 D887,824 S 6/2020 Heindl  
 D902,624 S \* 11/2020 Fons ..... D6/552  
 D915,723 S \* 4/2021 Wood ..... D34/35  
 D917,125 S \* 4/2021 Wood ..... D34/35  
 2005/0076595 A1 \* 4/2005 Wall ..... E02D 5/08  
 52/506.01  
 2005/0163575 A1 7/2005 Dagher et al.  
 2005/0238443 A1 \* 10/2005 Heindl ..... E02D 5/08  
 405/277  
 2006/0179771 A1 8/2006 Heindl et al.  
 2006/0283139 A1 12/2006 Wall  
 2007/0147962 A1 6/2007 Wendt et al.  
 2008/0145153 A1 6/2008 Wendt et al.  
 2009/0191008 A1 7/2009 Heindl  
 2014/0219715 A1 8/2014 Wolf

FOREIGN PATENT DOCUMENTS

DE 10318769 A1 \* 9/2004 ..... E02D 5/08  
 EP 0866174 A1 \* 9/1998 ..... E02D 5/08  
 EP 3543406 A1 \* 9/2019 ..... E02D 5/285  
 GB 190914951 A \* 1/1910 ..... E02D 5/08  
 GB 295996 A \* 4/1929 ..... E02D 5/08  
 GB 318893 A \* 12/1930 ..... E02D 5/08  
 GB 437932 A \* 11/1935 ..... E02D 5/08  
 WO WO-2005038148 A1 \* 4/2005 ..... E02D 5/08  
 WO WO-2005111315 A1 \* 11/2005 ..... E02D 5/06  
 WO WO-2007006567 A2 \* 1/2007 ..... E02D 5/08  
 WO WO-2013079789 A1 \* 6/2013 ..... E02D 5/12

\* cited by examiner

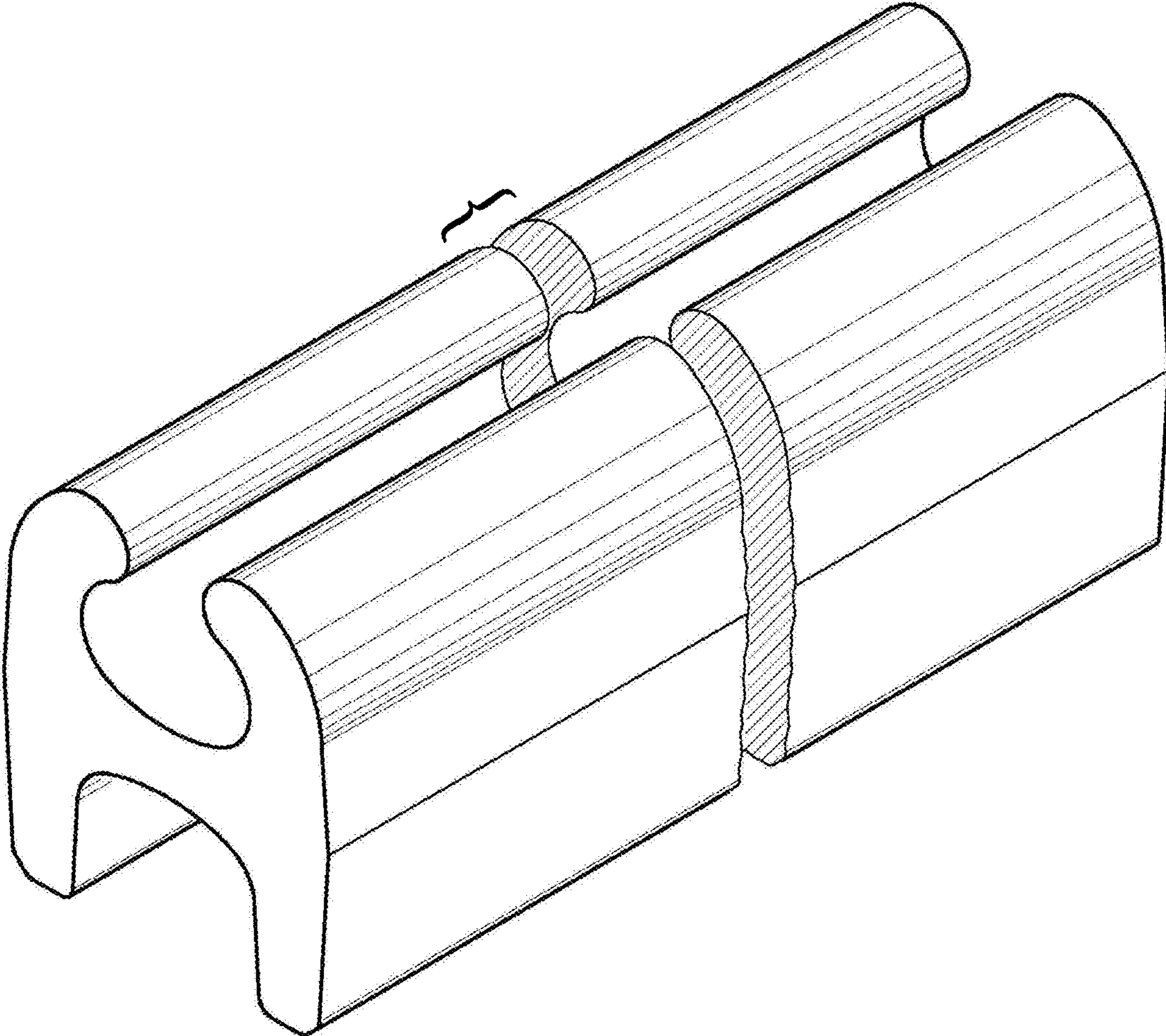


FIG. 1

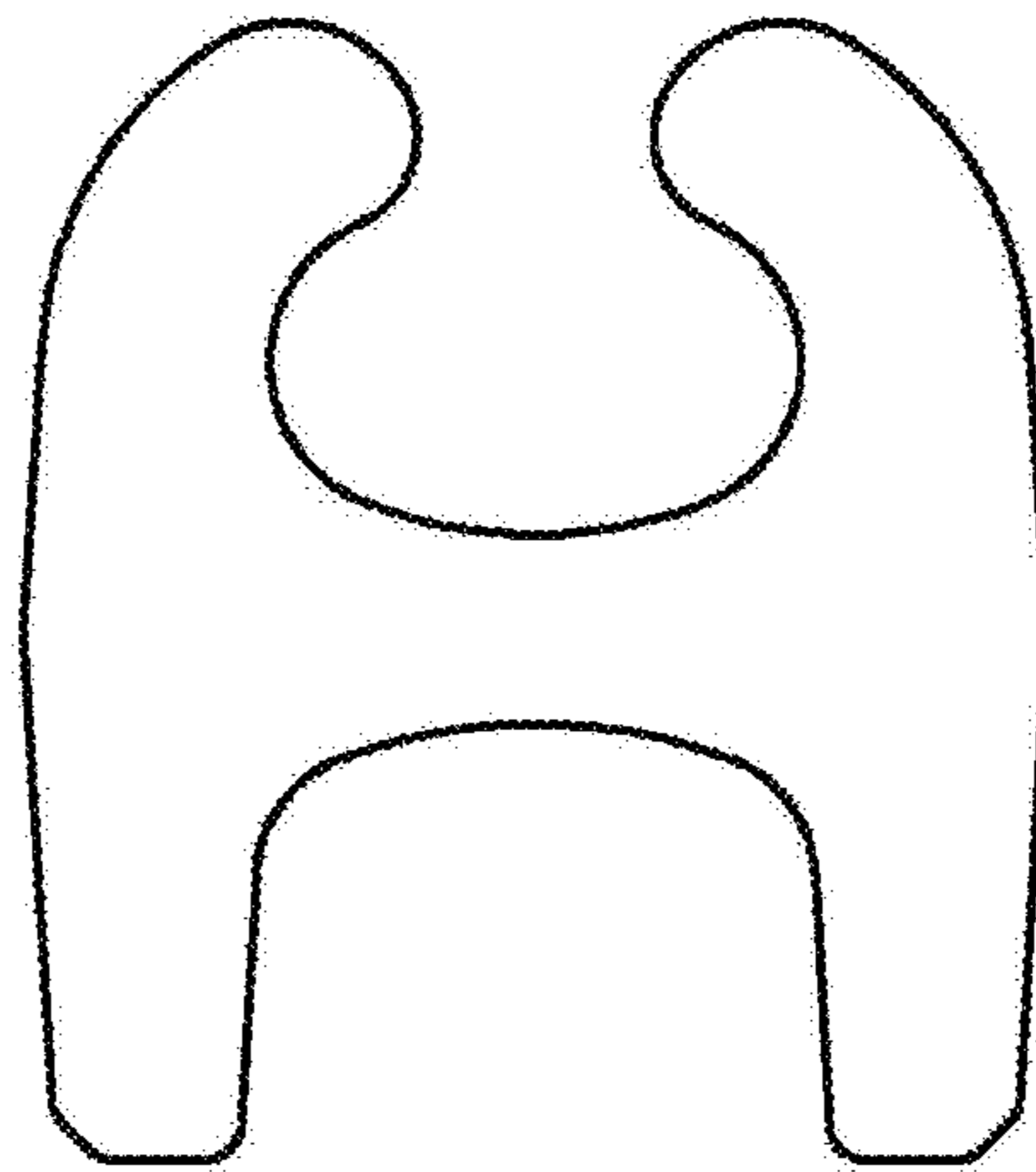


FIG. 2