



US00D947013S

(12) **United States Design Patent** (10) **Patent No.:** **US D947,013 S**
Wang (45) **Date of Patent:** **** Mar. 29, 2022**

(54) **FASTENER**
(71) Applicant: **FIVETECH TECHNOLOGY INC.,**
New Taipei (TW)
(72) Inventor: **Ting-Jui Wang,** New Taipei (TW)
(73) Assignee: **FIVETECH TECHNOLOGY INC.,**
New Taipei (TW)
(**) Term: **15 Years**
(21) Appl. No.: **29/727,425**
(22) Filed: **Mar. 11, 2020**
(51) **LOC (13) Cl.** **08-08**
(52) **U.S. Cl.**
USPC **D8/382**
(58) **Field of Classification Search**
USPC D8/300, 307, 310, 321, 354, 382, 387,
D8/395, 499
CPC F16B 41/002; F16B 5/0208; F16B 39/28;
Y10S 411/97; Y10S 411/999
See application file for complete search history.

D816,758 S * 5/2018 Martin D16/237
D822,082 S * 7/2018 Tanimura D15/143
D823,905 S * 7/2018 Walters D15/135
D829,787 S * 10/2018 Tanimura D15/143
D832,899 S * 11/2018 Walters D15/135
D834,404 S * 11/2018 Pista D8/387
D838,582 S * 1/2019 Szucs D8/382
10,287,122 B2 * 5/2019 Walters B65H 16/005
D857,486 S * 8/2019 Pista D8/387
D866,307 S * 11/2019 Wang D8/382
D890,594 S * 7/2020 Gao D8/312
D903,481 S * 12/2020 Harders D8/397
2003/0113183 A1 * 6/2003 McAfee F16B 5/0208
411/107
2004/0131444 A1 * 7/2004 Franco F16B 5/0208
411/352
2018/0274573 A1 * 9/2018 Frost F16B 5/0208

* cited by examiner

Primary Examiner — Sandra Snapp
Assistant Examiner — Ieisha N Price

(57) **CLAIM**

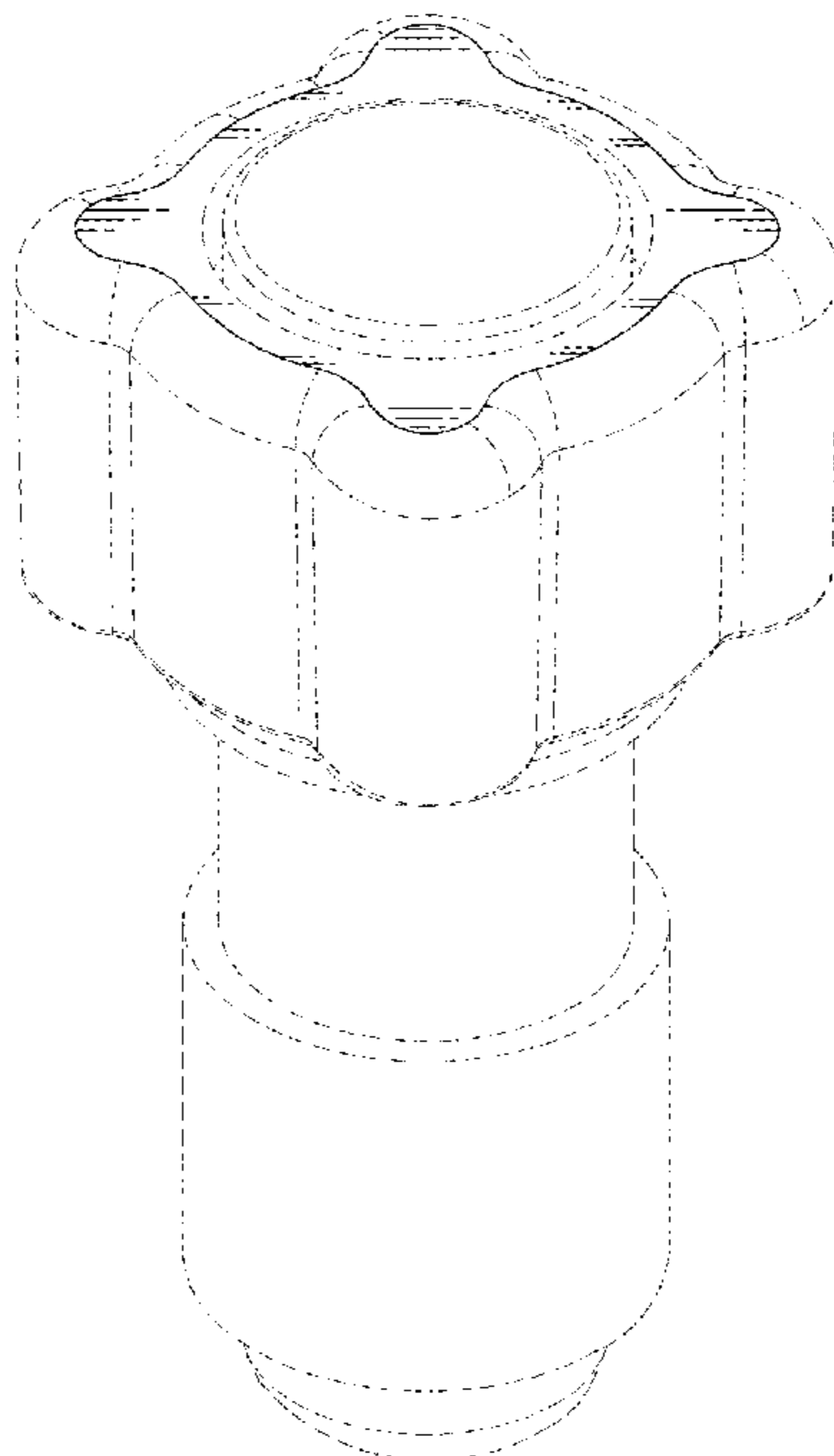
The ornamental design for a fastener, as shown and described.

DESCRIPTION

FIG. 1 is a perspective view of a fastener showing my new design;
FIG. 2 is a front elevation view thereof;
FIG. 3 is a rear elevation view thereof;
FIG. 4 is a left side elevation view thereof;
FIG. 5 is a right side elevation view thereof;
FIG. 6 is a top plan view thereof; and,
FIG. 7 is a bottom plan view thereof.
The broken lines in the drawings illustrate portions of the fastener and form no part of the claimed design.

1 Claim, 4 Drawing Sheets

(56) **References Cited**
U.S. PATENT DOCUMENTS
D243,580 S * 3/1977 DeCaro D8/388
D268,516 S * 4/1983 Thompson D23/254
D268,517 S * 4/1983 Thompson D23/254
D388,316 S * 12/1997 McDonough D8/310
D478,806 S * 8/2003 McDonough D8/387
D480,950 S * 10/2003 Ellis D8/382
D502,644 S * 3/2005 Ellis D8/382
D551,957 S * 10/2007 Chen D8/387
D551,958 S * 10/2007 Chen D8/387
D572,998 S * 7/2008 Crain D8/305
D802,408 S * 11/2017 Wang D8/387



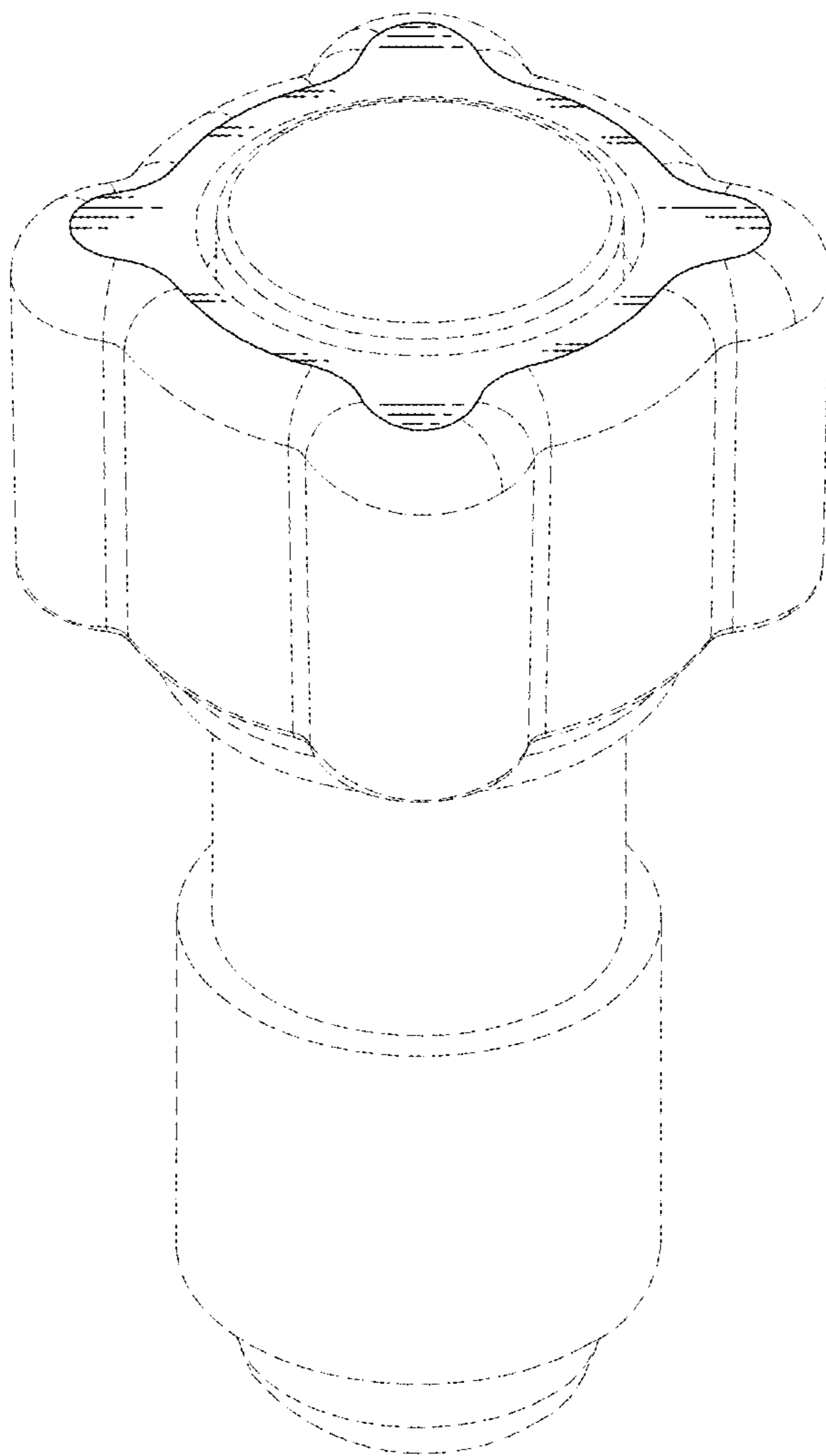


FIG.1

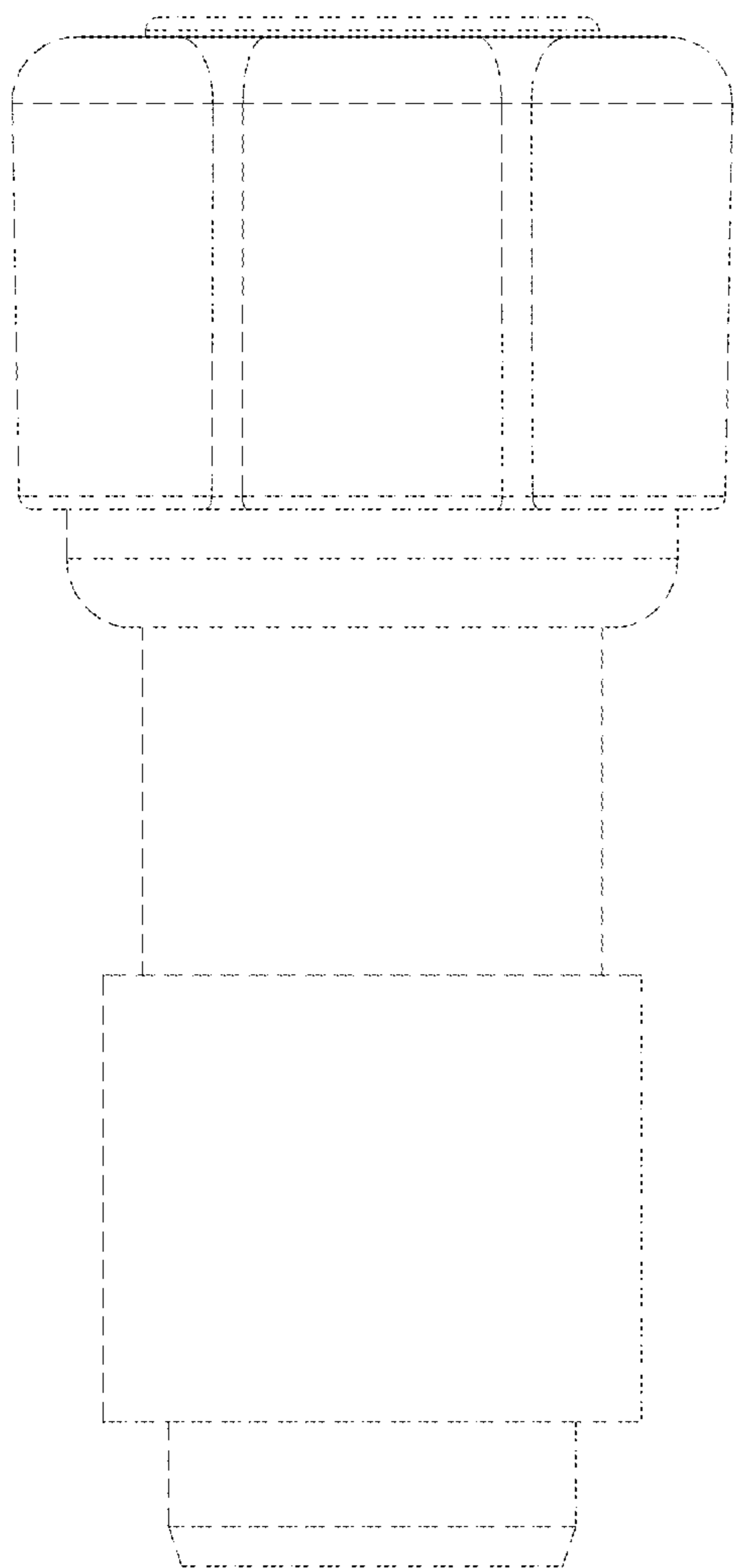


FIG.2

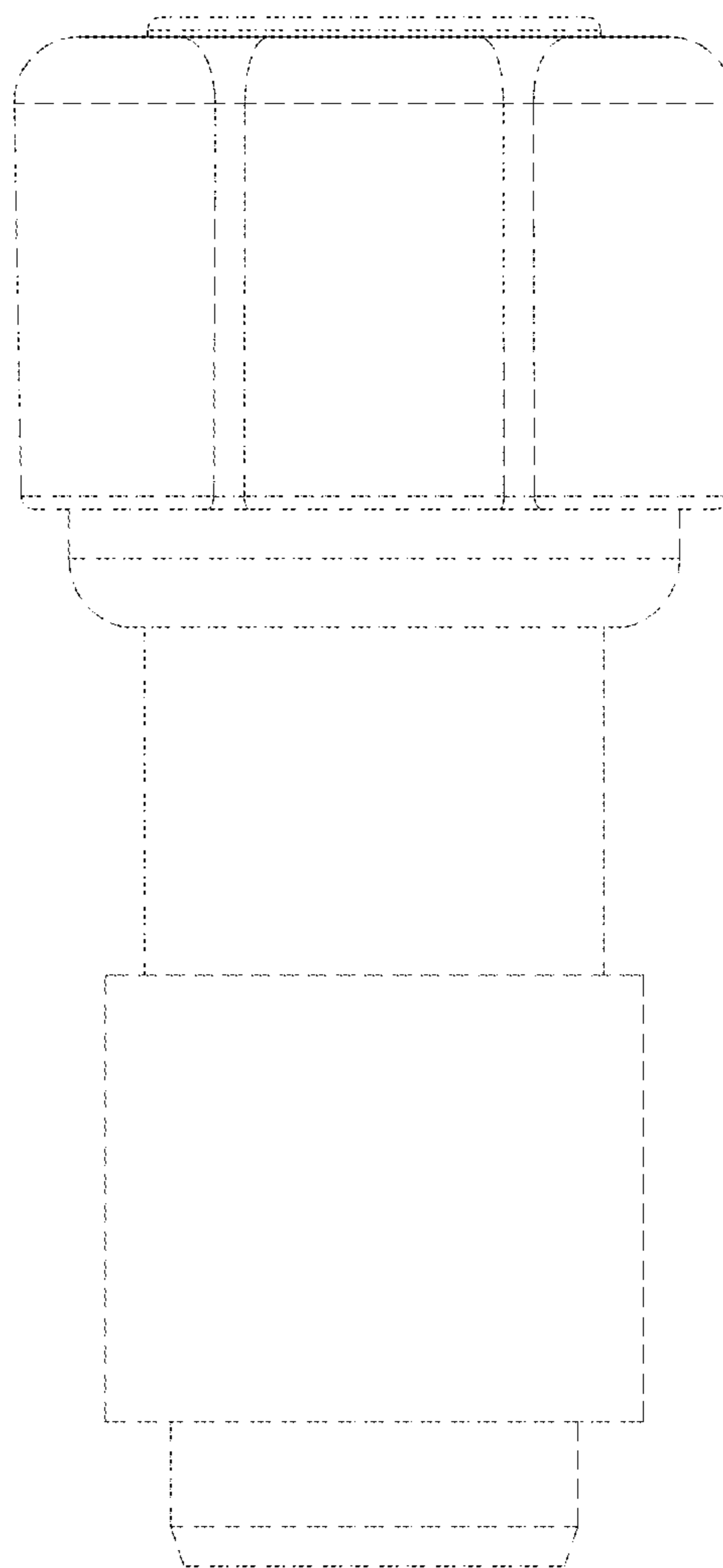


FIG.3

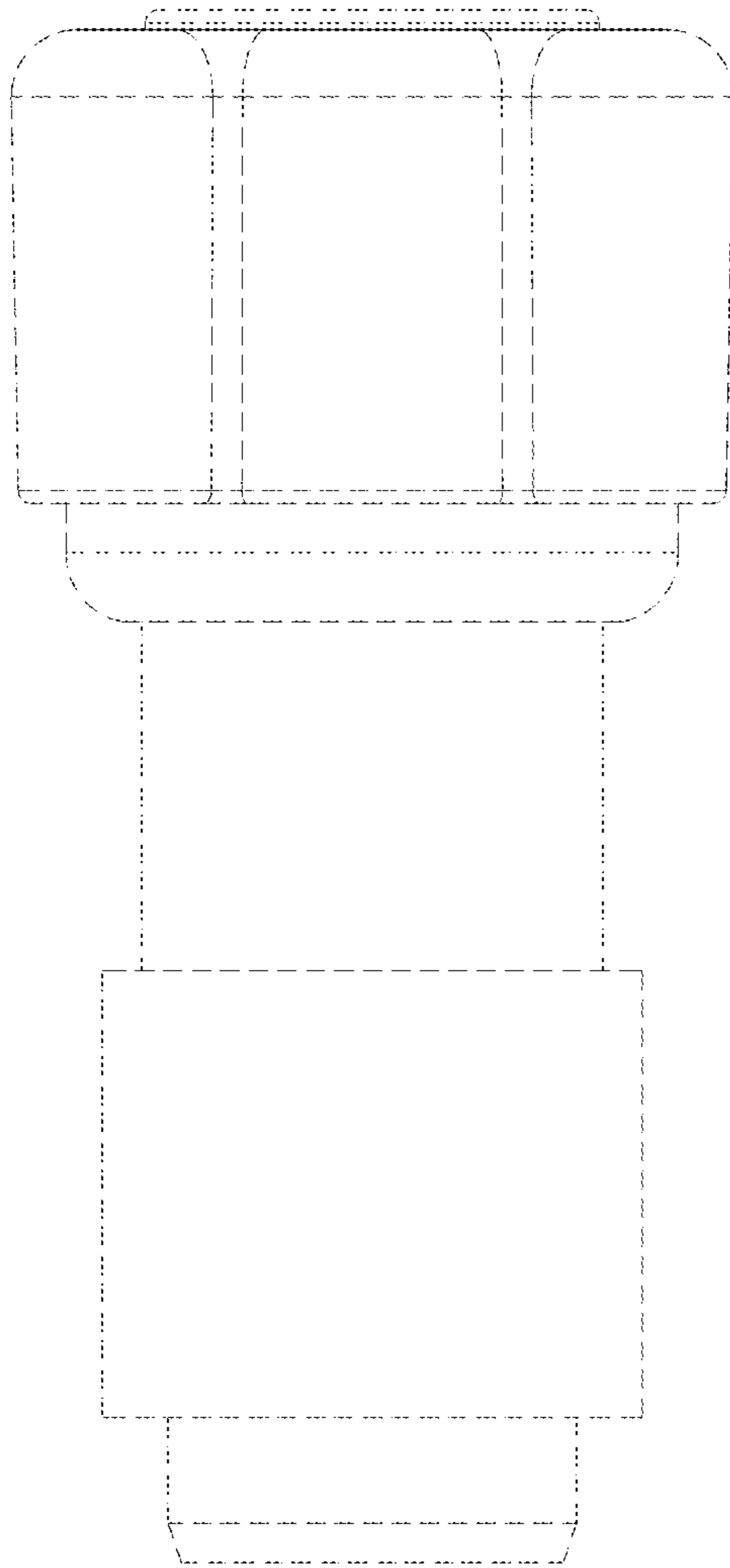


FIG.4

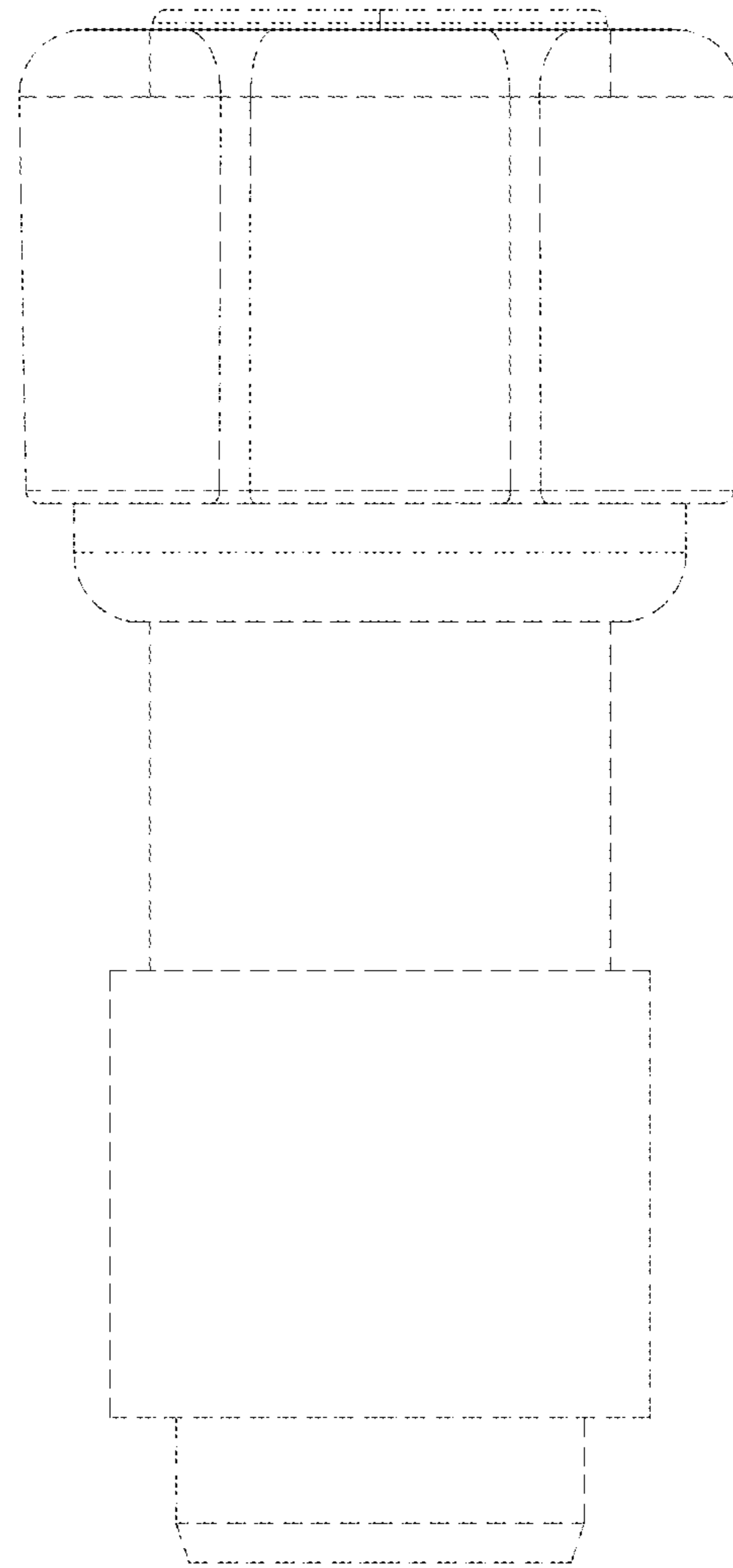


FIG.5

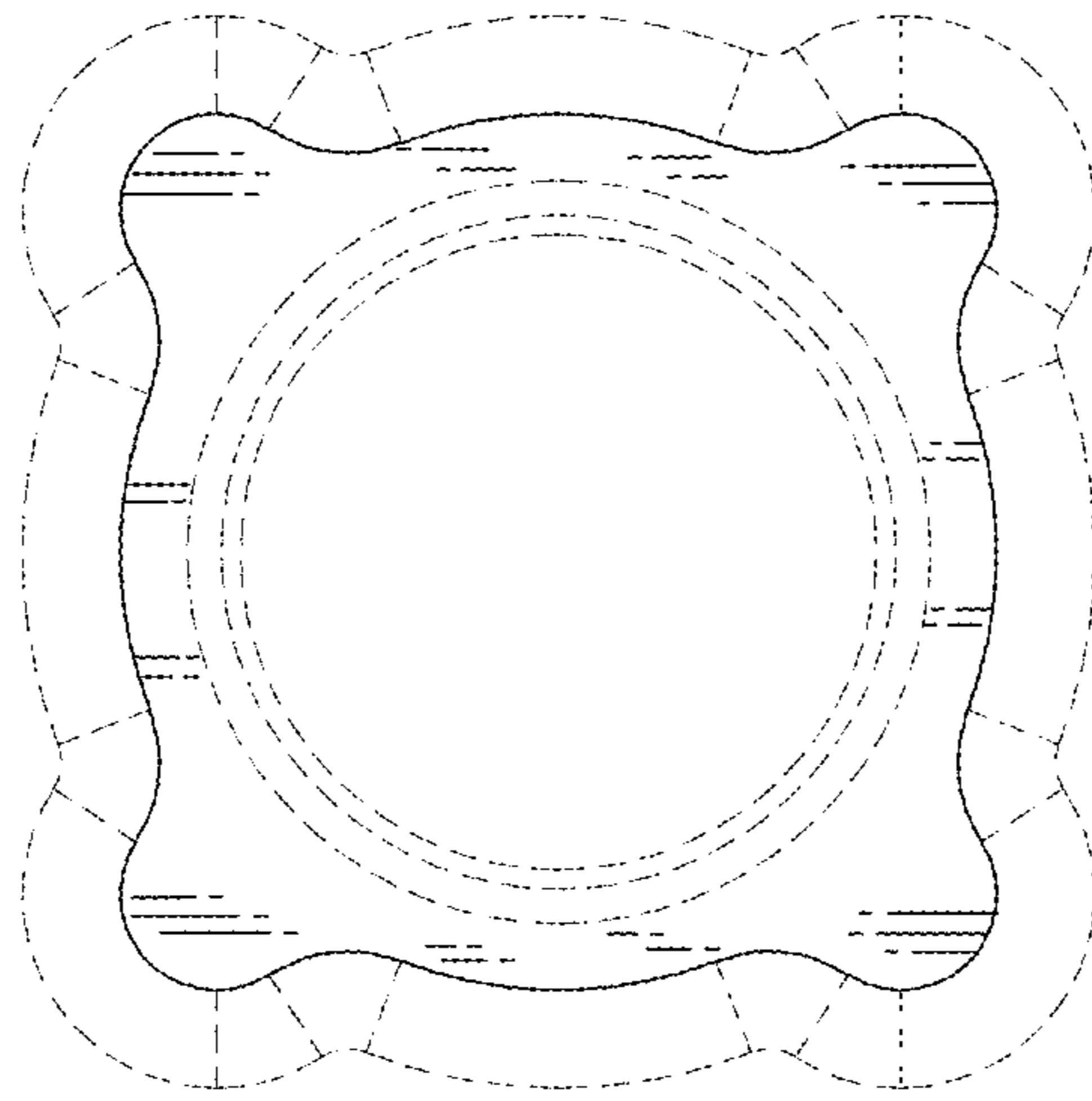


FIG. 6

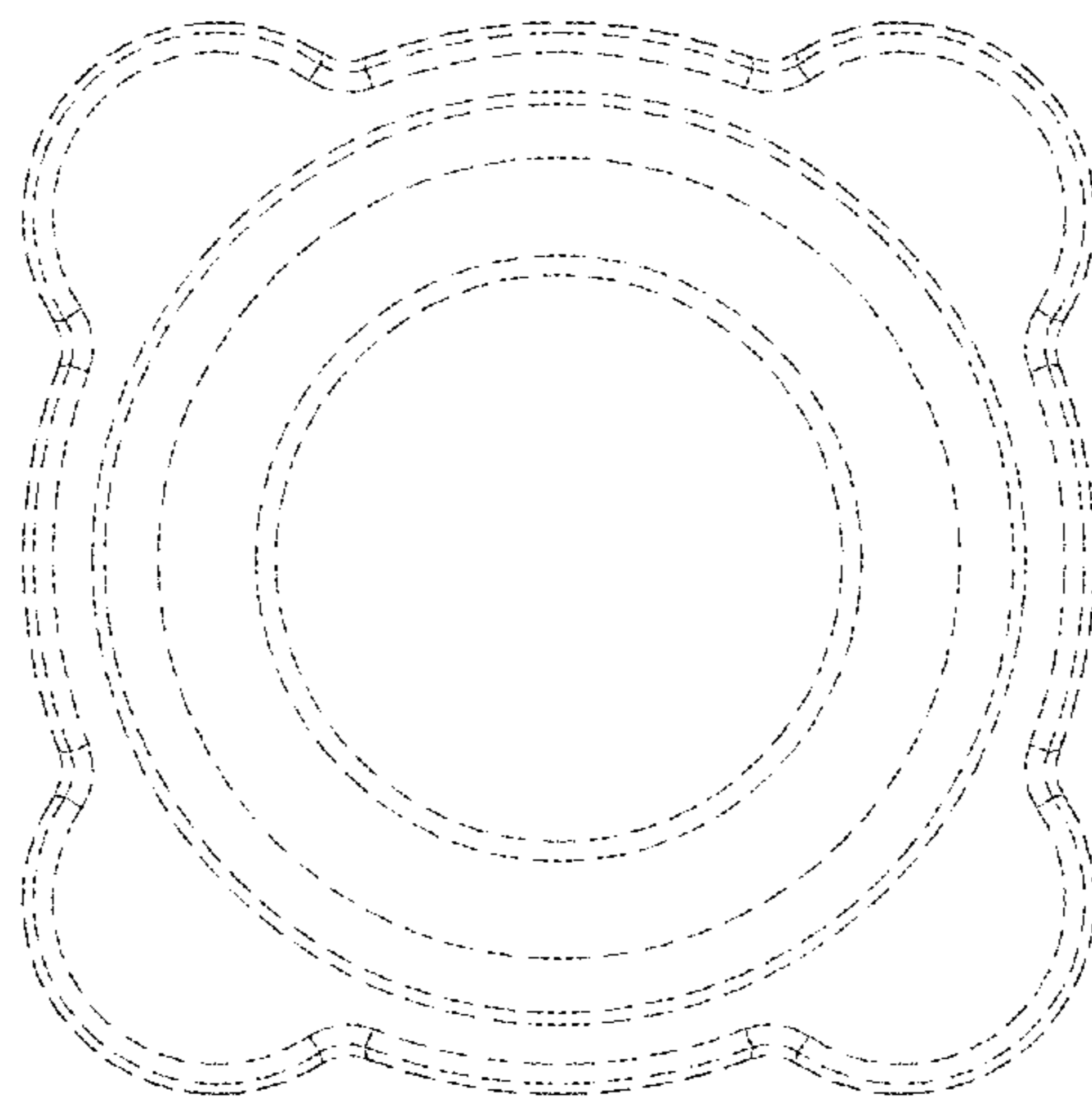


FIG. 7