



US00D947008S

(12) **United States Design Patent**
Escobar

(10) **Patent No.:** **US D947,008 S**

(45) **Date of Patent:** **** Mar. 29, 2022**

(54) **CLIMBING TOOL**

(71) Applicant: **Diego Escobar**, St. George, UT (US)

(72) Inventor: **Diego Escobar**, St. George, UT (US)

(**) Term: **15 Years**

(21) Appl. No.: **29/733,108**

(22) Filed: **Apr. 29, 2020**

(51) **LOC (13) Cl.** **09-06**

(52) **U.S. Cl.**
USPC **D8/356; D8/105**

(58) **Field of Classification Search**
USPC D8/367, 356, 354, 349, 105; 24/599.9
CPC B63B 21/045; F16B 45/02; A63B 27/02;
A63B 29/08
See application file for complete search history.

(56) **References Cited**

U.S. PATENT DOCUMENTS

D622,574 S *	8/2010	Garcia	D8/105
D726,517 S *	4/2015	Fischer	D8/17
D739,713 S *	9/2015	Kelleghan	D8/356
D799,300 S *	10/2017	Chang	D8/105
D807,725 S *	1/2018	Chalfant	D8/105
D833,240 S *	11/2018	Goldstein	D8/19
D848,813 S *	5/2019	Kelleghan	D8/105
D878,892 S *	3/2020	Kao	D8/105
D882,369 S *	4/2020	Adelman	D8/105
D887,811 S *	6/2020	Adelman	D8/105

D918,692 S *	5/2021	Adelman	D8/105
2014/0245576 A1 *	9/2014	Perner	F16B 45/02 24/600.1
2016/0167213 A1 *	6/2016	Adelman	B25B 13/08 7/138

* cited by examiner

Primary Examiner — Cynthia R Underwood

(74) *Attorney, Agent, or Firm* — David R. Conklin;
Kirton McConkie

(57) **CLAIM**

The ornamental design for a climbing tool, as shown and described.

DESCRIPTION

FIG. 1 is a front, left and top perspective view of a climbing tool, wherein the broken lines depict environments that form no part of the claim.

FIG. 2 is a front elevation view of the climbing tool of FIG. 1.

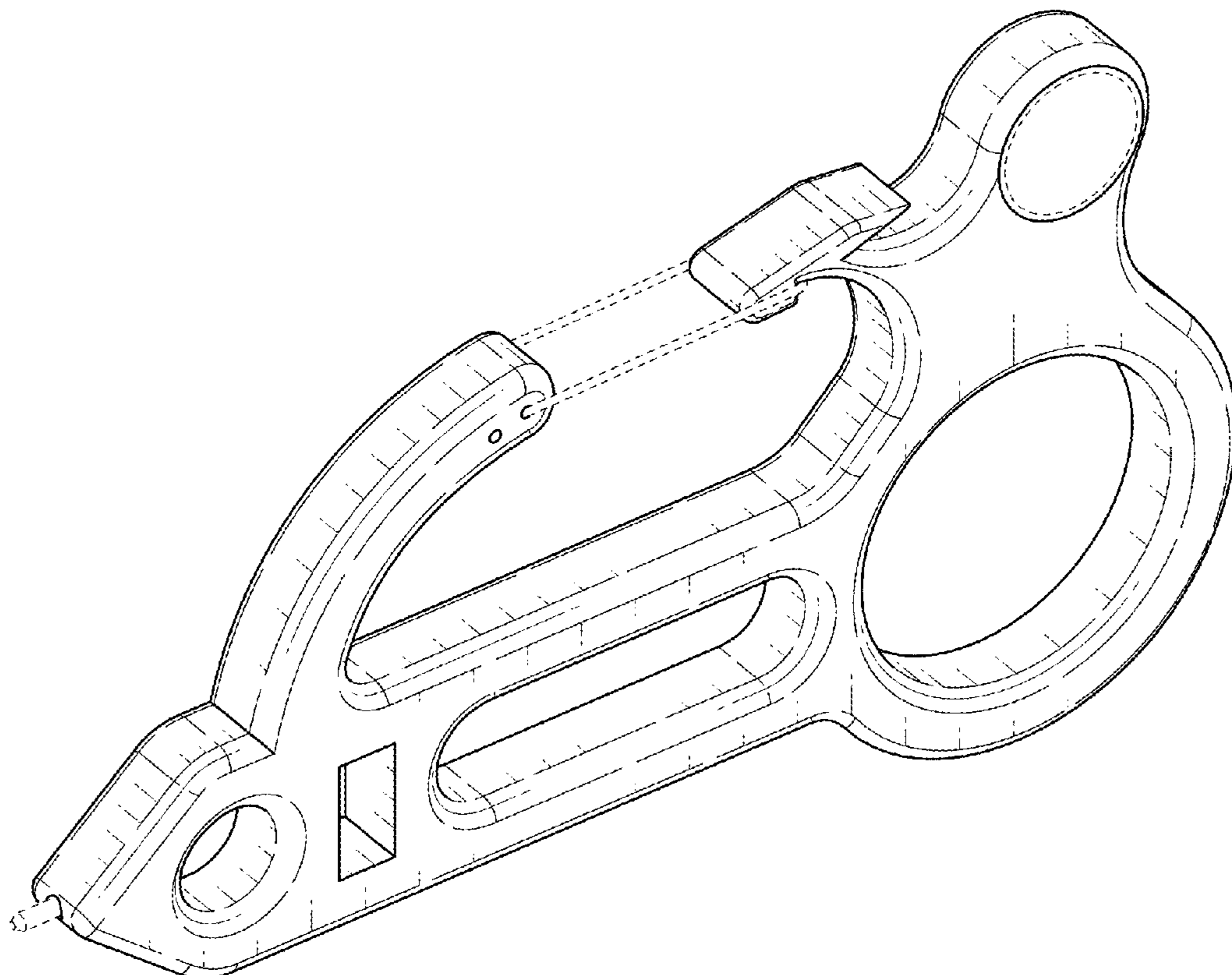
FIG. 3 is a rear elevation view of the climbing tool of FIG. 1.

FIG. 4 is a left elevation view of the climbing tool of FIG. 1.

FIG. 5 is right elevation view of the climbing tool of FIG. 1.

FIG. 6 is a top plan view of the climbing tool of FIG. 1; and, FIG. 7 is a bottom plan view of the climbing tool of FIG. 1.

1 Claim, 3 Drawing Sheets



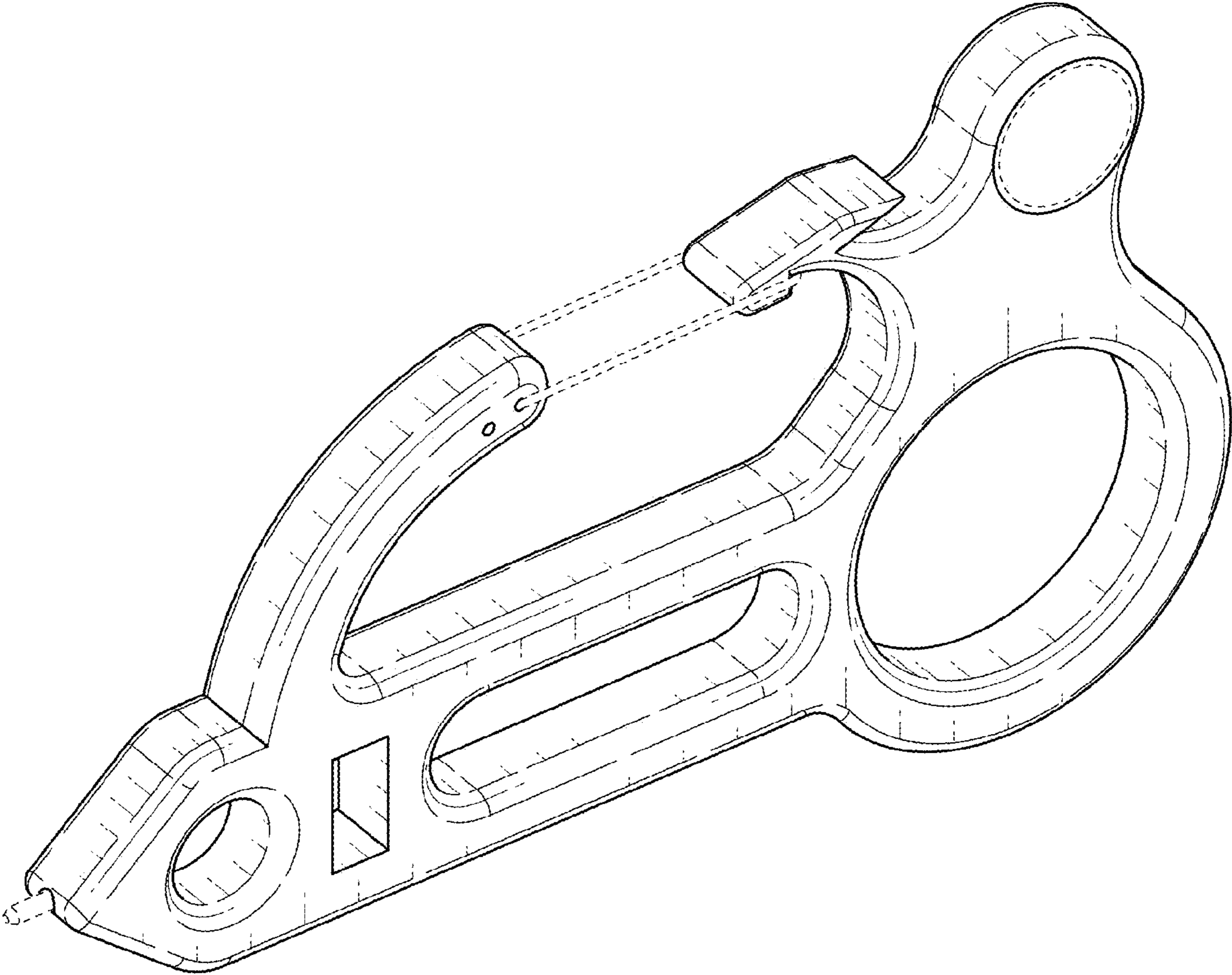


FIG. 1

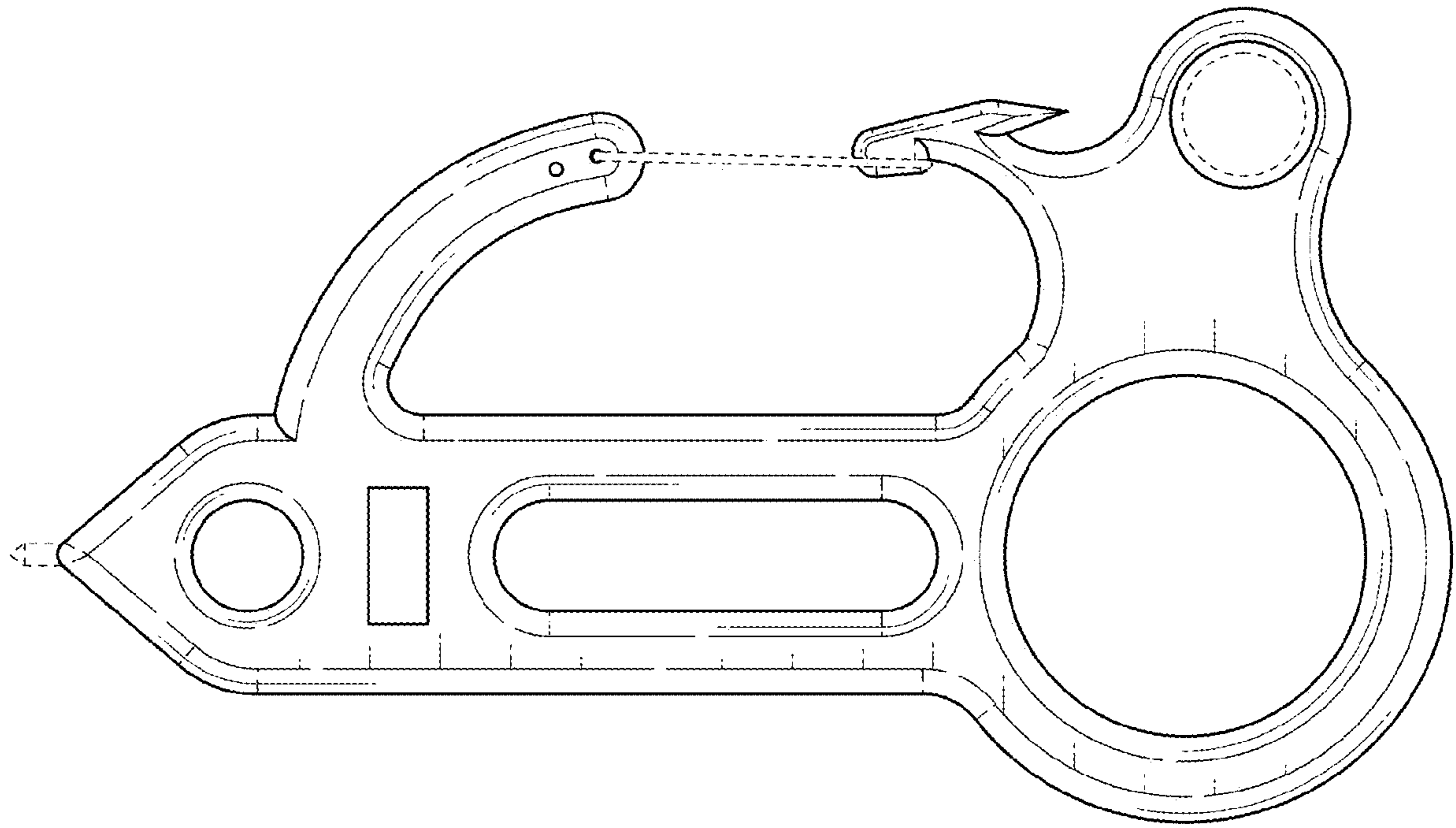


FIG. 2

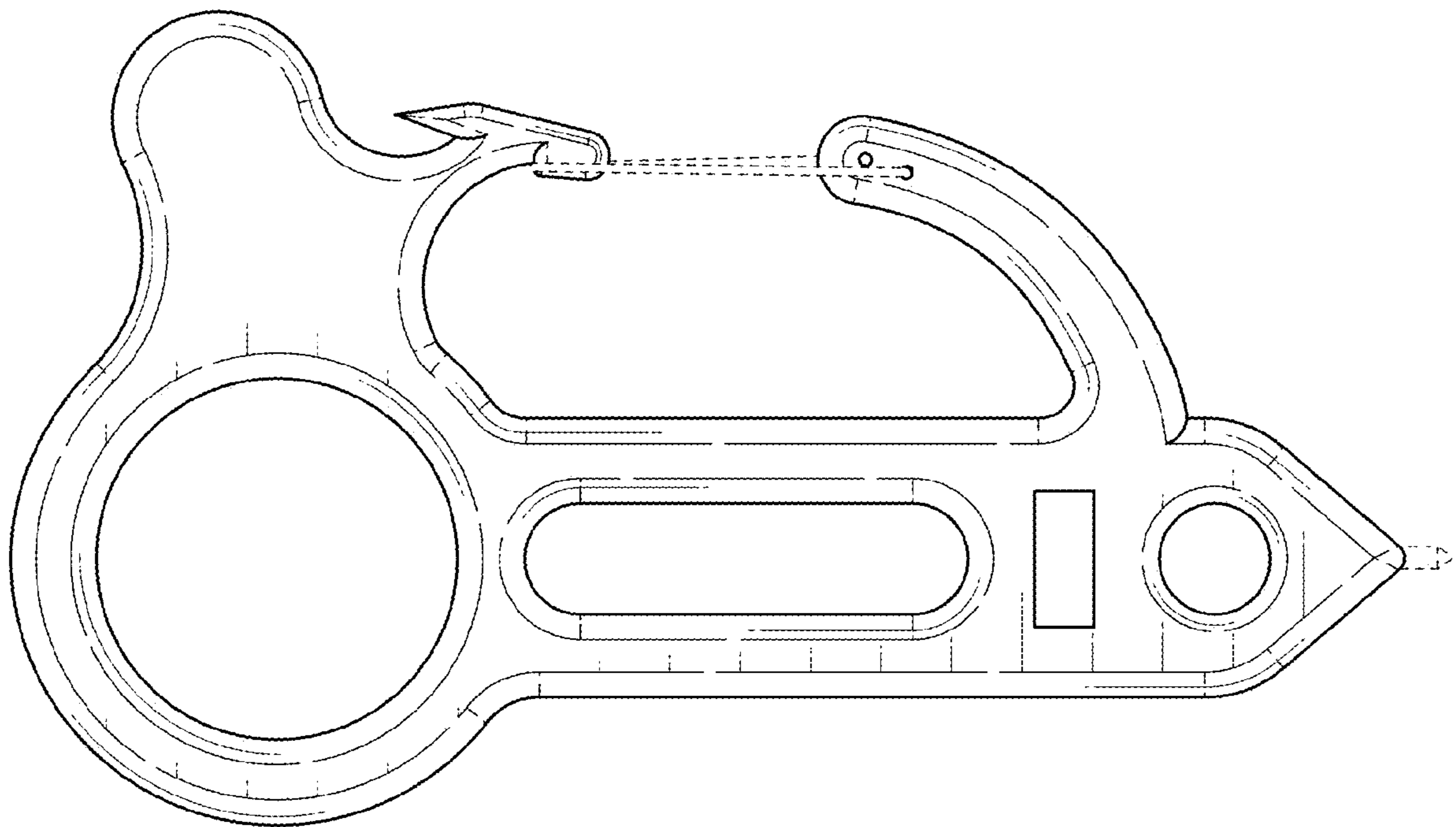


FIG. 3

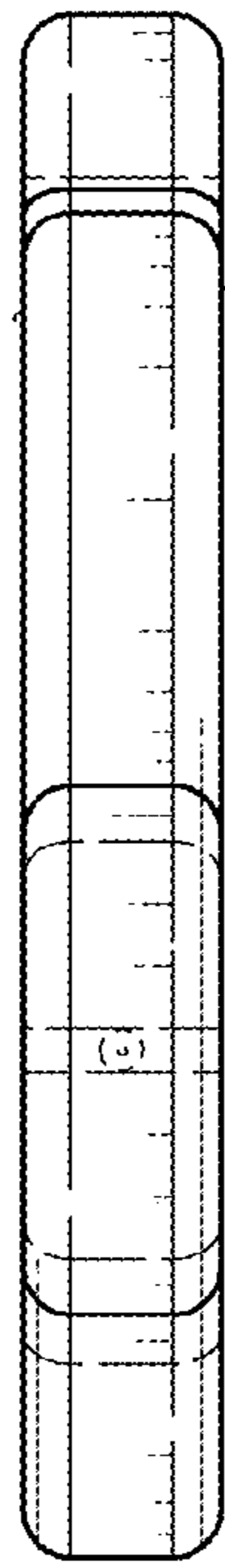


FIG. 4

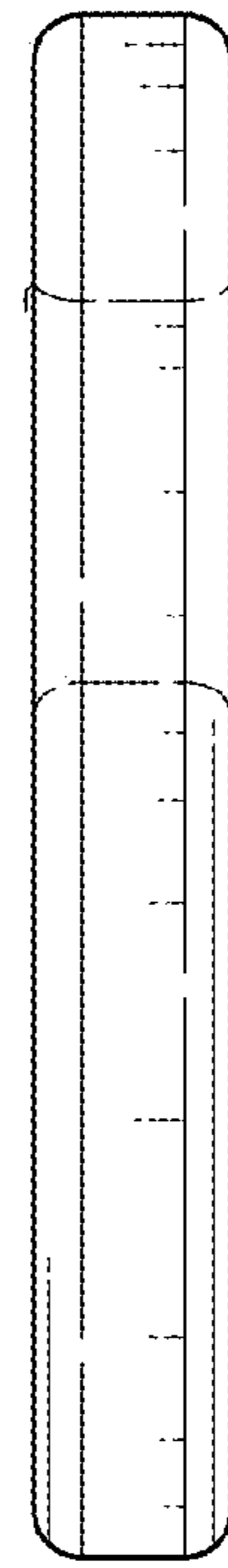


FIG. 5

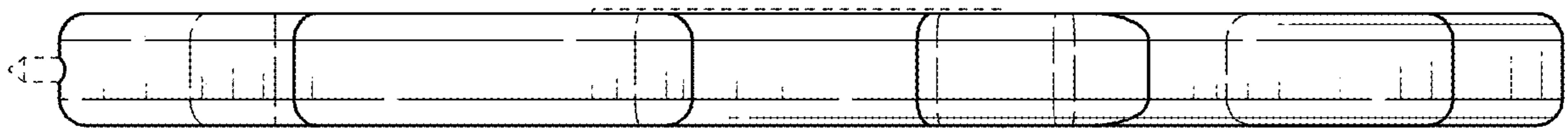


FIG. 6

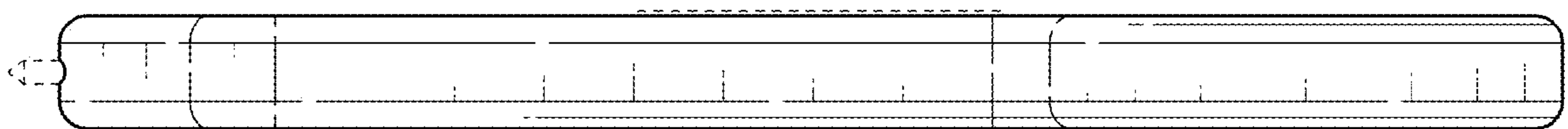


FIG. 7