

US00D947007S

(12) **United States Design Patent**
Kremerman

(10) **Patent No.:** **US D947,007 S**
(45) **Date of Patent:** **** Mar. 29, 2022**

(54) **BRACKET**

(71) Applicant: **Elliot Kremerman**, Los Gatos, CA
(US)

(72) Inventor: **Elliot Kremerman**, Los Gatos, CA
(US)

(**) Term: **15 Years**

(21) Appl. No.: **29/773,942**

(22) Filed: **Mar. 12, 2021**

Related U.S. Application Data

(63) Continuation-in-part of application No. 17/101,120,
filed on Nov. 23, 2020, now Pat. No. 11,084,009.

(51) **LOC (13) Cl.** **08-05**

(52) **U.S. Cl.**
USPC **D8/354**

(58) **Field of Classification Search**
USPC D8/51, 323, 327, 349, 354, 373,
D8/380-387, 394, 397, 398; D14/447,
D14/452, 451; D25/48.7, 119-121, 199
CPC B01F 35/92; H02K 7/1004; H02K 7/14;
F04D 13/0613
See application file for complete search history.

(56) **References Cited**

U.S. PATENT DOCUMENTS

7,264,212	B2 *	9/2007	Hung	F16M 11/10
					D14/452
D557,125	S *	12/2007	Worrall	D14/452
D557,126	S *	12/2007	Worrall	D14/452
D658,040	S *	4/2012	Ghatikar	D8/354
D691,148	S *	10/2013	Weatherby, III	D14/447
D715,622	S *	10/2014	Qu	D8/499
D721,573	S *	1/2015	Fievet	D8/382
D755,550	S *	5/2016	Sneve	D6/716

D762,970	S *	8/2016	Patulski	D3/215
D770,125	S *	11/2016	Patulski	D2/853
D770,169	S *	11/2016	Patulski	D3/215
D776,514	S *	1/2017	Schroeder	D8/354
D832,087	S *	10/2018	Fievet	D8/382
D875,504	S	2/2020	Schlüter		
D880,985	S	4/2020	Schlüter		
D889,941	S	7/2020	McCoy		
D900,980	S	11/2020	Newcomb		
D921,761	S *	6/2021	Gardner	D20/43
D927,502	S *	8/2021	Akana	D14/452
D941,362	S *	1/2022	Corcoran	D15/5
11,234,575	B2 *	2/2022	Enger	A47L 13/16
2008/0067298	A1 *	3/2008	Mossman	F16M 11/10
					248/125.9
2008/0185487	A1 *	8/2008	Beger	F16M 13/02
					248/220.21

(Continued)

Primary Examiner — Keli L Hill

Assistant Examiner — Harold E Blackwell, II

(74) *Attorney, Agent, or Firm* — Michael J. Feigin, Esq.;
Feigin and Fridman LLC

(57) **CLAIM**

The ornamental design for a bracket, as shown and described.

DESCRIPTION

FIG. 1 shows a top and side perspective view of a bracket. FIG. 2 shows a reverse bottom and side perspective view thereof.

FIG. 3 shows a top plan view thereof.

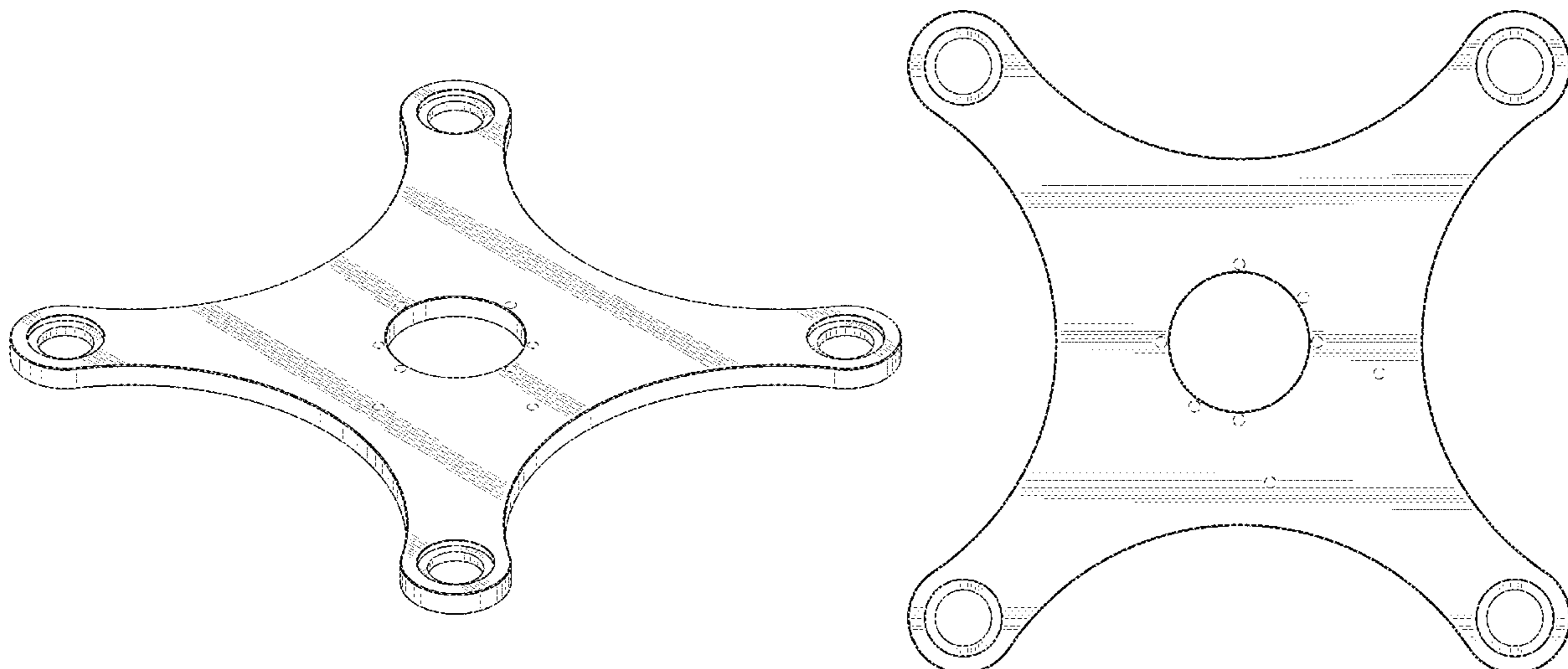
FIG. 4 shows a first side view, the reverse side being a mirror image thereof.

FIG. 5 shows a bottom plan view thereof; and,

FIG. 6 shows a second side view, the reverse side being a mirror image thereof.

The broken lines in the drawings illustrate portions of the bracket which form no part of the claimed design.

1 Claim, 4 Drawing Sheets



(56)

References Cited

U.S. PATENT DOCUMENTS

2016/0017596 A1* 1/2016 Ballesteros E06B 3/54
52/582.1
2021/0071671 A1* 3/2021 Kremerman F04D 13/024
2021/0190074 A1* 6/2021 Kremerman H02K 49/108

* cited by examiner

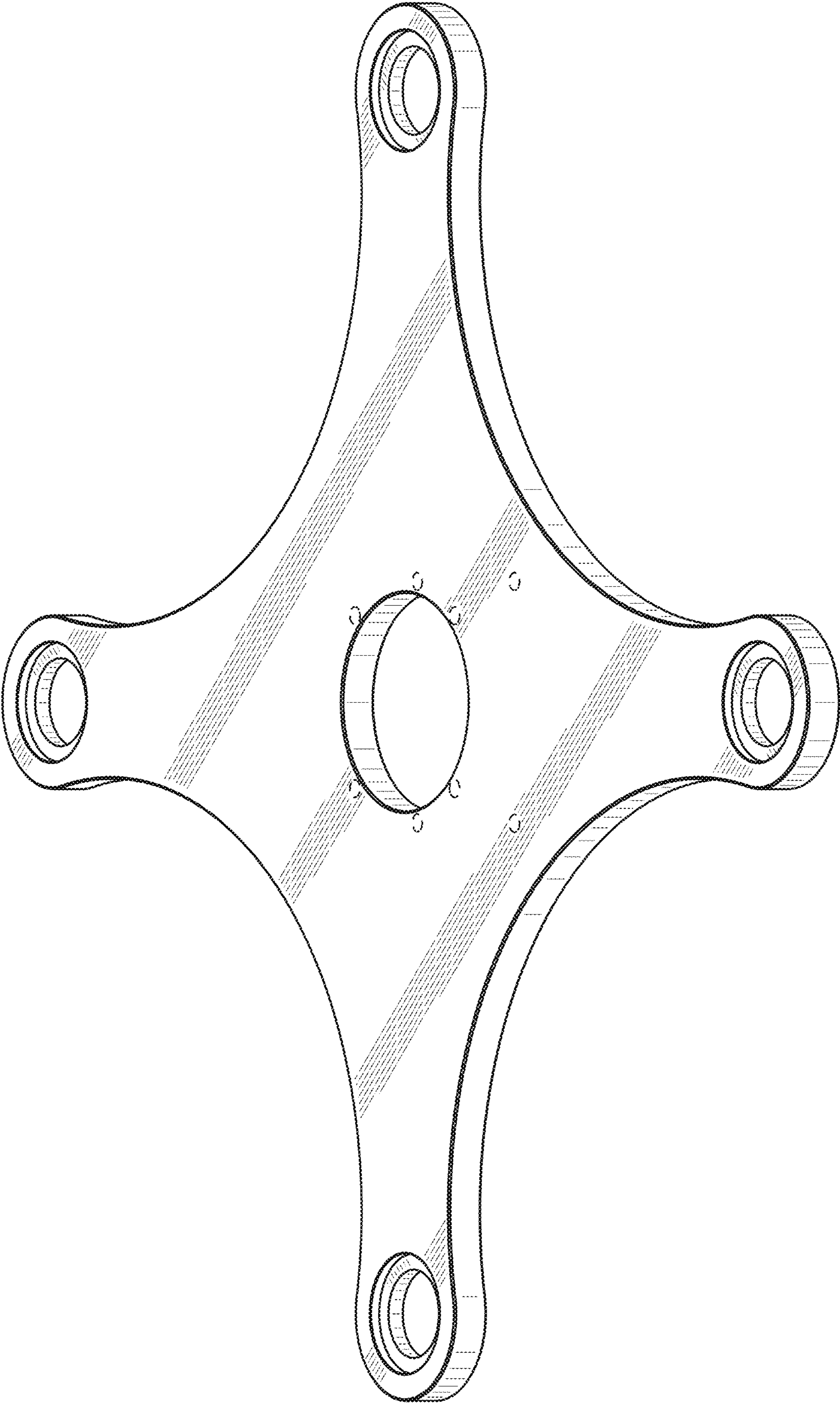


FIG. 1

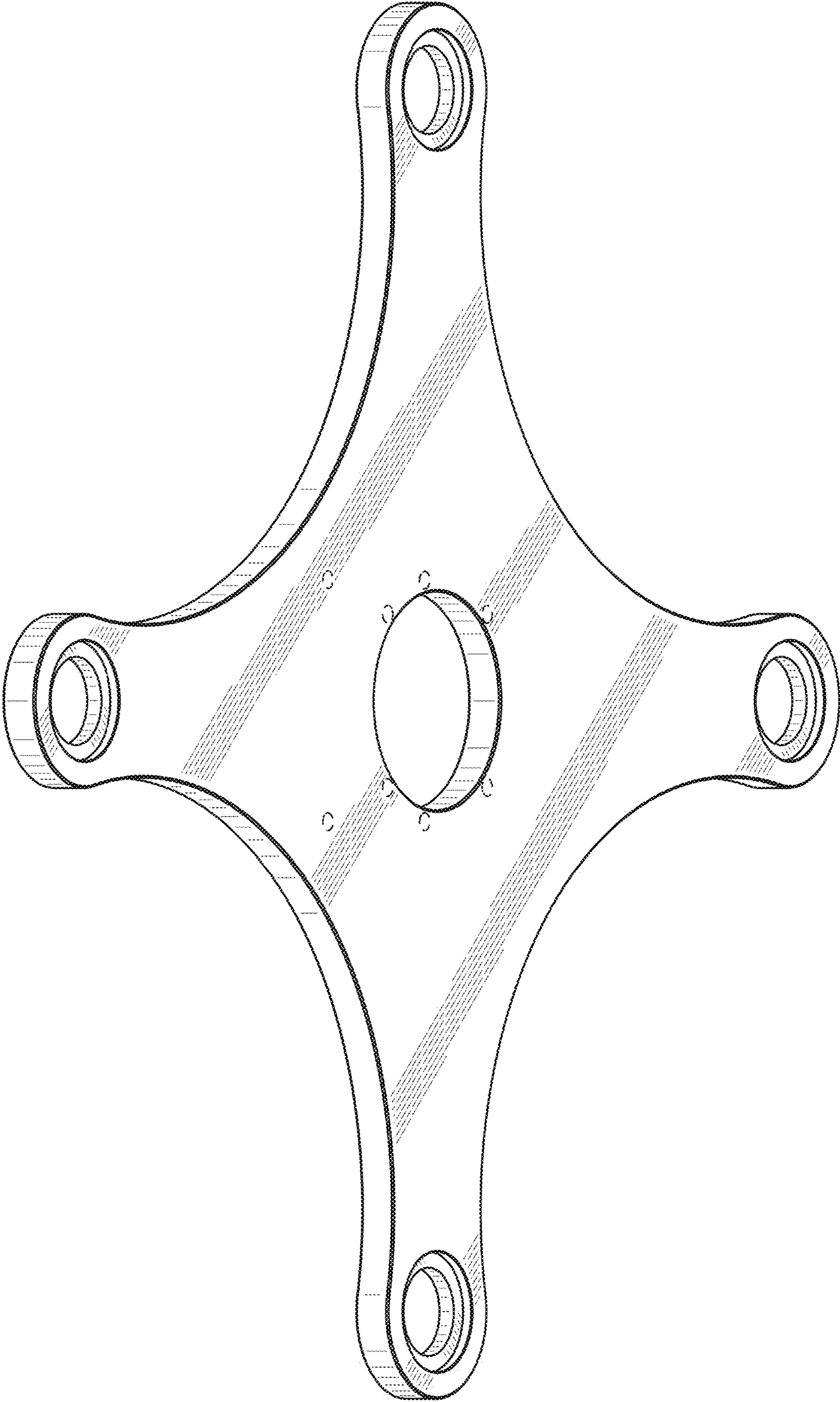


FIG. 2

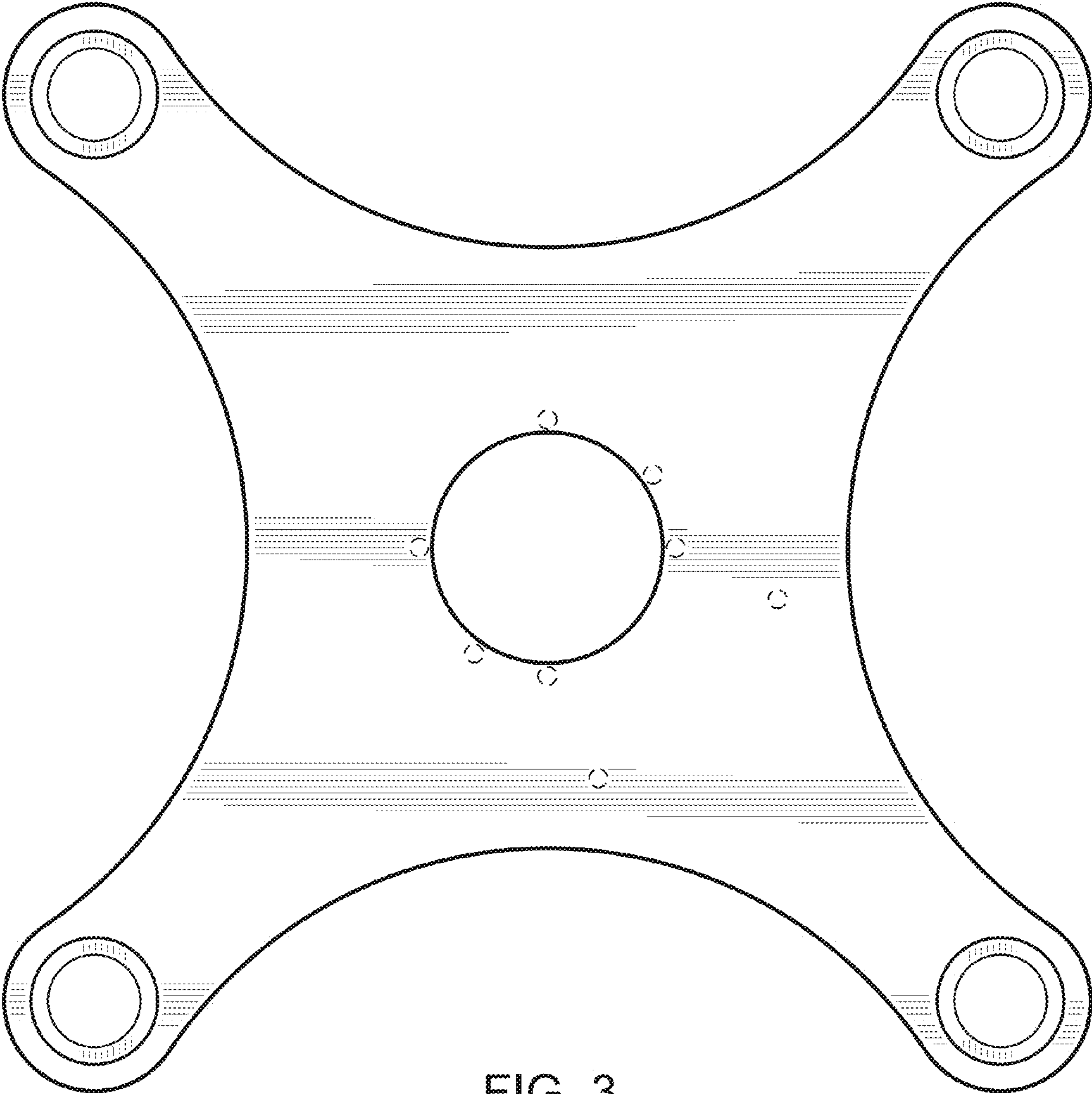


FIG. 3



FIG. 4

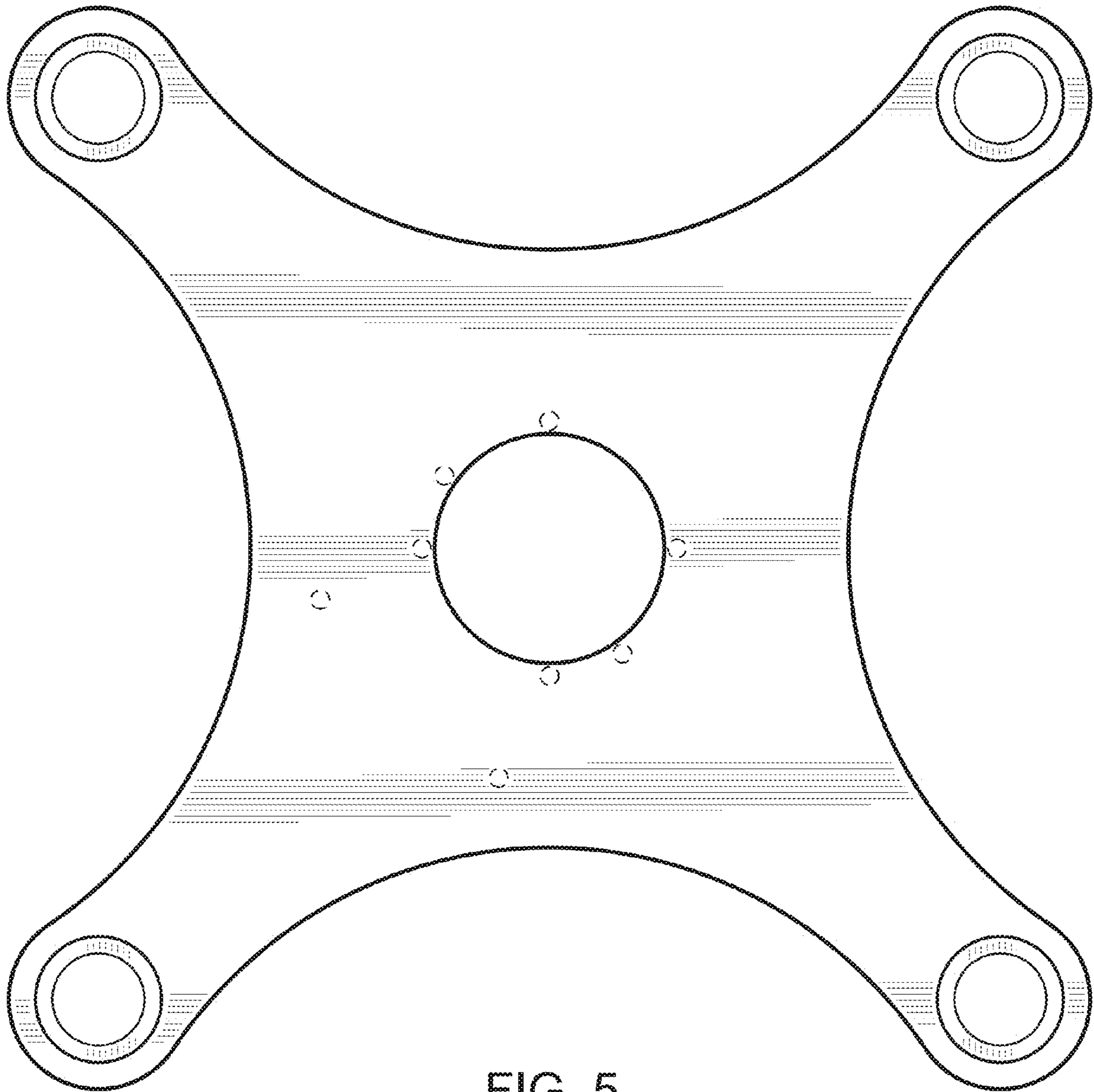


FIG. 5



FIG. 6