

US00D946998S

(12) **United States Design Patent**
Wang

(10) **Patent No.:** **US D946,998 S**
(45) **Date of Patent:** **** Mar. 29, 2022**

(54) **HANDLE**

(71) Applicant: **Ting-Jui Wang**, New Taipei (TW)

(72) Inventor: **Ting-Jui Wang**, New Taipei (TW)

(**) Term: **15 Years**

(21) Appl. No.: **29/754,575**

(22) Filed: **Oct. 13, 2020**

(51) **LOC (13) Cl.** **08-06**

(52) **U.S. Cl.**
USPC **D8/306**

(58) **Field of Classification Search**
USPC D8/300–302, 303, 305, 306, 307,
D8/315–319, 321, 322
CPC Y10T 16/515; Y10T 16/50; Y10T 16/513;
Y10T 16/4644; Y10T 16/44; Y10T
16/464; Y10T 16/4567; Y10T 16/516
See application file for complete search history.

(56) **References Cited**

U.S. PATENT DOCUMENTS

- 634,778 A * 10/1899 Tower A47B 95/02
16/419
- 766,124 A * 7/1904 Turner A47B 95/02
16/419
- 915,712 A * 3/1909 Campbell B65D 25/2841
16/445
- 1,040,596 A * 10/1912 Watrous E05B 1/0015
16/444
- 1,040,944 A * 10/1912 Hart et al. E05B 1/0015
16/444
- 1,094,820 A * 4/1914 Sargent A45C 13/26
16/408
- 1,312,135 A * 8/1919 Schaffer A63C 17/01
16/440
- 1,378,179 A * 5/1921 Luick G09F 3/18
40/651

- 1,407,884 A * 2/1922 Ohnstrand E05B 65/46
292/185
- 1,705,071 A * 3/1929 Sheehan A47J 45/062
16/445
- 2,248,328 A * 7/1941 Bechik A47C 31/08
16/444
- 2,327,138 A * 8/1943 Shatkin A47J 45/062
16/444
- 2,373,917 A * 4/1945 Ross A47J 41/0083
215/228
- 2,715,243 A * 8/1955 Koll E05B 1/0015
16/445
- D200,762 S * 4/1965 Sanders D8/311
- D214,778 S * 7/1969 Solie D8/306
- D246,422 S * 11/1977 Clayton D8/307
- D270,159 S * 8/1983 Hanyu D15/72
- 5,012,553 A * 5/1991 Hardigg B65D 25/2841
16/445
- D715,619 S * 10/2014 Fritz D8/306
- 2003/0101541 A1 * 6/2003 Willems E05B 1/0015
16/444

* cited by examiner

Primary Examiner — Lauren R Calve

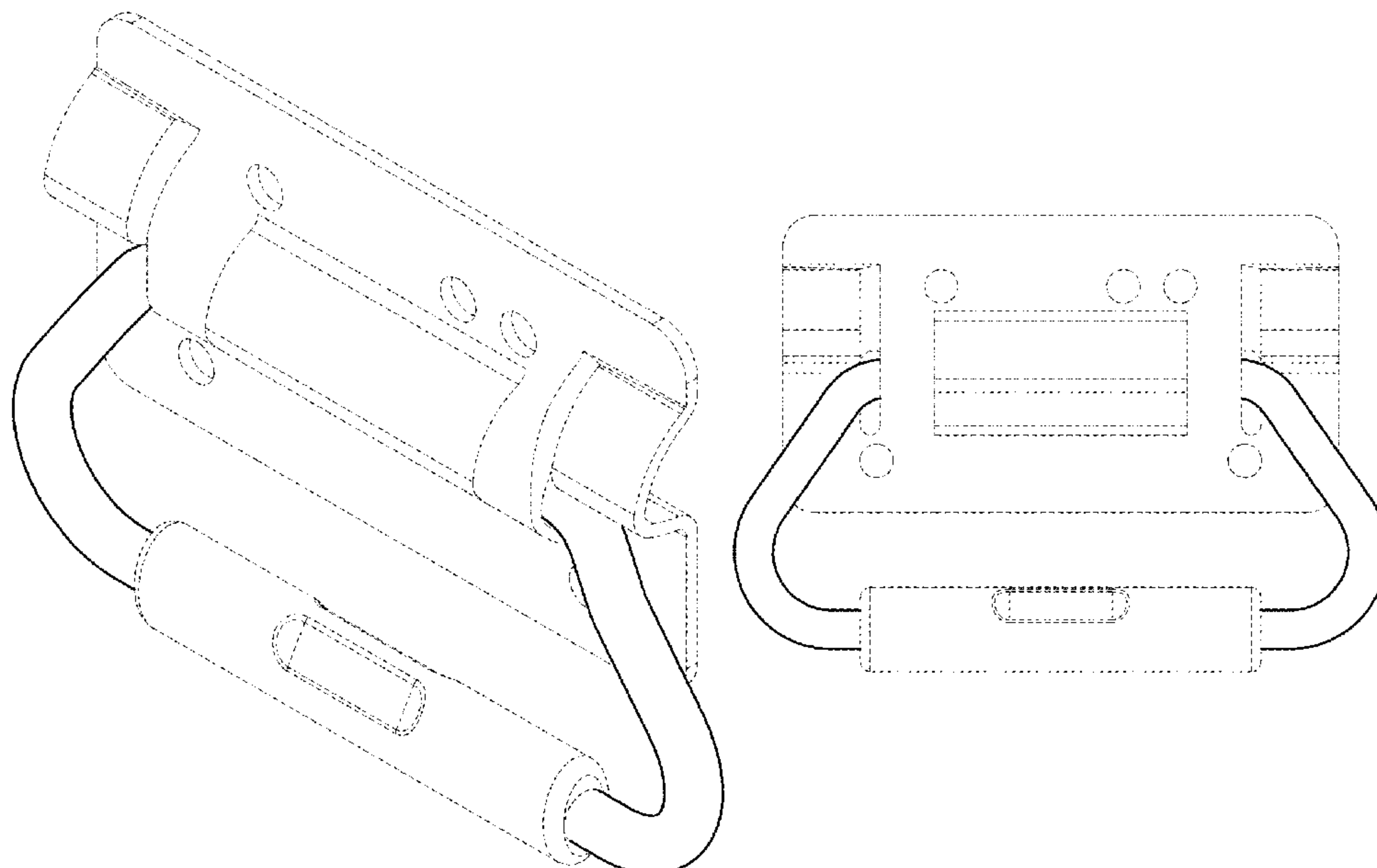
(57) **CLAIM**

The ornamental design for a handle, as shown and described.

DESCRIPTION

FIG. 1 is a perspective view of a handle showing my new design;
FIG. 2 is a front elevation view thereof;
FIG. 3 is a rear elevation view thereof;
FIG. 4 is a left side elevation view thereof;
FIG. 5 is a right side elevation view thereof;
FIG. 6 is a top plan view thereof; and,
FIG. 7 is a bottom plan view thereof.
The broken lines in the drawings illustrate portions of the handle and form no part of the claimed design.

1 Claim, 4 Drawing Sheets



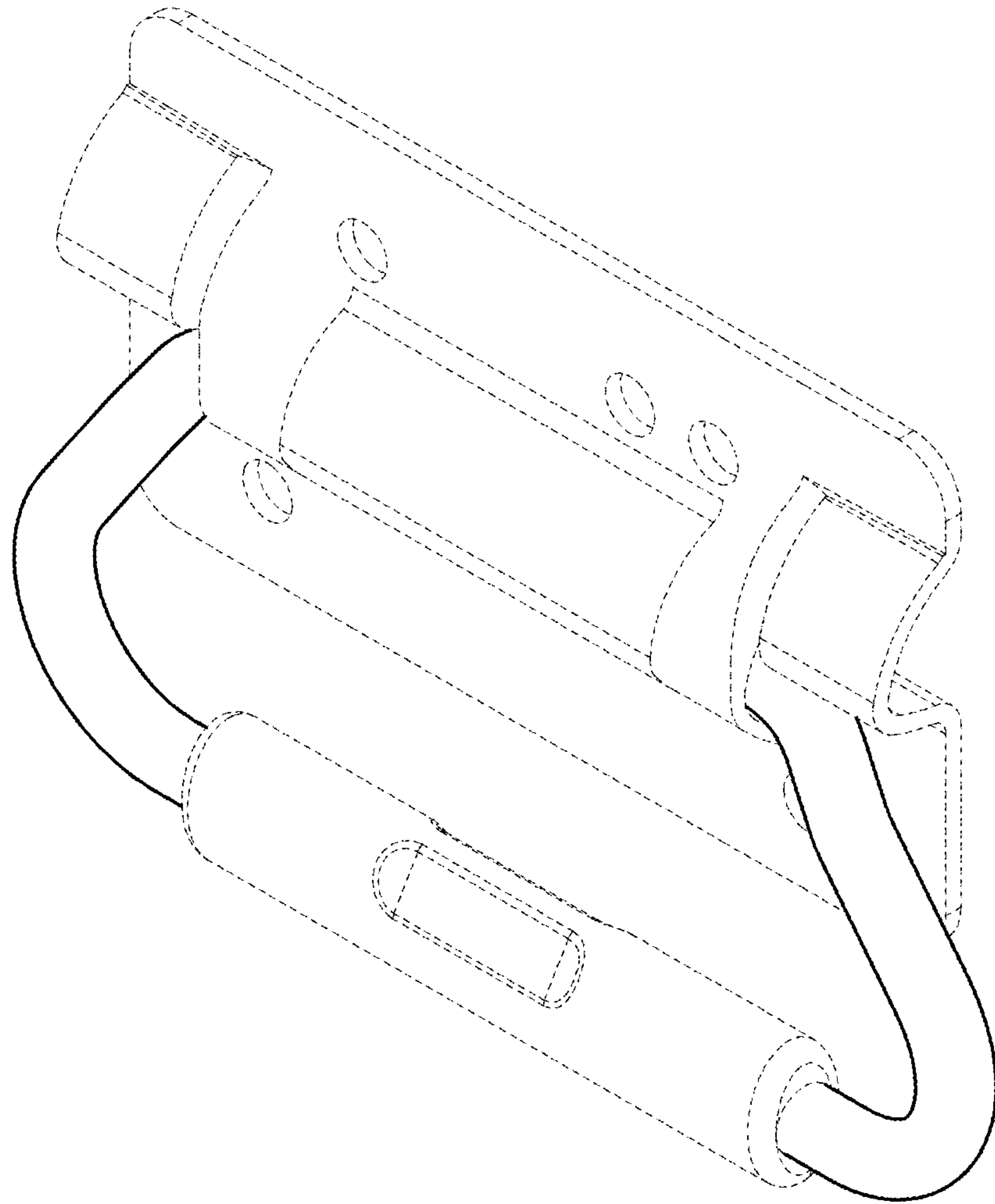


FIG. 1

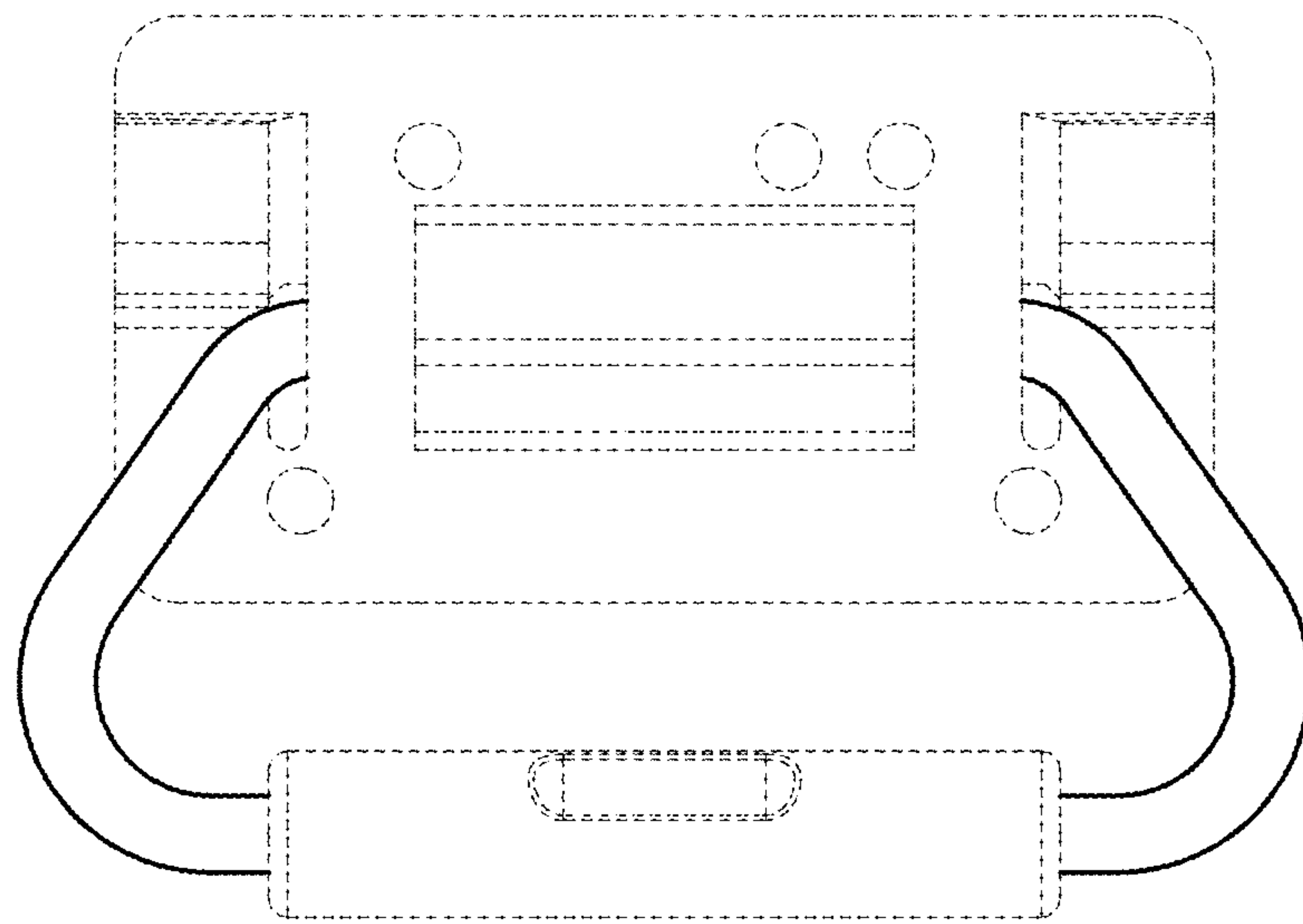


FIG. 2

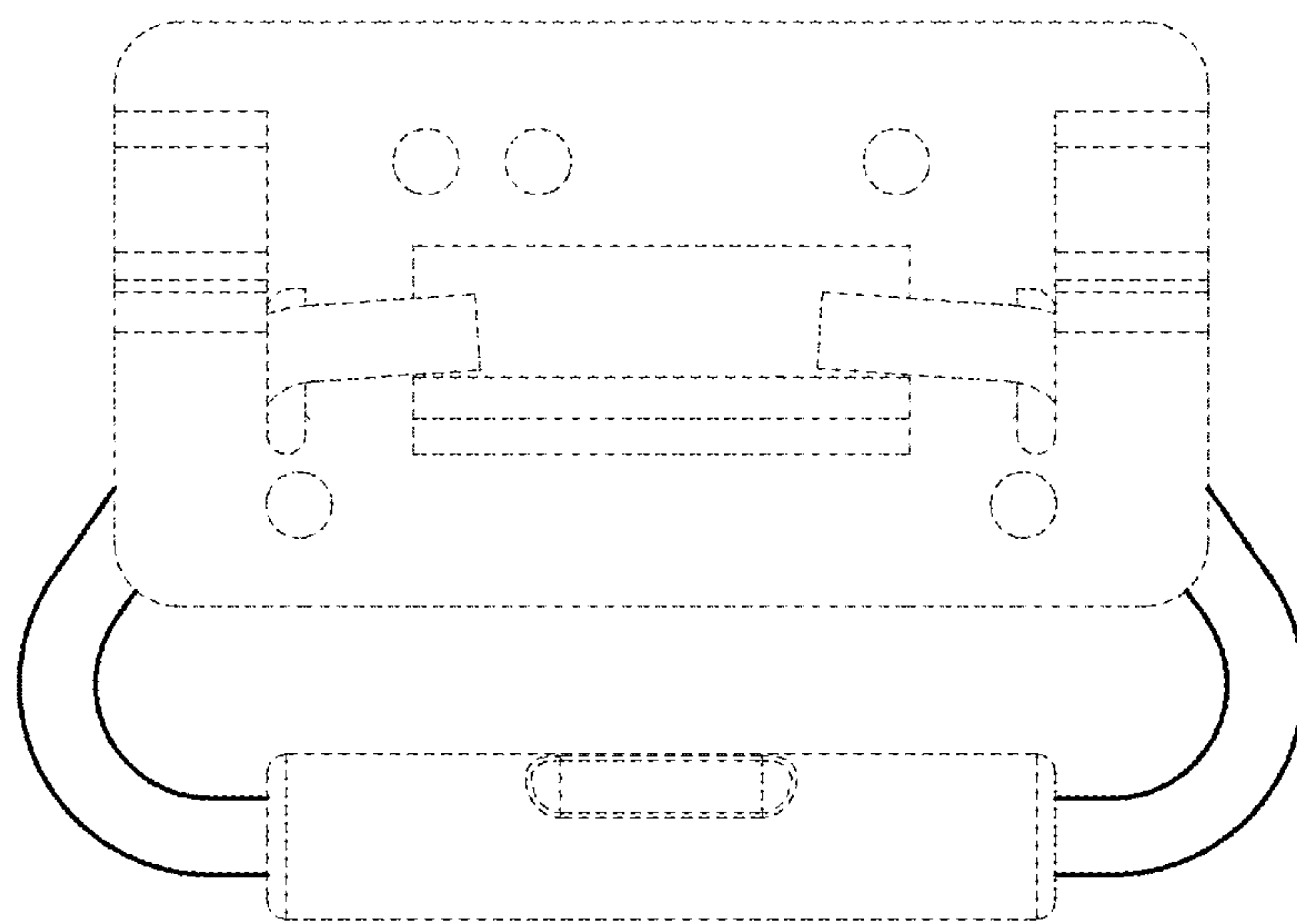


FIG. 3



FIG. 4

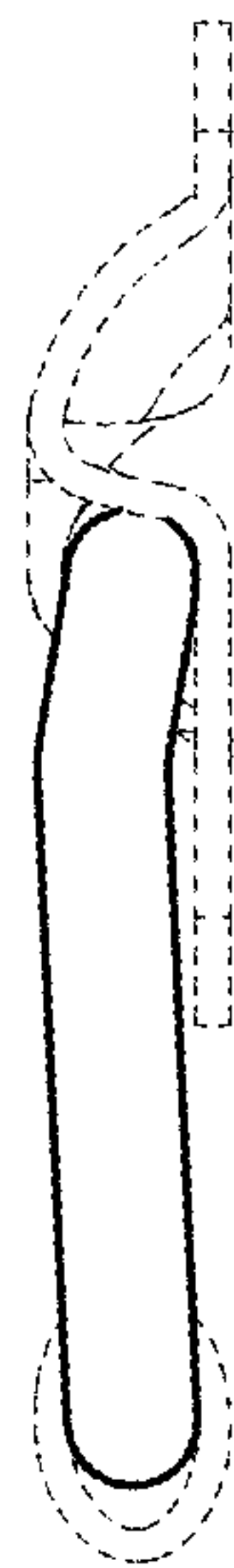


FIG. 5

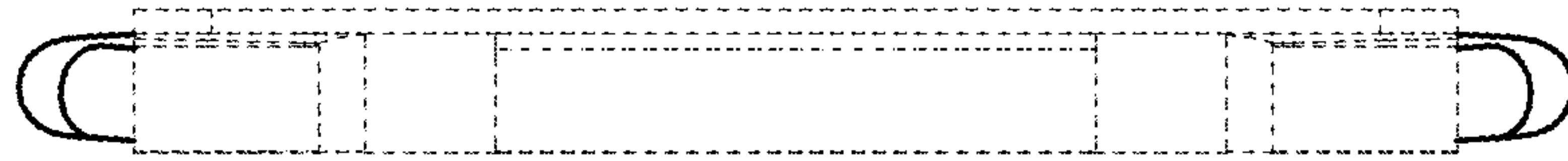


FIG. 6

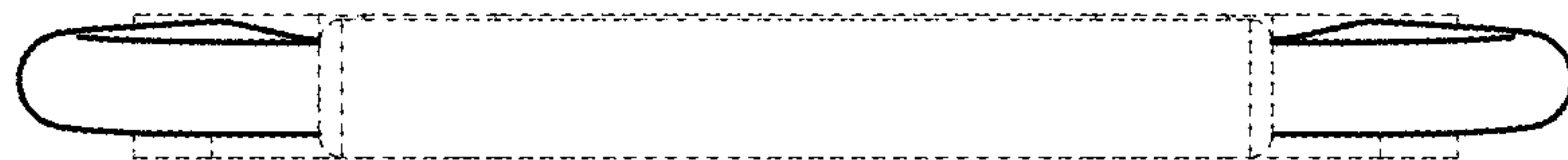


FIG. 7