



US00D946995S

(12) **United States Design Patent** (10) **Patent No.:** **US D946,995 S**
Levand et al. (45) **Date of Patent:** **** *Mar. 29, 2022**

- (54) **MULTI-TOOL WITH BIT SLOT**
- (71) Applicant: **THE SHERWIN-WILLIAMS COMPANY**, Cleveland, OH (US)
- (72) Inventors: **Victor J. Levand**, Lyndhurst, OH (US); **Sharad Gaurav**, Cleveland, OH (US); **Sarah Bridget Mulroy**, Rocky River, OH (US); **Joshua R. Robertson**, North Ridgeville, OH (US); **Edward Ray Goodwin**, Westlake, OH (US); **Randi Boss**, Avon Lake, OH (US); **Michael C. Lambertson, Jr.**, Aurora, OH (US)
- (73) Assignee: **The Sherwin-Williams Company**, Cleveland, OH (US)
- (*) Notice: This patent is subject to a terminal disclaimer.
- (**) Term: **15 Years**
- (21) Appl. No.: **29/772,850**
- (22) Filed: **Mar. 4, 2021**

Related U.S. Application Data

- (63) Continuation of application No. 29/758,250, filed on Nov. 13, 2020, which is a continuation of application No. 29/705,502, filed on Sep. 12, 2019, now Pat. No. Des. 904,852, which is a continuation of application No. 29/659,953, filed on Aug. 14, 2018, now Pat. No. Des. 864,693, which is a continuation of application (Continued)
- (51) **LOC (13) Cl.** **08-05**
- (52) **U.S. Cl.**
USPC **D8/107**
- (58) **Field of Classification Search**
USPC D8/45, 107, 14, 82, 83; D4/138; D7/395; D32/46, 49, 52
CPC B25G 1/105; B25G 1/102; B25G 1/125; B25F 1/00; Y10T 16/44; Y10T 16/498
See application file for complete search history.

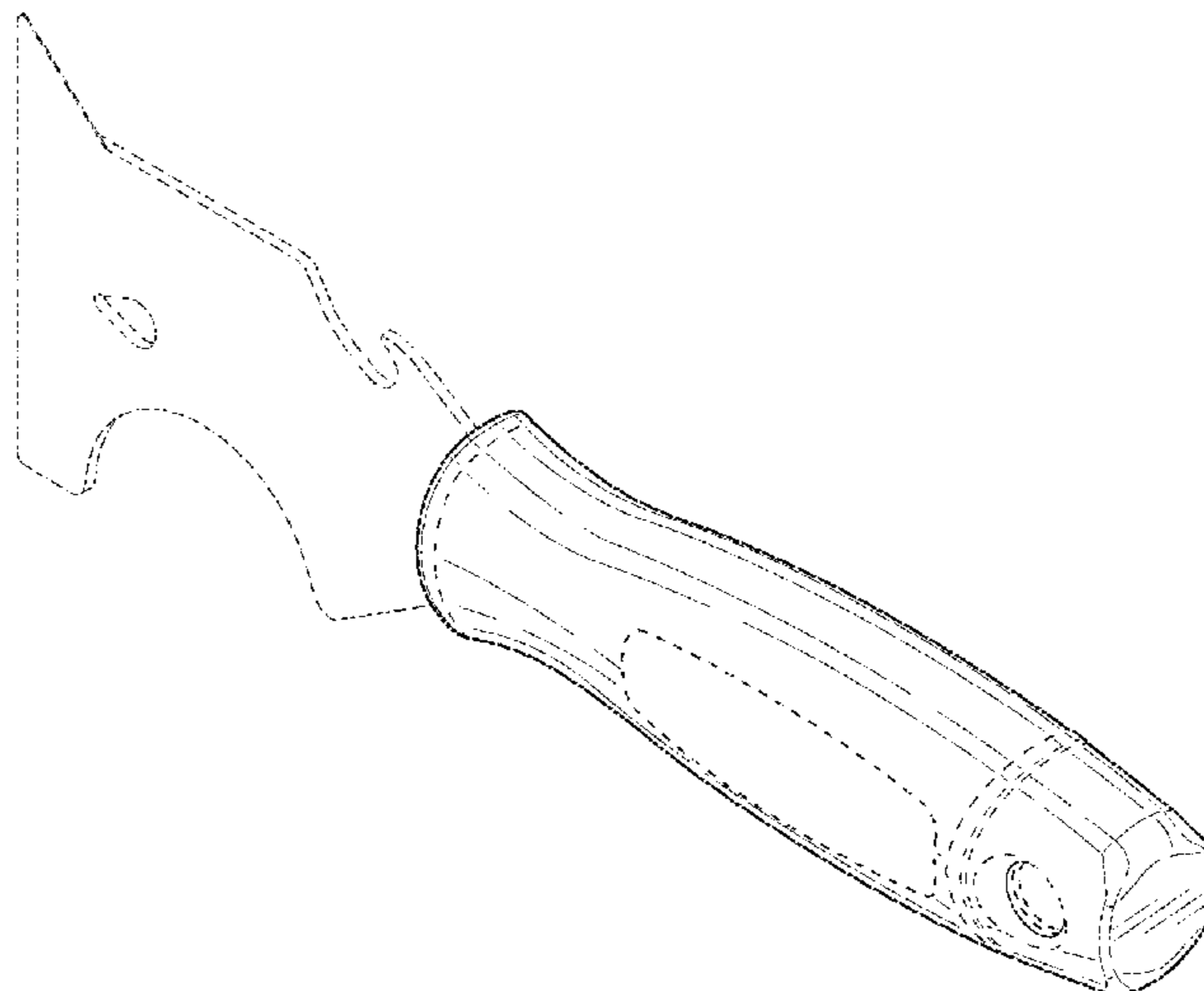
- (56) **References Cited**
- U.S. PATENT DOCUMENTS
- 2,615,247 A 10/1952 Waters
- 4,620,369 A 11/1986 Gercken
- (Continued)
- FOREIGN PATENT DOCUMENTS
- CN 1280532 A 1/2001
- CN 2759727 Y 2/2006
- (Continued)
- Primary Examiner* — Philip S Hyder
- (74) *Attorney, Agent, or Firm* — Tucker Ellis LLP

(57) **CLAIM**
The ornamental design for a multi-tool with bit slot, as shown and described.

DESCRIPTION

FIG. 1 is a top front perspective view of an embodiment of a multi-tool with bit slot showing a new design; FIG. 2 is a top rear perspective view of the multi-tool as illustrated in FIG. 1; FIG. 3 is a bottom rear perspective view of the multi-tool as illustrated in FIG. 1; FIG. 4 is a top view of the multi-tool illustrated in FIG. 1; FIG. 5 is a bottom view of the multi-tool illustrated in FIG. 1; FIG. 6 is a front view of the multi-tool illustrated in FIG. 1; FIG. 7 is a rear view of the multi-tool illustrated in FIG. 1; FIG. 8 is a left side view of the multi-tool illustrated in FIG. 1; and, FIG. 9 is a right side view of the multi-tool illustrated in FIG. 1. The broken lines depict portions of the multi-tool with bit slot in which the design is embodied that are not considered part of the claimed design.

1 Claim, 5 Drawing Sheets



Related U.S. Application Data

No. 29/591,135, filed on Jan. 17, 2017, now Pat. No. Des. 828,740.

(56)

References Cited

U.S. PATENT DOCUMENTS

5,155,913 A 10/1992 Marttiini
 5,210,925 A 5/1993 Morgulis
 5,251,352 A 10/1993 Cullison
 5,528,834 A 6/1996 Seber et al.
 5,546,625 A 8/1996 Mealey, Sr.
 5,575,030 A 11/1996 Girard
 5,615,445 A 4/1997 Kelsay et al.
 D386,857 S 11/1997 Lawrence
 D388,671 S 1/1998 Suganami
 5,870,786 A 2/1999 Papadopoulos
 D414,395 S 9/1999 Panfili
 5,956,799 A 9/1999 Panaccione et al.
 6,006,384 A 12/1999 Toal
 6,009,581 A 1/2000 David et al.
 D420,887 S 2/2000 Chen
 D421,890 S 3/2000 Alexander et al.
 6,131,222 A 10/2000 Anderson et al.
 6,131,290 A 10/2000 Chiou
 6,182,317 B1 2/2001 Huang
 D444,692 S 7/2001 Marquardt
 D446,104 S 8/2001 Chen
 D446,437 S 8/2001 Chen
 D456,236 S 4/2002 Norton
 D462,251 S 9/2002 Collins et al.
 D468,617 S 1/2003 Wang
 D468,989 S 1/2003 Gringer et al.
 D472,125 S 3/2003 Hsu
 6,530,098 B1 3/2003 Gringer et al.
 D482,588 S 11/2003 Lai
 D483,244 S 12/2003 Chen
 6,668,751 B1 12/2003 Henke
 D487,387 S 3/2004 Chen
 D490,290 S 5/2004 Norton
 D498,124 S 11/2004 Mitchell
 D516,394 S 3/2006 Chen
 D517,896 S 3/2006 Hsu
 D520,827 S 5/2006 Denton
 D526,881 S 8/2006 Holby
 D527,244 S 8/2006 Holby
 D534,781 S 1/2007 Chen
 D535,174 S 1/2007 Chen
 D535,541 S 1/2007 Holby
 D551,053 S 9/2007 Bruno et al.
 D565,383 S 4/2008 Bruno et al.
 D569,215 S 5/2008 Chiu
 D572,565 S 7/2008 Perez et al.
 D576,467 S 9/2008 Shu
 7,434,318 B2 10/2008 Perez et al.
 D581,764 S 12/2008 Kinskey et al.

D599,642 S 9/2009 Su
 7,587,778 B2 9/2009 Rosso et al.
 7,603,778 B1 10/2009 Lerch
 D608,177 S 1/2010 Perlman
 D609,992 S 2/2010 Delaney
 D612,702 S 3/2010 Perlman
 7,788,760 B2 9/2010 Schneble
 7,818,843 B2 10/2010 Kinskey et al.
 D629,578 S 12/2010 Molina
 8,205,341 B2 6/2012 Rosso et al.
 D674,259 S 1/2013 Metaxatos et al.
 D674,260 S 1/2013 Metaxatos et al.
 D693,077 S 11/2013 Thompson
 8,635,782 B2 1/2014 Russell, III
 8,819,944 B2 9/2014 Farland et al.
 8,844,087 B2 9/2014 Marsden et al.
 8,844,410 B2 9/2014 Henke et al.
 8,856,995 B2 10/2014 Arvinte et al.
 D719,433 S 12/2014 Cooper et al.
 D733,517 S 7/2015 Constantine
 10,040,185 B2 8/2018 Davis
 10,369,687 B2 8/2019 Levand et al.
 2002/0073554 A1 6/2002 Chen
 2007/0074401 A1 4/2007 Myers et al.
 2007/0124881 A1 6/2007 Daugherty
 2008/0110027 A1 5/2008 Seber et al.
 2009/0084233 A1 4/2009 Rosso et al.
 2009/0139051 A1 6/2009 Hobbs
 2009/0293200 A1 12/2009 Rosso et al.
 2010/0117262 A1 5/2010 Gringer
 2011/0138540 A1 6/2011 Kinskey et al.
 2012/0137445 A1 6/2012 Arvinte et al.
 2012/0246946 A1 10/2012 Kreitz et al.
 2013/0227794 A1 9/2013 Wang
 2014/0173832 A1 6/2014 Kim
 2017/0208976 A1 7/2017 Muise et al.
 2018/0029213 A1 2/2018 Li

FOREIGN PATENT DOCUMENTS

CN 3509667 3/2006
 CN 300768755 4/2008
 CN 101193730 A 6/2008
 CN 300840659 10/2008
 CN 300845692 11/2008
 CN 301211005 5/2010
 CN 301456087 2/2011
 CN 201970322 U 9/2011
 CN 302173179 11/2012
 CN 302214939 12/2012
 CN 302276247 1/2013
 CN 302296356 1/2013
 CN 302313081 2/2013
 CN 302439605 5/2013
 CN 204450467 U 7/2015
 GB 2482945 A 2/2012

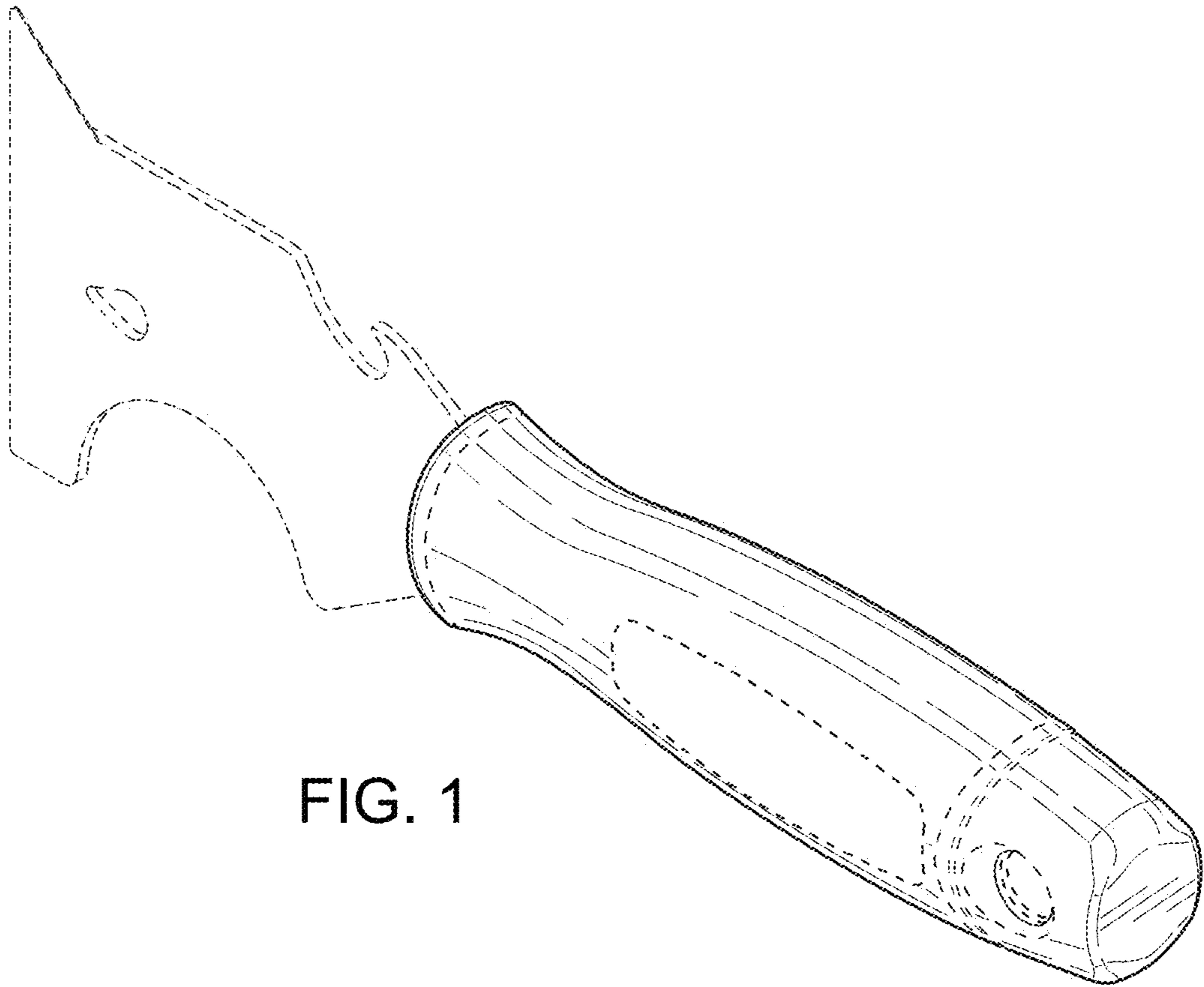


FIG. 1

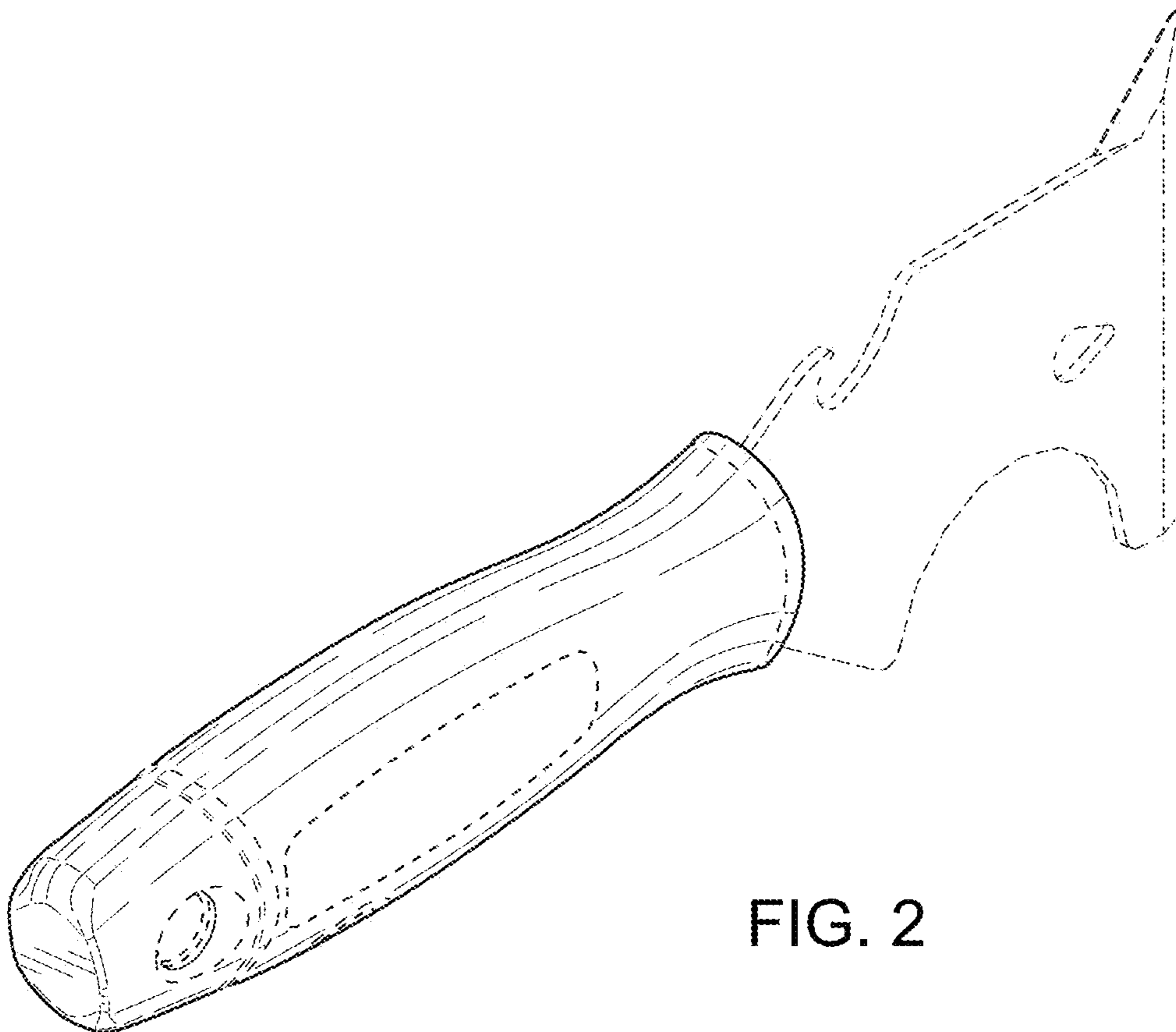


FIG. 2

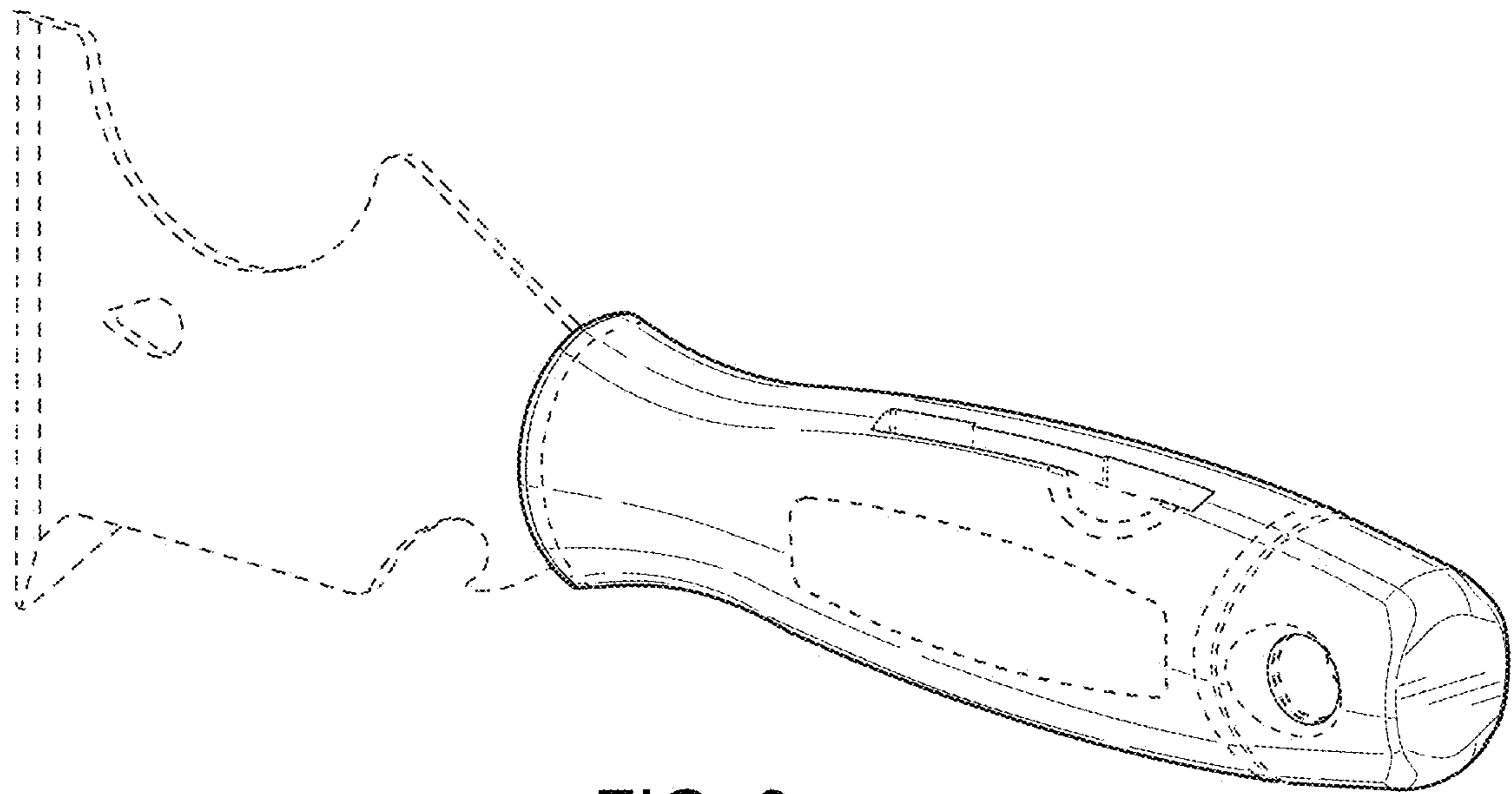


FIG. 3

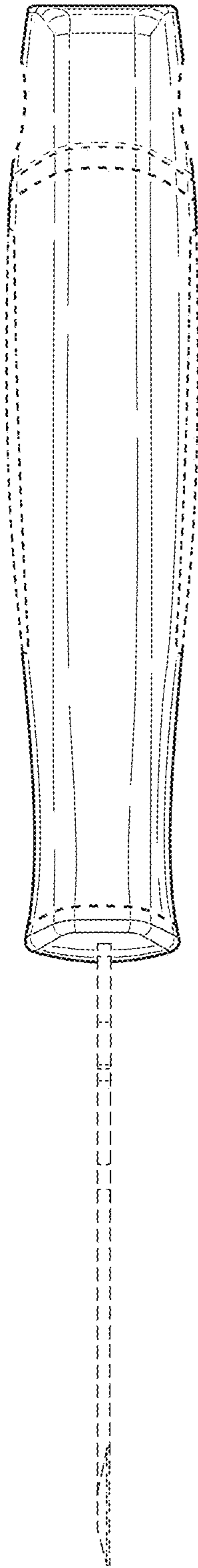


FIG. 4

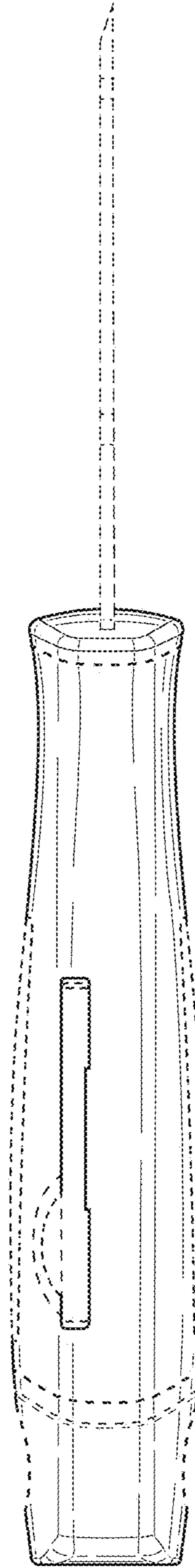


FIG. 5

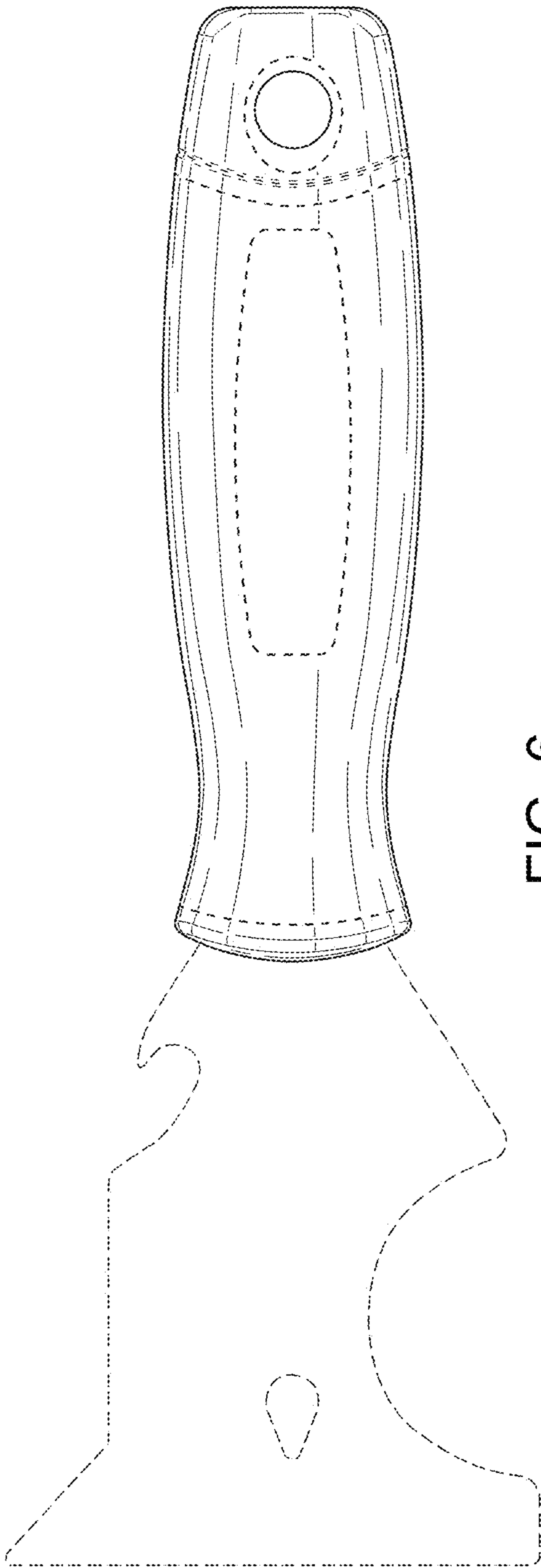


FIG. 6

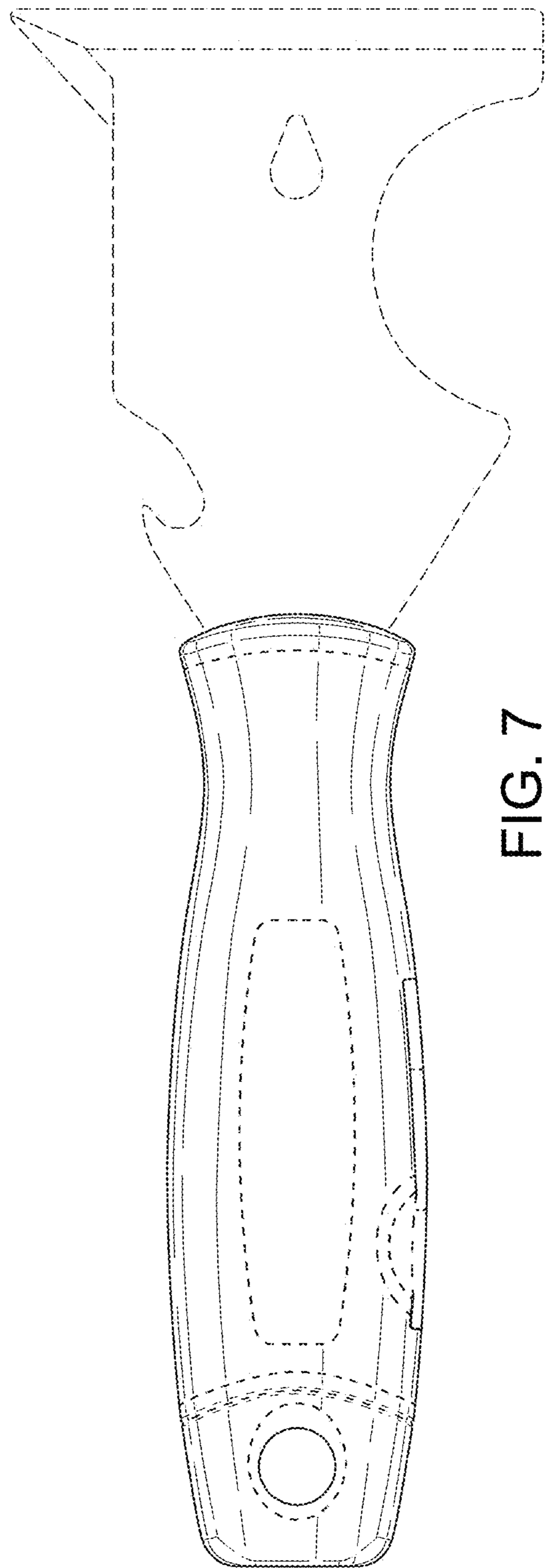


FIG. 7

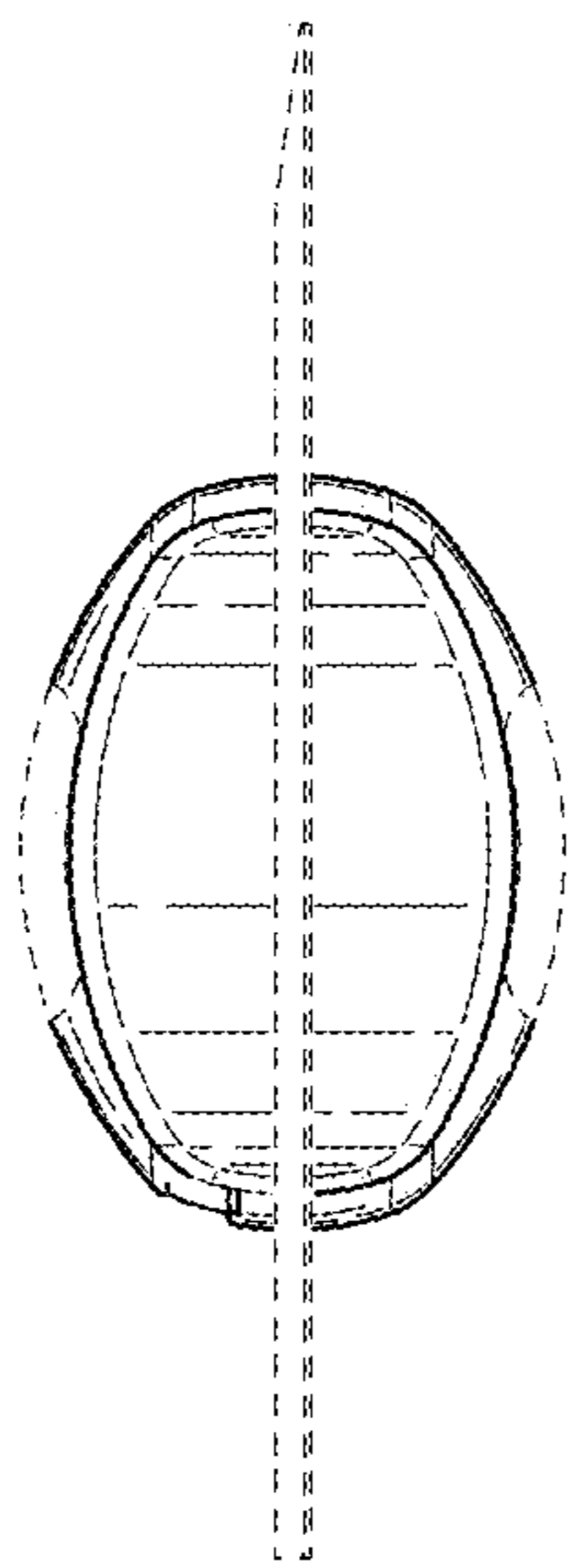


FIG. 8

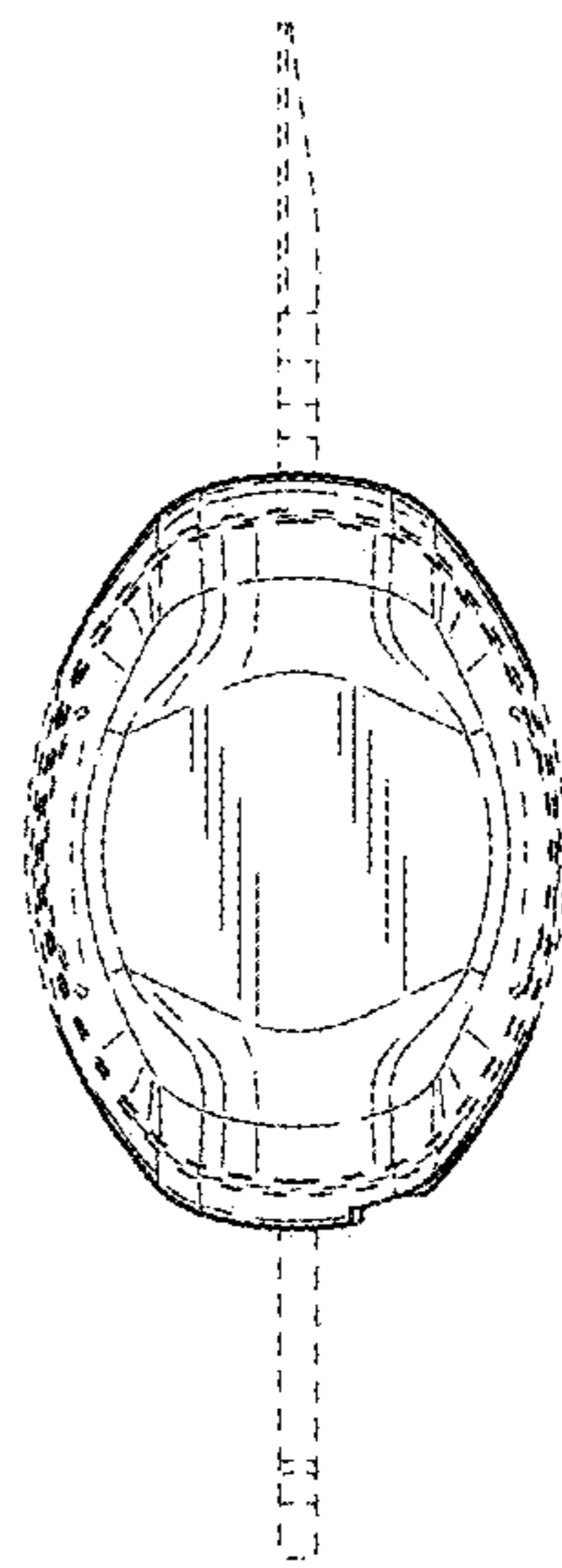


FIG. 9