



US00D946994S

(12) **United States Design Patent**
Huang

(10) **Patent No.:** **US D946,994 S**

(45) **Date of Patent:** **** Mar. 29, 2022**

(54) **THREE-SIDED DIAMOND WHETSTONE WITH A BASIN**

D326,345 S * 5/1992 Mandell D3/312
9,216,487 B1 * 12/2015 Dovel B24D 15/08
D876,741 S * 2/2020 Kokubo D32/53

(71) Applicant: **JIANGYIN DIAMOND TOOLS CO., LTD.**, Jiangyin (CN)

(72) Inventor: **Dongchen Huang**, Jiangyin (CN)

(**) Term: **15 Years**

(21) Appl. No.: **29/756,965**

(22) Filed: **Nov. 2, 2020**

(51) **LOC (13) Cl.** **08-05**

(52) **U.S. Cl.**
USPC **D8/91**; D8/93

(58) **Field of Classification Search**
USPC D8/14, 71, 90, 91, 92, 93; D32/53;
D7/629, 630; D3/276; D9/424, 425, 430
CPC B24D 15/00; B24D 15/02; B24D 15/06;
B24D 15/065; B24D 15/063
See application file for complete search history.

(56) **References Cited**

U.S. PATENT DOCUMENTS

1,935,592 A * 11/1933 Stivers B24D 15/06
451/554
1,959,647 A * 5/1934 Stivers B24D 15/02
451/554
2,453,207 A * 11/1948 Dunn B24D 15/02
248/316.4
D290,222 S * 6/1987 Moody D8/91
4,903,438 A * 2/1990 Smith B24D 15/06
451/552
D306,816 S * 3/1990 Hudnall D8/93

OTHER PUBLICATIONS

AccuSharp Deluxe Tri-Stone Knife & Tool Sharpening System Kit, Amazon.com, Available since Aug. 2, 2016.*
Smith's—TRI6 TRI-6 Arkansas TRI-HONE Sharpening Stones System Gray, Amazon.com Available since Nov. 12, 2003.*

* cited by examiner

Primary Examiner — Philip S Hyder

(74) *Attorney, Agent, or Firm* — Rumit Ranjit Kanakia

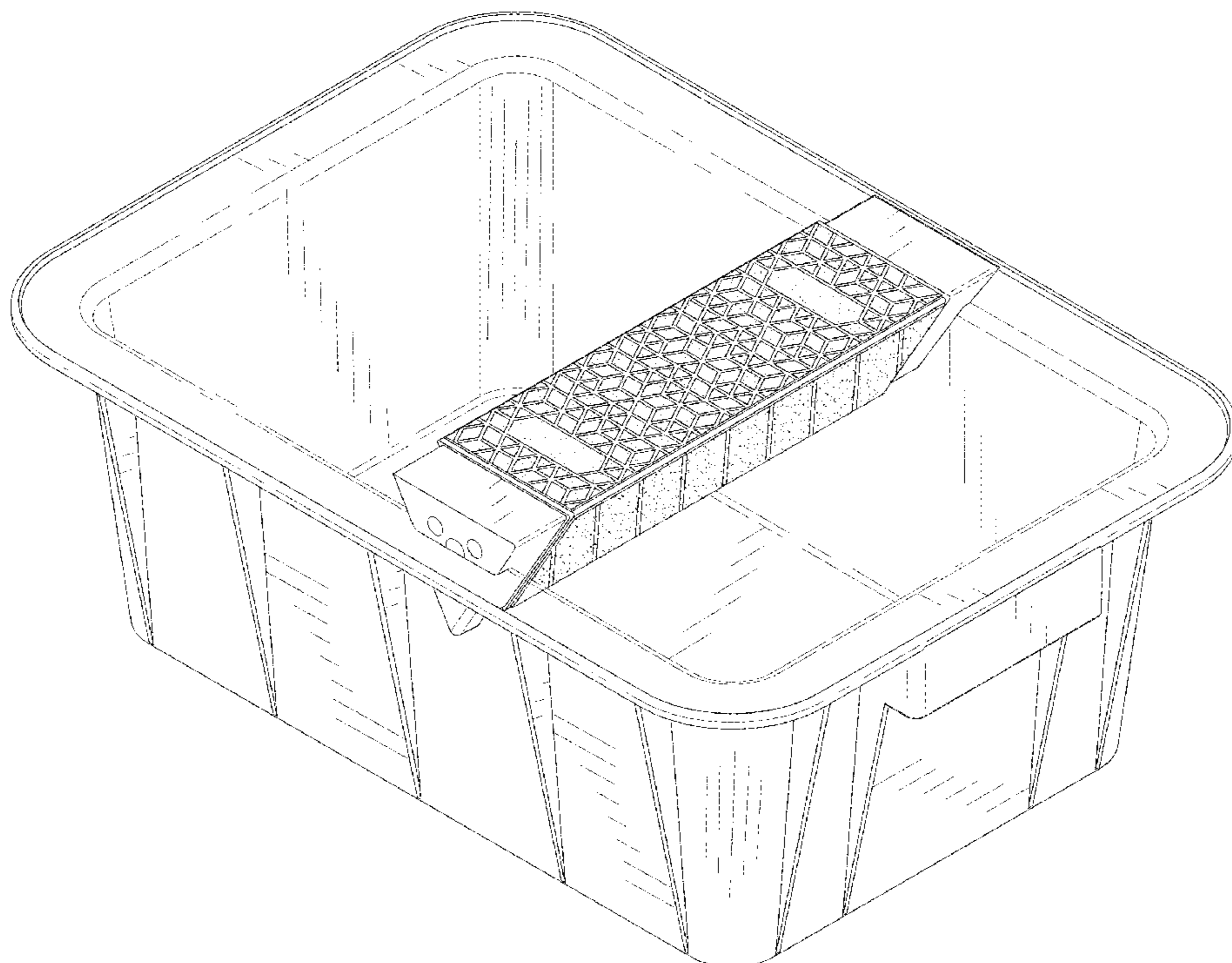
(57) **CLAIM**

The ornamental design for a three-sided diamond whetstone with a basin, as shown and described.

DESCRIPTION

FIG. 1 is front elevational view thereof of a three-sided diamond whetstone with a basin showing my new design where the whetstone is placed in the basin; FIG. 2 is a rear elevational view thereof; FIG. 3 is a left side view thereof; FIG. 4 is a right side view thereof; FIG. 5 is a top plan view thereof; FIG. 6 is a bottom plan view thereof; FIG. 7 is a perspective view thereof; FIG. 8 is another perspective view thereof; and, FIG. 9 is a perspective view thereof of a three-sided diamond whetstone with a basin showing my new design where the whetstone is separated from the basin.

1 Claim, 9 Drawing Sheets



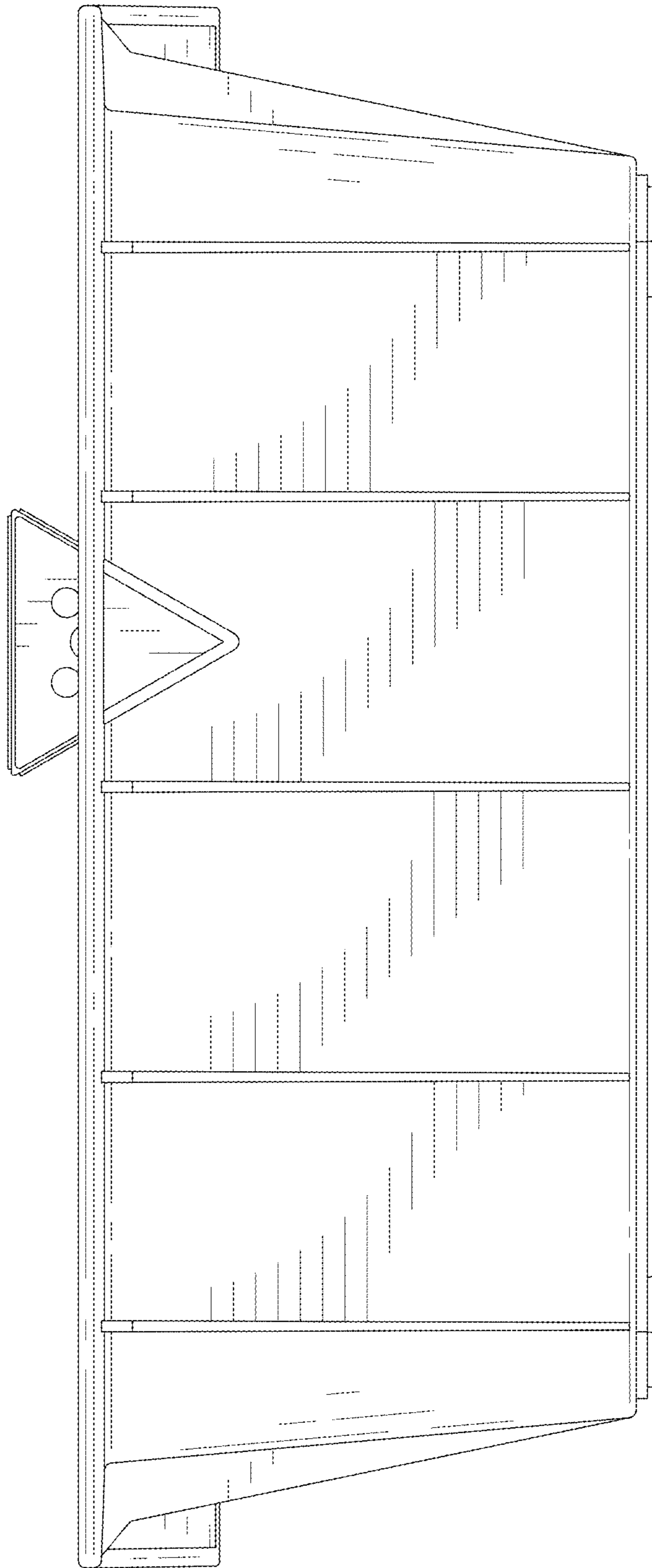


Fig. 1

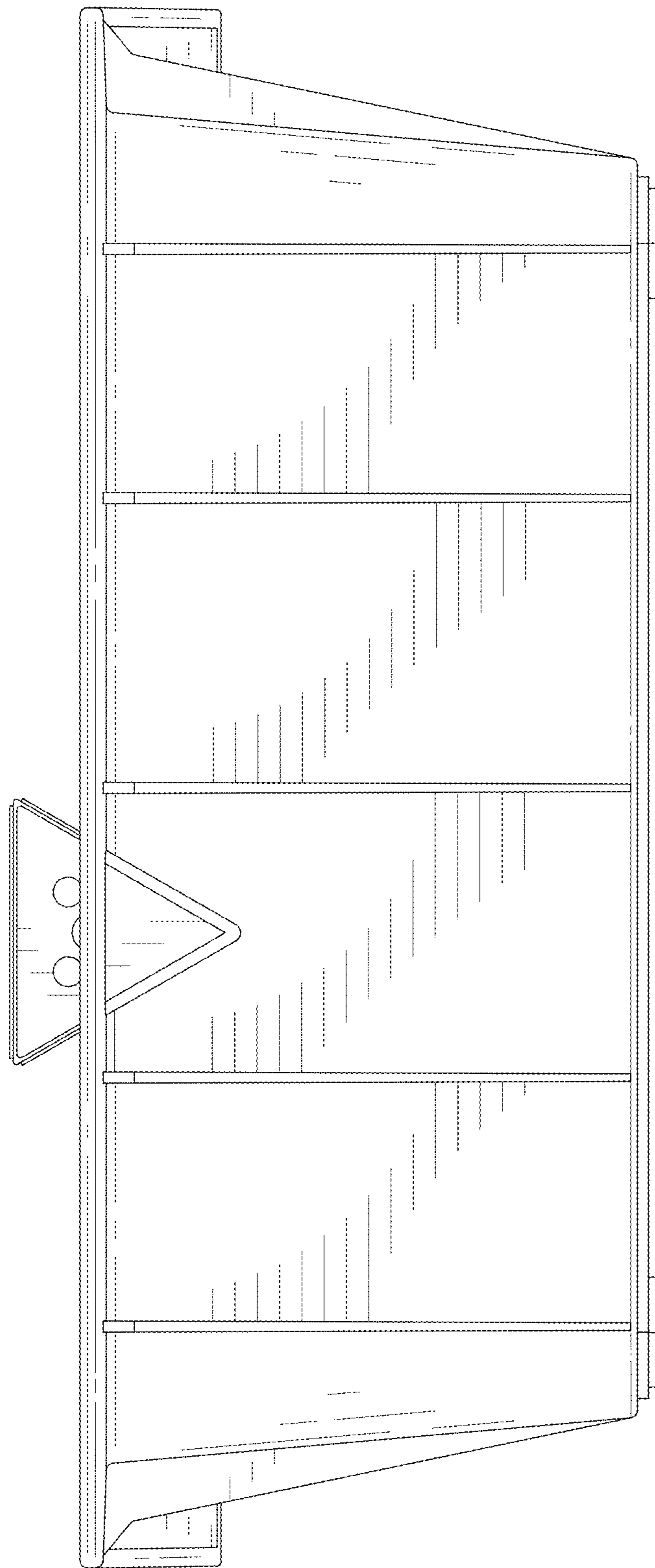


Fig. 2

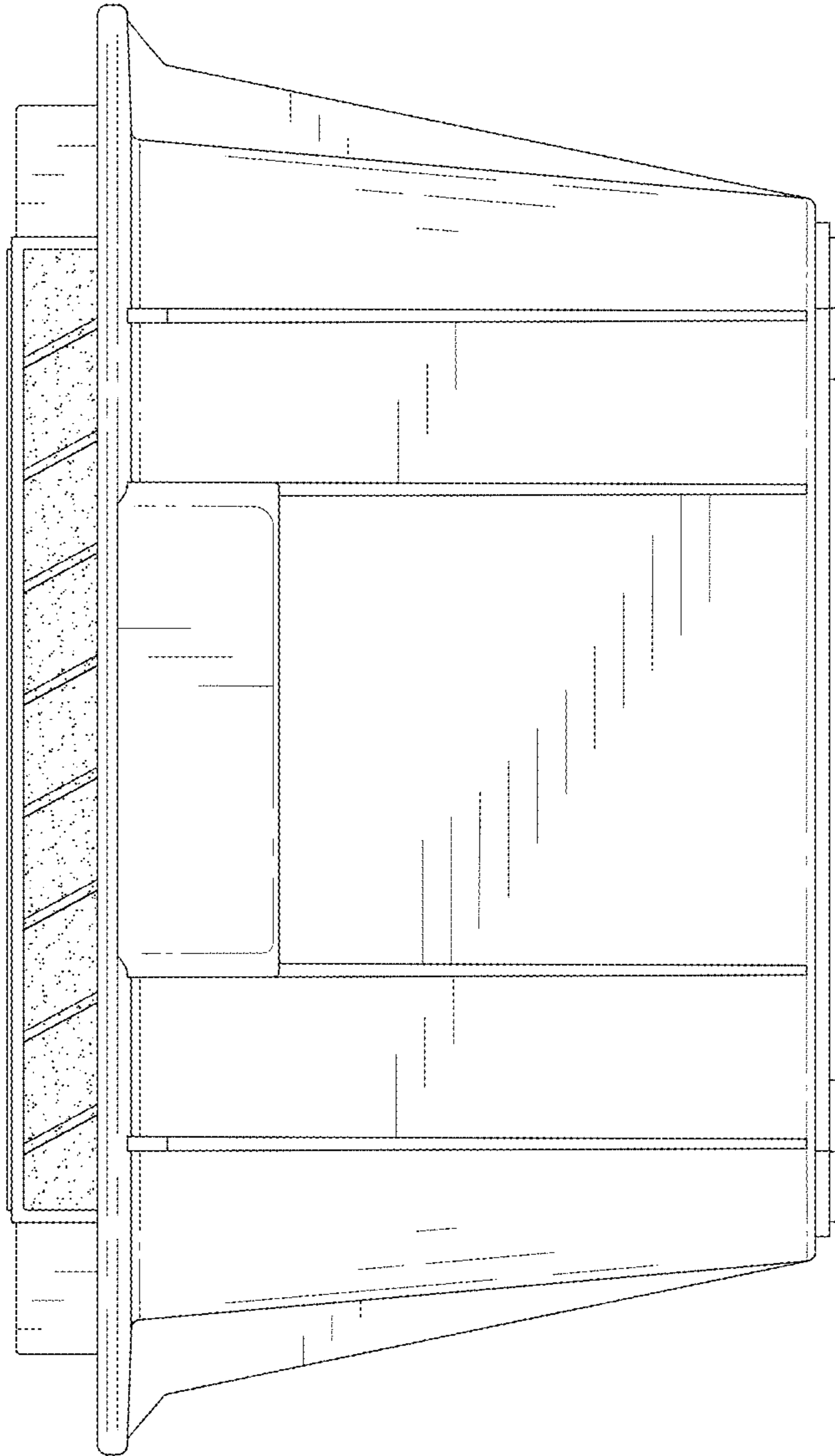


Fig. 3

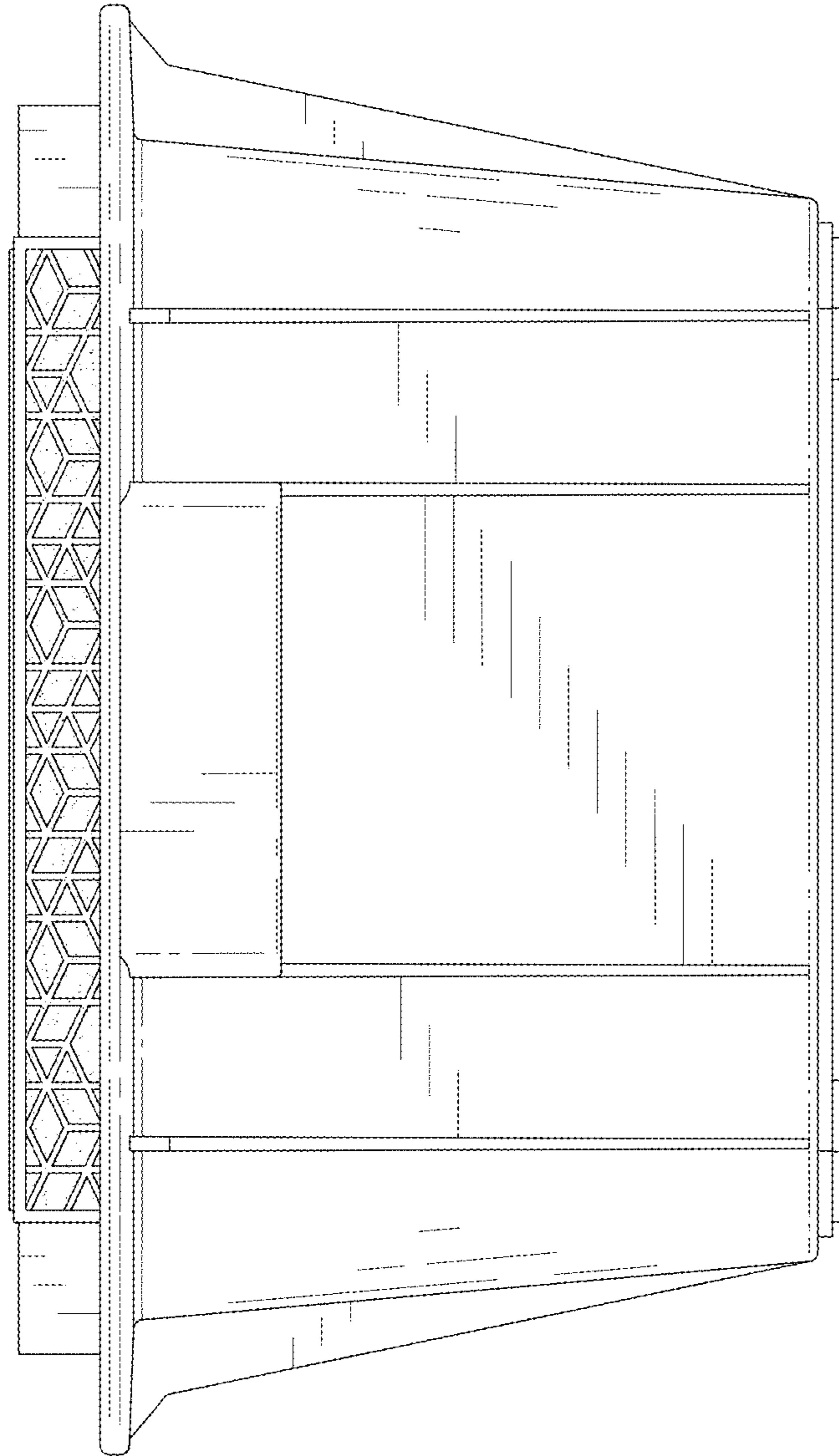


Fig. 4

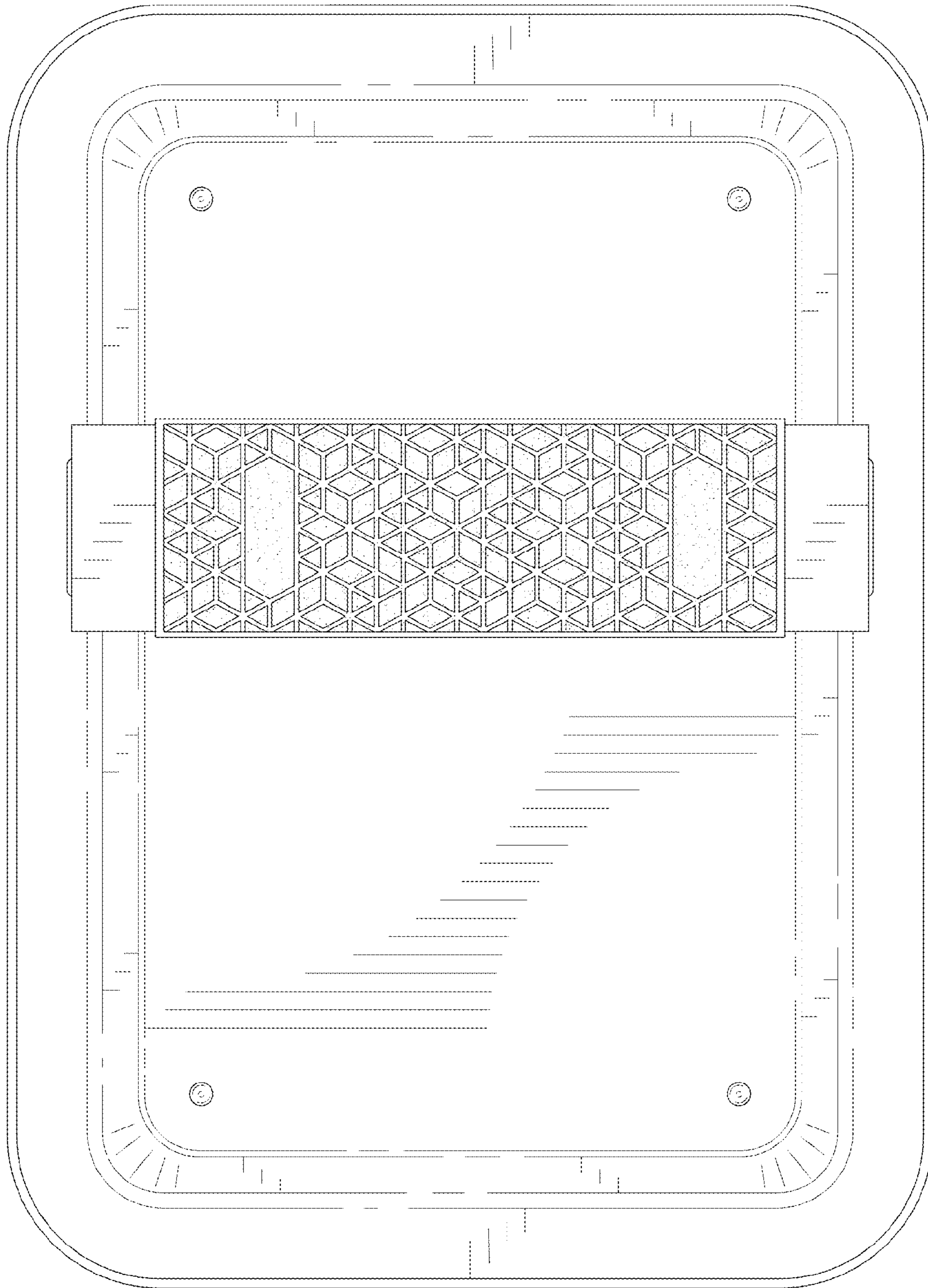


Fig. 5

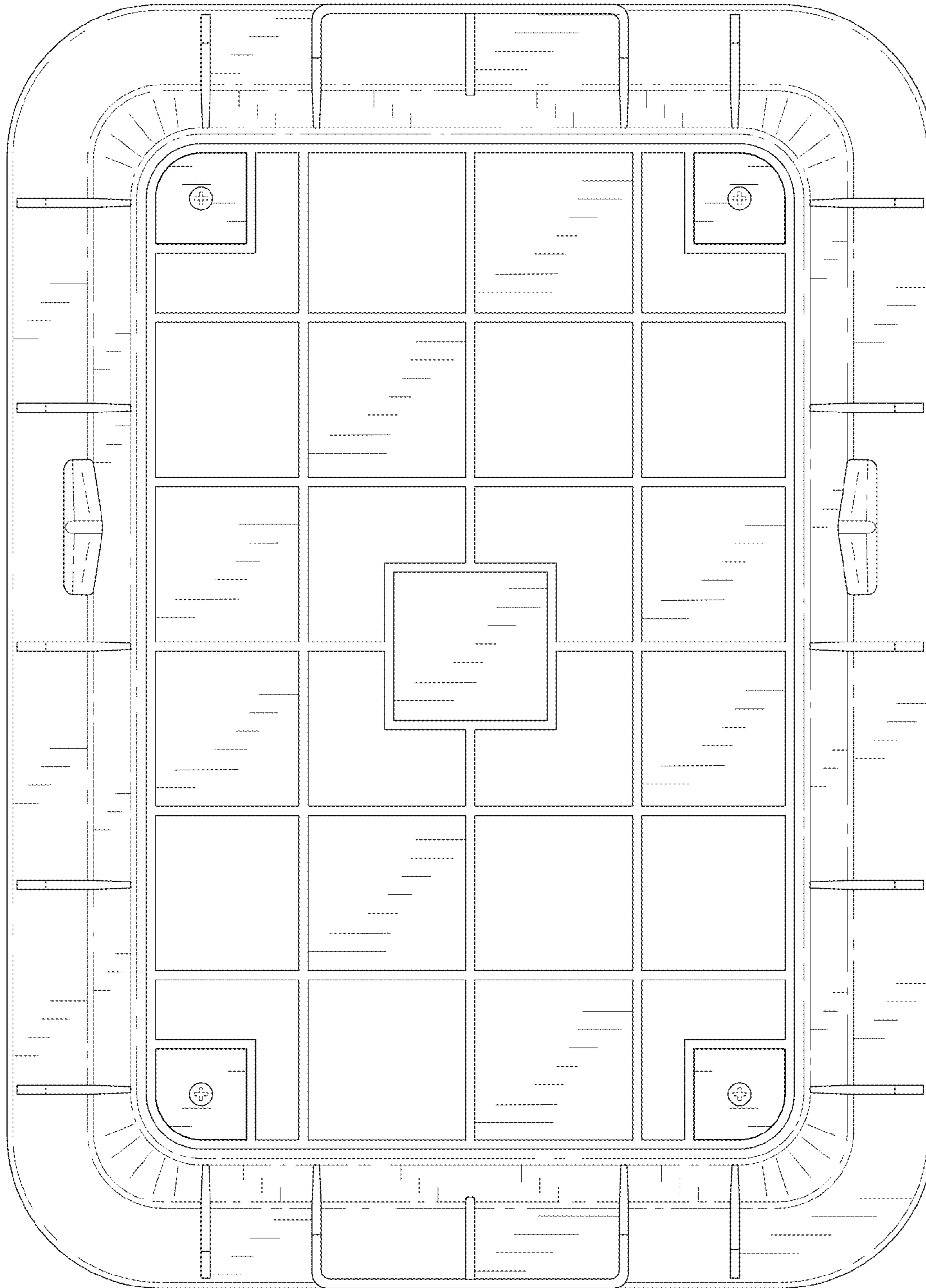


Fig. 6

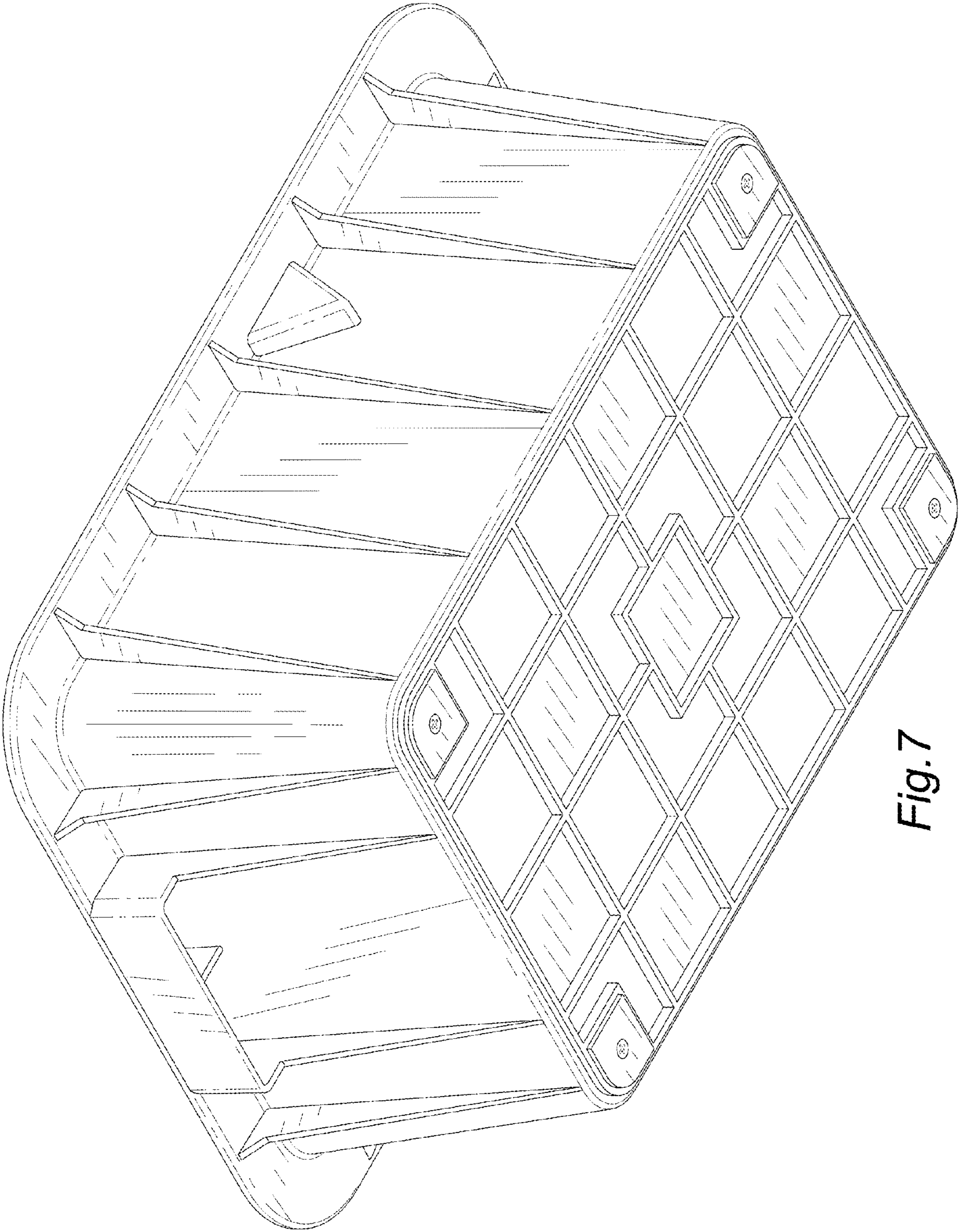


Fig. 7

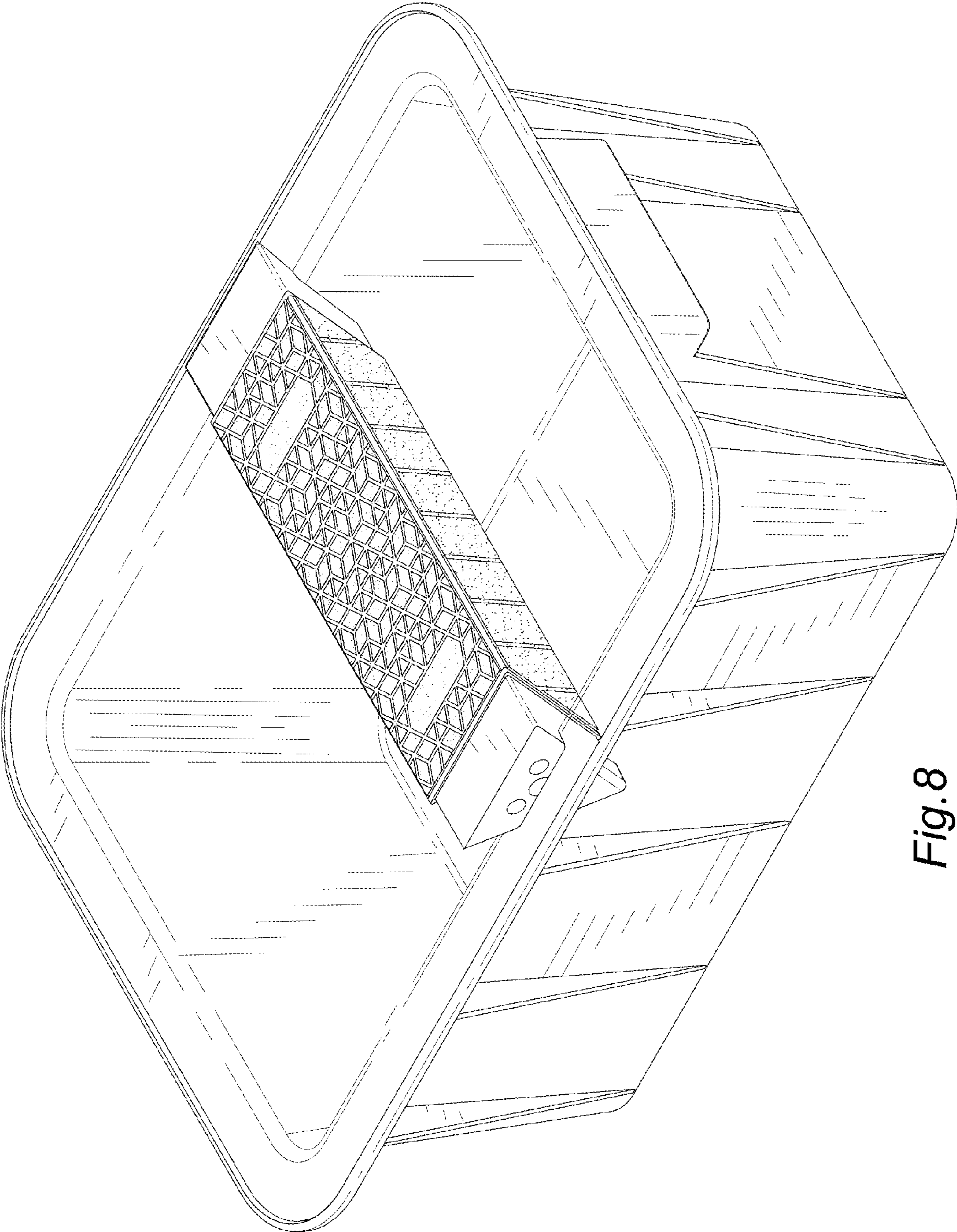


Fig. 8

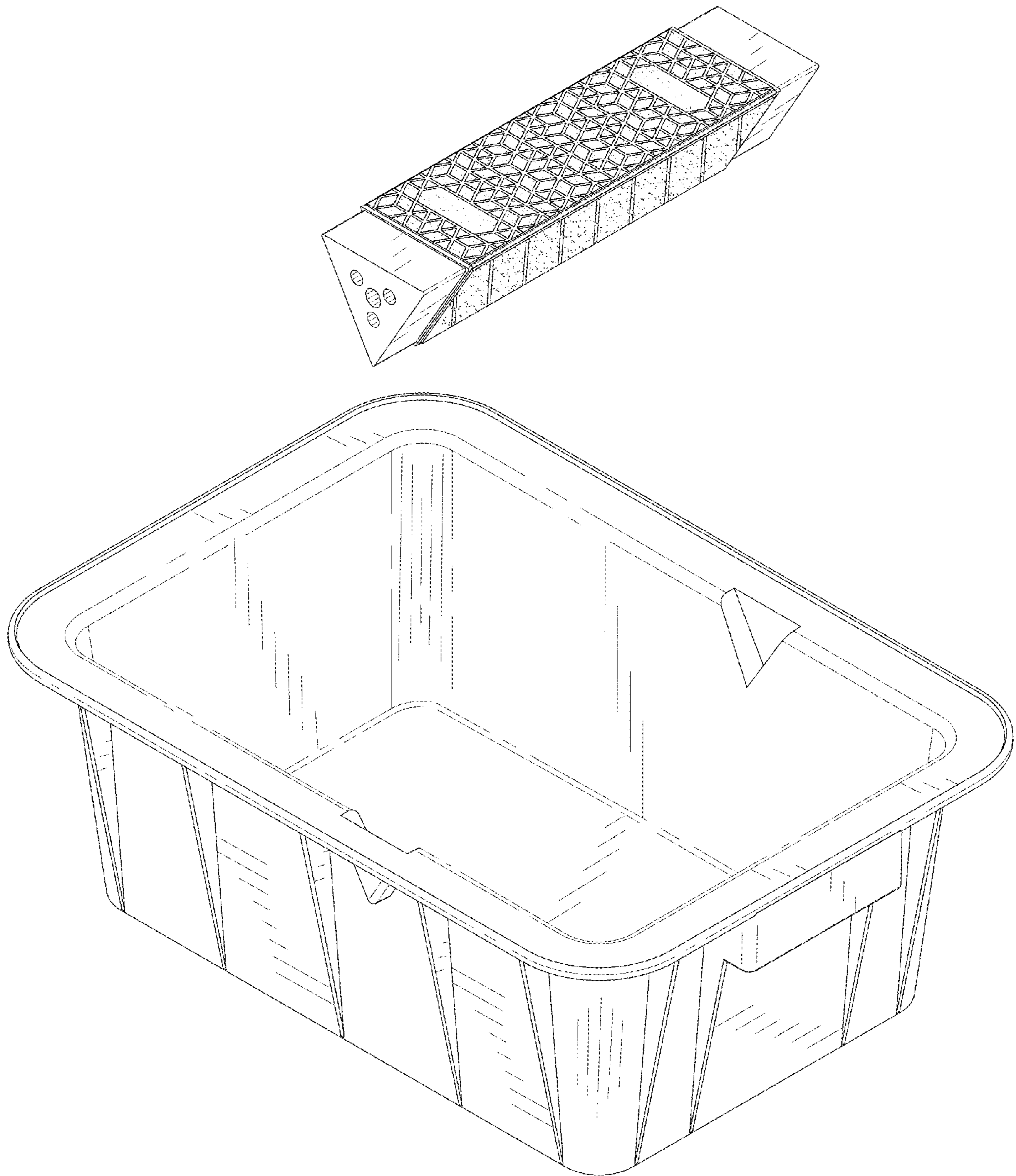


Fig.9