

US00D946992S

(12) **United States Design Patent**
Ye

(10) **Patent No.:** **US D946,992 S**

(45) **Date of Patent:** **** Mar. 29, 2022**

(54) **GUN VISE**

(71) Applicant: **Xiaohui Ye**, Zhejiang (CN)

(72) Inventor: **Xiaohui Ye**, Zhejiang (CN)

(**) Term: **15 Years**

(21) Appl. No.: **29/758,669**

(22) Filed: **Nov. 17, 2020**

(51) **LOC (13) Cl.** **08-05**

(52) **U.S. Cl.**
USPC **D8/74**

(58) **Field of Classification Search**
USPC D8/71-74, 394-399, 59; 248/63, 72,
248/74.1, 689, 124.2; 81/487, 385, 386,
81/388-390; 269/3, 4, 6, 143, 165, 240,
269/243, 246-249, 254 R, 147-149;
29/256, 257, 276; 408/103, 104-109;
42/94; D22/108
CPC B25B 1/00; B25B 5/00; F41A 23/16
See application file for complete search history.

8,544,202 B2 * 10/2013 Bastian, Jr. F41A 23/18
42/94
8,677,879 B1 * 3/2014 Gresham F41A 13/04
89/14.1
8,683,730 B1 * 4/2014 Moore F41A 23/16
42/94
8,739,982 B2 * 6/2014 Werner A47B 81/005
211/64
D899,547 S * 10/2020 Warner D22/108
D904,548 S * 12/2020 Chen D22/108

* cited by examiner

Primary Examiner — David G Muller

(74) *Attorney, Agent, or Firm* — ScienBiziP, P.C.

(56) **References Cited**

U.S. PATENT DOCUMENTS

D364,080 S * 11/1995 Weyrauch D8/74
D543,604 S * 5/2007 Minneman D22/108
7,356,960 B1 * 4/2008 Knitt F41A 23/16
42/94
7,980,017 B2 * 7/2011 Harman, III F41A 23/16
42/94
8,296,988 B2 * 10/2012 Yale F41A 23/18
42/94
8,316,571 B1 * 11/2012 Holland F41G 11/001
42/94
8,359,780 B2 * 1/2013 Peterson F41G 11/003
42/94

(57) **CLAIM**

The ornamental design for a gun vise, as shown and described.

DESCRIPTION

FIG. 1 is a front and top perspective view of a gun vise, showing my design.

FIG. 2 is a front elevation view thereof.

FIG. 3 is a rear elevation view thereof.

FIG. 4 is a left side elevation thereof.

FIG. 5 is a right side elevation thereof.

FIG. 6 is a top plan view thereof.

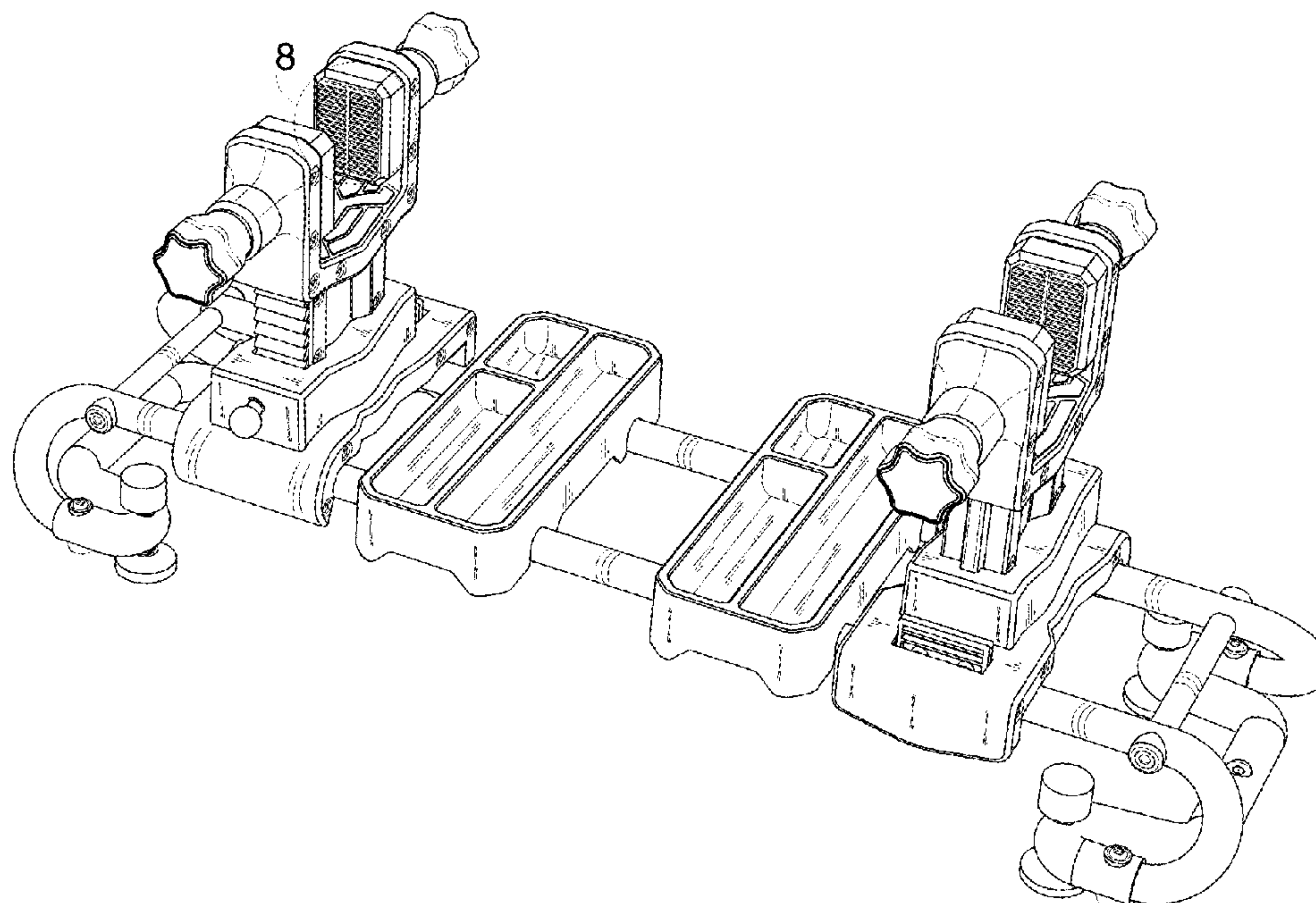
FIG. 7 is a bottom plan view thereof.

FIG. 8 is an enlarged view of an area labeled 8 in FIG. 1; and,

FIG. 9 is an enlarged view of an area labeled 9 in FIG. 2.

The broken lines in the drawings depict environmental structure and boundaries and form no part of the claimed design.

1 Claim, 9 Drawing Sheets



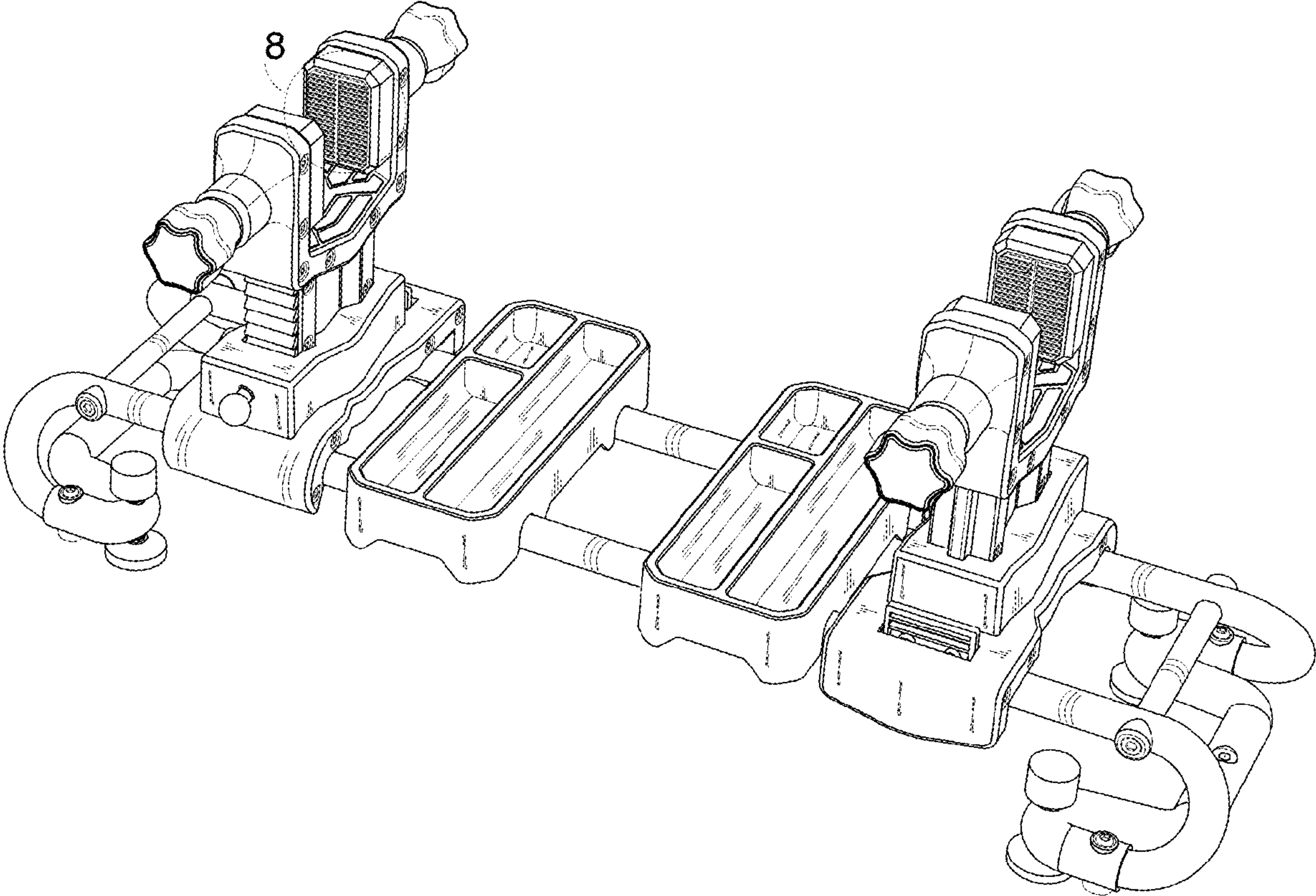


FIG.1

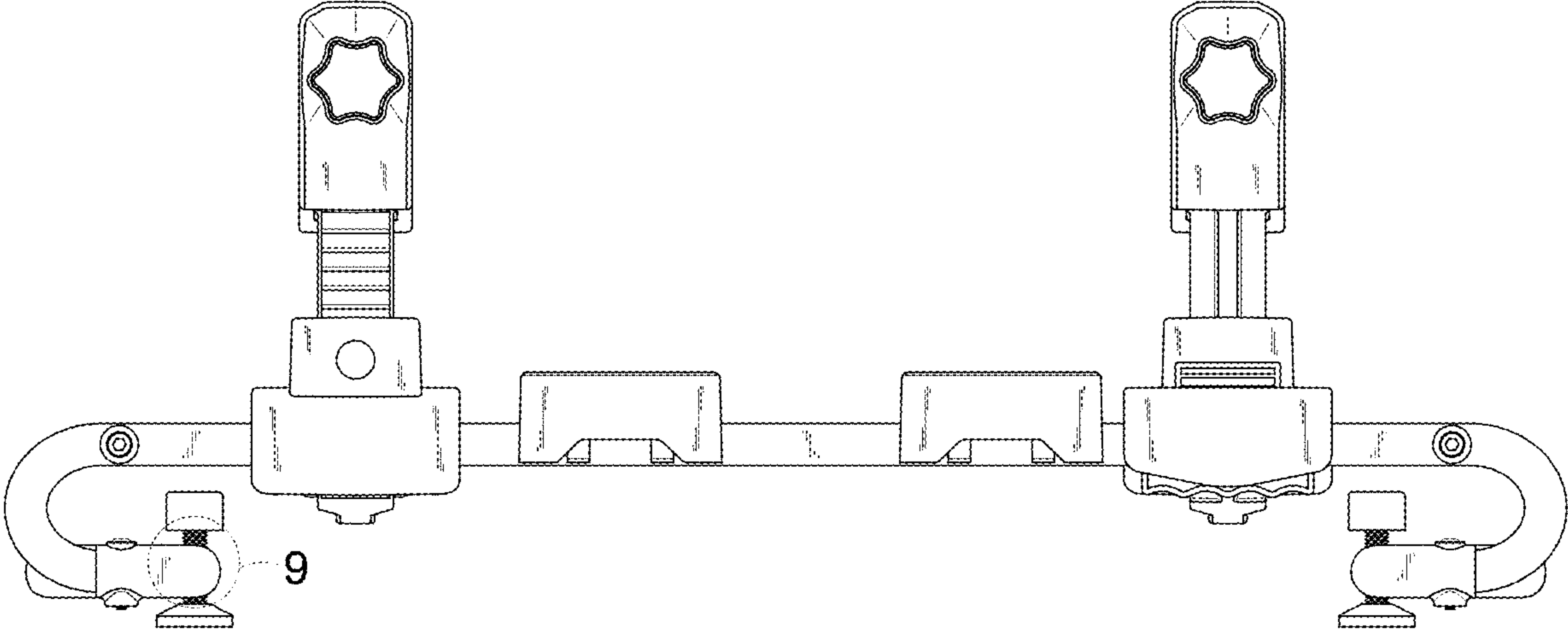


FIG.2

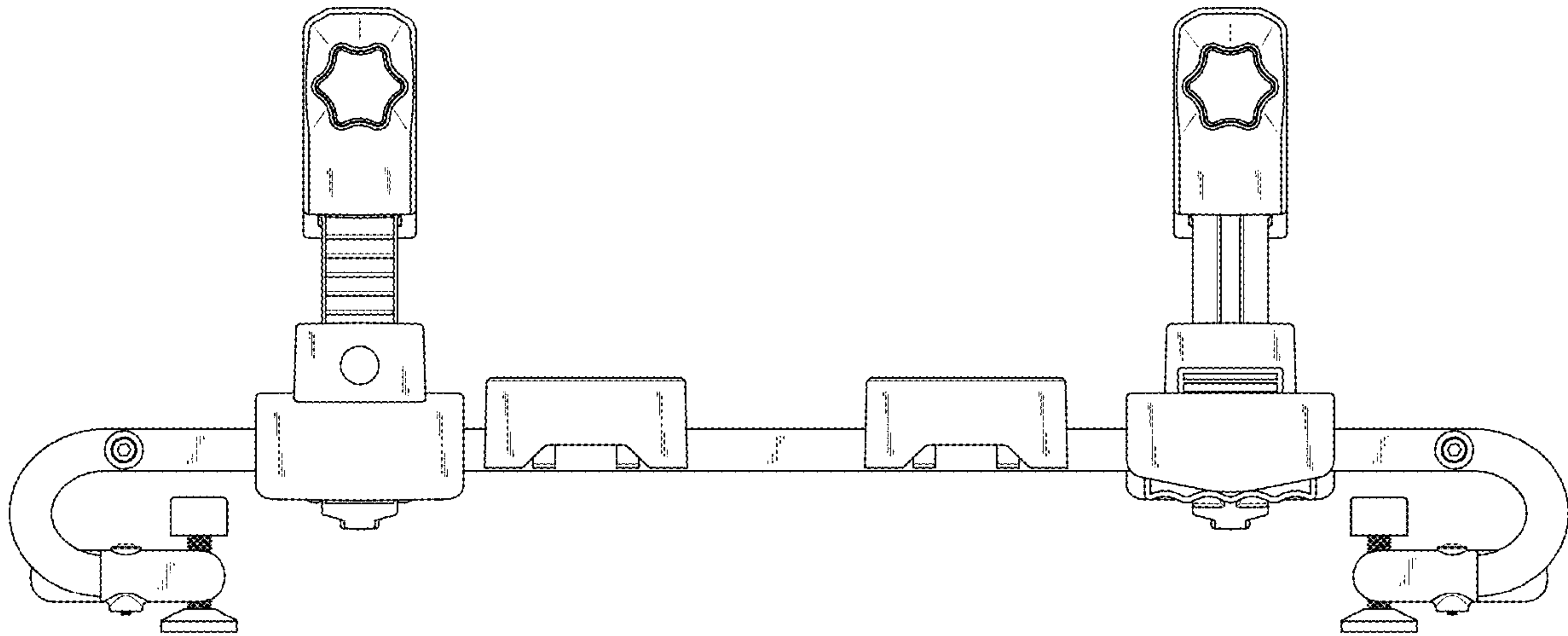


FIG.3

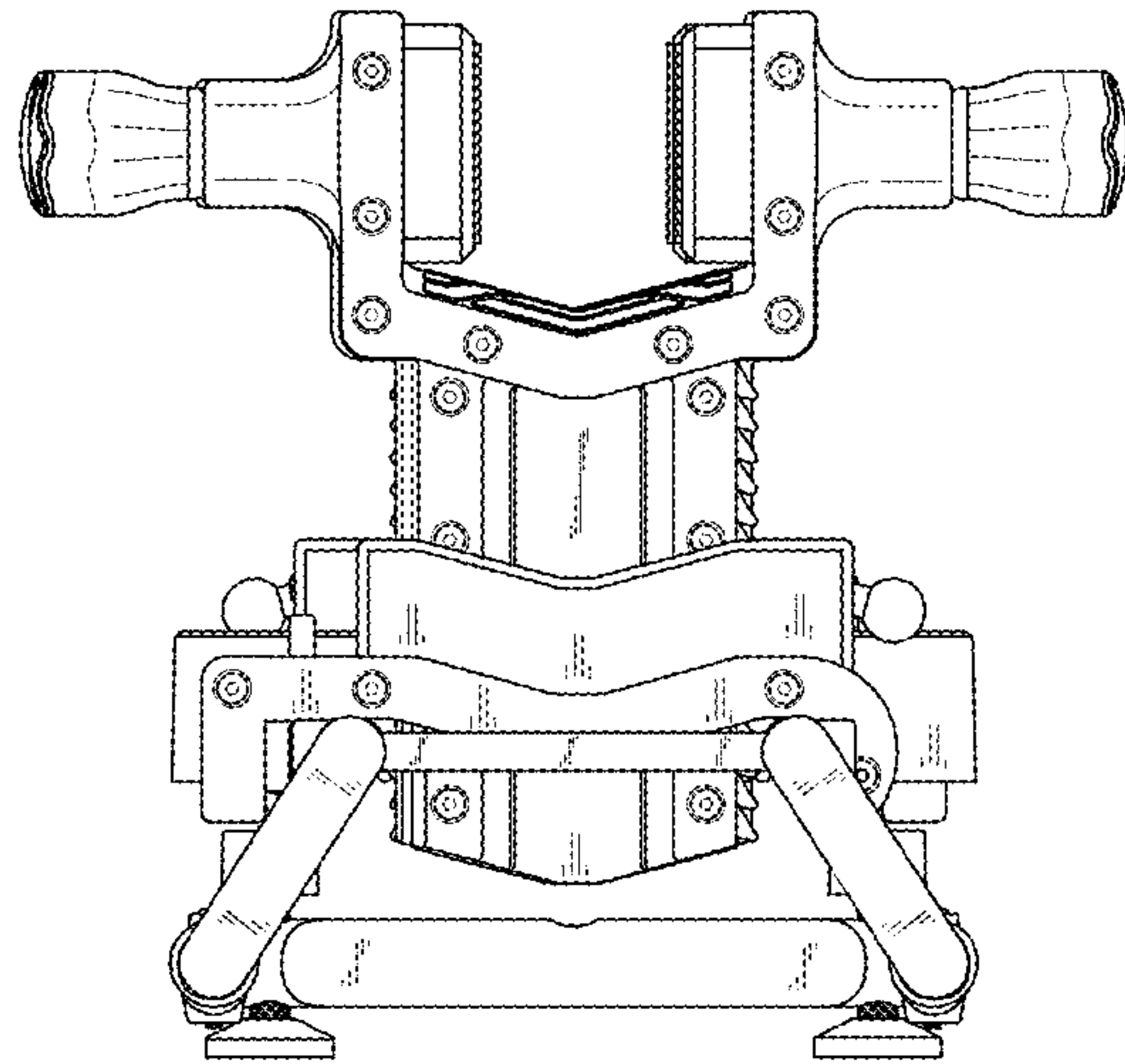


FIG.4

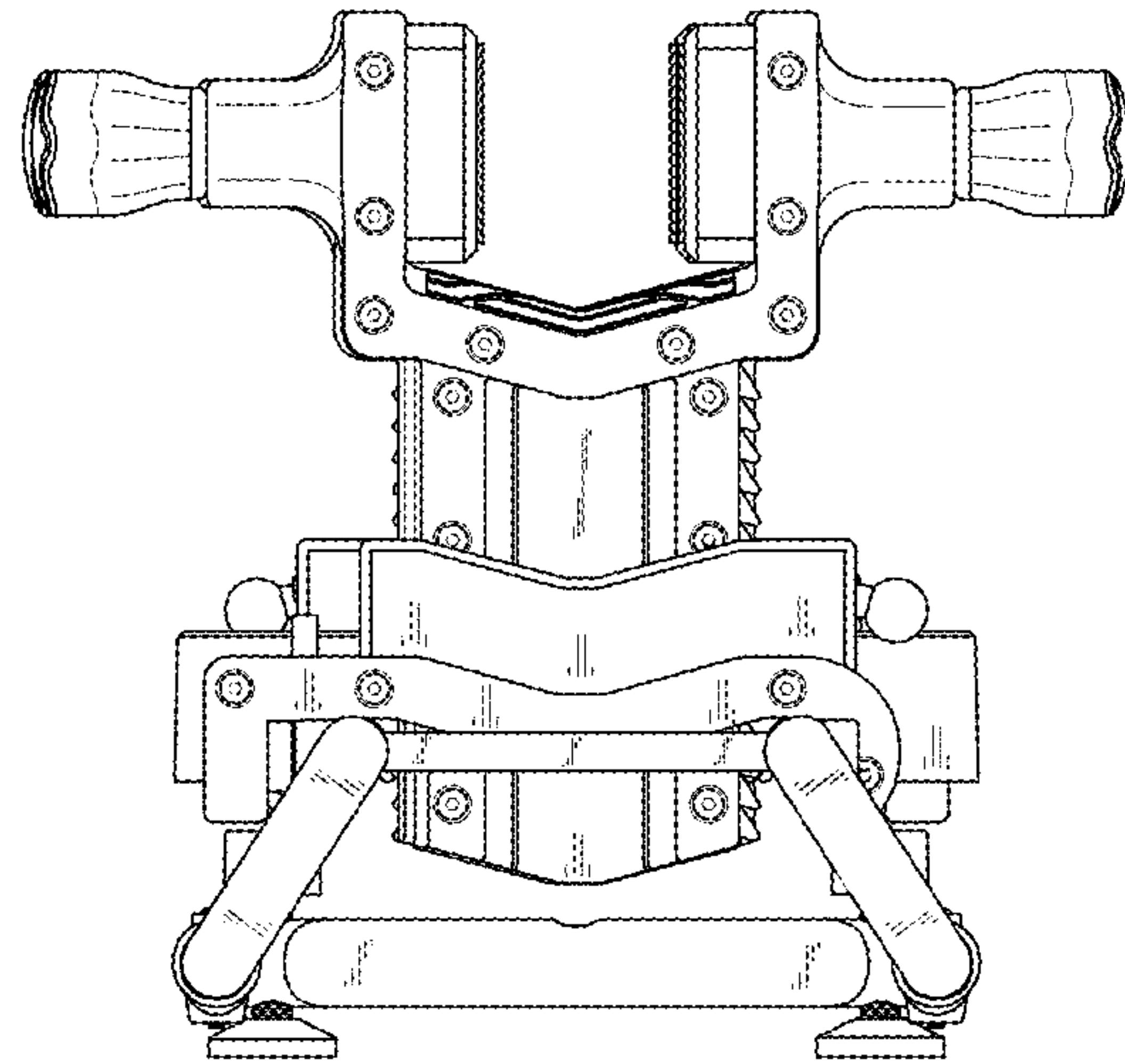


FIG.5

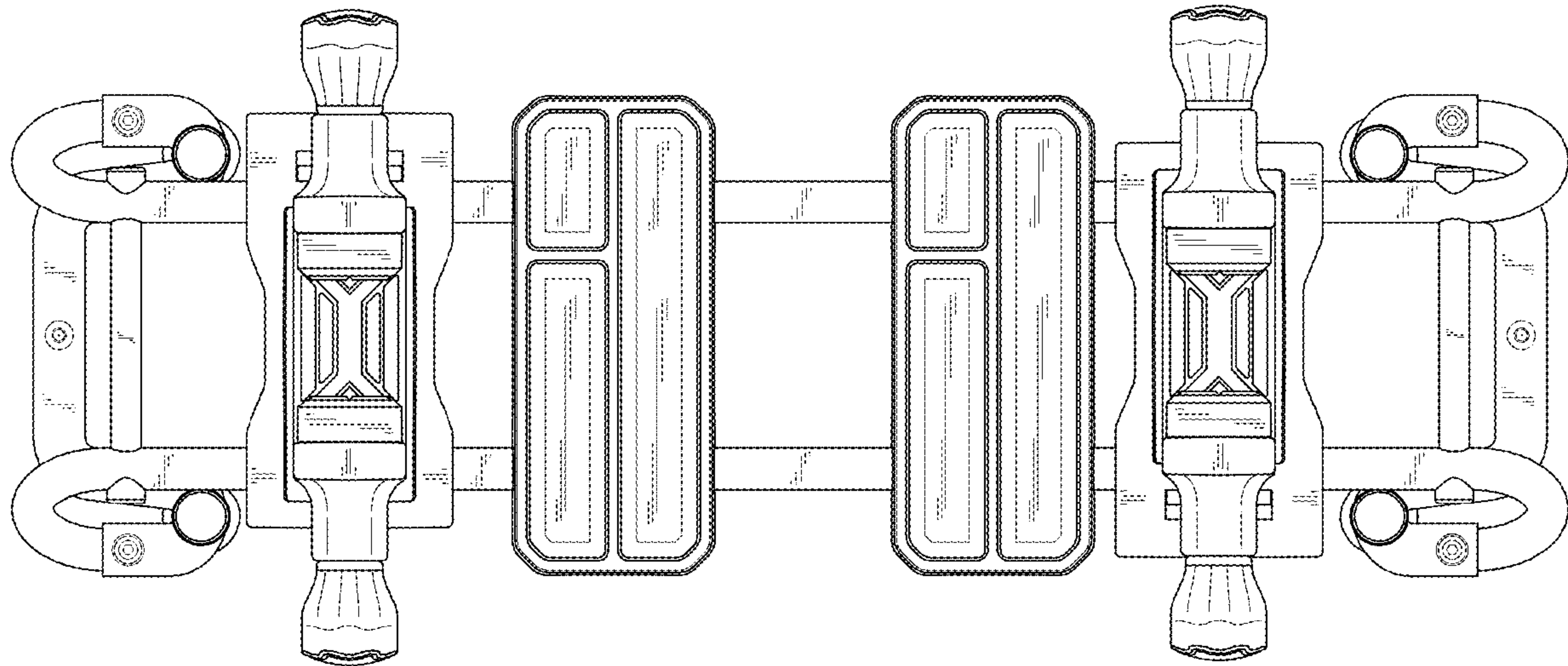


FIG.6

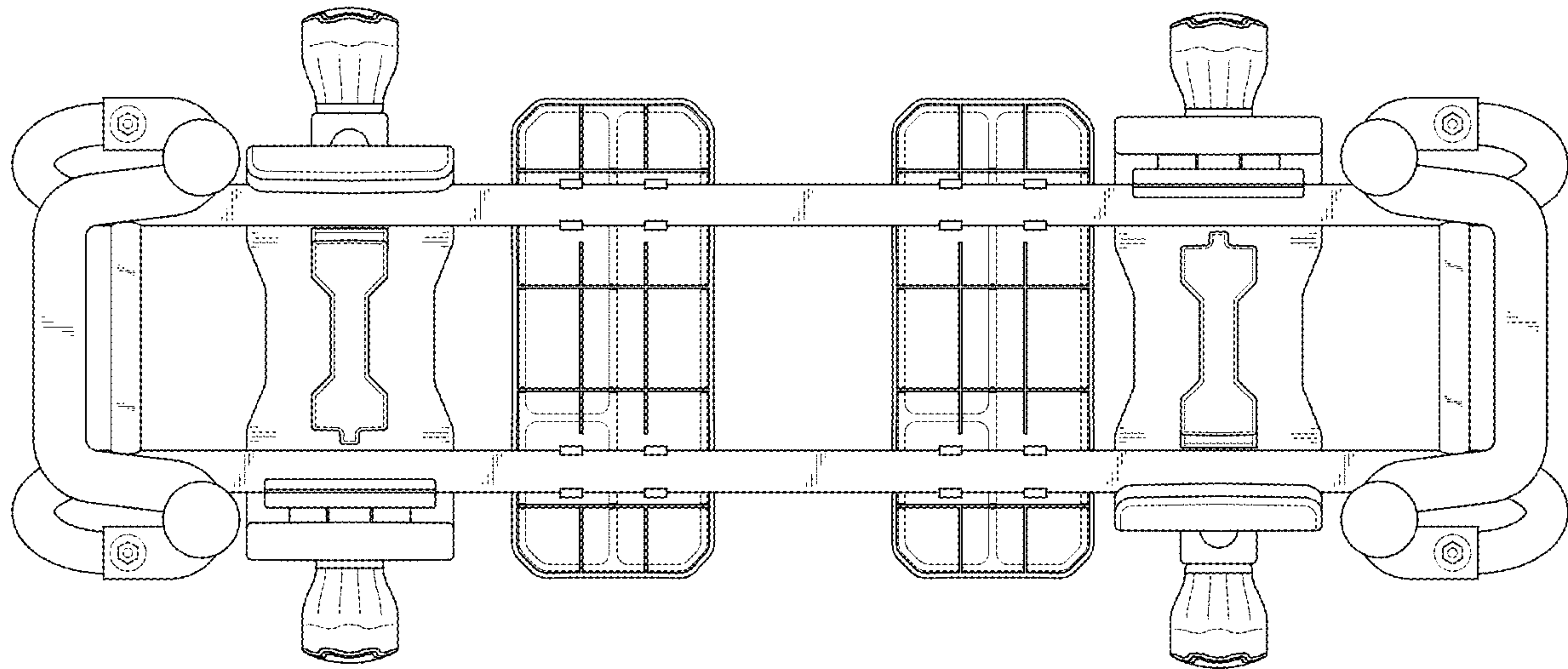


FIG. 7

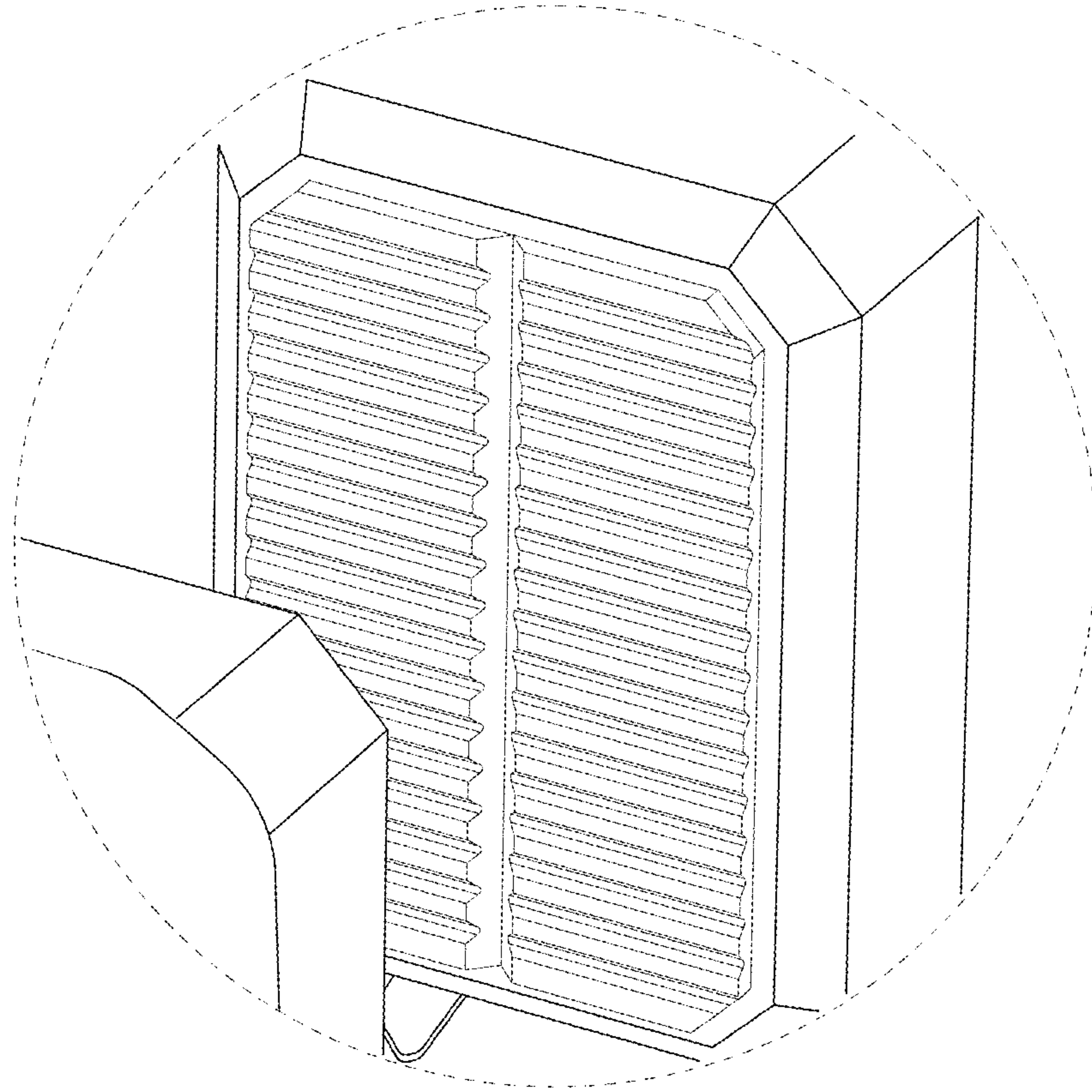


FIG.8

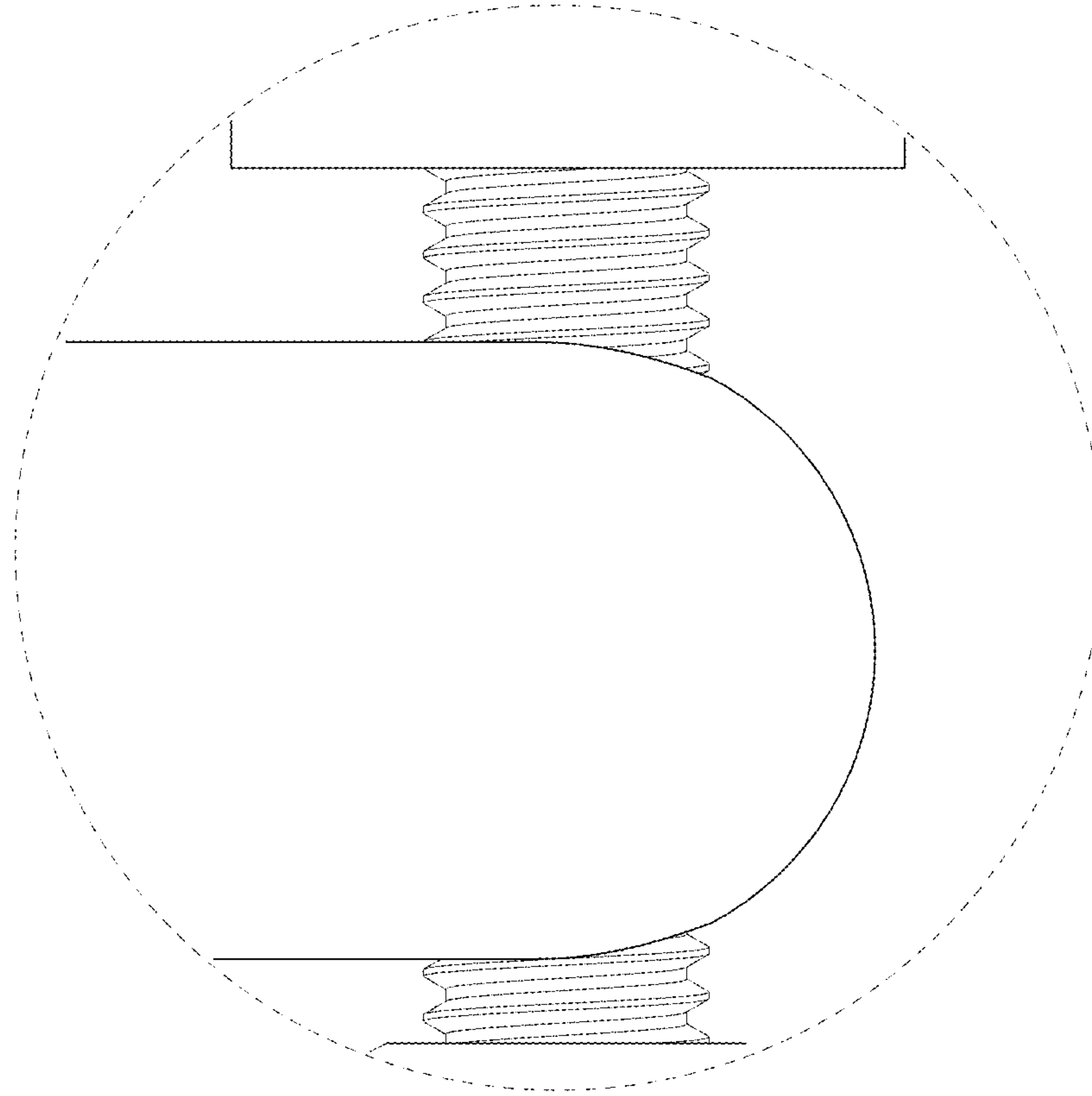


FIG.9