

US00D946991S

(12) **United States Design Patent**
Damron

(10) **Patent No.:** **US D946,991 S**
(45) **Date of Patent:** **** Mar. 29, 2022**

(54) **DRILL STIR STICK HOLDER AND MULTI-TOOL ACCESSORY**

(71) Applicant: **Mark Lee Damron**, Plain City, OH (US)

(72) Inventor: **Mark Lee Damron**, Plain City, OH (US)

(**) Term: **15 Years**

(21) Appl. No.: **29/728,987**

(22) Filed: **Mar. 23, 2020**

(51) **LOC (13) Cl.** **08-03**

(52) **U.S. Cl.**
USPC **D8/70; D8/14; D7/412**

(58) **Field of Classification Search**
USPC D7/99, 306-313, 317-318, 326, 356, D7/376-386, 392, 397-399, 412-415, D7/607, 665, 688, 693; D8/14, 70; D15/12, 28, 138; D32/35, 46, 54
CPC B01F 13/002; B01F 13/0033; B01F 15/00006; B01F 7/00325; B65D 83/38; B65D 1/0215; B65D 83/207

See application file for complete search history.

(56) **References Cited**

U.S. PATENT DOCUMENTS

56,059	A *	7/1866	Johnson	A47L 11/164 279/43.3
5,112,135	A *	5/1992	Rupp	A47J 43/0711 366/197
5,185,938	A *	2/1993	Hutt	A46B 17/06 15/246
5,439,236	A *	8/1995	Musil	B01F 7/001 279/102
5,676,463	A *	10/1997	Larsen	B01F 7/1695 366/251
D404,628	S *	1/1999	Kendrick	D8/70
6,247,837	B1 *	6/2001	Wardberg	B01F 7/00066 366/129
D491,784	S *	6/2004	Chiang	D8/70
6,902,315	B2 *	6/2005	Hutchinson	B01F 7/001 366/129

(Continued)

OTHER PUBLICATIONS

“Micro Fine Drill Mill Adaptor Miniature Quill ½" Shank-JTO Taper . . .” Amazon., Jan. 21, 2017 [online], [retrieved on Nov. 5, 2021]. Retrieved from the Internet <URL: https://www.amazon.com/Miniature-Shank-JTO-Chuck-Manual-Control-Avoids-Breakage/dp/B06XZ4KJSV/ref=pd_lpo_2?pd_rd_i=B06XZ4KJSV&psc=1>.*

(Continued)

Primary Examiner — Darlington Ly

(74) *Attorney, Agent, or Firm* — The Law Office of Patrick F. O’Reilly III, LLC

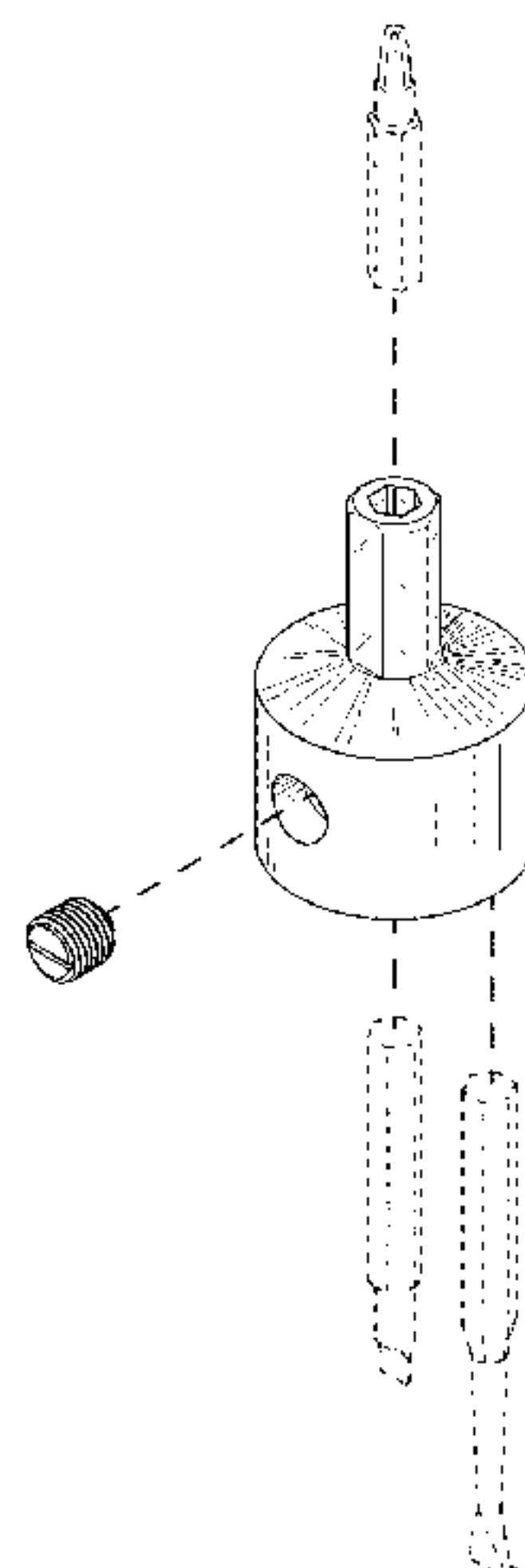
(57) **CLAIM**

The ornamental design for a drill stir stick holder and multi-tool accessory, as shown and described.

DESCRIPTION

FIG. 1 is a top-side perspective view of a drill stir stick holder and multi-tool accessory showing my new design; FIG. 2 is a front elevational view thereof; FIG. 3 is a rear elevational view thereof; FIG. 4 is a left side elevational view thereof; FIG. 5 is a right side elevational view thereof; FIG. 6 is a top plan view thereof; FIG. 7 is a bottom plan view thereof; FIG. 8 is a bottom-side perspective view thereof; and, FIG. 9 is an exploded perspective view of the drill stir stick holder and multi-tool accessory of FIG. 1 illustrated together with a plurality of different tool attachments that may be used with drill stir stick holder and multi-tool. The broken line showing of the tool bit attachments are provided for the purpose of illustrating environmental structures and form no part of the claimed design.

1 Claim, 6 Drawing Sheets



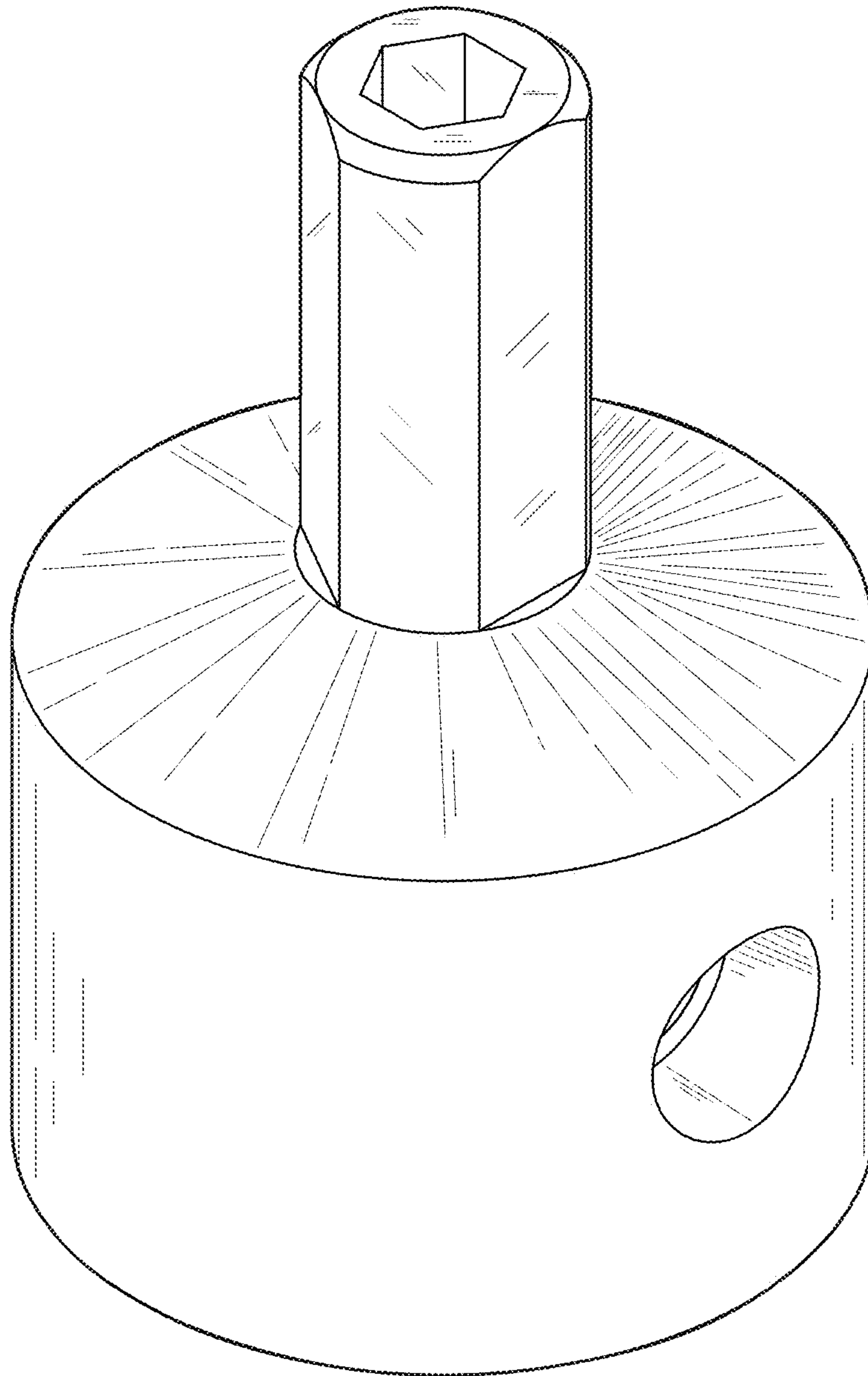


FIG. 1

FIG. 2

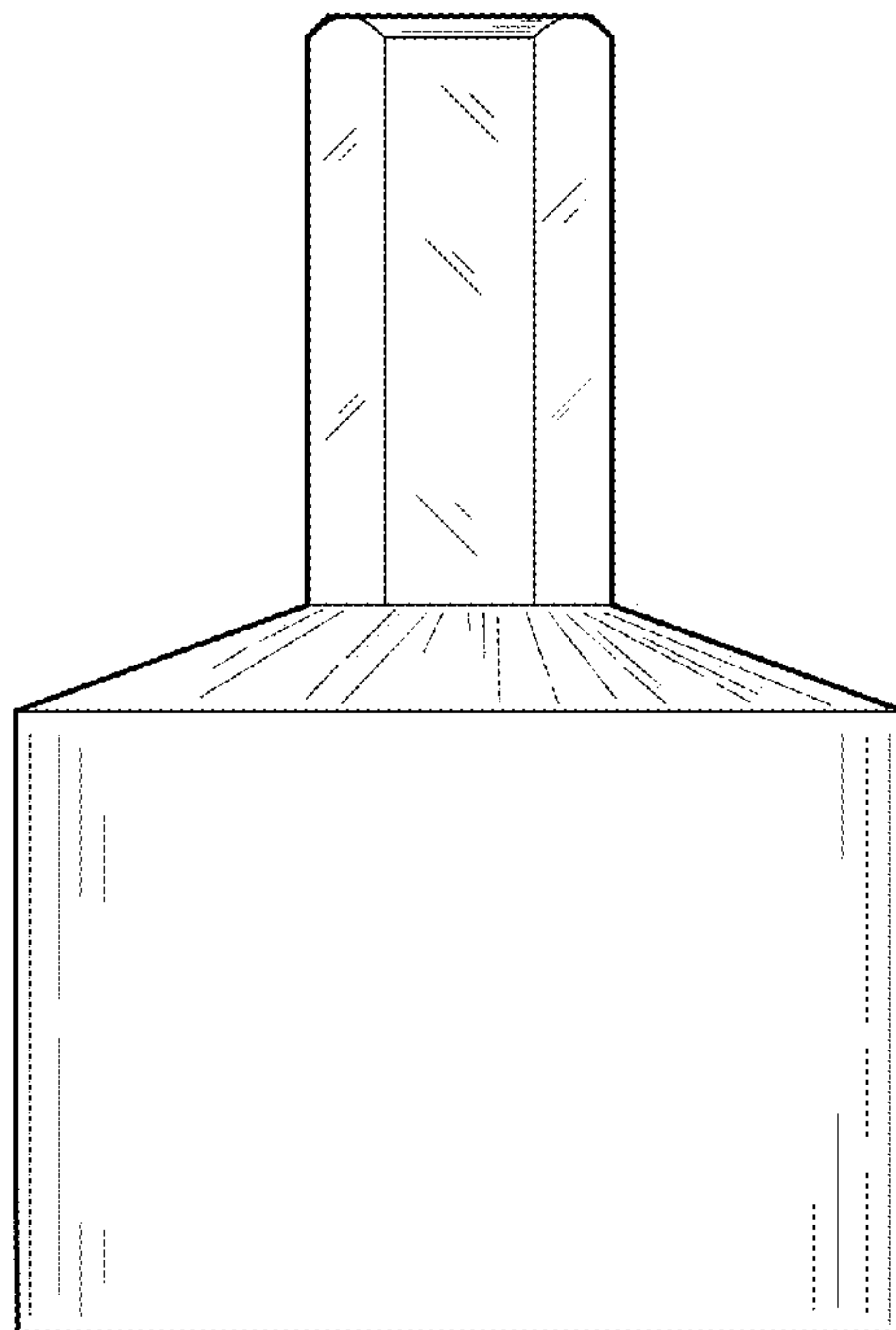
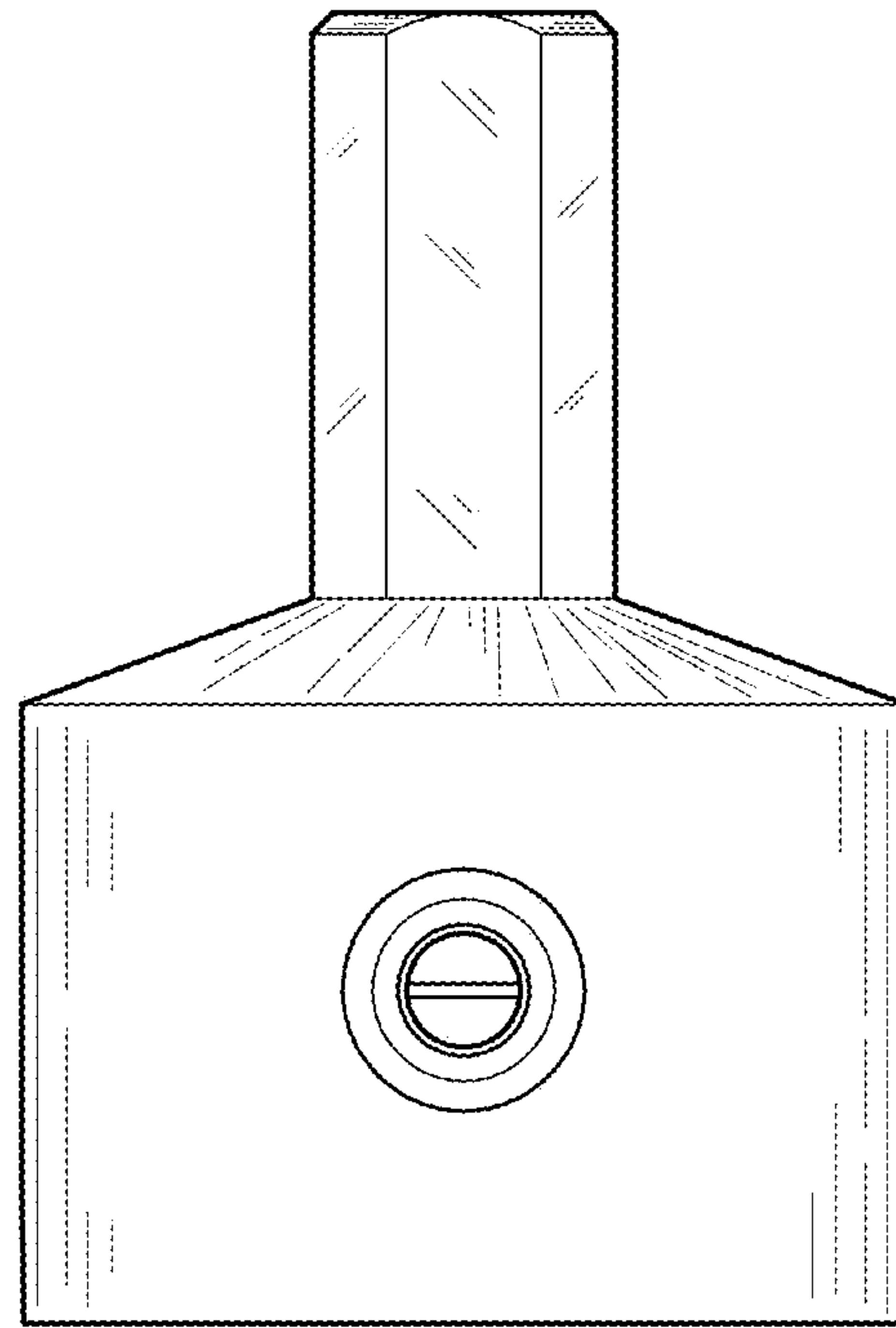


FIG. 3

FIG. 4

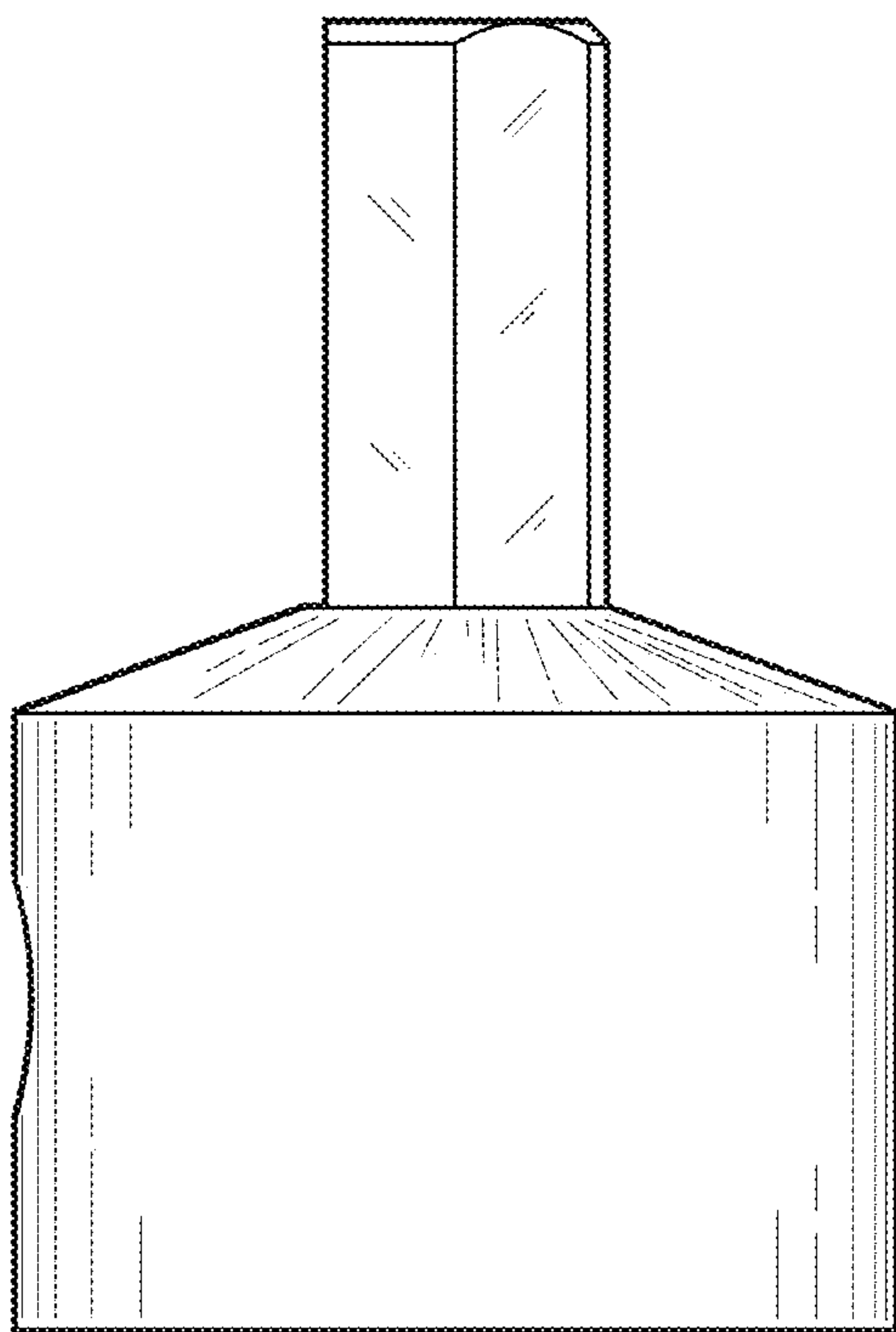
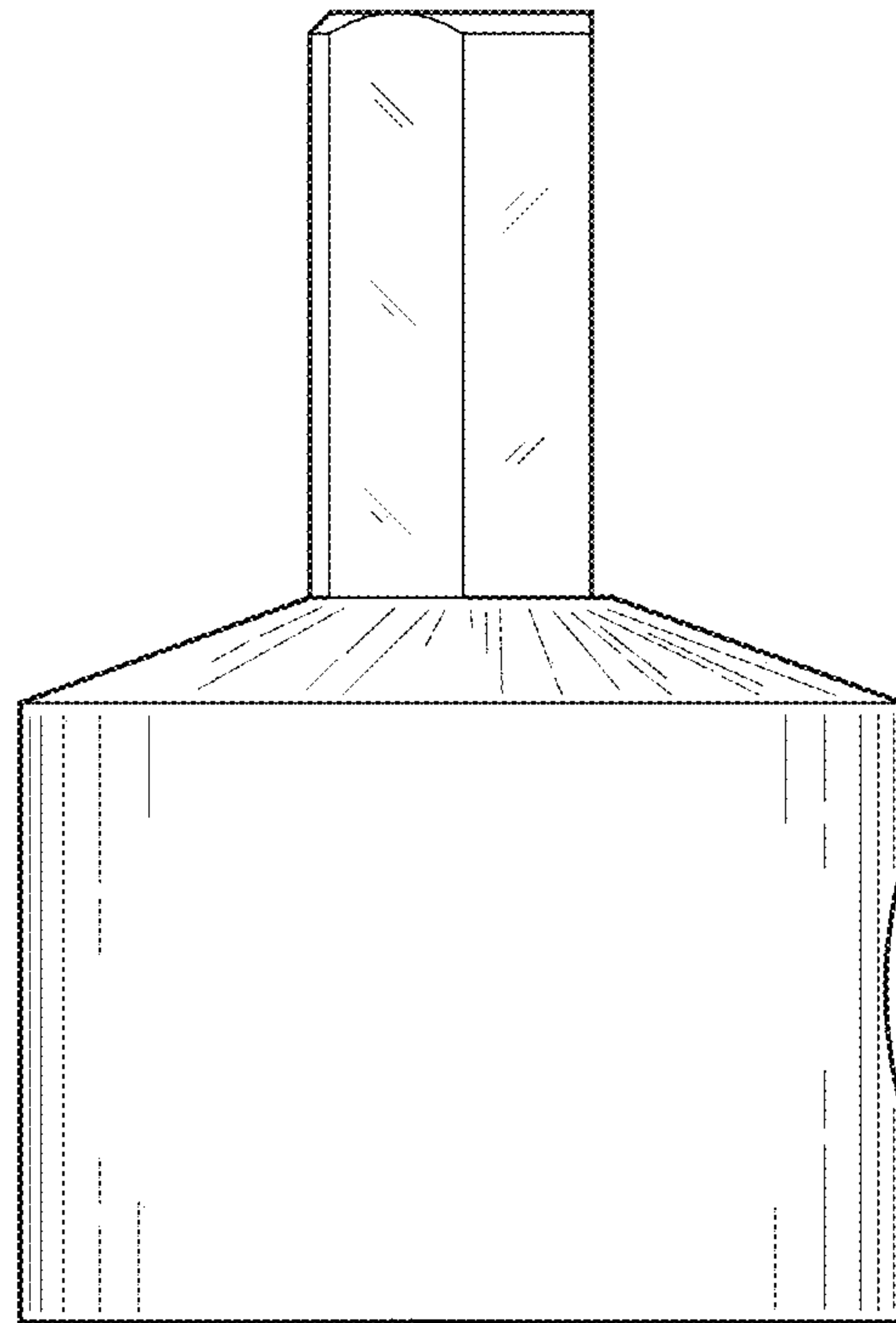


FIG. 5

FIG. 6

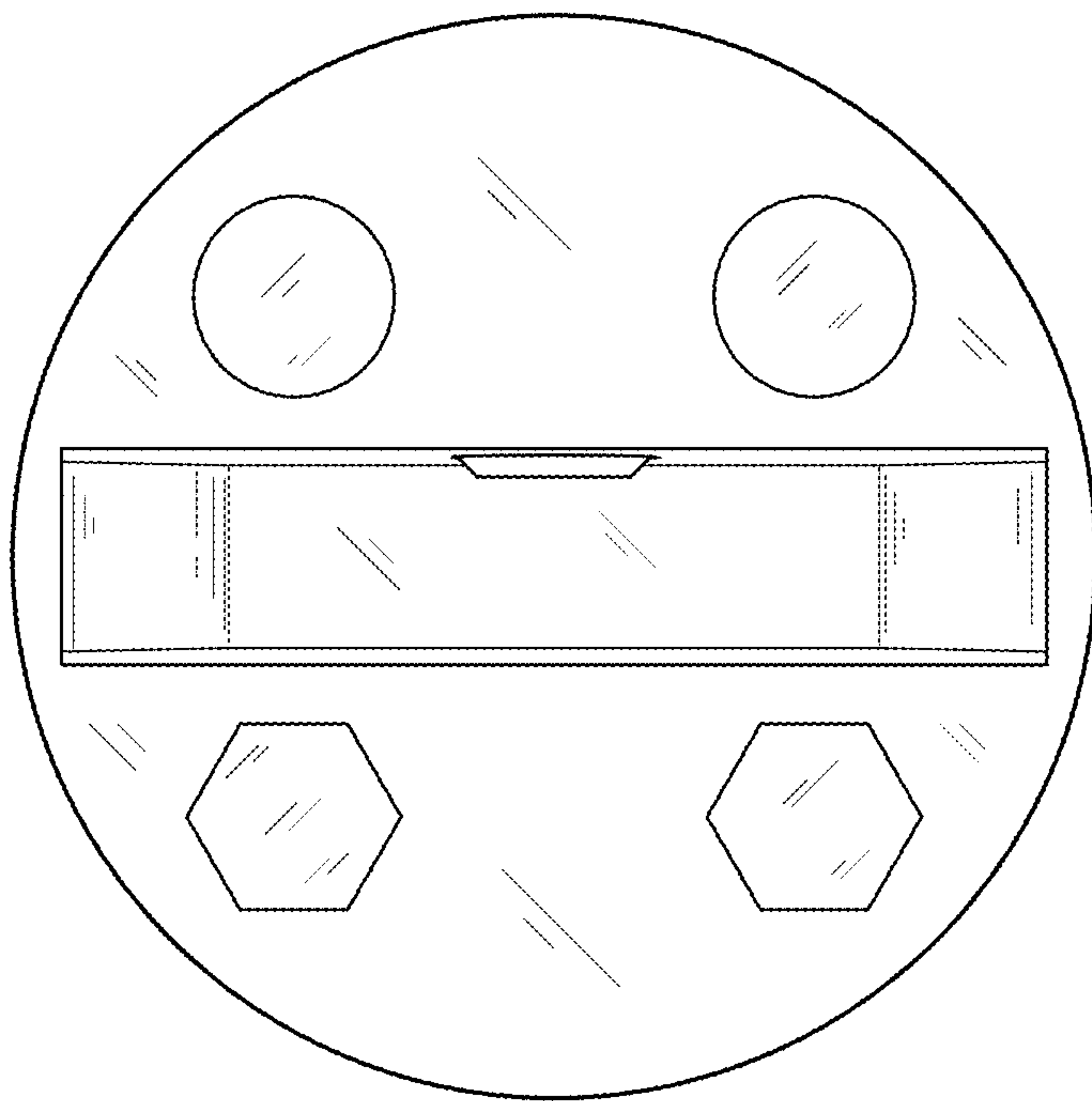
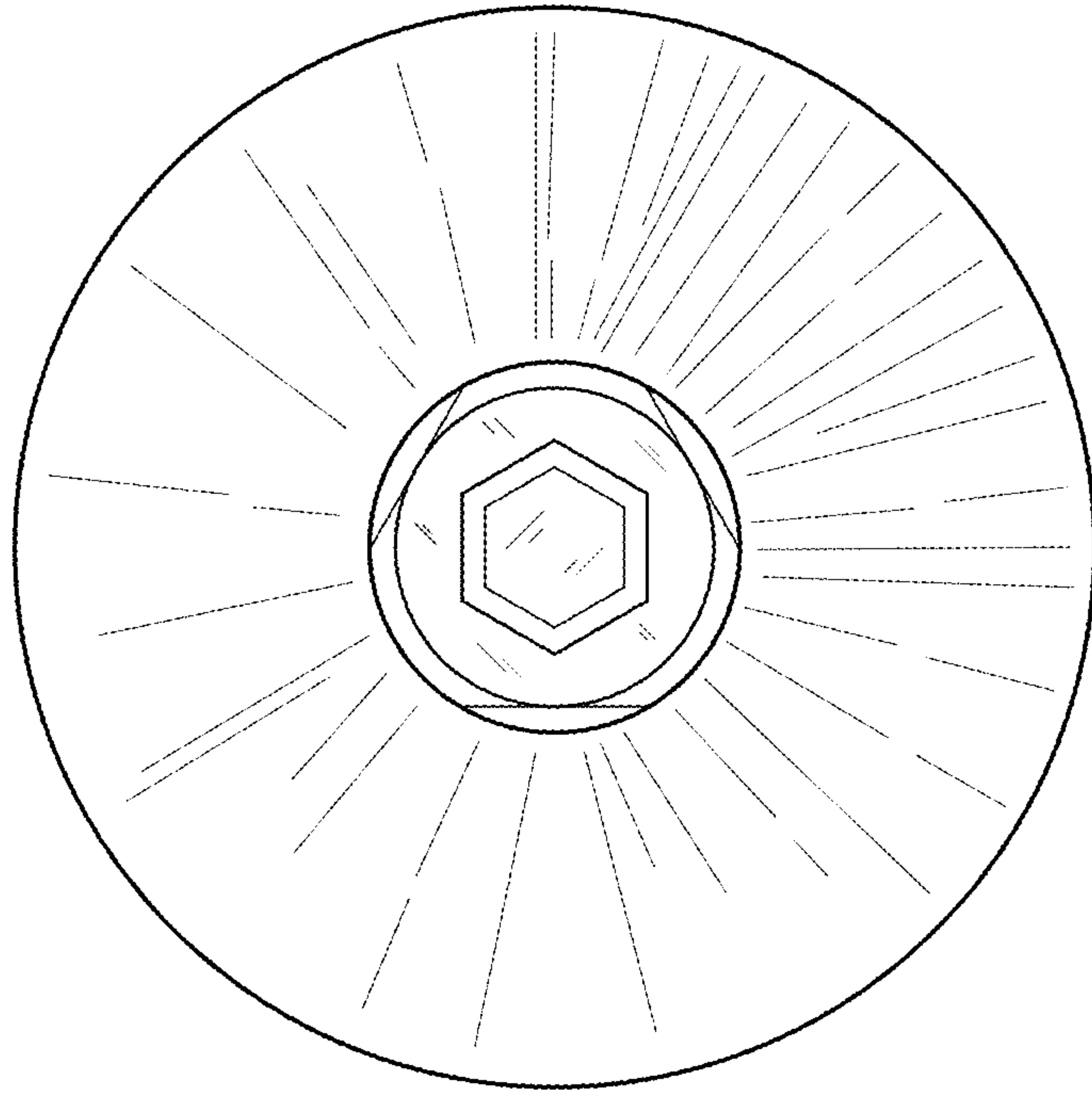


FIG. 7

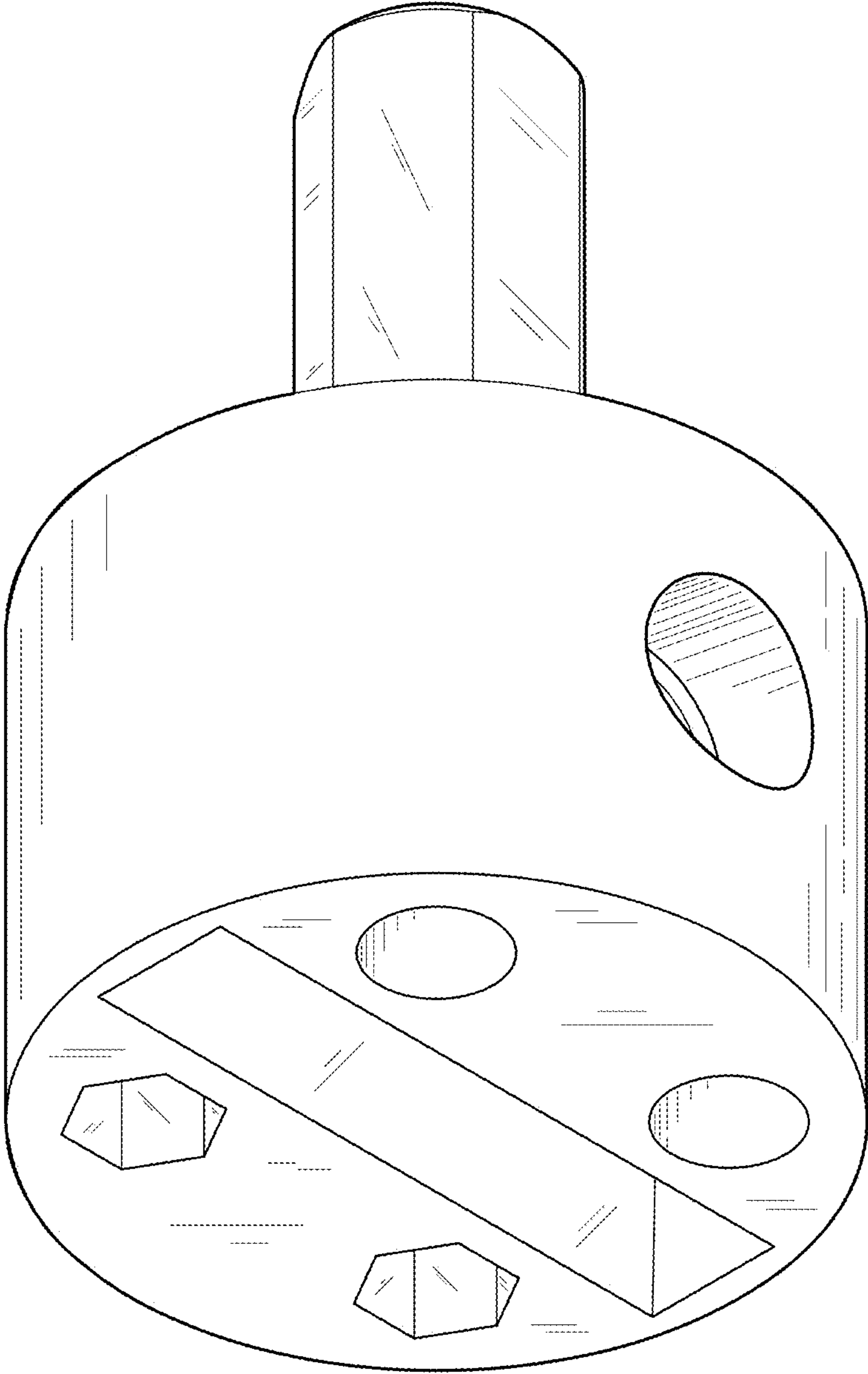


FIG. 8

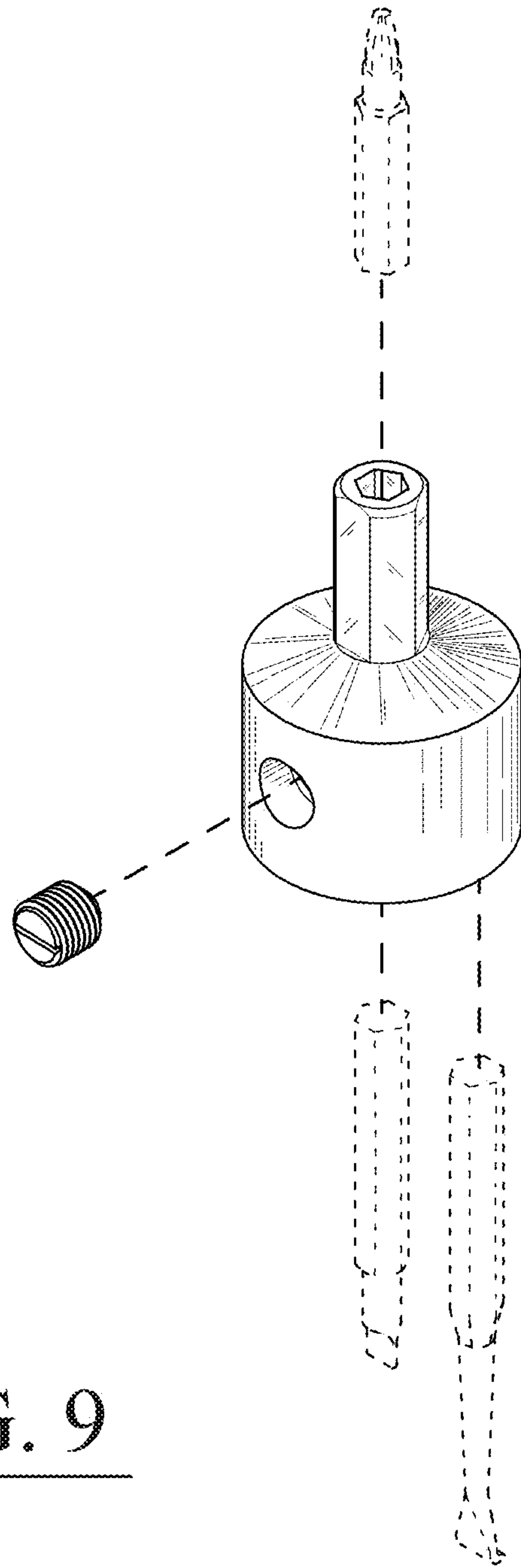


FIG. 9