



US00D946988S

(12) **United States Design Patent**  
**Zahorski**

(10) **Patent No.:** **US D946,988 S**  
(45) **Date of Patent:** **\*\* Mar. 29, 2022**

(54) **CUTTING AND SNIPPING DEVICE**  
(71) Applicant: **Vance P. Zahorski**, Angleton, TX (US)  
(72) Inventor: **Vance P. Zahorski**, Angleton, TX (US)  
(\*\*) Term: **15 Years**

5,385,569 A 1/1995 Michael  
D377,595 S \* 1/1997 Wiezenthal ..... D8/98  
6,018,877 A 2/2000 Greene  
6,029,387 A 2/2000 Swor  
D435,209 S \* 12/2000 Parsons ..... D8/98  
D457,934 S 5/2002 Coq  
(Continued)

(21) Appl. No.: **29/757,636**  
(22) Filed: **Nov. 7, 2020**  
(51) **LOC (13) Cl.** ..... **08-03**  
(52) **U.S. Cl.**  
USPC ..... **D8/55**; D8/98  
(58) **Field of Classification Search**  
USPC ..... D8/14, 98, 99, 51, 52, 55, 57, 105  
CPC ..... B26B 5/00; B26B 27/005; B26B 3/00;  
B26B 11/006; B26B 3/08; B26B 13/10;  
B26B 13/20; B26B 13/12; B26B 13/06;  
B26B 13/04  
See application file for complete search history.

**FOREIGN PATENT DOCUMENTS**

DE 102006023334 B4 4/2008  
*Primary Examiner* — Philip S Hyder  
(74) *Attorney, Agent, or Firm* — Thomas W. Galvani,  
P.C.; Thomas W. Galvani

(57) **CLAIM**

The ornamental design for a cutting and snipping device, as shown and described.

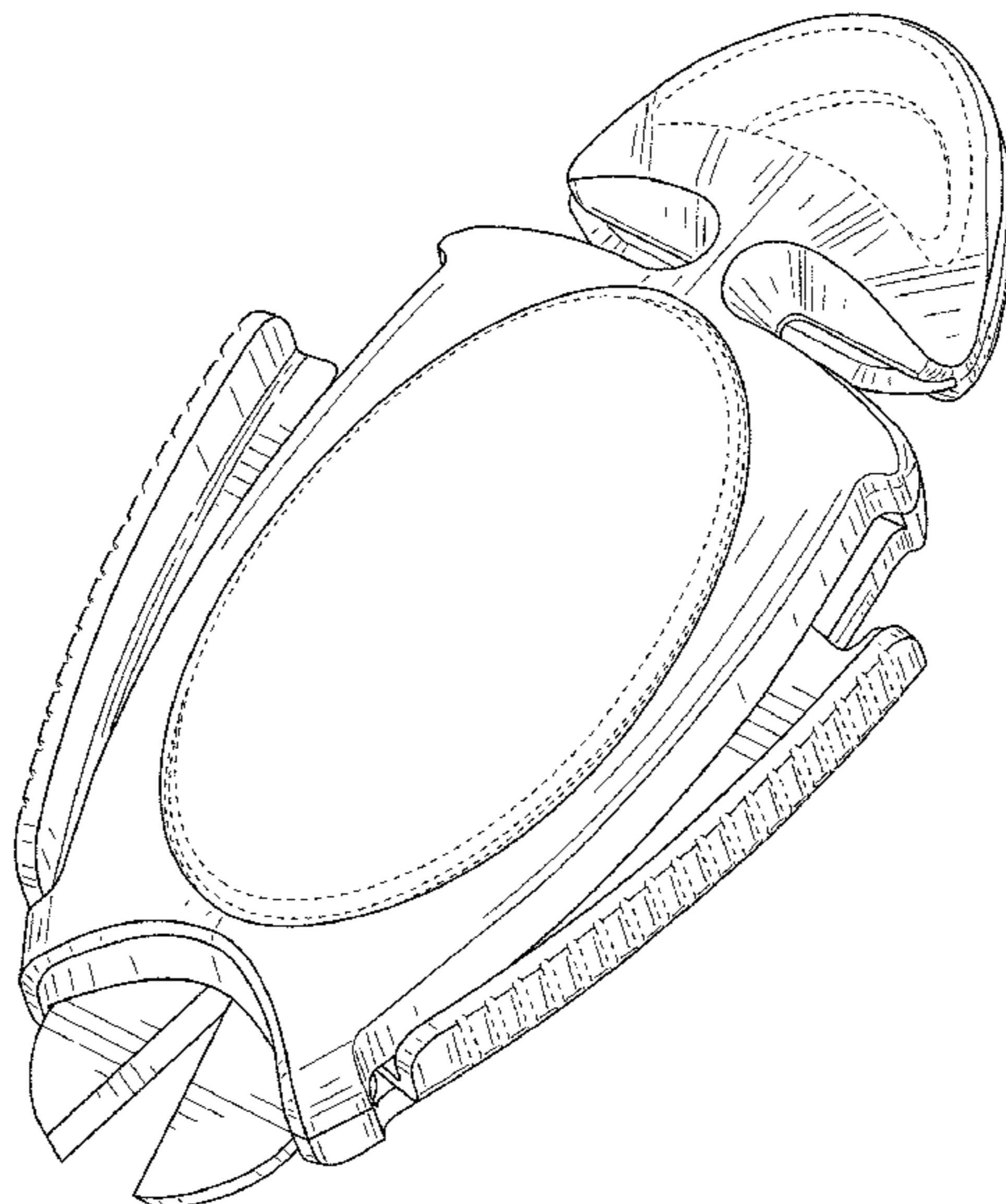
**DESCRIPTION**

FIG. 1 is a top perspective view of a cutting and snipping device shown in accordance with my new design;  
FIG. 2 is a bottom perspective view of the cutting and snipping device shown in FIG. 1;  
FIG. 3 is a top plan view of the cutting and snipping device shown in FIG. 1;  
FIG. 4 is a bottom plan view of the cutting and snipping device shown in FIG. 1;  
FIG. 5 is a front elevation view of the cutting and snipping device shown in FIG. 1;  
FIG. 6 is a rear elevation view of the cutting and snipping device shown in FIG. 1;  
FIG. 7 is a left side elevation view of the cutting and snipping device shown in FIG. 1; and,  
FIG. 8 is a right side elevation view of the cutting and snipping device shown in FIG. 1.  
The features shown in broken lines are for the purposes of showing portions of the design which form no part of the claimed design.

(56) **References Cited**  
**U.S. PATENT DOCUMENTS**

611,313 A 9/1898 Crandall  
647,862 A 4/1900 McLaughlin  
1,060,773 A 5/1913 Stephen  
1,165,697 A 12/1915 Morrell  
1,379,864 A 5/1921 Gregory  
1,497,077 A 6/1924 Freeman  
1,521,051 A 12/1924 Shiba  
2,707,828 A 5/1955 Stewart  
4,726,140 A 2/1988 Mears  
4,730,409 A 3/1988 Mitchell et al.  
4,823,498 A 4/1989 Banta  
4,896,422 A 1/1990 Sheehan et al.  
D314,606 S 2/1991 Banta  
5,025,585 A 6/1991 Powell  
5,038,479 A 8/1991 Davis  
D325,240 S 4/1992 Ellis  
D332,651 S 1/1993 Sugerman  
5,182,874 A 2/1993 Powell  
5,301,432 A 4/1994 Richardson et al.

**1 Claim, 6 Drawing Sheets**



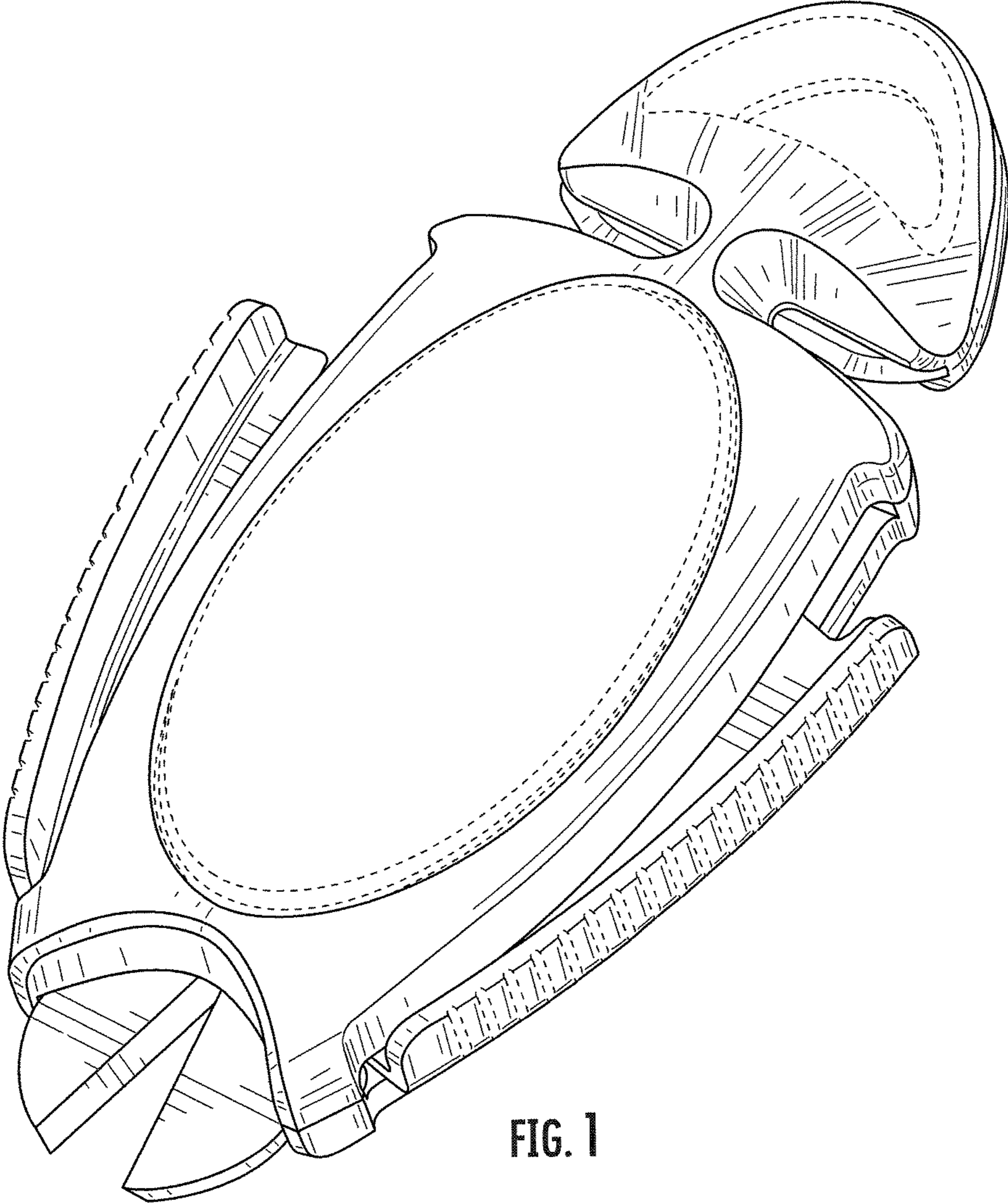
(56)

**References Cited**

## U.S. PATENT DOCUMENTS

D474,392	S	*	5/2003	Lang	.....	D8/98
D488,532	S		4/2004	Boone et al.		
D498,404	S	*	11/2004	Schmidt	.....	D8/98
D503,323	S	*	3/2005	Hasegawa	.....	D8/57
D539,318	S	*	3/2007	Oas	.....	D16/135
D610,432	S	*	2/2010	Siegel	.....	D8/104
D619,674	S		7/2010	Marlin		
D628,030	S	*	11/2010	Mullen	.....	D8/5
D632,248	S		2/2011	Cacioppo et al.		
D636,248	S	*	4/2011	Still	.....	D8/98
7,958,639	B2		6/2011	Ireland et al.		
D649,001	S		11/2011	Still		
D665,869	S		8/2012	Kuhlmann		
D687,287	S		8/2013	Chen		
D692,288	S	*	10/2013	Locklear	.....	D8/98
D714,611	S		10/2014	Chen		
9,289,905	B2		3/2016	Cornell et al.		
9,346,177	B2	*	5/2016	Mayes	.....	B63C 11/02
D767,710	S		9/2016	Zahorski		
9,446,528	B1		9/2016	Zahorski		
D767,966	S		10/2016	Standlee		
D802,394	S		11/2017	Chen		
D817,135	S	*	5/2018	Huesman	.....	D8/57
9,969,091	B2		5/2018	Jacobs et al.		
D835,750	S		12/2018	Zahorski		
D859,121	S		9/2019	Zahorski		
2002/0124417	A1		9/2002	Cruz		
2006/0060040	A1		3/2006	Wichner		
2007/0101583	A1	*	5/2007	Tsai	.....	B26B 13/12 30/244
2010/0050690	A1		3/2010	Woodward		
2010/0299941	A1		12/2010	Marlin		
2013/0031935	A1		2/2013	Kelleghan		

\* cited by examiner



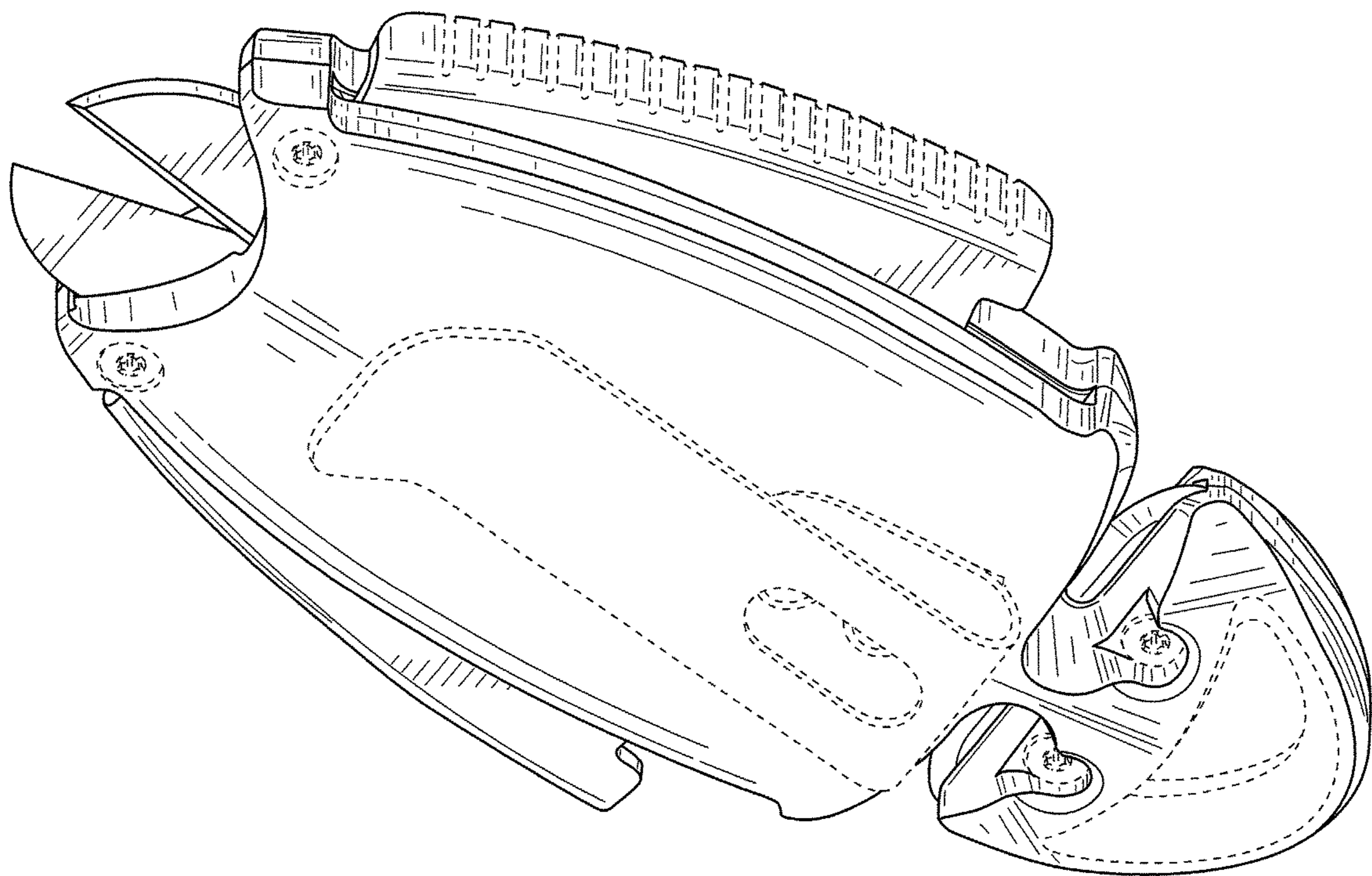


FIG. 2

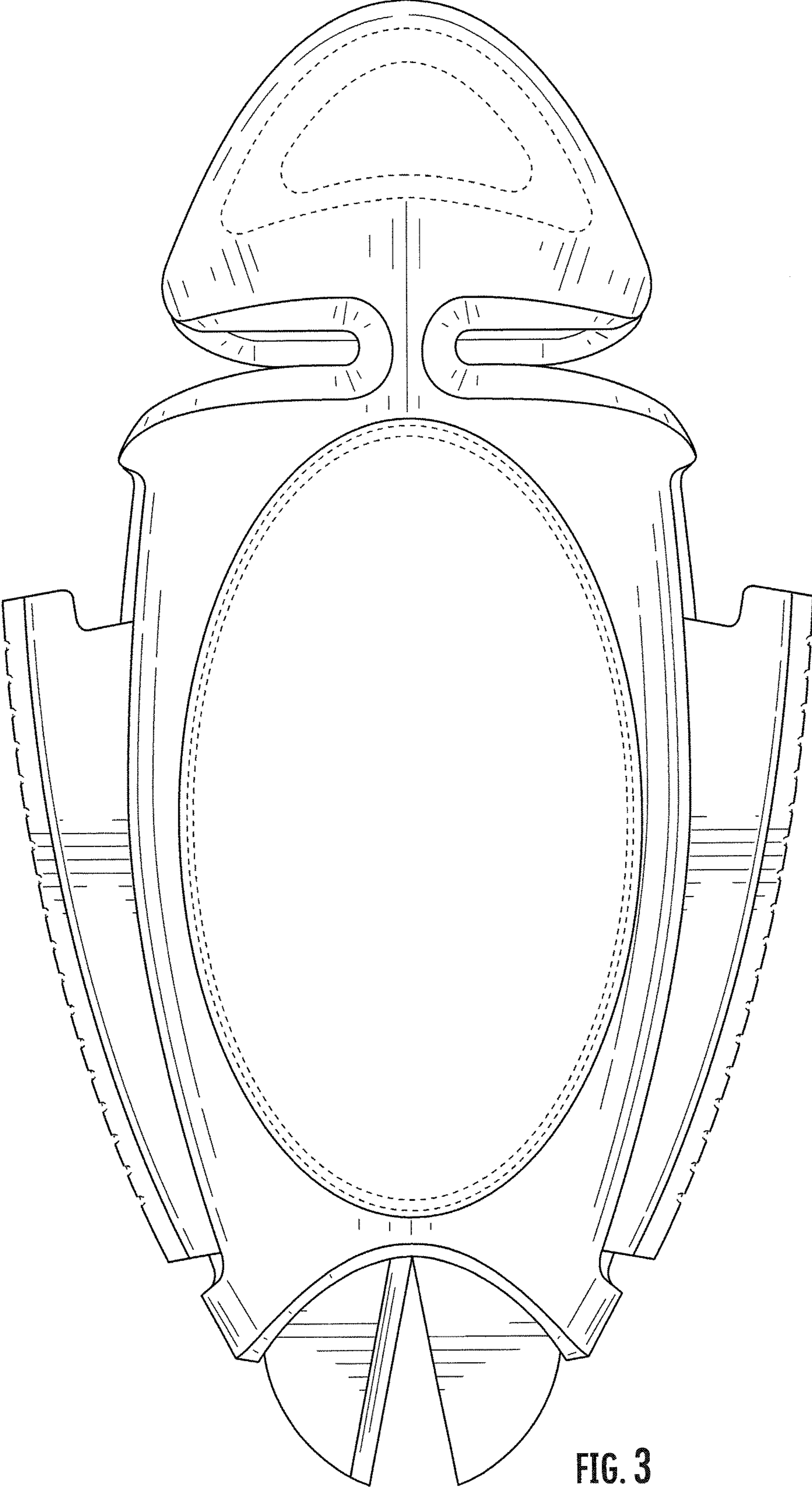


FIG. 3

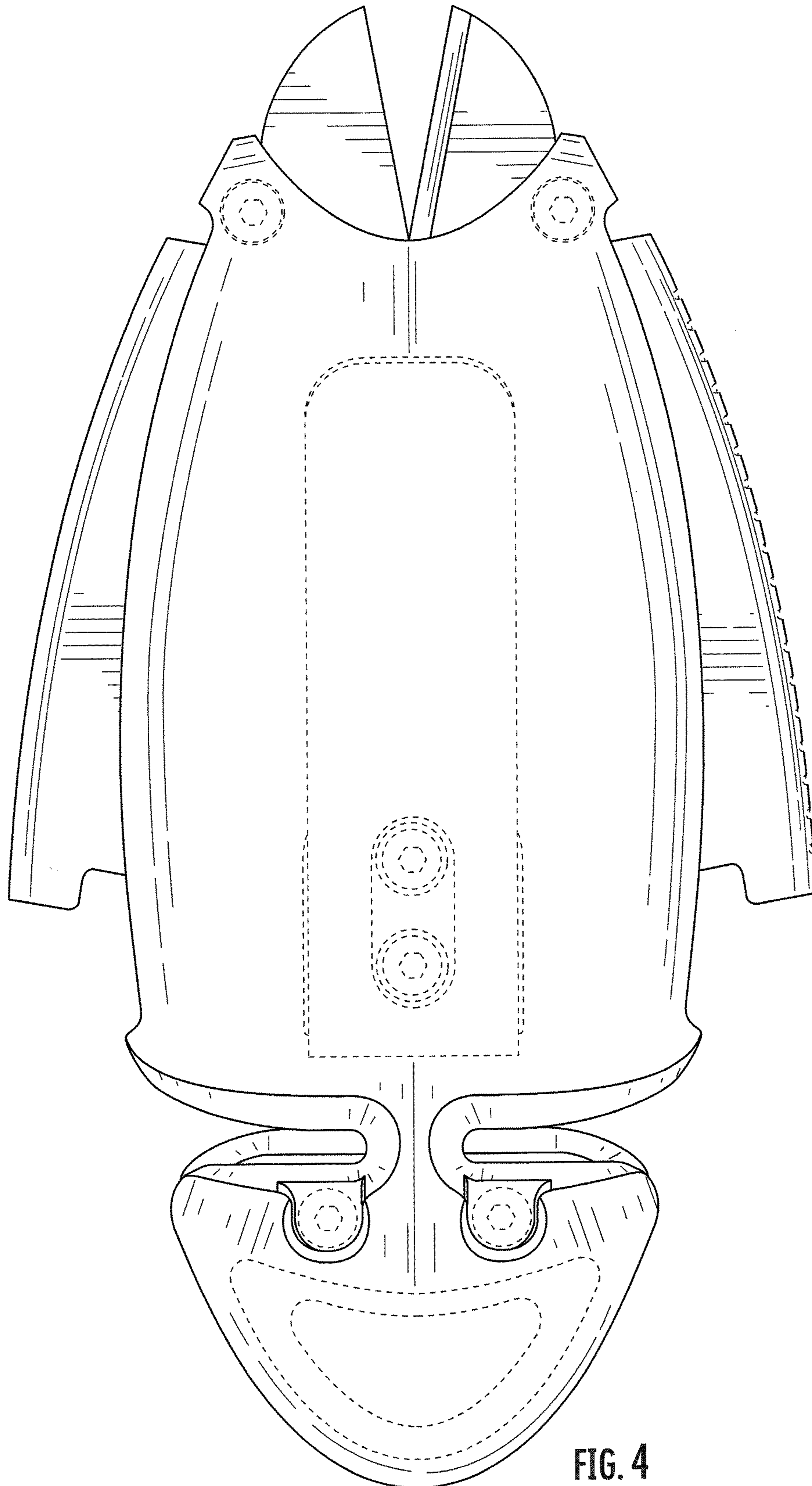


FIG. 4

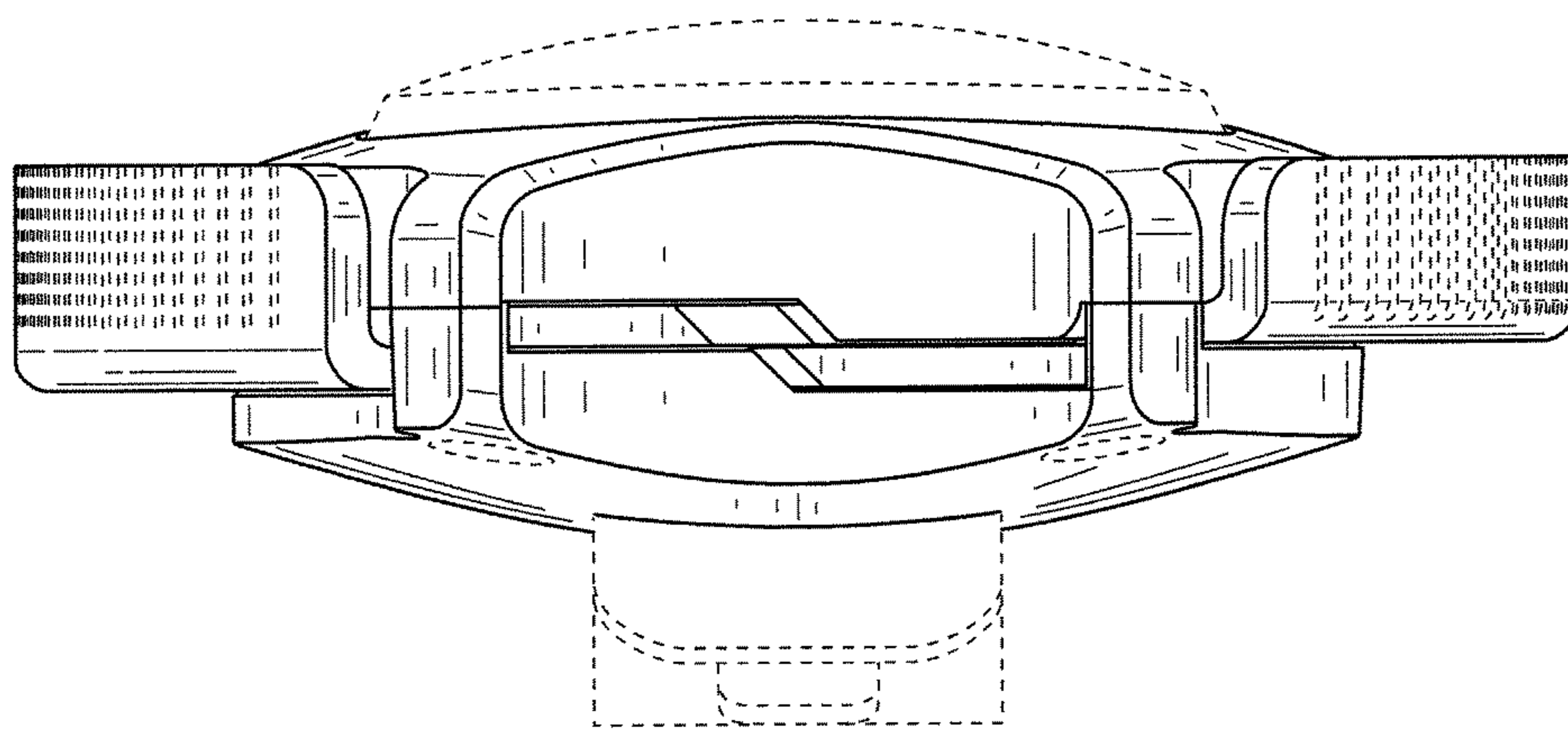


FIG. 5

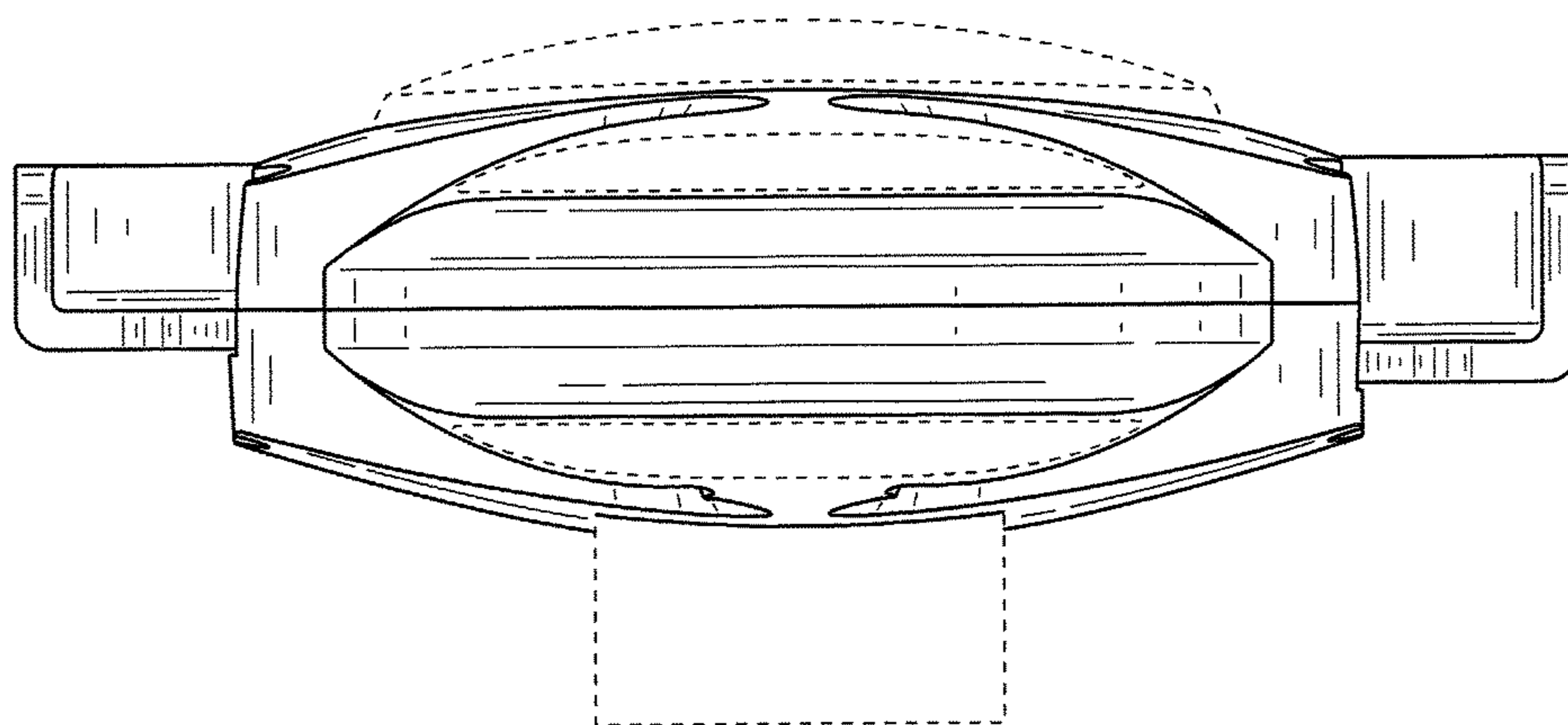


FIG. 6

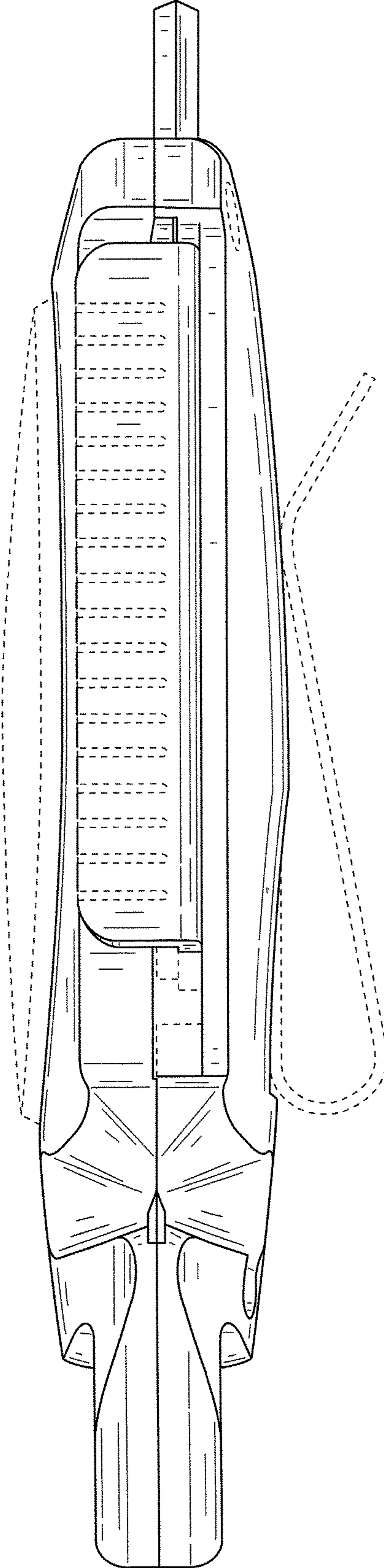


FIG. 7

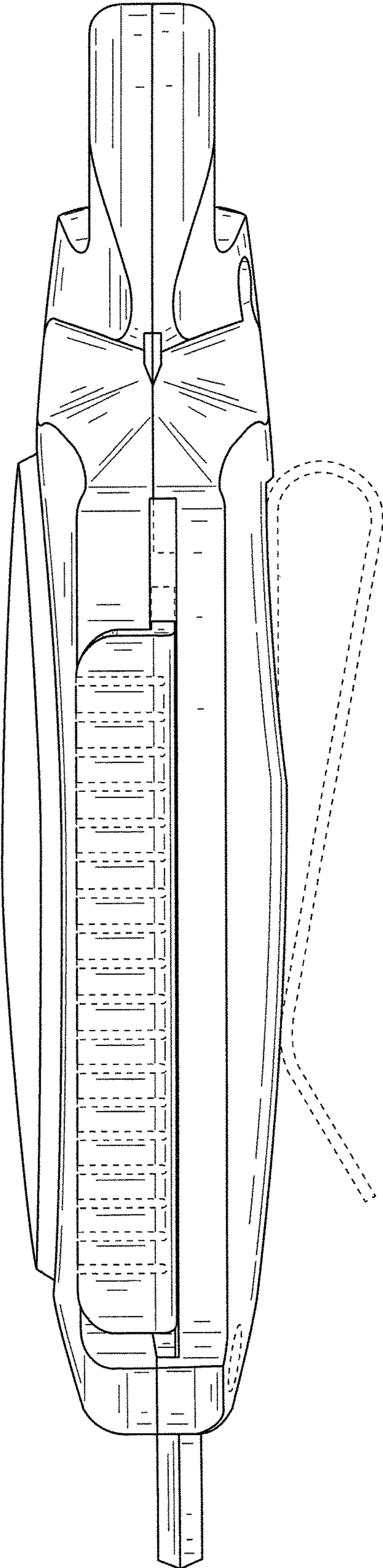


FIG. 8