



US00D946986S

(12) **United States Design Patent**
Nakamura

(10) **Patent No.:** **US D946,986 S**
(45) **Date of Patent:** **** Mar. 29, 2022**

(54) **STAPLER**

(71) Applicant: **MAX CO., LTD.**, Tokyo (JP)

(72) Inventor: **Katsuya Nakamura**, Tokyo (JP)

(73) Assignee: **MAX CO., LTD.**, Tokyo (JP)

(**) Term: **15 Years**

(21) Appl. No.: **29/759,844**

(22) Filed: **Nov. 25, 2020**

(30) **Foreign Application Priority Data**

May 26, 2020 (JP) 2020010331D

(51) **LOC (13) Cl.** **19-02**

(52) **U.S. Cl.**
USPC **D8/50; D8/49**

(58) **Field of Classification Search**
USPC D8/49, 50, 61, 68, 69; D19/72, 73, 65,
D19/69; D21/532; D24/145; 7/158,
7/160; 227/4, 5, 6, 7, 8, 120, 127, 128,
227/131, 132, 134, 144, 156, 175.1;
606/139, 143, 153, 219
CPC B25C 5/0228; B25C 5/15
See application file for complete search history.

(56) **References Cited**

U.S. PATENT DOCUMENTS

D441,796 S * 5/2001 Chan D19/73
D512,290 S * 12/2005 Adams D19/72

D512,461 S * 12/2005 Tsuruha D19/73
D512,616 S * 12/2005 Harris D19/72
D512,617 S * 12/2005 Adams D19/72
D512,890 S * 12/2005 Harris D19/72
D514,410 S * 2/2006 Adams D8/49
D515,893 S * 2/2006 Adams D8/49
D516,888 S * 3/2006 Harris D19/72
D522,825 S * 6/2006 Adams D8/49
D535,168 S * 1/2007 Hattori D8/50
D913,065 S * 3/2021 Chan D8/50
2002/0166884 A1 * 11/2002 Luo B25C 5/0228
227/131

* cited by examiner

Primary Examiner — Austin Murphy

(74) *Attorney, Agent, or Firm* — Weihrouch IP

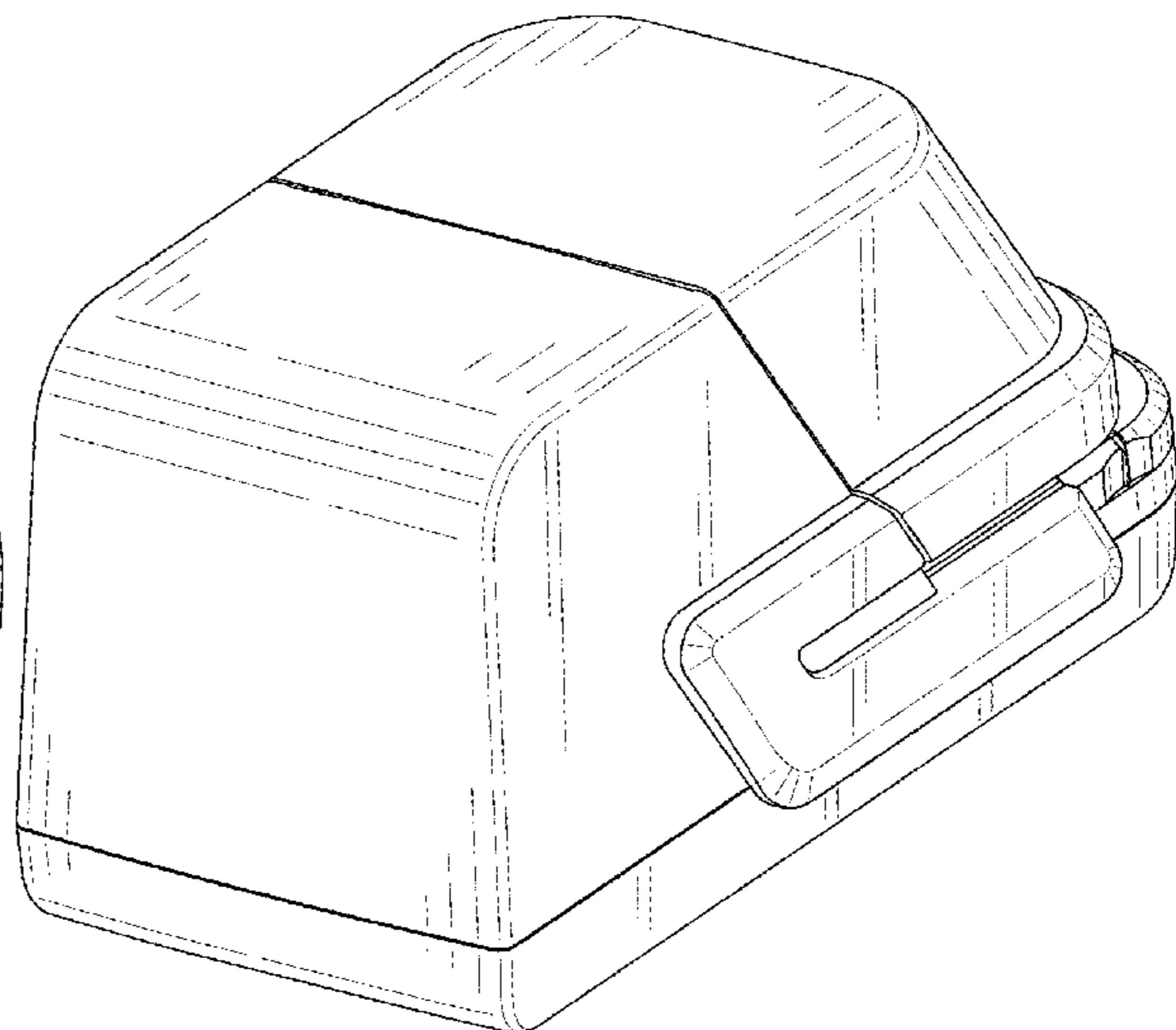
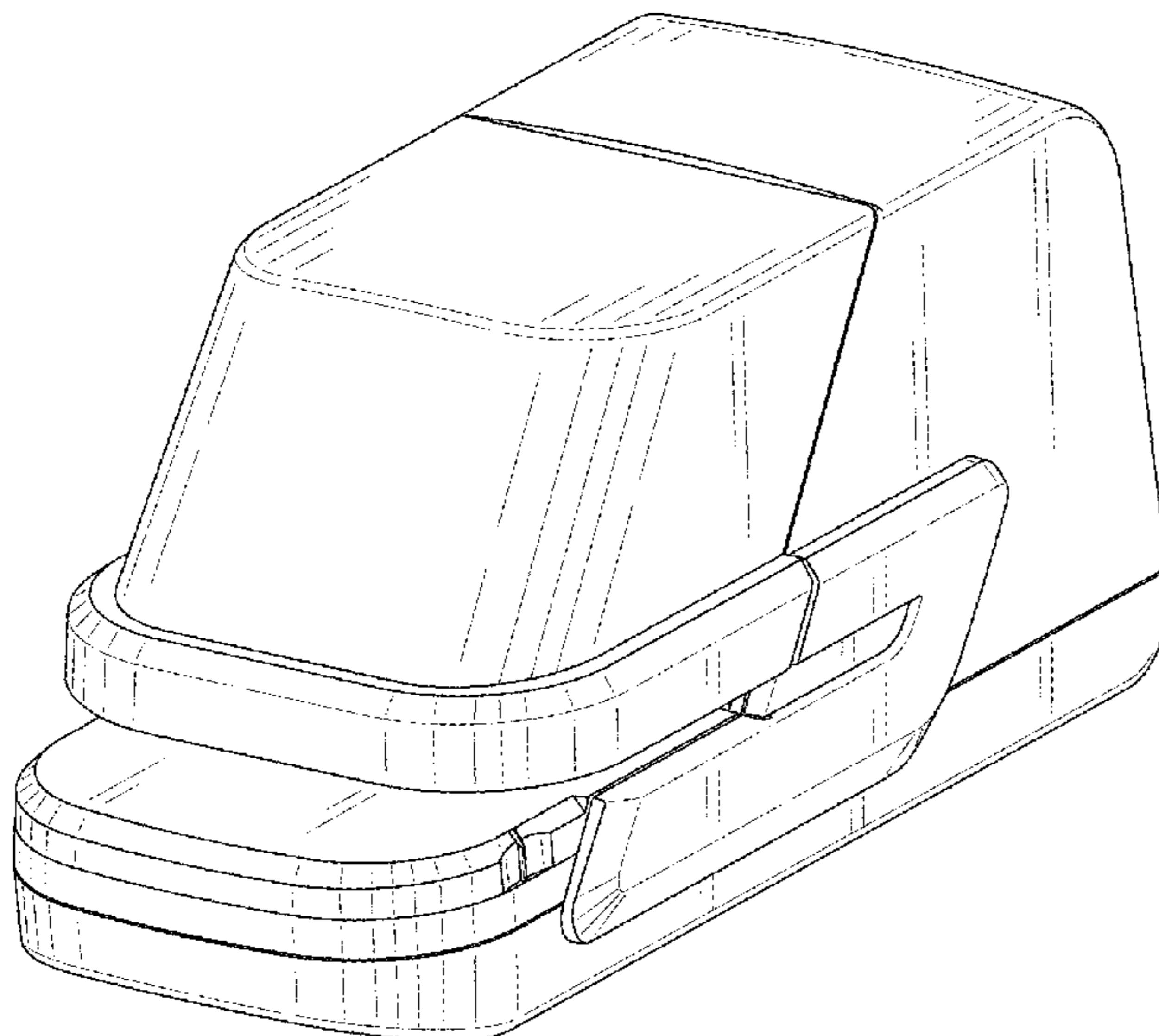
(57) **CLAIM**

The ornamental design for a stapler, as shown and described.

DESCRIPTION

FIG. 1 is a perspective view of the front, top and right side of a stapler showing my new design;
FIG. 2 is a perspective view of the rear, top and left side thereof;
FIG. 3 is a right side view thereof;
FIG. 4 is a left side view thereof;
FIG. 5 is a front view thereof;
FIG. 6 is a rear view thereof;
FIG. 7 is a top view thereof; and,
FIG. 8 is a bottom view thereof.

1 Claim, 5 Drawing Sheets



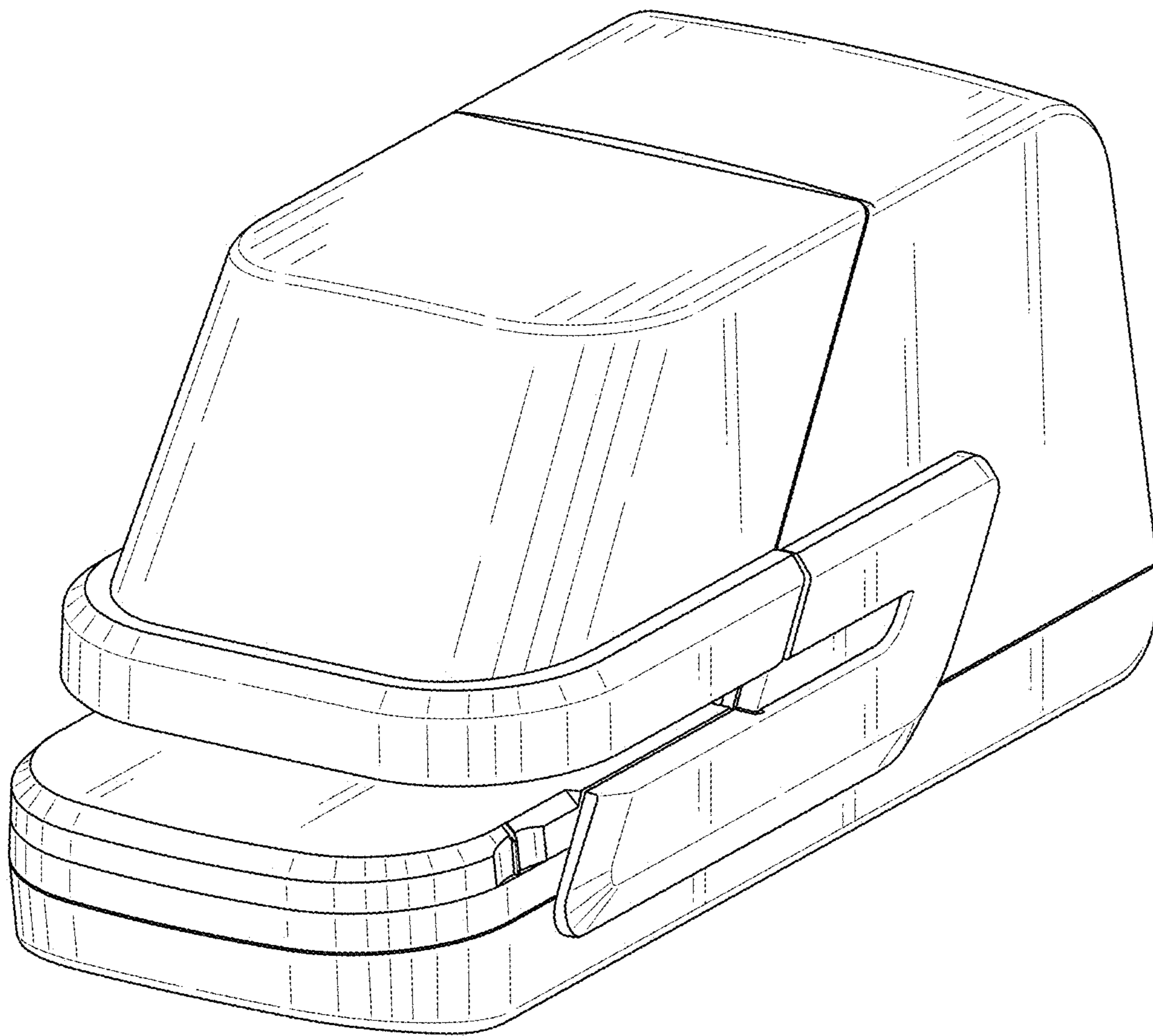


FIG. 1

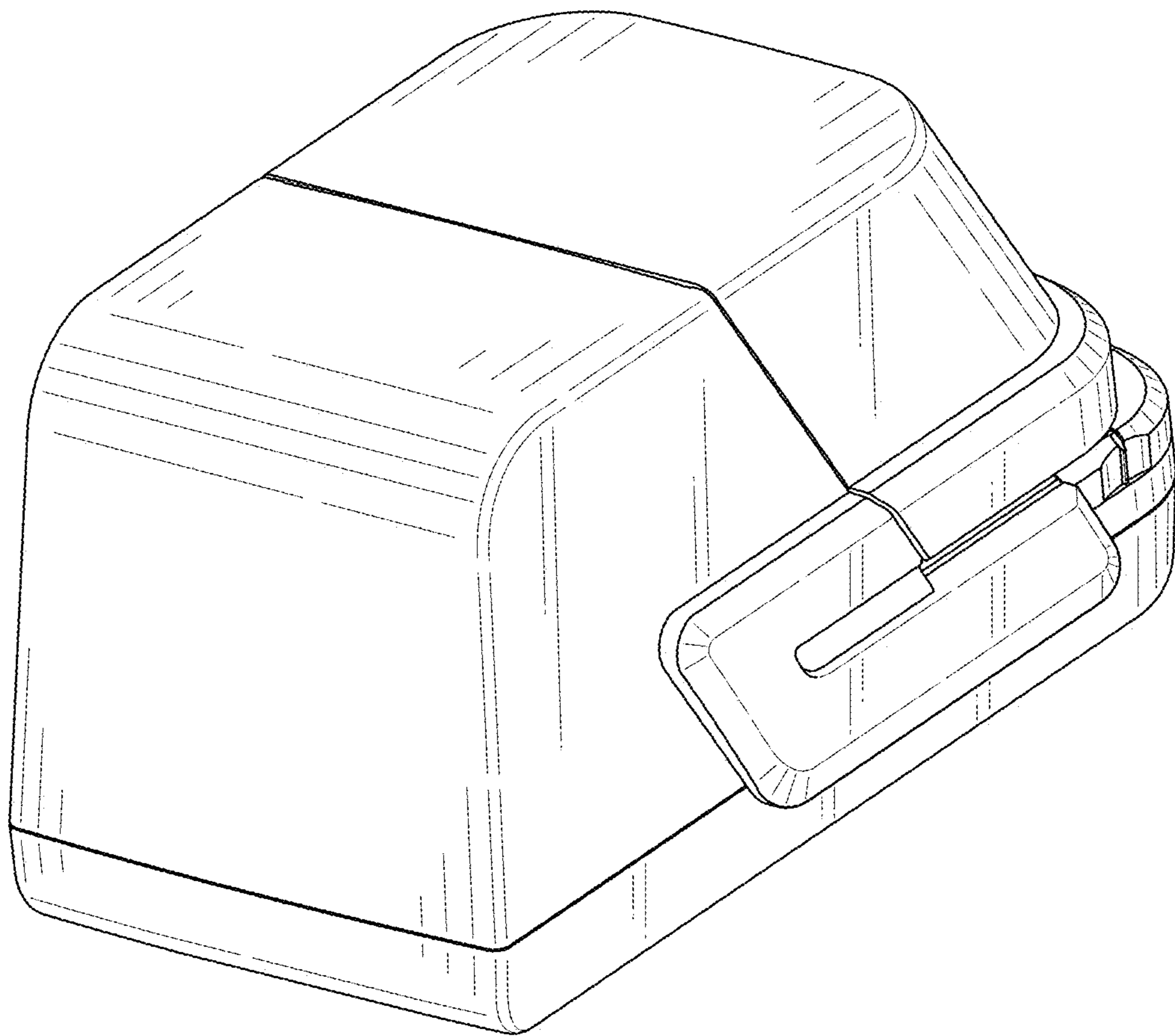


FIG. 2

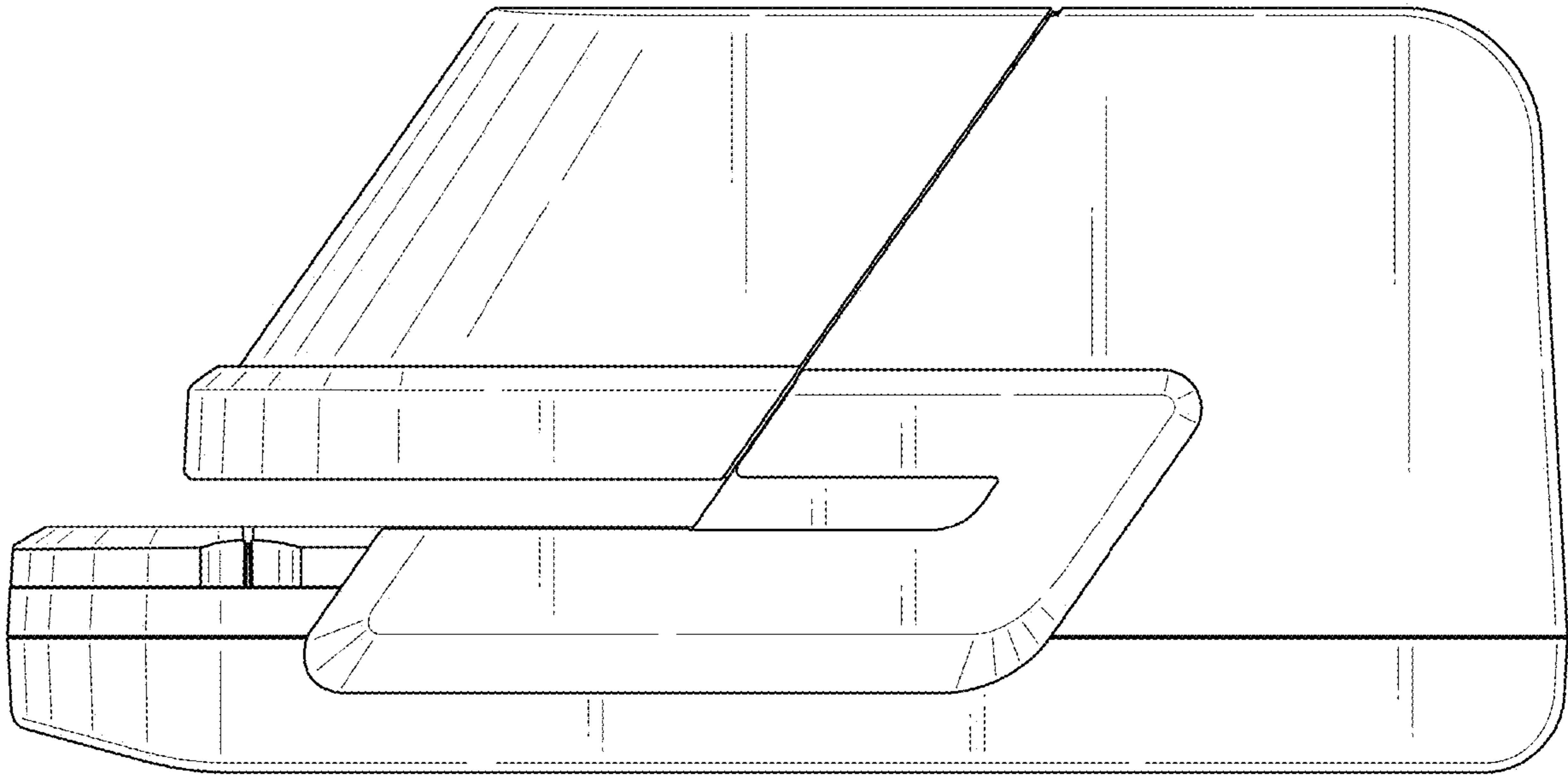


FIG. 3

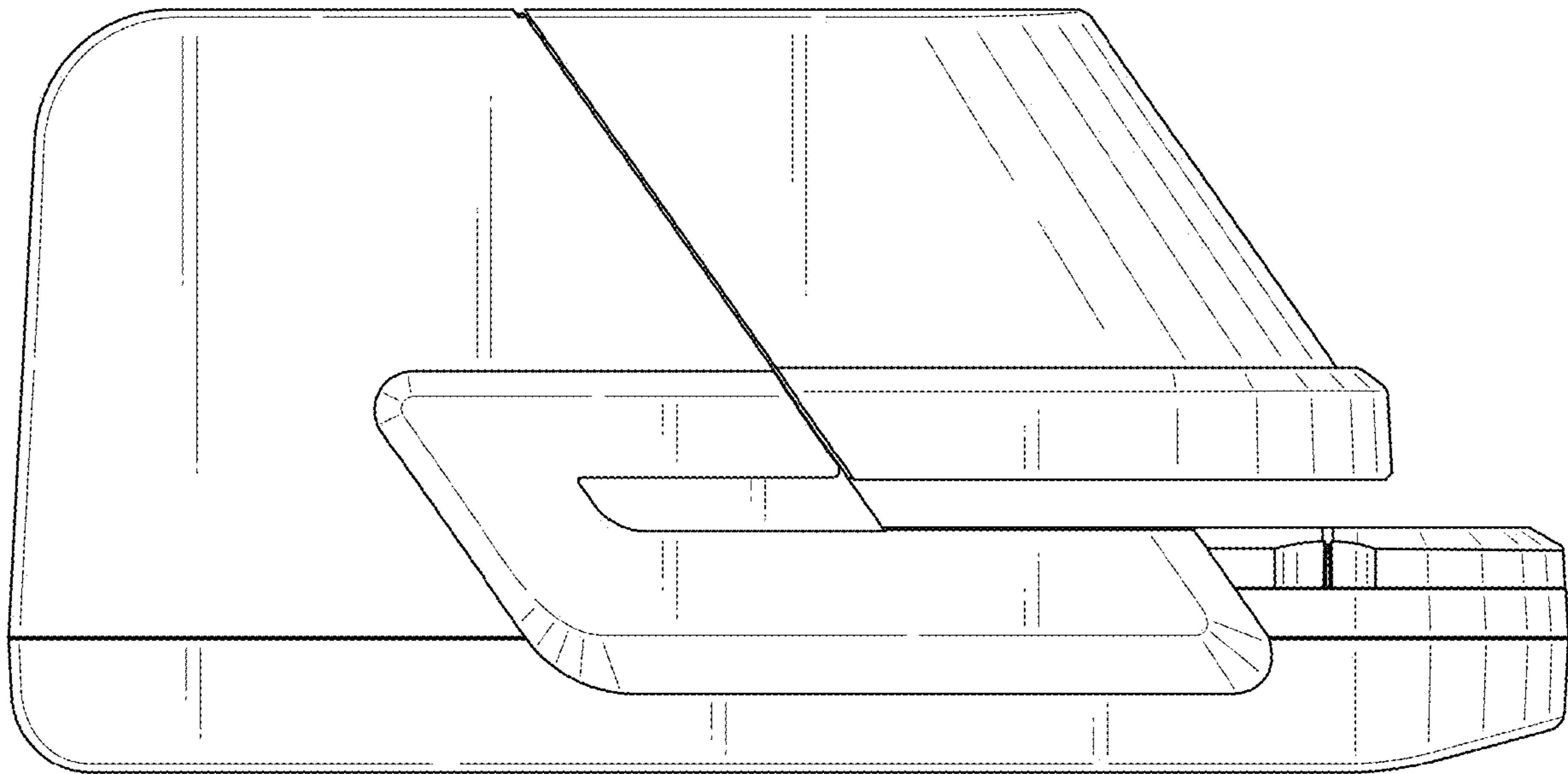


FIG. 4

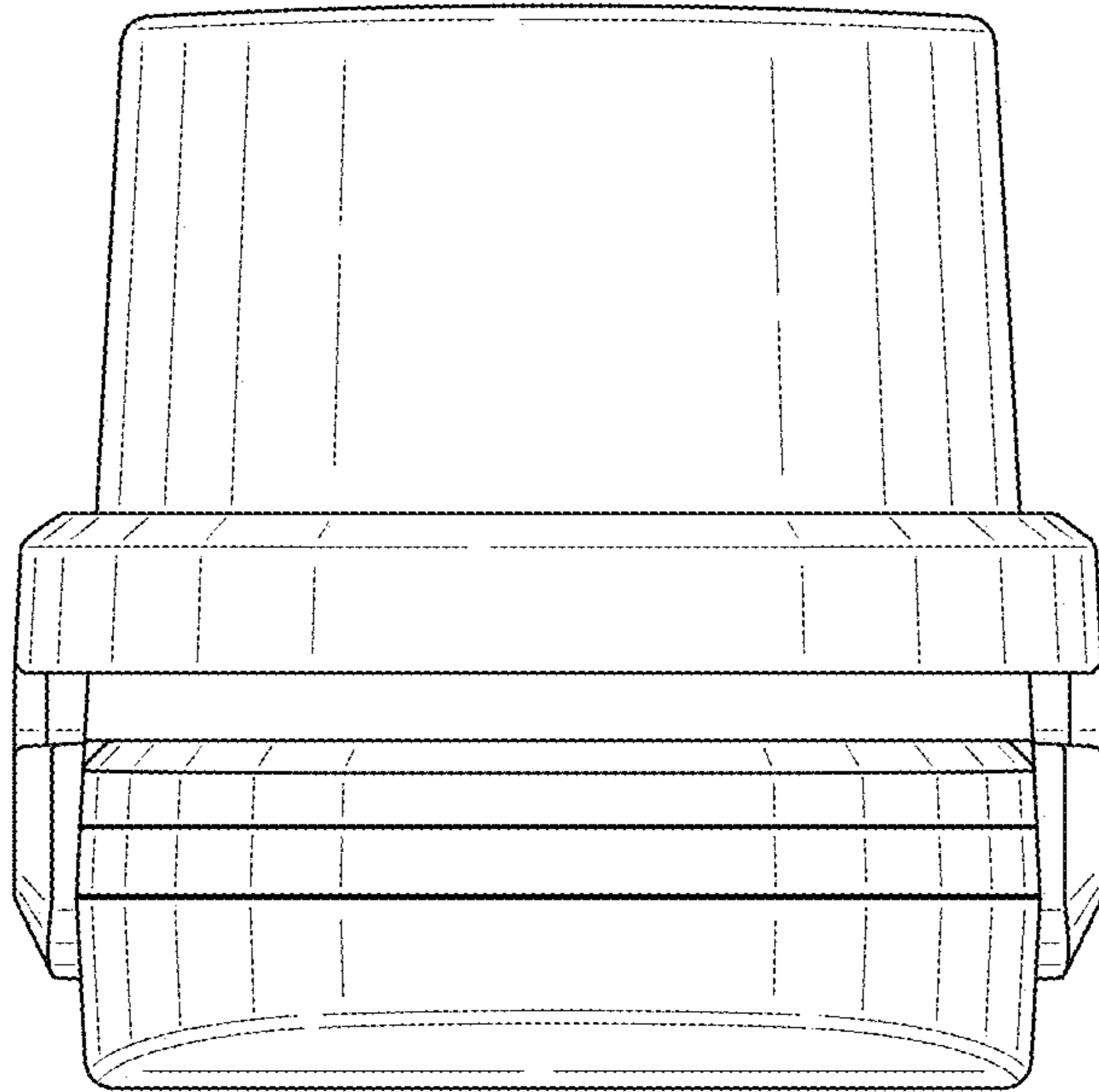


FIG. 5

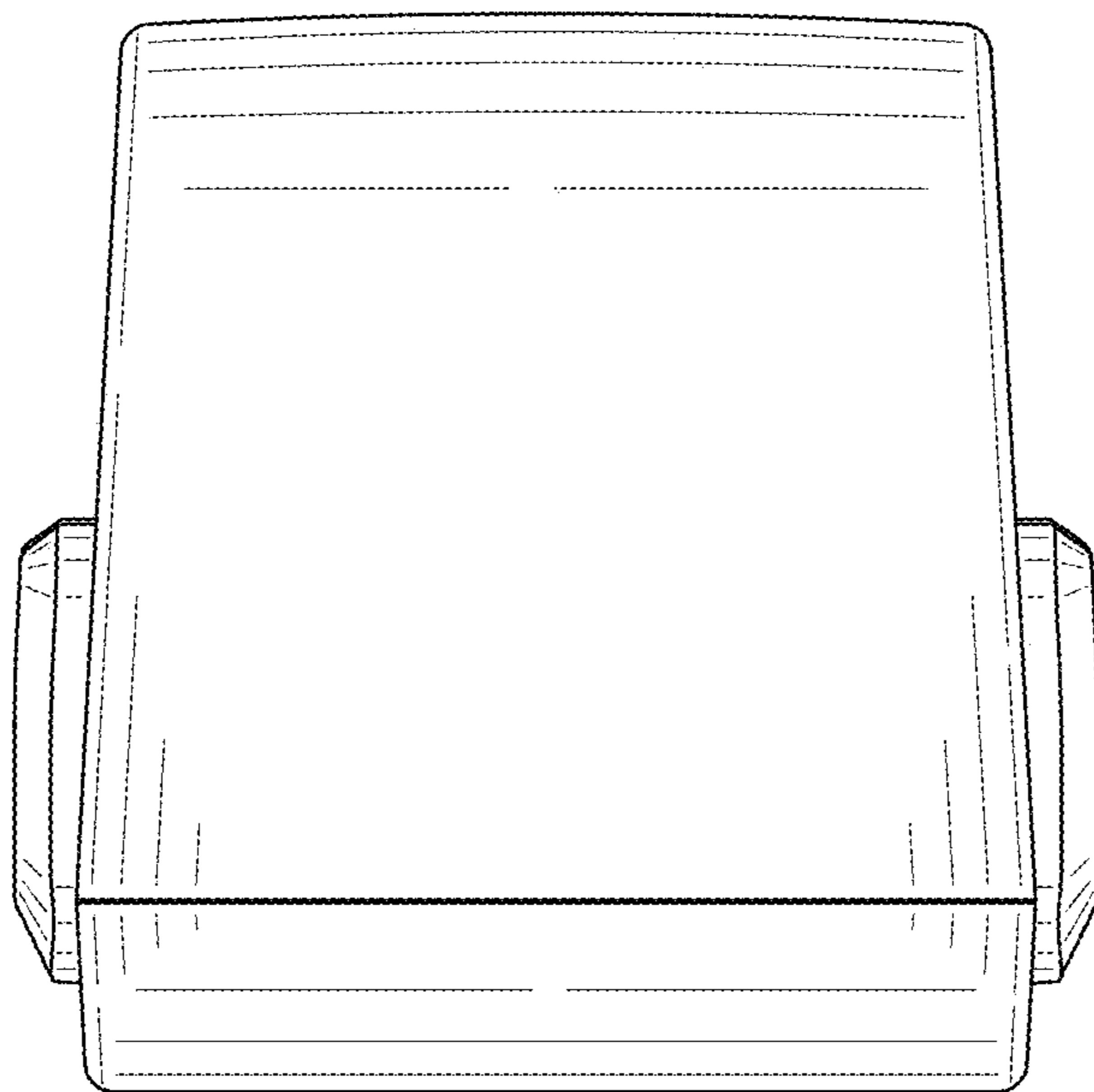


FIG. 6

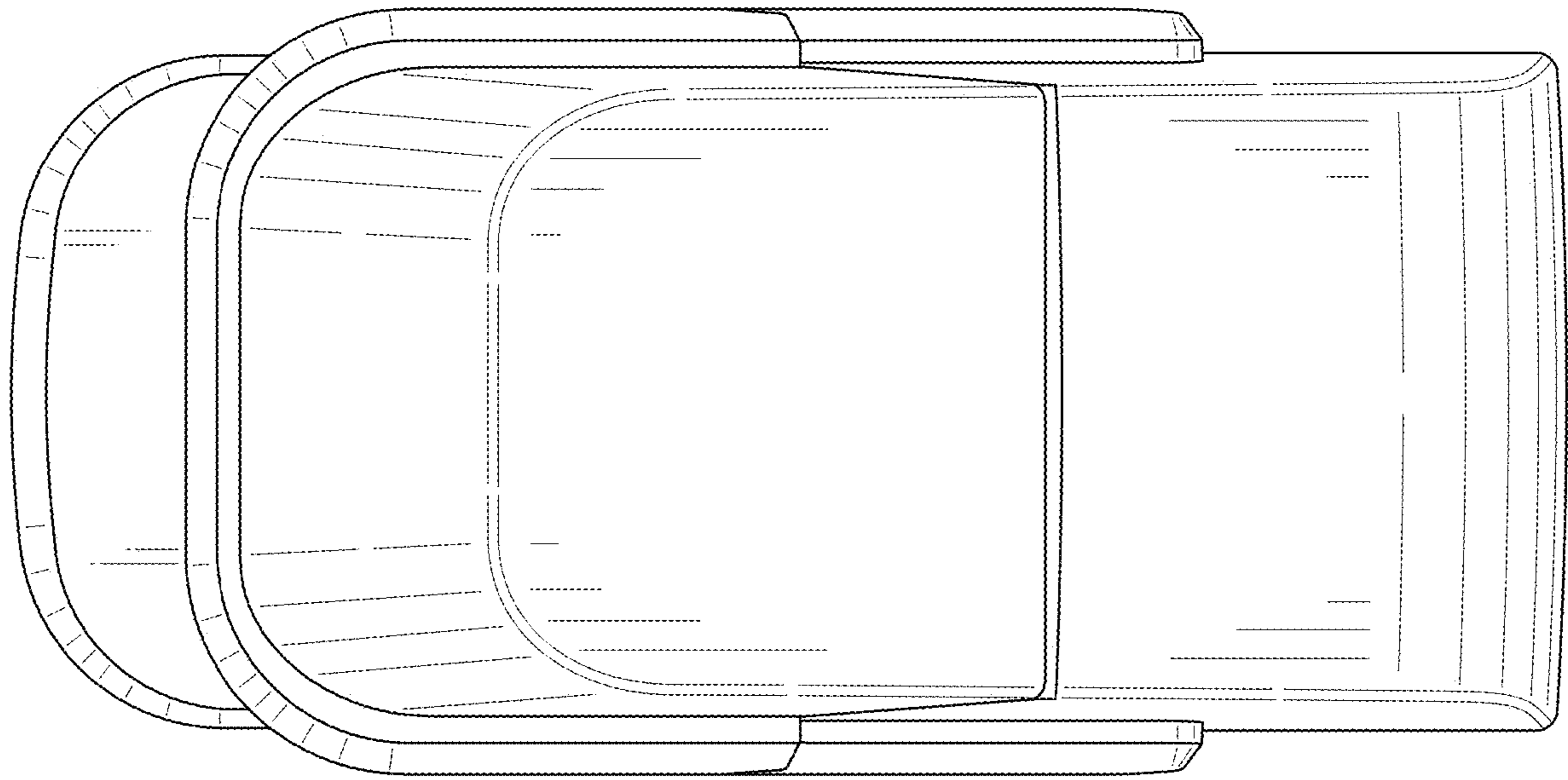


FIG. 7

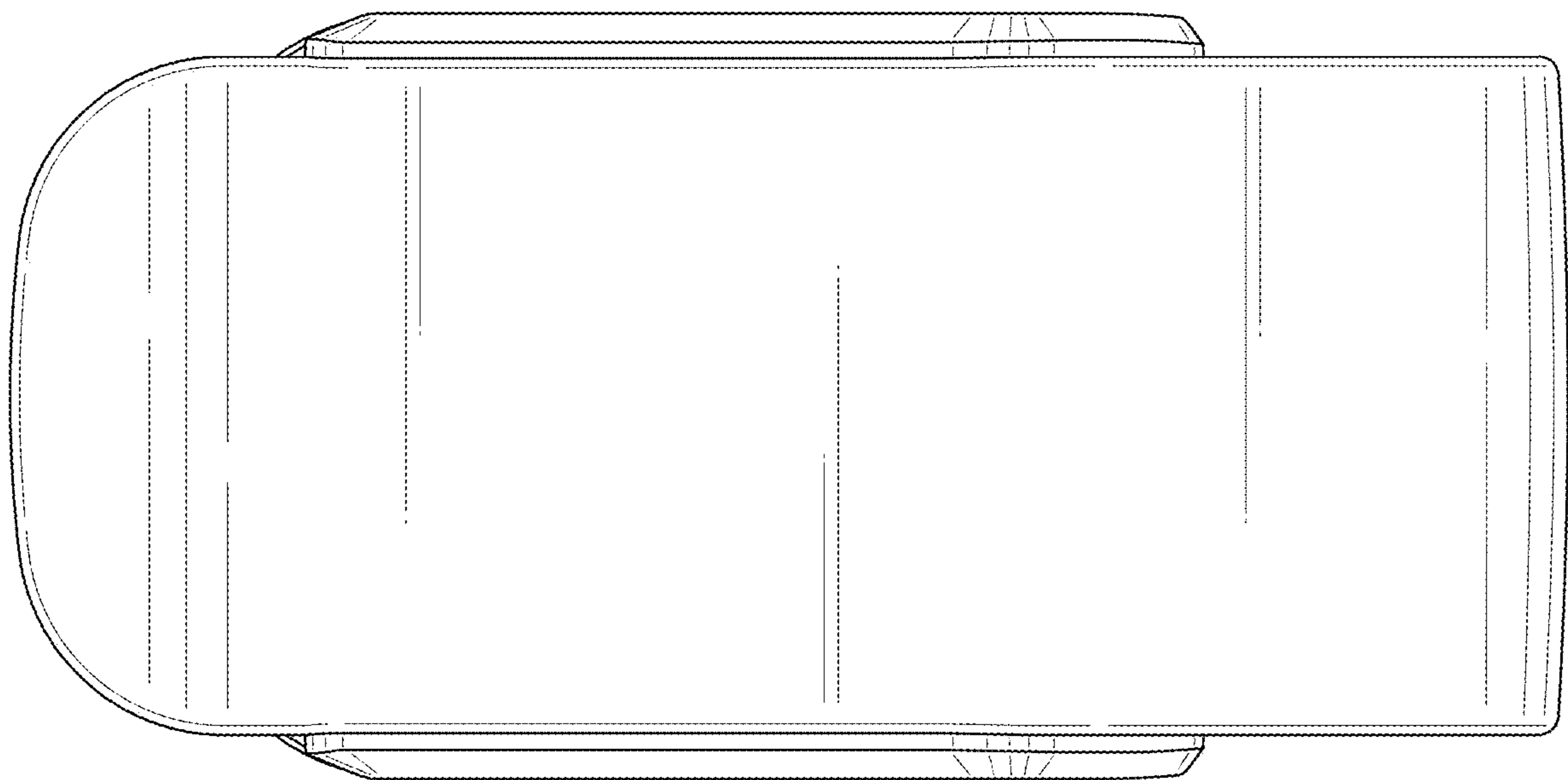


FIG. 8