



US00D946985S

(12) **United States Design Patent**
Hurley

(10) **Patent No.:** **US D946,985 S**

(45) **Date of Patent:** **** Mar. 29, 2022**

(54) **TORQUE TOOL**

(71) Applicant: **Michael Hurley**, East Palo Alto, CA
(US)

(72) Inventor: **Michael Hurley**, East Palo Alto, CA
(US)

(**) Term: **15 Years**

(21) Appl. No.: **29/651,263**

(22) Filed: **Apr. 4, 2019**

D287,456 S *	12/1986	Kobos	D8/40
D325,692 S *	4/1992	Johnson	D8/83
D500,944 S *	1/2005	Dexter	D8/29
7,028,588 B2 *	4/2006	Shih	B25B 13/56
			81/DIG. 5
7,191,687 B1 *	3/2007	Wadsley	B25B 13/32
			81/177.1
D592,471 S *	5/2009	Rosko	D8/28
7,627,968 B2 *	12/2009	Lin	G09F 7/165
			40/306
RE42,400 E *	5/2011	Dexter	D8/29
D649,417 S *	11/2011	Gresham	D8/29
8,074,539 B2 *	12/2011	Lin	G09F 3/00
			81/DIG. 5
D840,777 S *	2/2019	Swisher	D8/25

Related U.S. Application Data

(63) Continuation of application No. 29/662,791, filed on
Sep. 7, 2018, now abandoned.

(51) **LOC (13) Cl.** **08-05**

(52) **U.S. Cl.**
USPC **D8/25**

(58) **Field of Classification Search**
USPC D8/14, 24, 25, 27, 28
CPC B25B 13/48
See application file for complete search history.

References Cited

U.S. PATENT DOCUMENTS

2,592,037 A *	4/1952	Keiser	B25B 13/5075
			81/53.2
3,331,267 A *	7/1967	Tietge	B25B 23/1415
			81/121.1

* cited by examiner

Primary Examiner — Eliza Z Bennett-Hattan

(74) *Attorney, Agent, or Firm* — Patent PC; Bao Tran

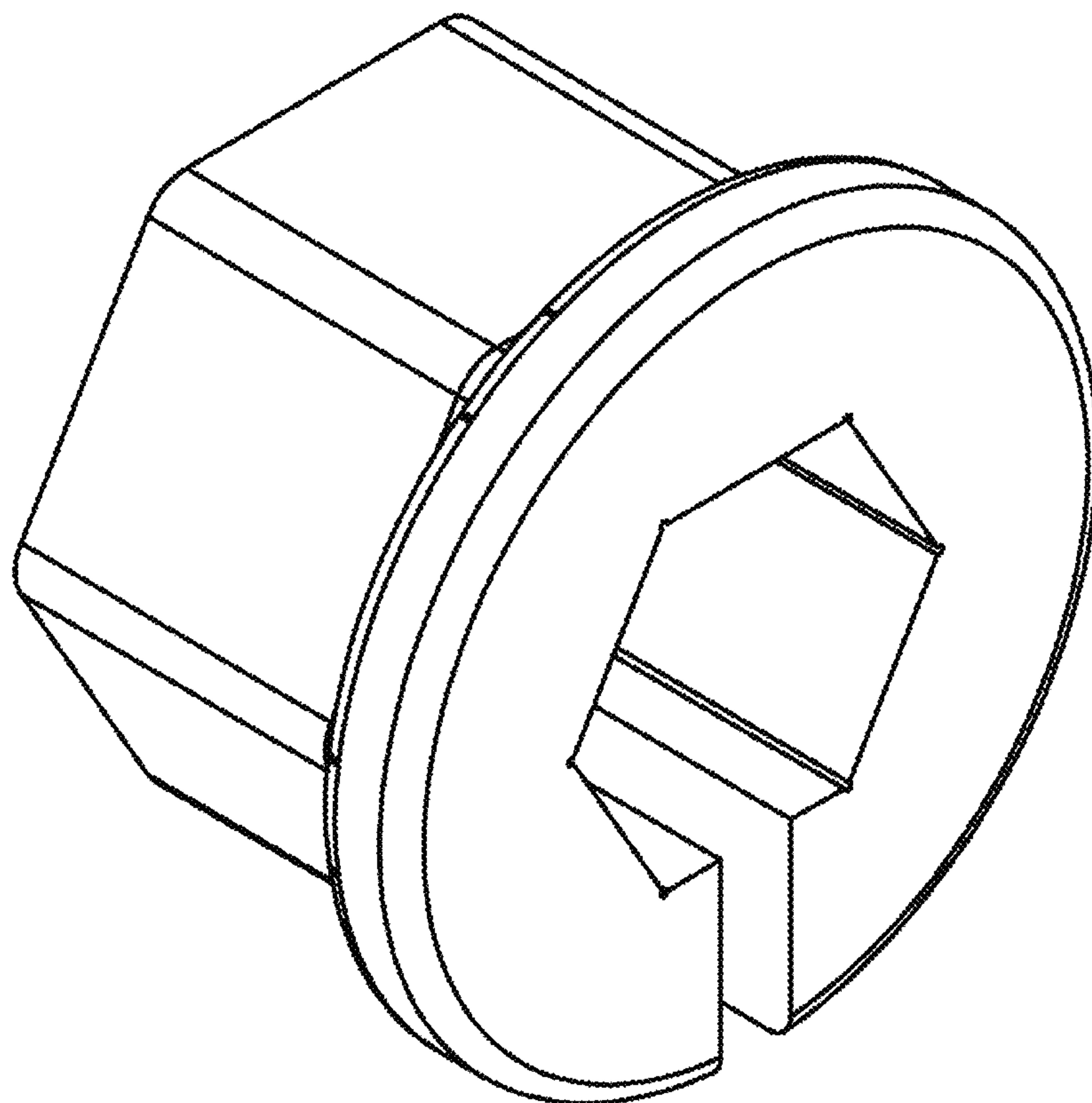
(57) **CLAIM**

The ornamental design for a torque tool, as shown and
described.

DESCRIPTION

FIG. 1 shows a perspective bottom view of a torque tool.
FIG. 2 shows a perspective top view of the torque tool.
FIG. 3 shows a top view of the torque tool with six corner
relief lines between internal corners of the tool.
FIG. 4 shows a side view of the torque tool; and,
FIG. 5 shows a bottom view of the torque tool.

1 Claim, 5 Drawing Sheets



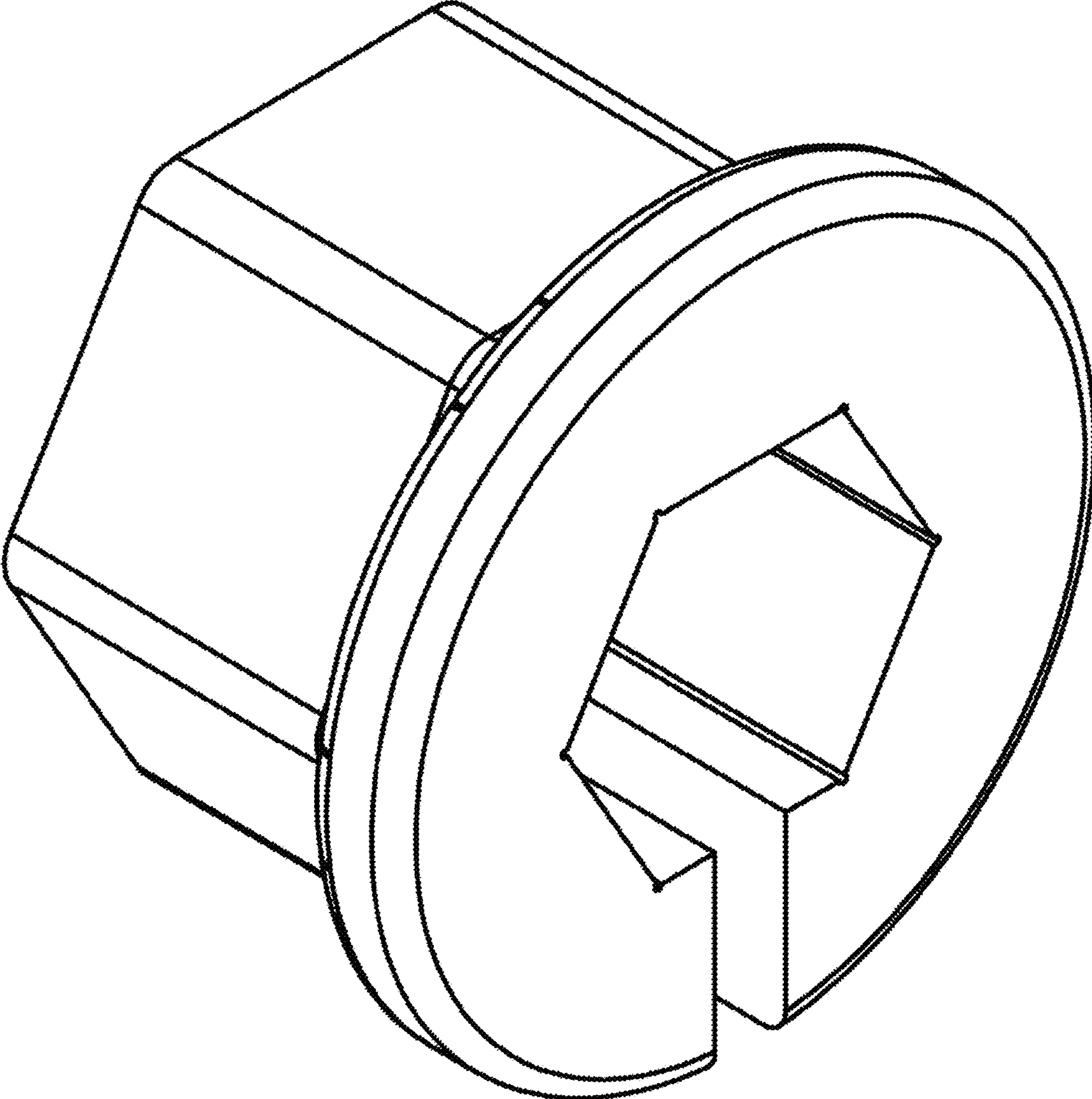


FIG. 1

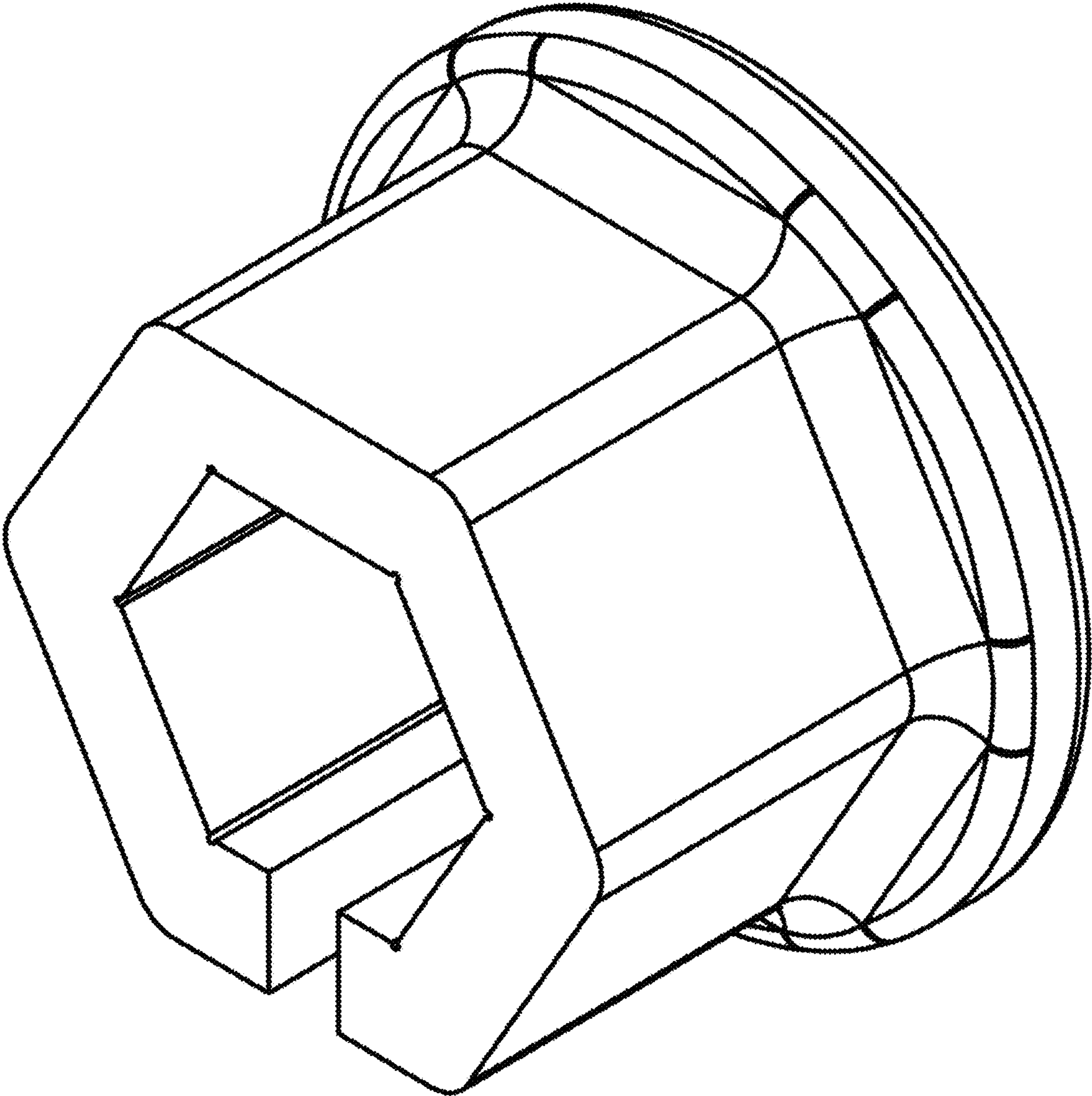


FIG. 2

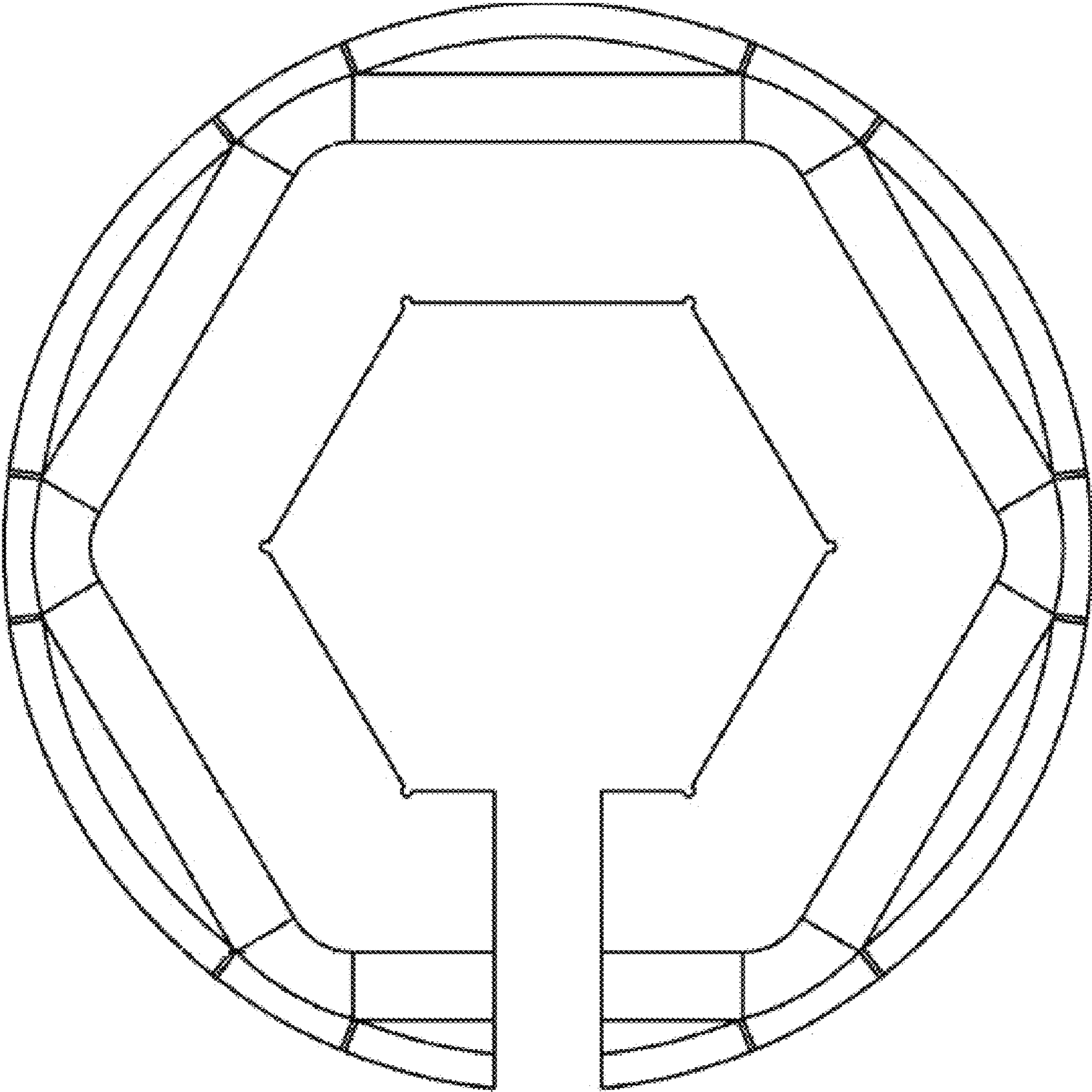


FIG. 3

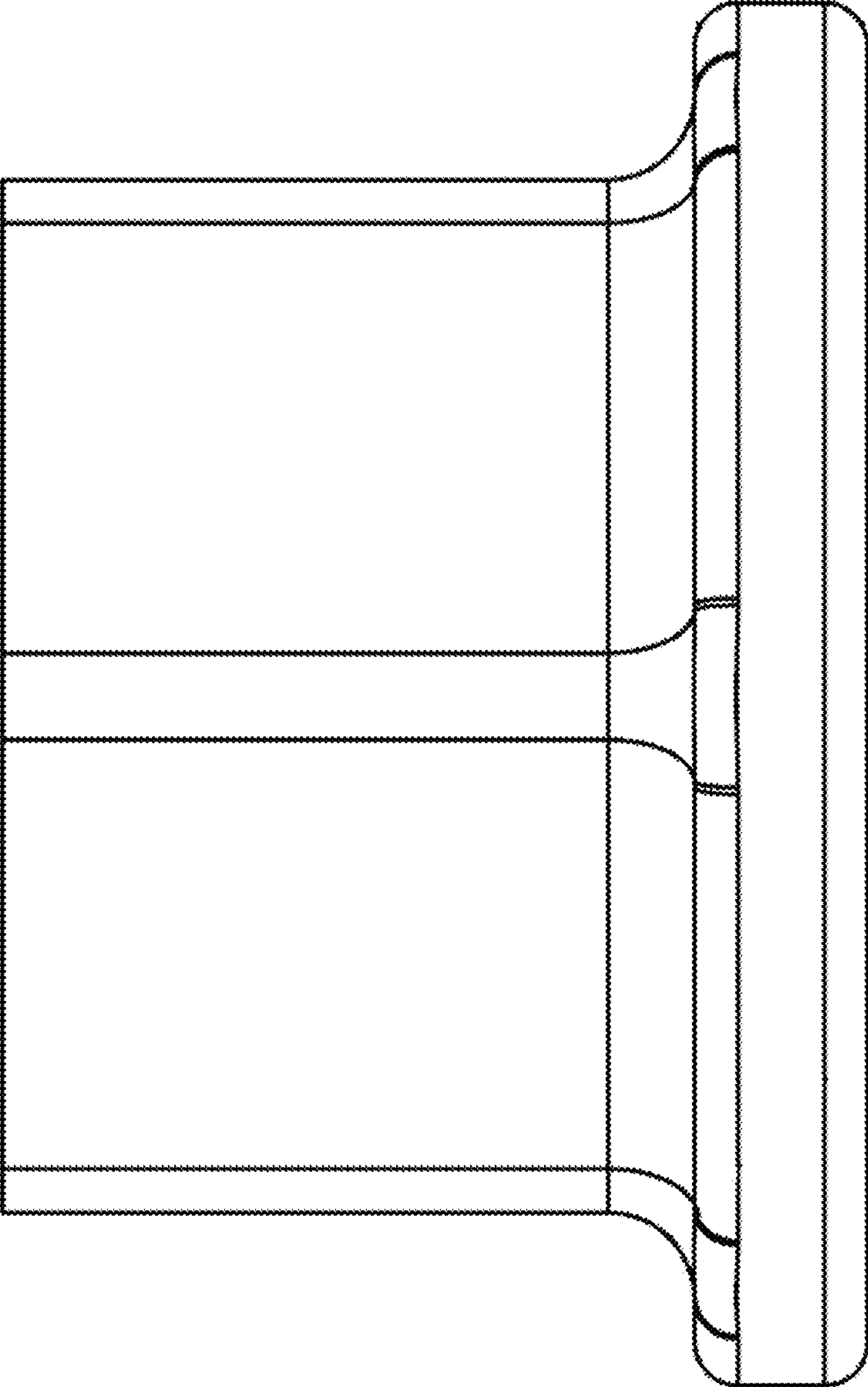


FIG. 4

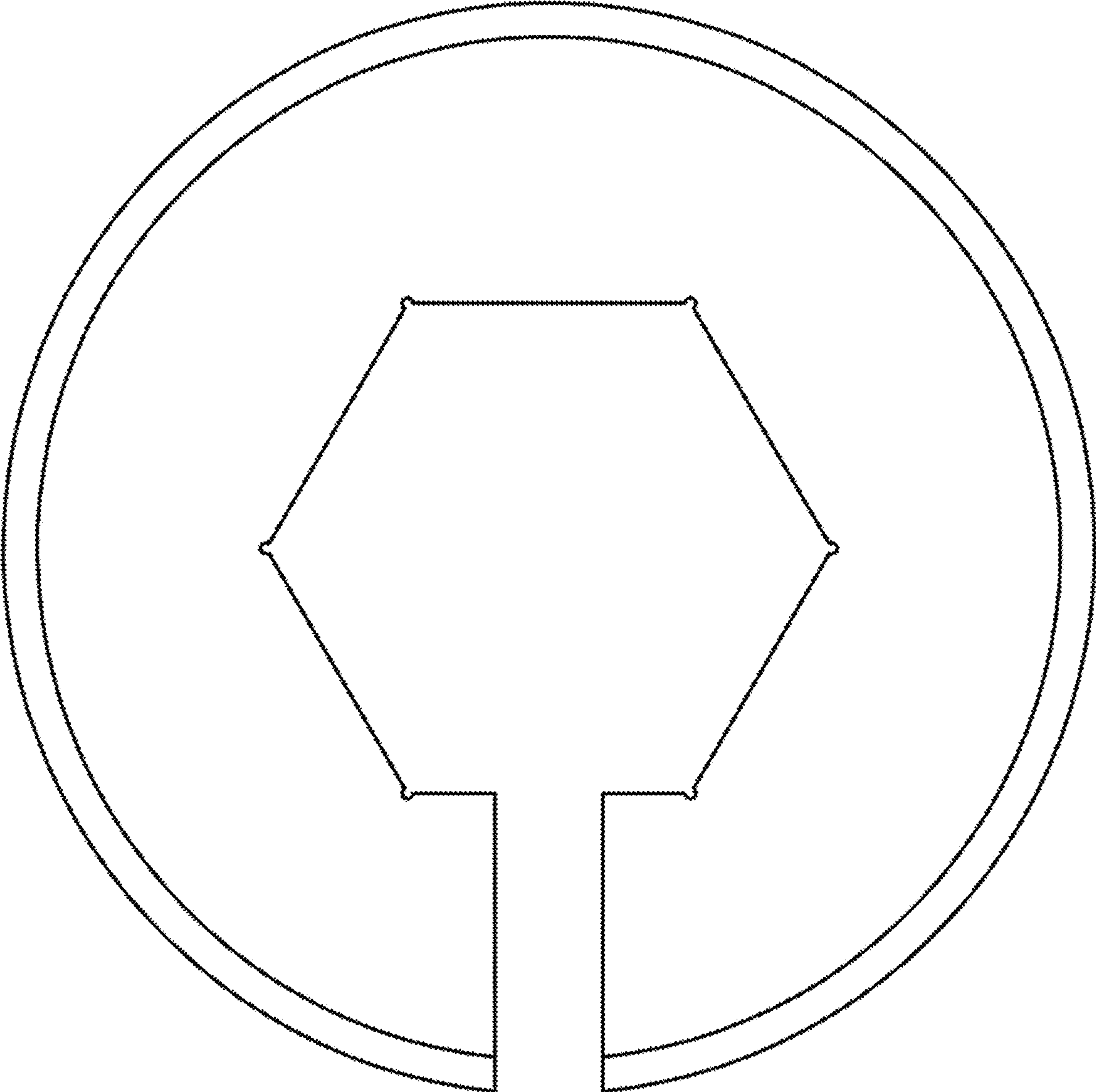


FIG. 5