



US00D946983S

(12) **United States Design Patent**
Spae

(10) **Patent No.:** **US D946,983 S**
(45) **Date of Patent:** **** Mar. 29, 2022**

(54) **FOOD CUTTER**

(71) Applicant: **Built Kitchen Tools LLC**, Frisco, TX
(US)

(72) Inventor: **Johnathan Thomas Spae**, Austin, TX
(US)

(73) Assignee: **Built Kitchen Tools LLC**, Austin, TX
(US)

(**) Term: **15 Years**

(21) Appl. No.: **29/725,854**

(22) Filed: **Feb. 27, 2020**

(51) **LOC (13) Cl.** **07-04**

(52) **U.S. Cl.**
USPC **D7/693**

(58) **Field of Classification Search**
USPC D7/372, 414, 667, 669, 678, 670, 679,
D7/683, 381, 383, 384, 412, 672, 673,
D7/693; D27/194, 195

(Continued)

(56) **References Cited**

U.S. PATENT DOCUMENTS

4,037,793 A * 7/1977 Puustinen A47J 43/25
241/30
4,924,575 A * 5/1990 James A47J 43/28
30/114

(Continued)

OTHER PUBLICATIONS

Walmart website, Gemiknife 14" Pizza Cutter Rocker Knife, Publication date unknown, [site visited Jan. 11, 2022], Available on the Internet URL <https://www.walmart.com/ip/Gemiknife-14-Pizza-Cutter-Rocker-Knife-Built-in-Cheese-Grater/544969053> (Year: 2021).*

(Continued)

Primary Examiner — S. Bryan Reinholdt, Jr.

(74) *Attorney, Agent, or Firm* — Lee & Hayes, P.C.

(57) **CLAIM**

The ornamental design for a food cutter, as shown and described.

DESCRIPTION

FIG. 1 is a perspective view of a first embodiment of a food cutter, taken from the front.

FIG. 2 is a front view of the first embodiment of the food cutter of FIG. 1.

FIG. 3 is a back view of the first embodiment of the food cutter of FIG. 1.

FIG. 4 is a left-side view of the first embodiment of the food cutter of FIG. 1.

FIG. 5 is a right-side view of the first embodiment of the food cutter of FIG. 1.

FIG. 6 is a top view of the first embodiment of the food cutter of FIG. 1.

FIG. 7 is a bottom view of the first embodiment of the food cutter of FIG. 1.

FIG. 8 is a perspective view of a second embodiment of a food cutter, taken from the front.

FIG. 9 is a front view of the second embodiment of the food cutter of FIG. 8.

FIG. 10 is a back view of the second embodiment of the food cutter of FIG. 8.

FIG. 11 is a left-side view of the second embodiment of the food cutter of FIG. 8.

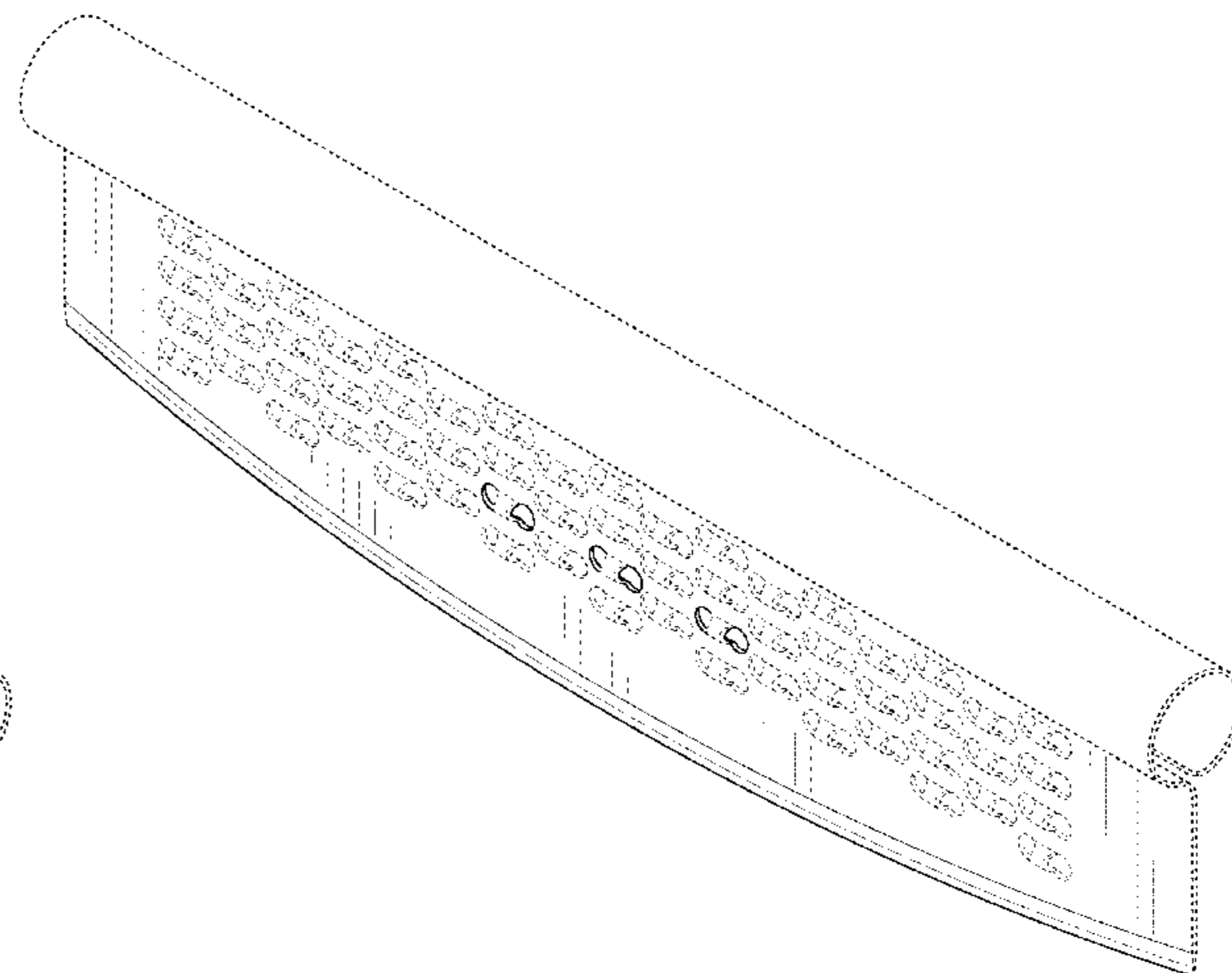
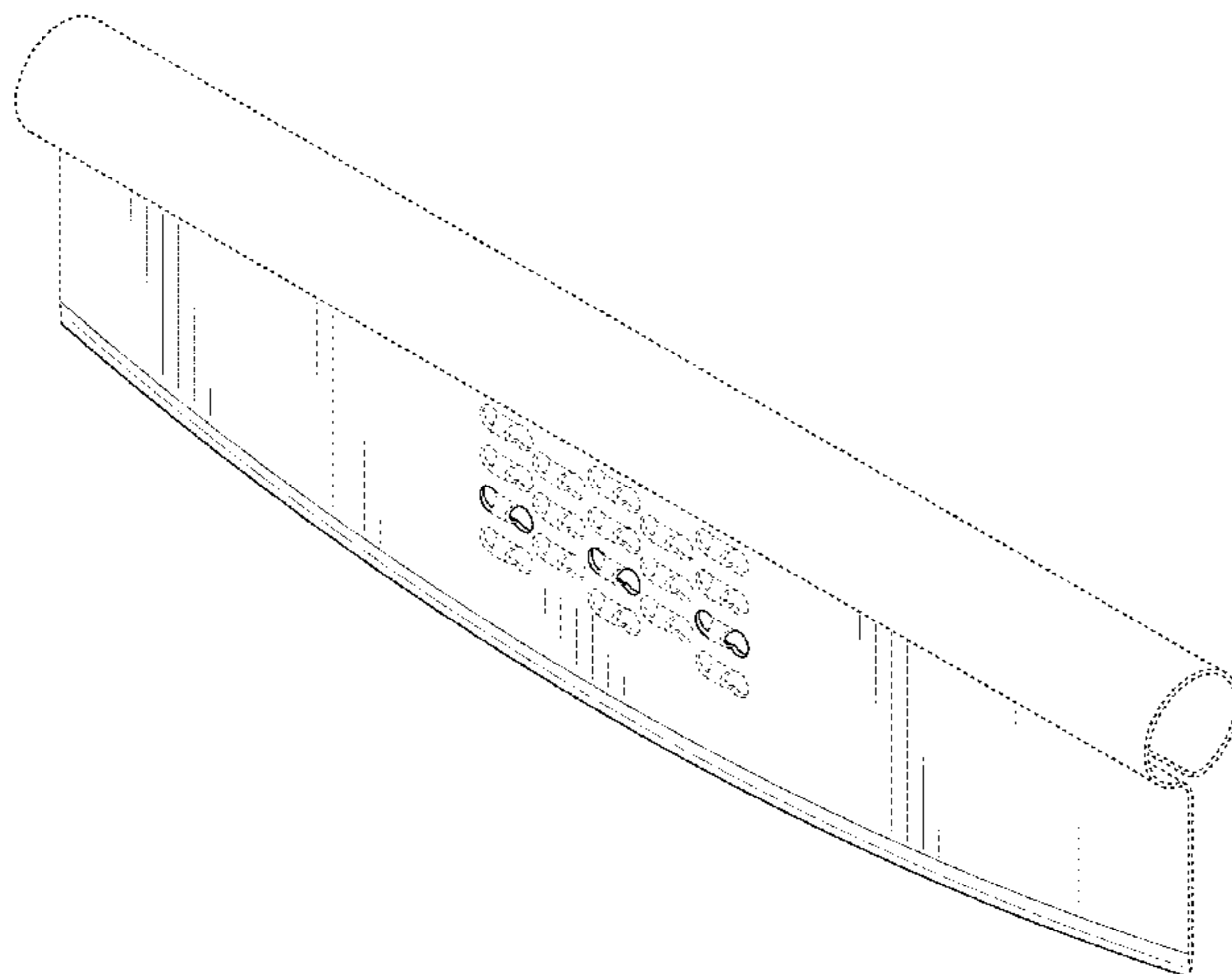
FIG. 12 is a right-side view of the second embodiment of the food cutter of FIG. 8.

FIG. 13 is a top view of the second embodiment of the food cutter of FIG. 8; and,

FIG. 14 is a bottom view of the second embodiment of the food cutter of FIG. 8.

The dashed lines and the areas within them adjacent to shaded portions of the food cutter form no part of the claimed design.

1 Claim, 14 Drawing Sheets



(58) **Field of Classification Search**

CPC .. A47J 42/00; A47J 42/04; A47J 42/14; A47J
17/02; B25G 1/00; B25G 1/06; B25G
1/102

See application file for complete search history.

(56) **References Cited**

U.S. PATENT DOCUMENTS

4,959,905 A * 10/1990 Ghislain B26B 3/00
30/151
D363,007 S * 10/1995 Morey D7/673
D392,841 S * 3/1998 Chastaine D7/412
5,920,992 A * 7/1999 Watermolen B26B 3/00
30/315
D488,682 S * 4/2004 Bertke D7/693
D671,804 S * 12/2012 Lopez D7/672
D678,733 S * 3/2013 Svihilik D7/649
D743,755 S * 11/2015 Johnson D7/693
10,456,941 B1 * 10/2019 Spae B26D 3/24

D872,545 S * 1/2020 Hoerth D7/693
D924,019 S * 7/2021 Julian D7/693
11,059,191 B2 * 7/2021 Spae B26B 3/04
11,059,192 B1 * 7/2021 Spae A47J 43/25
2009/0121062 A1 * 5/2009 Silver A47J 43/283
241/168
2015/0197025 A1 * 7/2015 Spae B26B 29/00
30/114
2018/0154532 A1 * 6/2018 Myvett A47J 43/25
2020/0078967 A1 * 3/2020 Spae B26B 29/02

OTHER PUBLICATIONS

Amazon website, Gemiknife Pizza Cutter Plus, Earliest date published on Amazon Jun. 25, 2020, [site visited Jan. 11, 2022], Available on the Internet URL <https://www.amazon.com/Gemiknife-Grater-Commercial-Stainless-Protective/dp/B084RH88SH> (Year: 2020).*

* cited by examiner

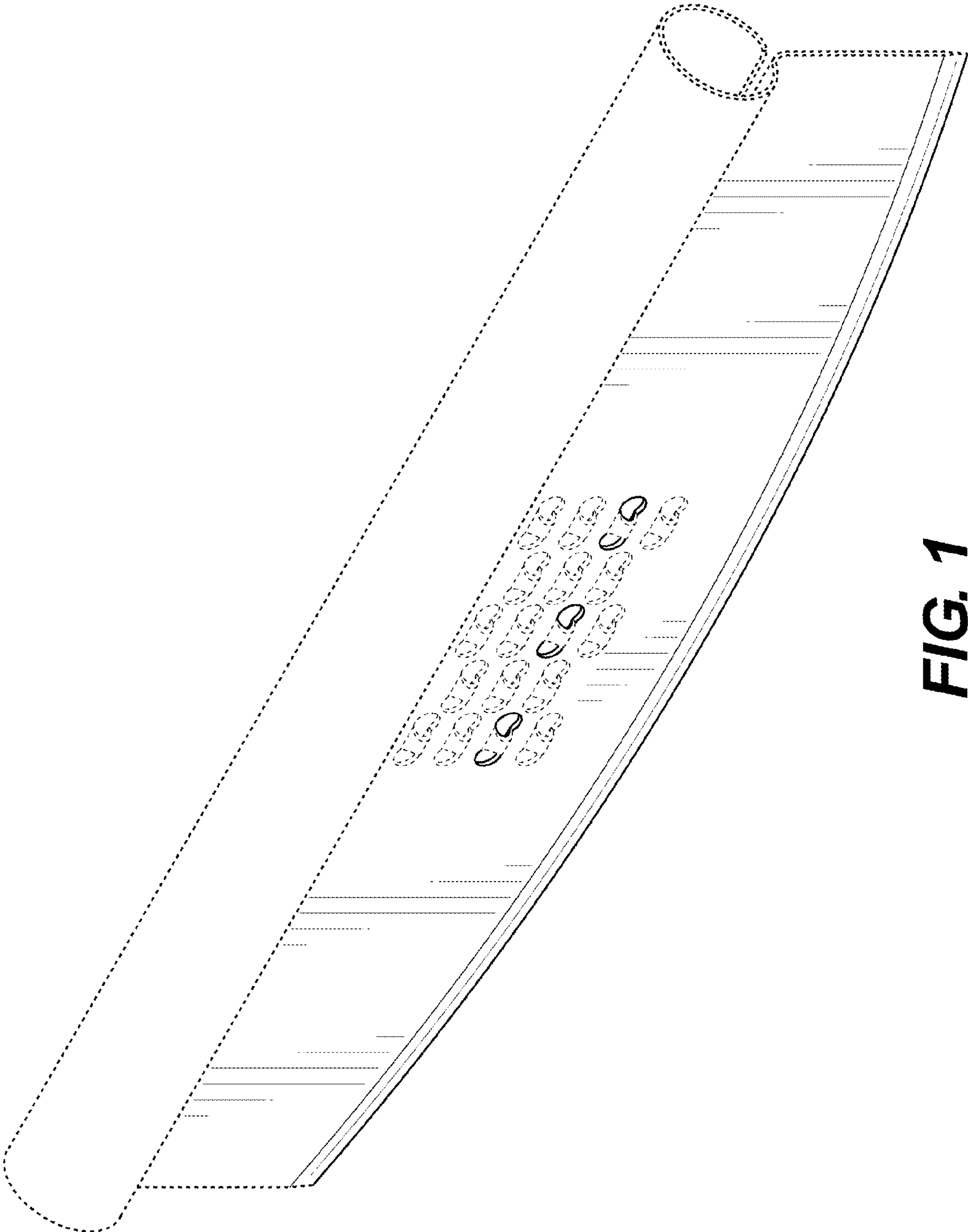


FIG. 1

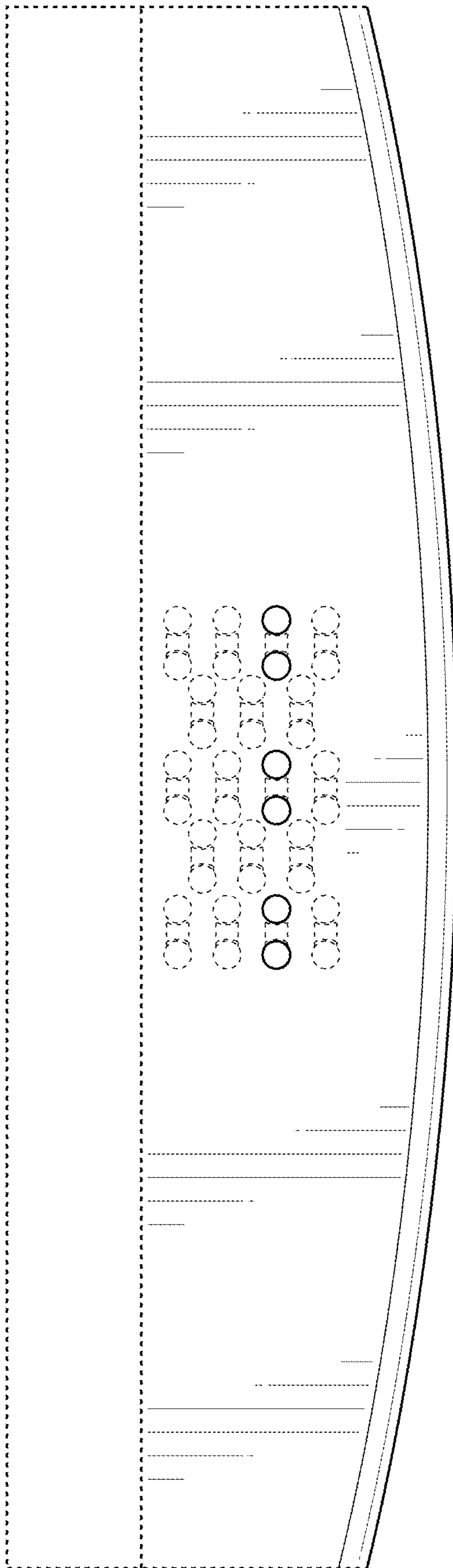


FIG. 2

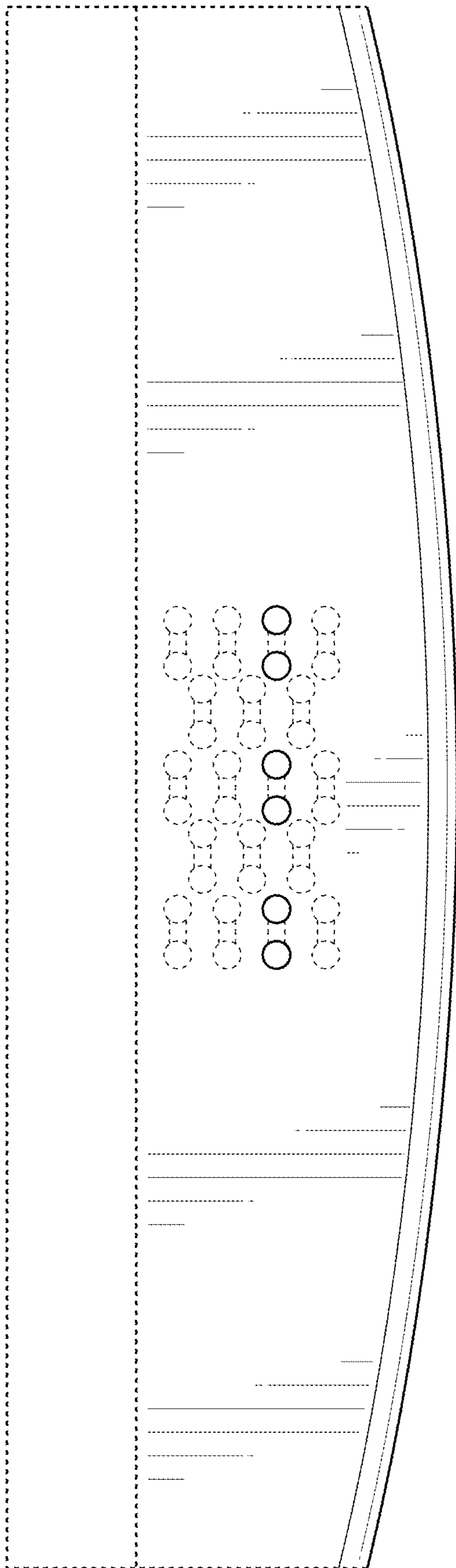


FIG. 3



FIG. 4

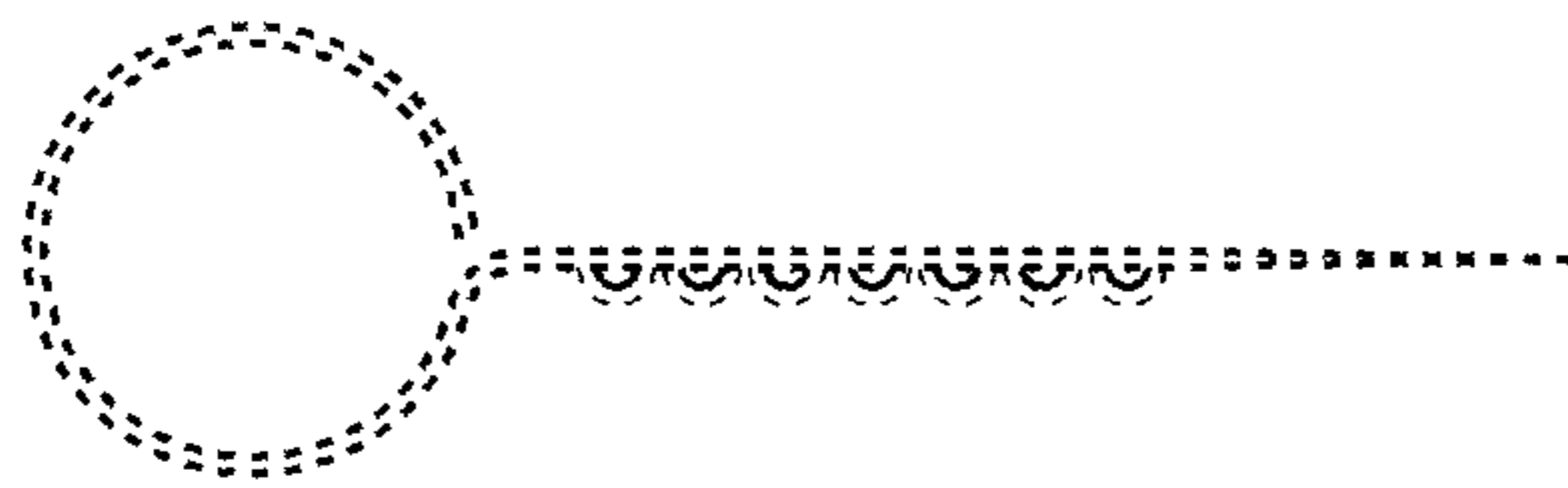


FIG. 5



FIG. 6

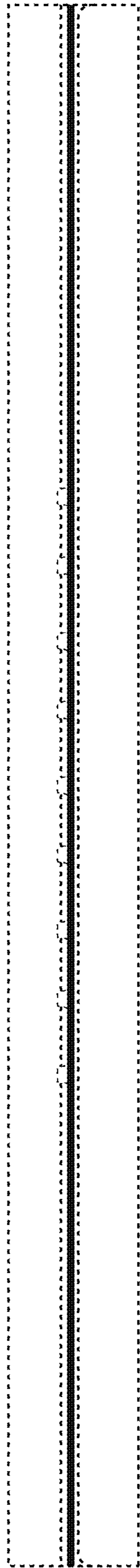


FIG. 7

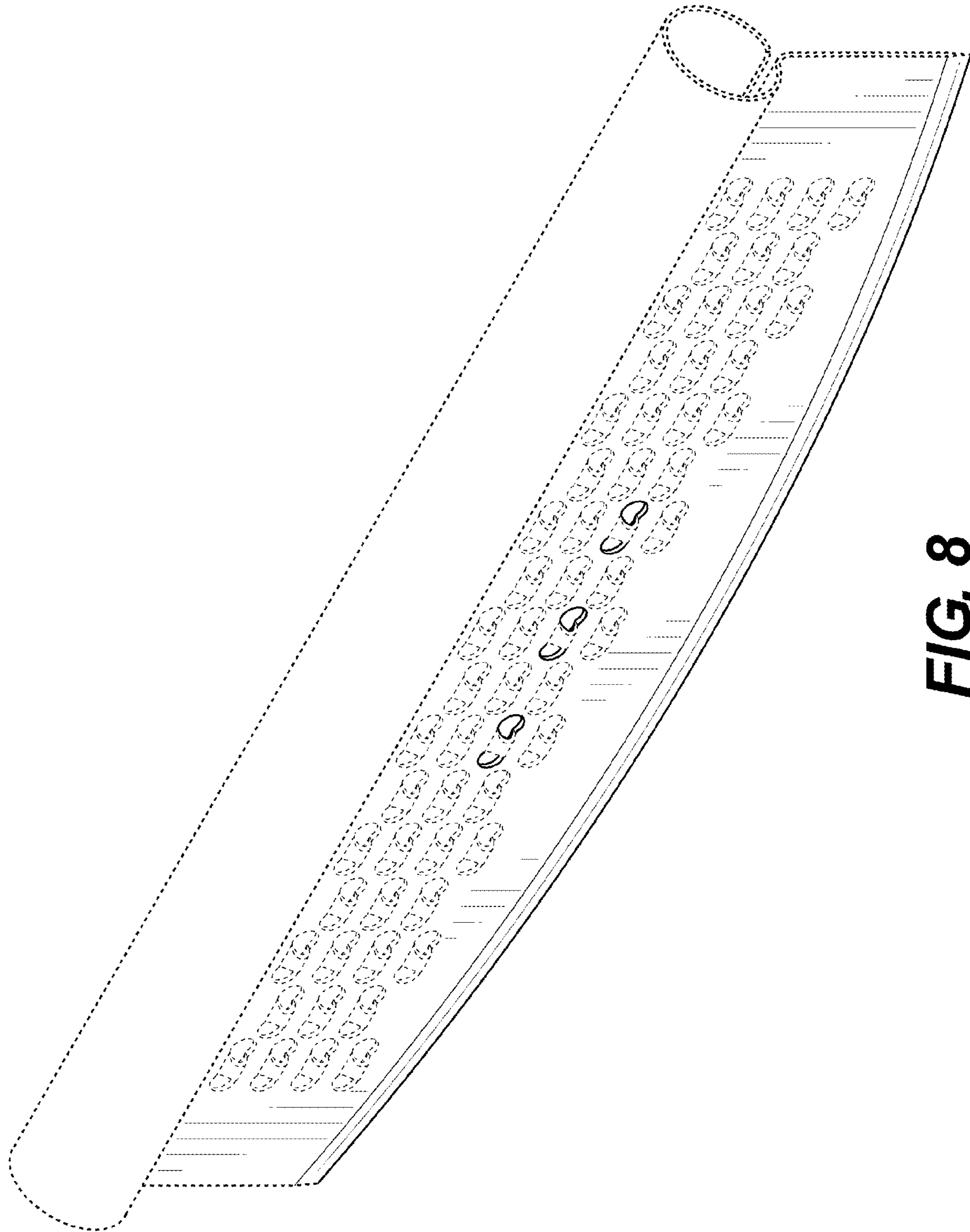


FIG. 8

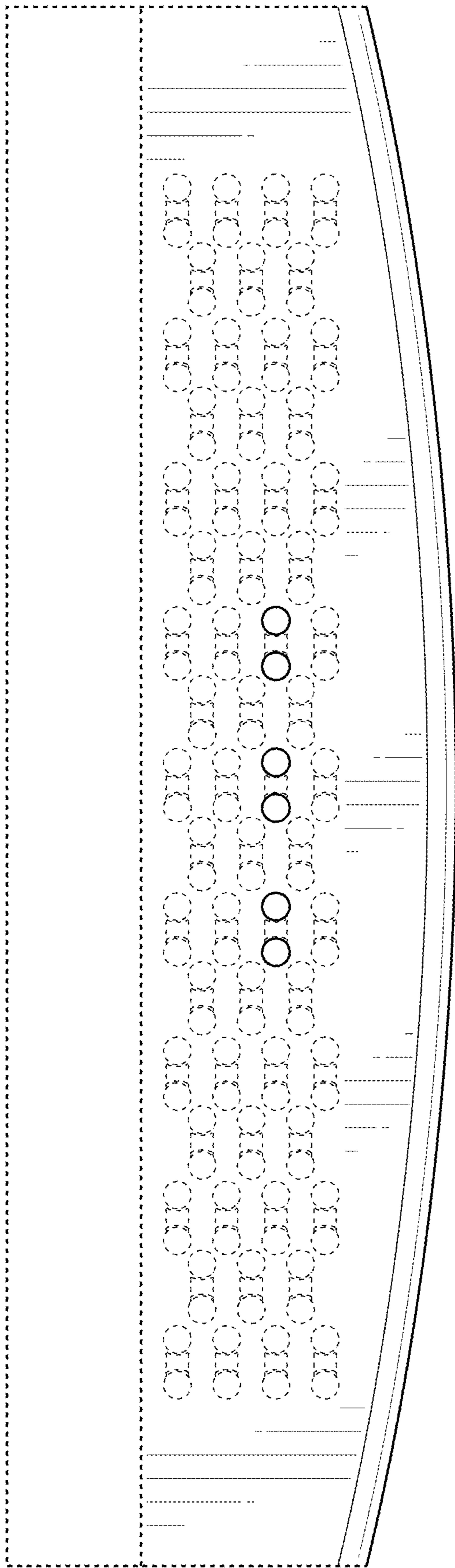


FIG. 9

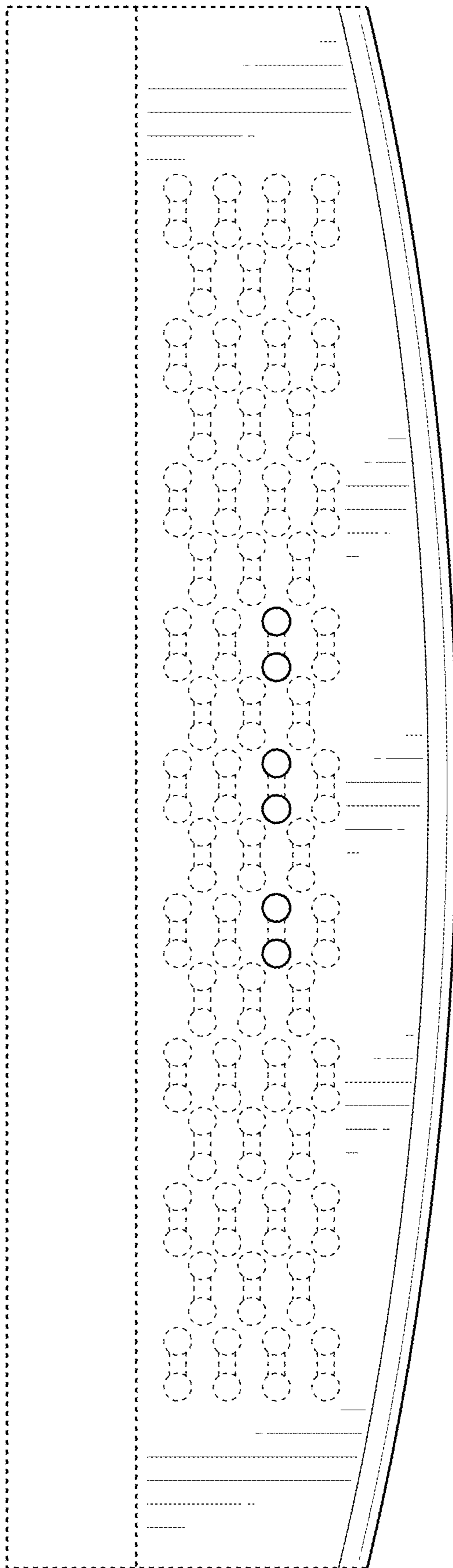


FIG. 10

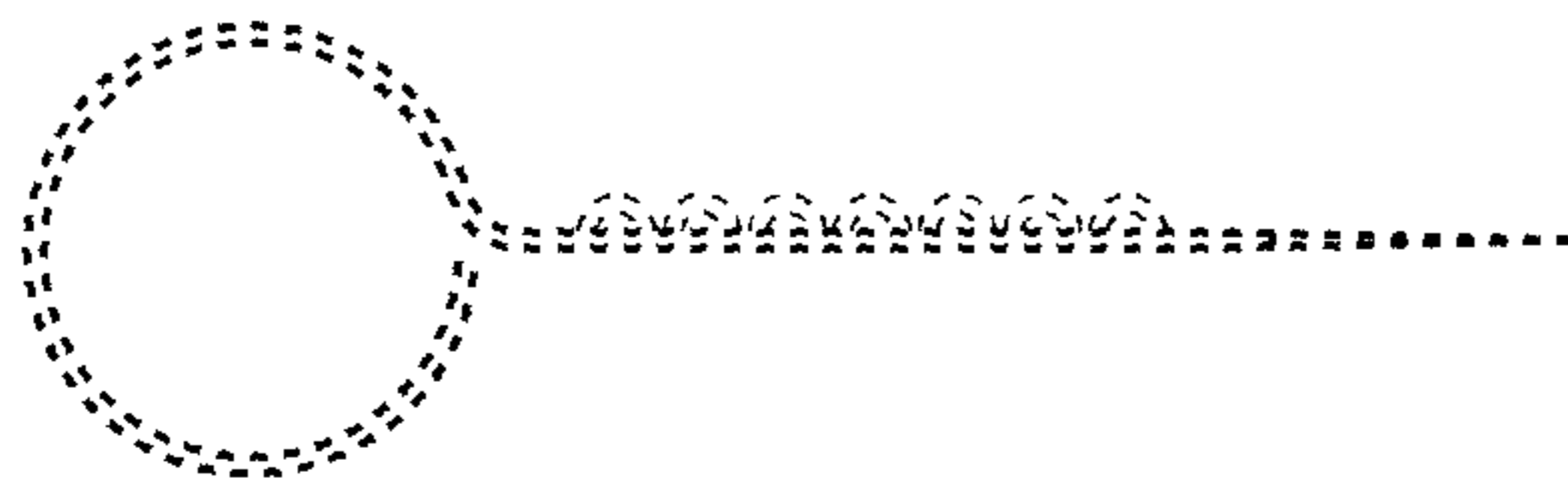


FIG. 11

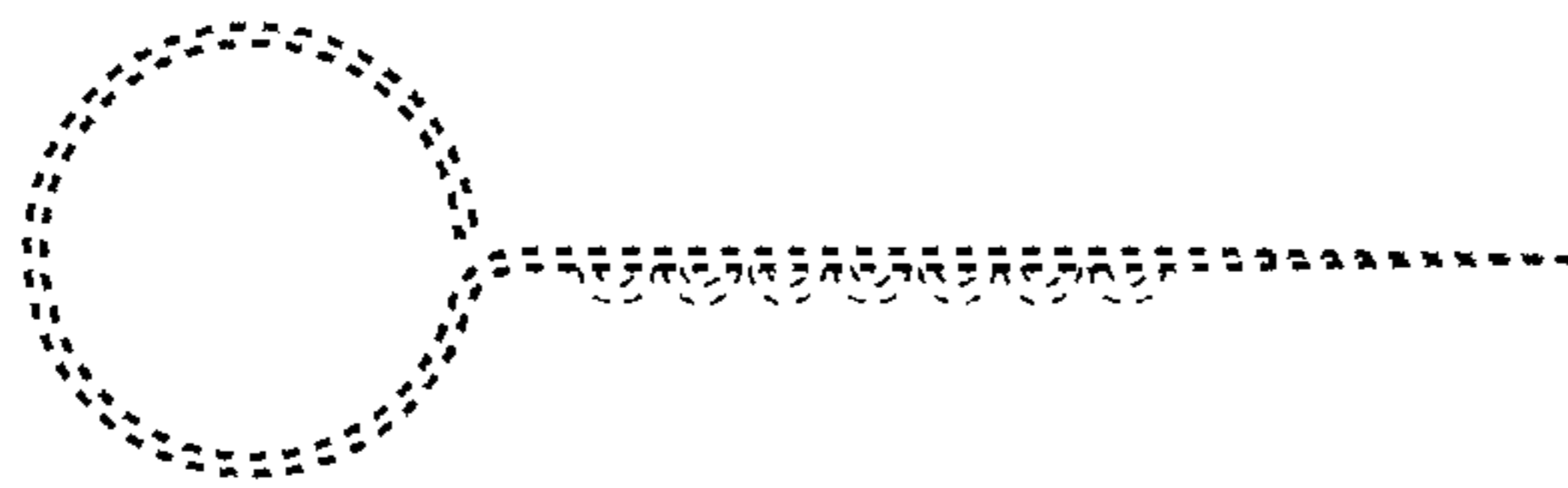


FIG. 12

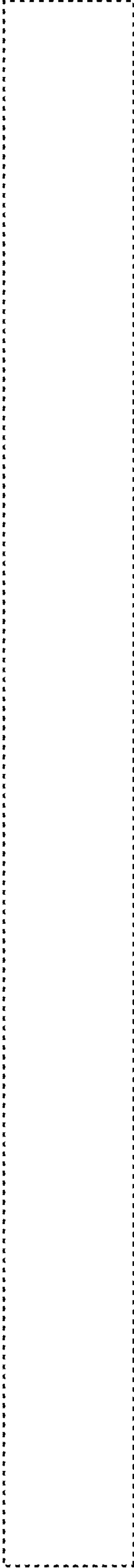


FIG. 13

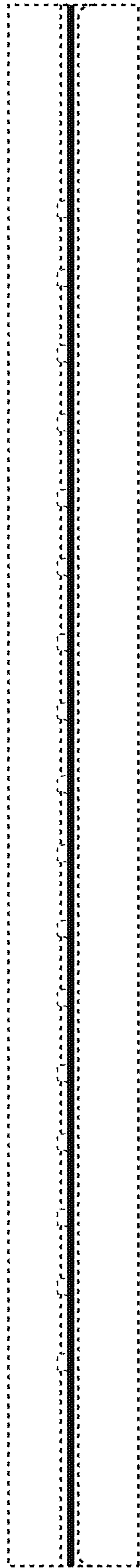


FIG. 14