



US00D946982S

(12) **United States Design Patent**
Norwood

(10) **Patent No.:** **US D946,982 S**
(45) **Date of Patent:** **** Mar. 29, 2022**

- (54) **EGG MOLD**
- (71) Applicant: **Lifetime Brands, Inc.**, Garden City, NY (US)
- (72) Inventor: **Jennifer Norwood**, Pawtucket, RI (US)
- (73) Assignee: **Lifetime Brands, Inc.**, Garden City, NY (US)

D504,286 S *	4/2005	de Cleir	D7/675
D582,221 S *	12/2008	Vendl	D7/675
D813,617 S *	3/2018	Mitsch	D7/676
D829,063 S *	9/2018	Goulet Dubois	D7/676
D843,794 S *	3/2019	Goulet Dubois	D7/676
D844,396 S *	4/2019	Goulet Dubois	D7/675
D844,398 S *	4/2019	Goulet Dubois	D7/676
D858,219 S *	9/2019	Goulet Dubois	D7/676

(**) Term: **15 Years**
(21) Appl. No.: **29/741,195**

(22) Filed: **Jul. 10, 2020**
(51) **LOC (13) Cl.** **07-04**
(52) **U.S. Cl.**
USPC **D7/676**

(58) **Field of Classification Search**
USPC D7/555, 556, 551, 559, 578, 571, 582,
D7/583, 676, 675, 672, 368, 599, 604,
D7/606, 702, 628, 634, 612, 605, 504,
D7/505, 506, 539, 544; D11/158, 159,
D11/162; D9/612, 605, 675, 672, 607,
D9/608; D15/90, 615, 620, 504-506
CPC A21C 11/106; A47J 25/00; B26D 5/10;
B26D 3/185; A47G 19/2227
See application file for complete search history.

(56) **References Cited**
U.S. PATENT DOCUMENTS

D154,316 S *	6/1949	Price	D7/676
D154,317 S *	6/1949	Price	D7/676
D154,318 S *	6/1949	Price	D7/676
D347,976 S *	6/1994	Lombardi	D21/604
D349,018 S *	7/1994	Kaiser	D21/604
D368,414 S *	4/1996	VanHalteren	D7/675

OTHER PUBLICATIONS

Genuine Fred Store, Genuine Fred Koala Funny Side Egg Mold, date first available Oct. 6, 2020, Amazon.com. Retrieved from the internet Sep. 8, 2021 <URL: <https://www.amazon.com/dp/B08KSKGKF7>> (Year: 2020).*

* cited by examiner

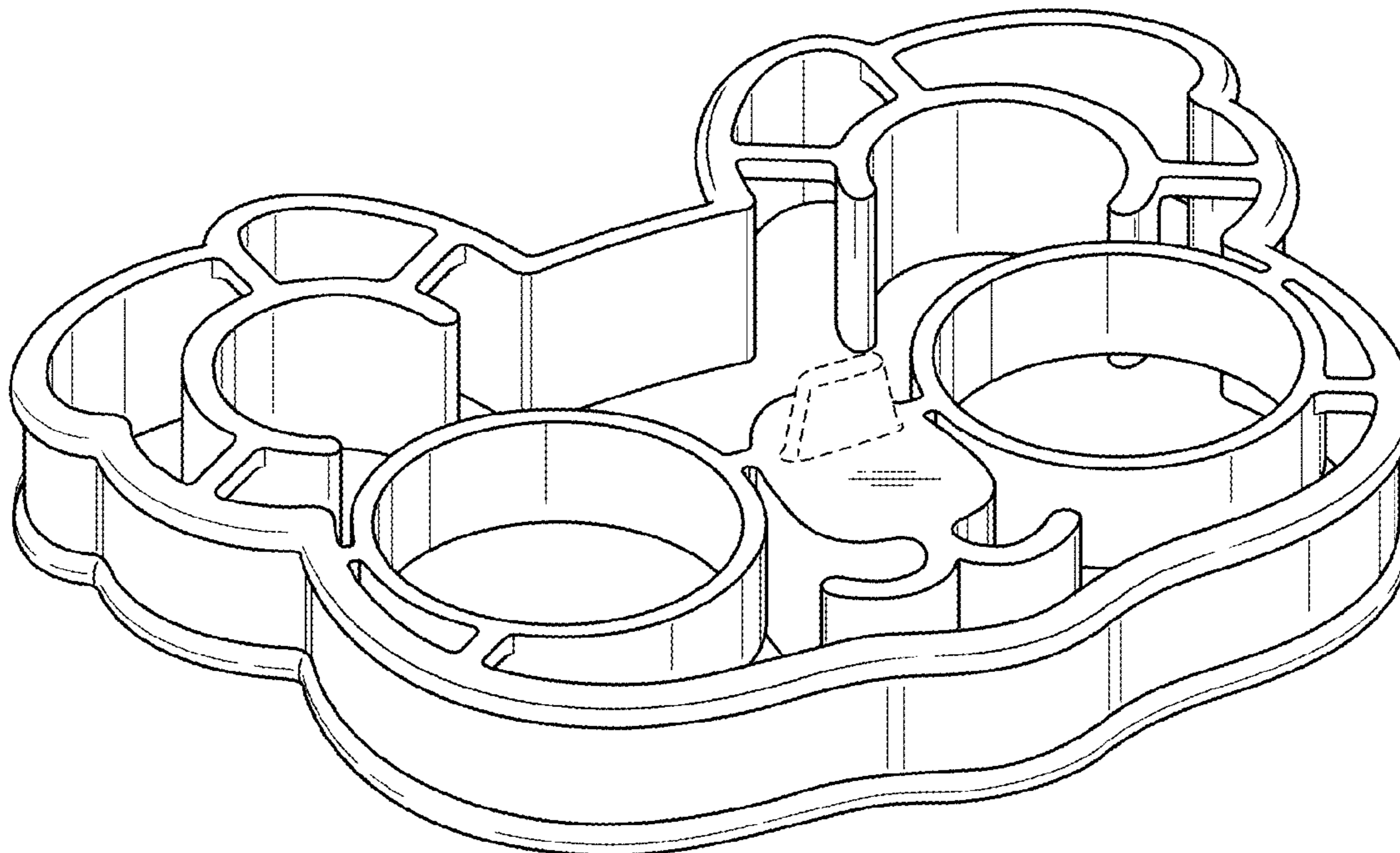
Primary Examiner — Joseph Kukella
Assistant Examiner — Darryl J Dardenne
(74) *Attorney, Agent, or Firm* — Tutunjian & Bitetto, P.C.

(57) **CLAIM**
The ornamental design for an egg mold, as shown and described.

DESCRIPTION

FIG. 1 is a top perspective view of the egg mold showing my new design;
FIG. 2 is a top view thereof;
FIG. 3 is a rear view thereof;
FIG. 4 is a left side view thereof;
FIG. 5 is a front view thereof;
FIG. 6 is a right side view thereof; and,
FIG. 7 is a bottom view thereof.
The broken lines in the drawings depict structure that forms no part of the claimed design.

1 Claim, 3 Drawing Sheets



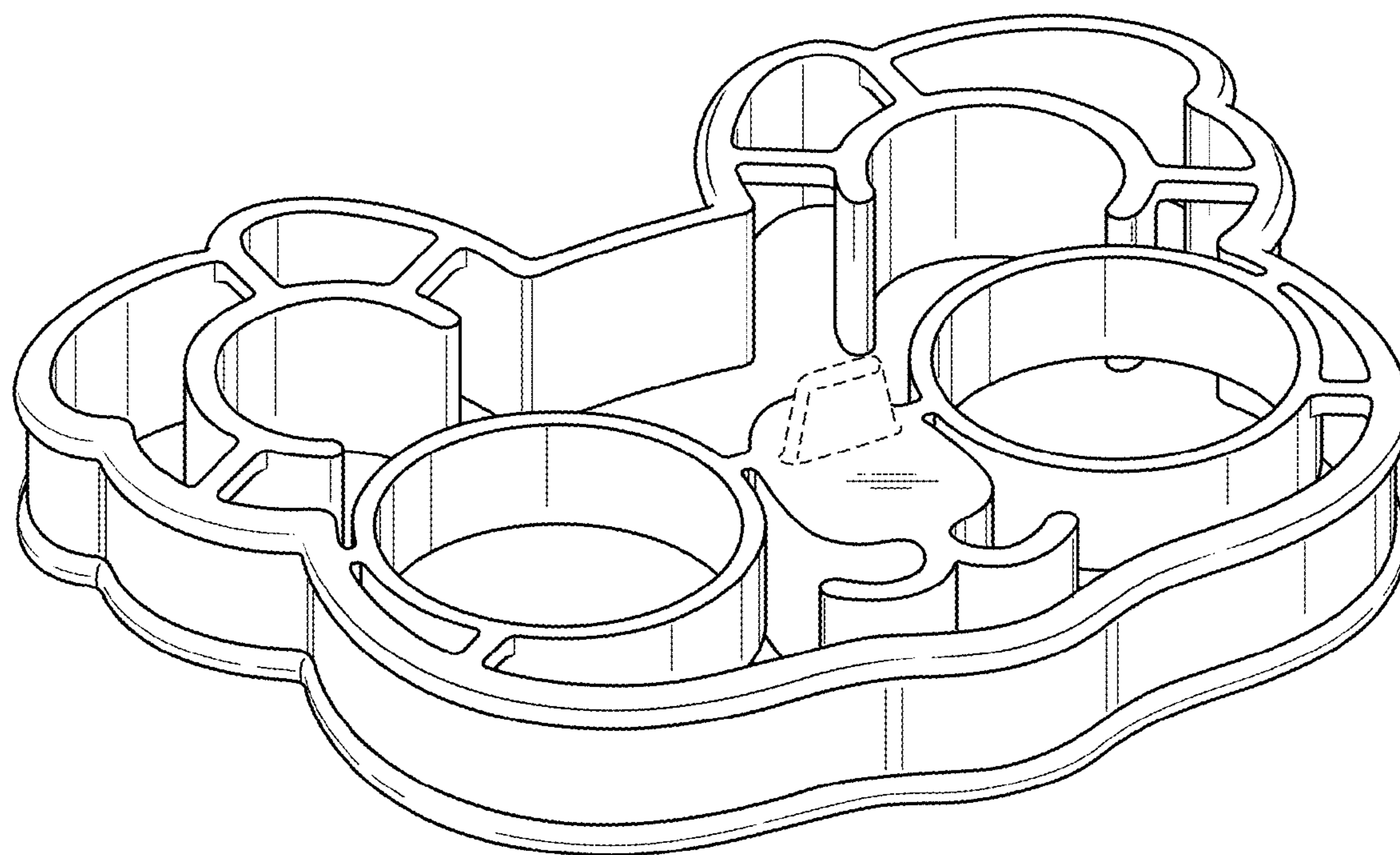


FIG. 1

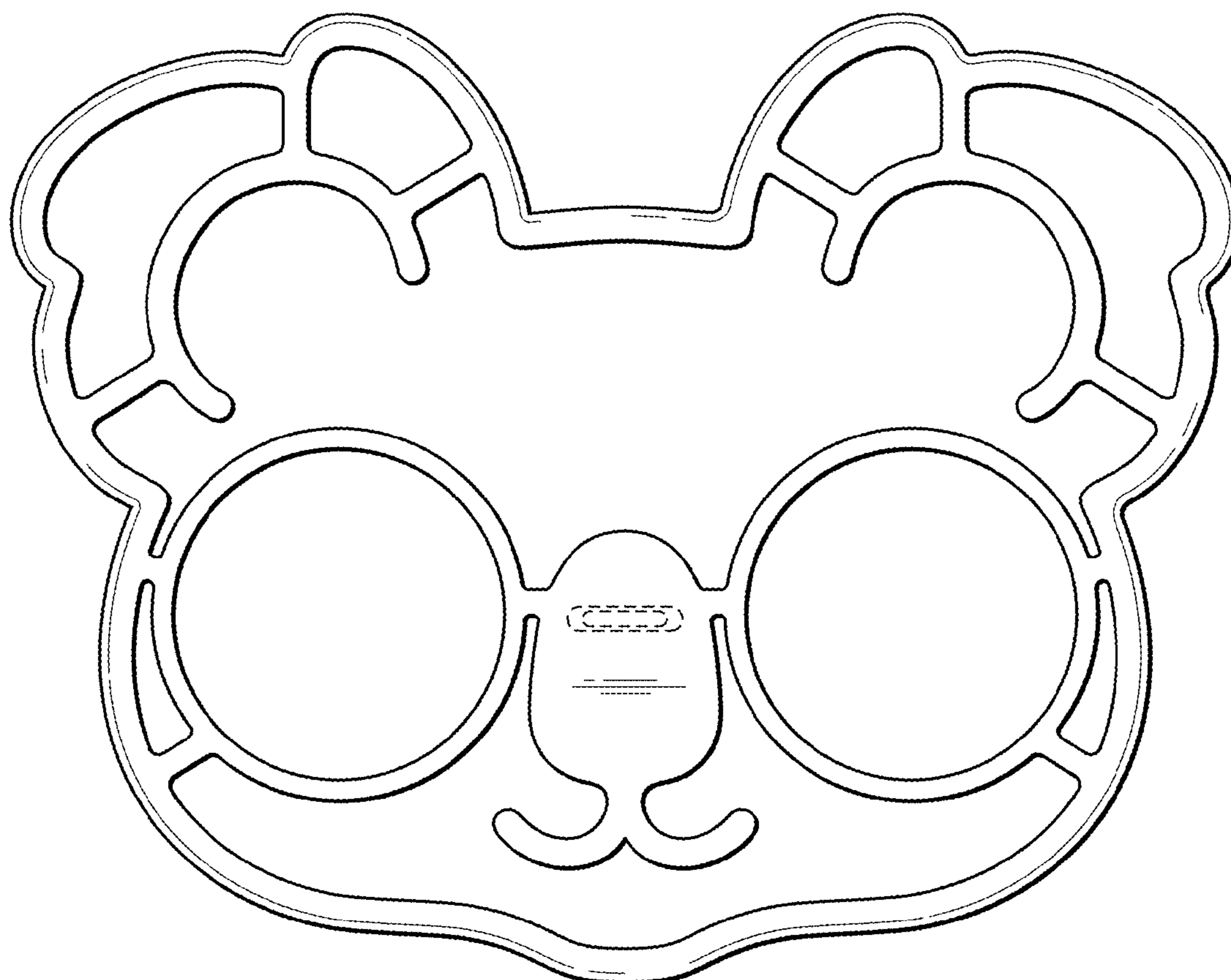


FIG. 2

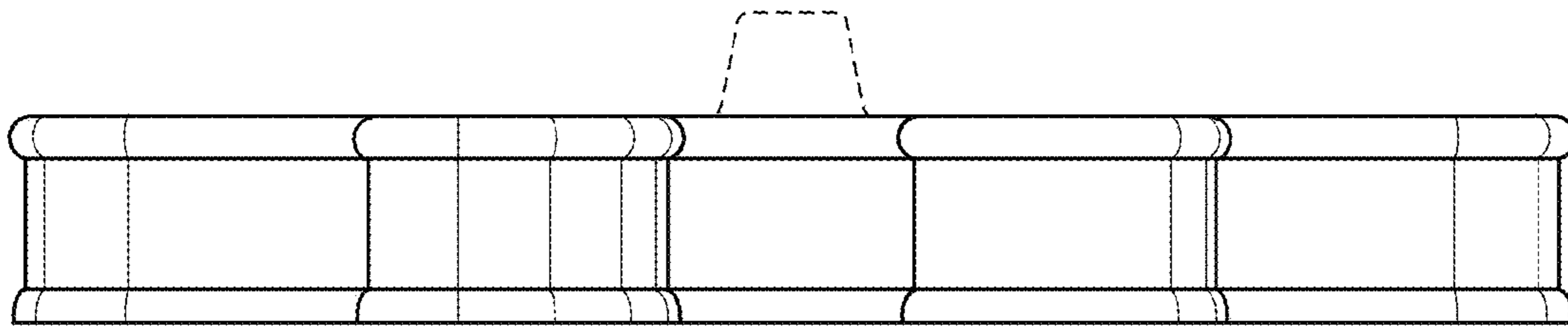


FIG. 3

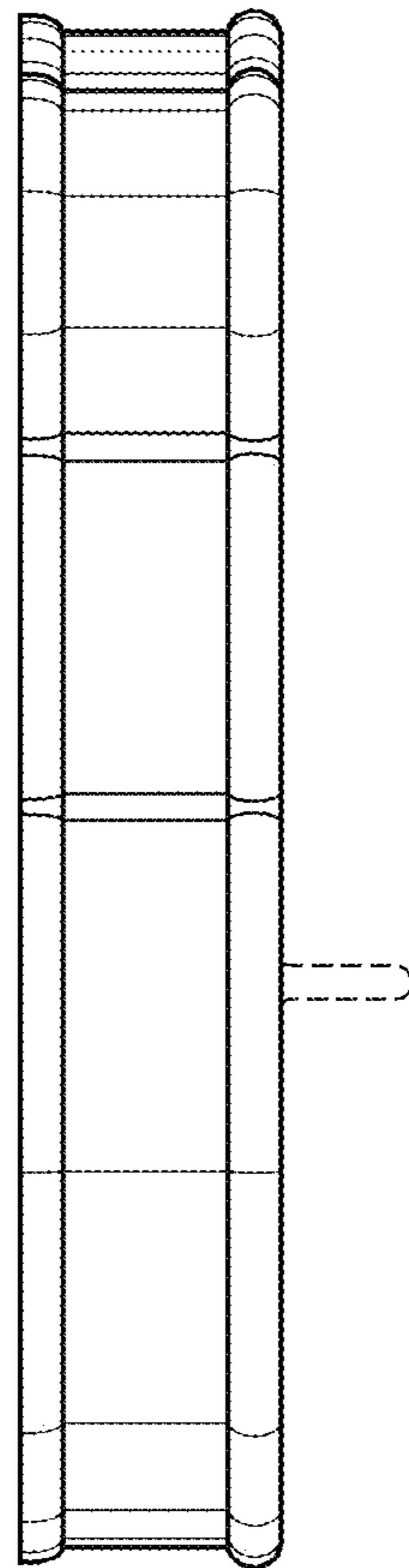


FIG. 4

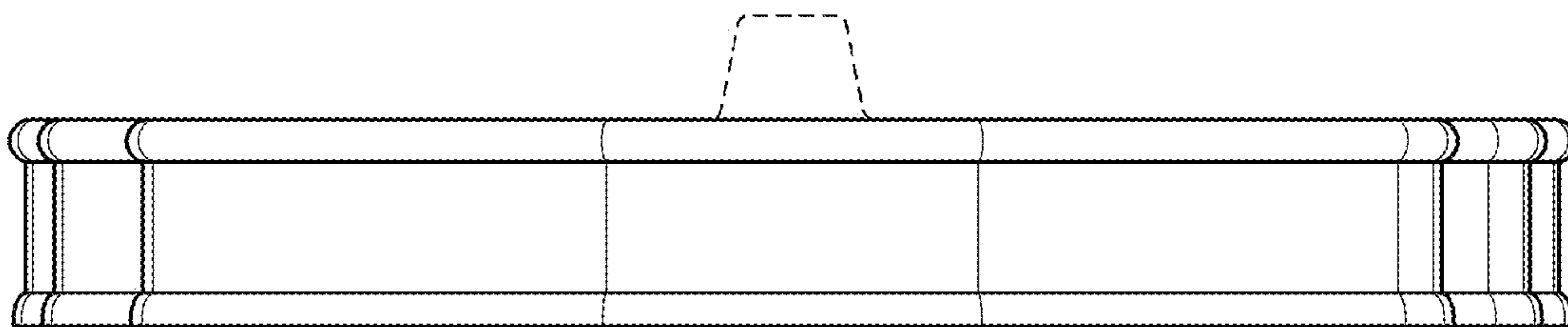


FIG. 5

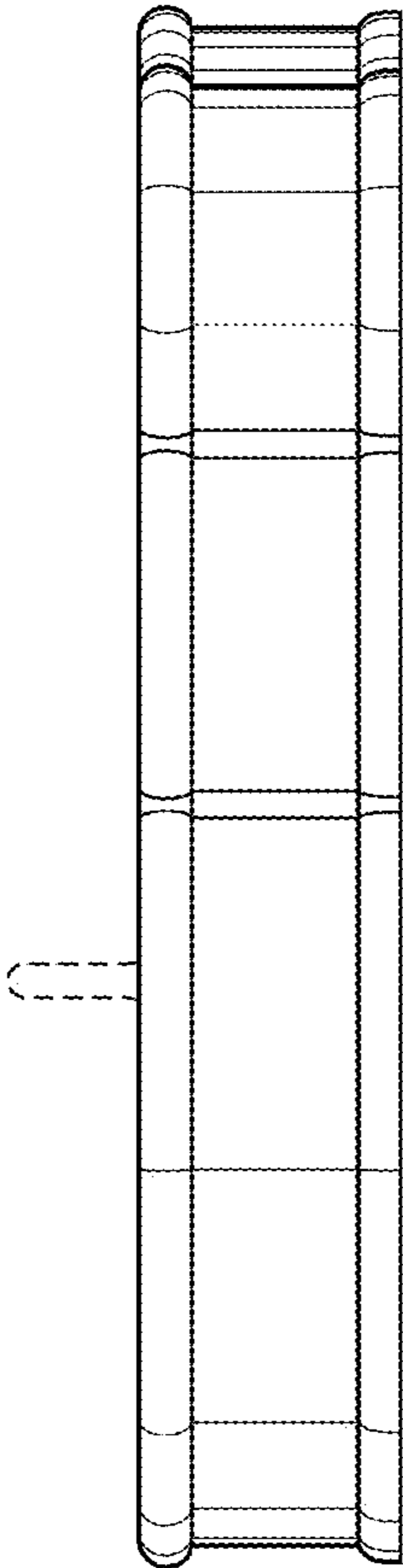


FIG. 6

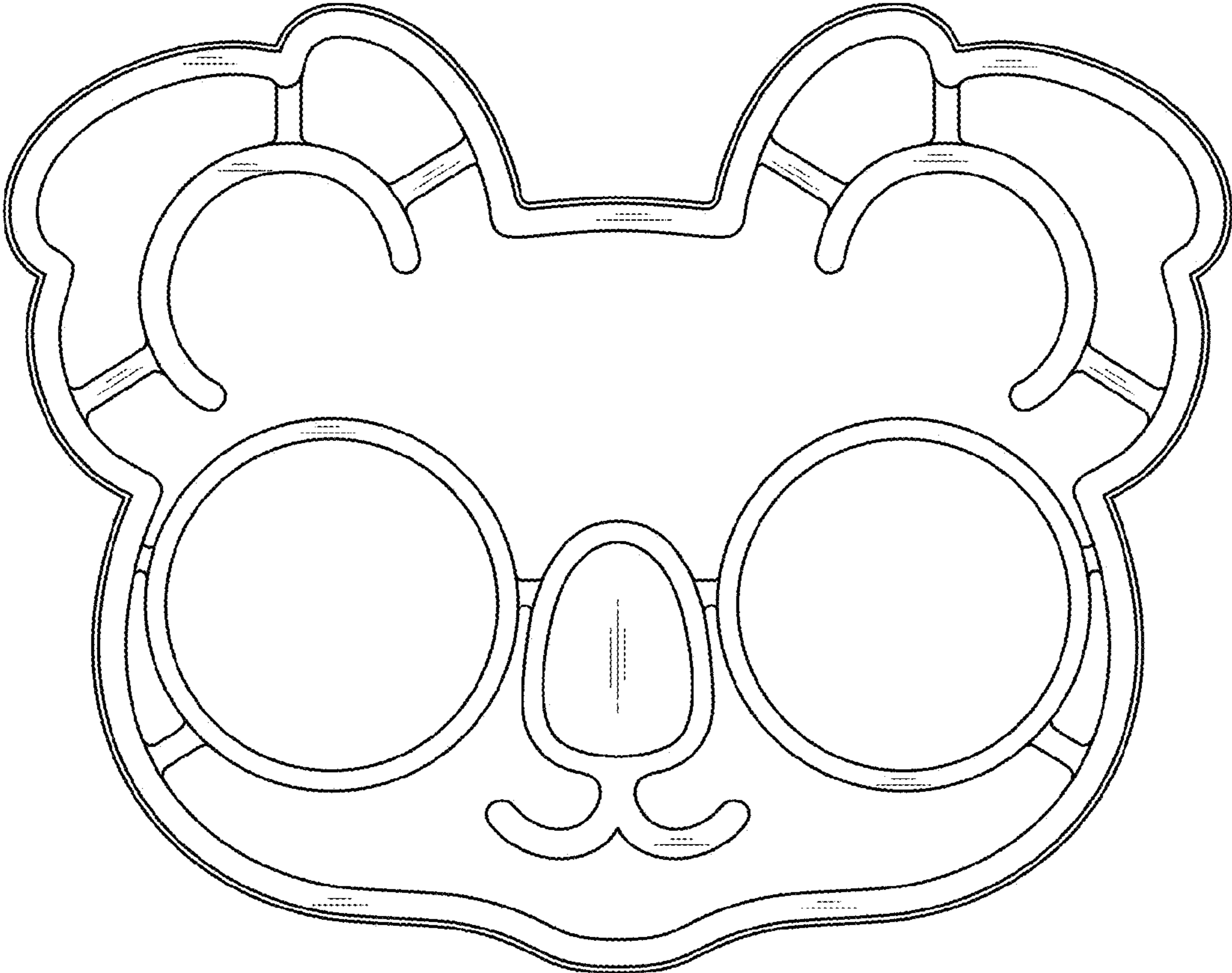


FIG. 7