



US00D946981S

(12) **United States Design Patent**
Farshad et al.

(10) **Patent No.:** **US D946,981 S**
(45) **Date of Patent:** **** Mar. 29, 2022**

(54) **MOLD**
(71) Applicants: **SWPS Uniwersytet Humanistycznospoleczny**, Warsaw (PL); **Mohammad Farshad**, Poznan (PL); **Ladan Zadfar**, Poznan (PL)
(72) Inventors: **Mohammad Farshad**, Poznan (PL); **Ladan Zadfar**, Poznan (PL)
(73) Assignee: **SWPS UNIVERSITY OF SOCIAL SCIENCES AND HUMANITIES**, Warsaw (PL)
(**) Term: **15 Years**

D353,968 S * 1/1995 Cock D7/352
D368,414 S * 4/1996 VanHalteren D7/675
5,934,496 A * 8/1999 Mogard B65B 7/2878
220/258.3
D447,684 S * 9/2001 Hogman D9/757
6,505,809 B1 * 1/2003 Reed A21B 3/132
249/129
6,860,191 B2 * 3/2005 Jackson A47J 37/0611
99/340
D506,146 S * 6/2005 Hall D9/757
D606,421 S * 12/2009 Krummenacher D9/757
D643,243 S * 8/2011 Harrod D7/352
D663,590 S * 7/2012 Muspratt-Williams D7/674
D672,212 S * 12/2012 Augis D7/672
8,327,757 B1 * 12/2012 Sack A47J 37/0611
99/372
D677,528 S * 3/2013 Kwon D7/409

(21) Appl. No.: **35/510,207**

(22) Filed: **Jun. 18, 2020**

(80) **Hague Agreement Data**

Int. Filing Date: **Jun. 18, 2020**
Int. Reg. No.: **DM/210027**
Int. Reg. Date: **Jun. 18, 2020**
Int. Reg. Pub. Date: **Sep. 4, 2020**

(51) **LOC (13) Cl.** **07-02**

(52) **U.S. Cl.**
USPC **D7/672**

(58) **Field of Classification Search**
USPC D7/300.1, 318, 319, 332, 337, 348,
D7/350.1, 354, 362, 402, 404, 509, 510,
D7/511, 533, 604, 609, 611, 615, 649,
D7/652, 653, 664, 671, 672, 674, 683,
D7/691, 698, 701, 703, 708
CPC . A21B 2/00; A47J 43/27; A47G 19/22; H05B
6/64

See application file for complete search history.

(56) **References Cited**

U.S. PATENT DOCUMENTS

3,131,846 A * 5/1964 Whiteford B65D 85/324
206/521.8
4,516,923 A * 5/1985 Lifshitz A21C 11/00
249/12

(Continued)

Primary Examiner — Karen S Acker

(74) *Attorney, Agent, or Firm* — Ziegler IP Law Group, LLC

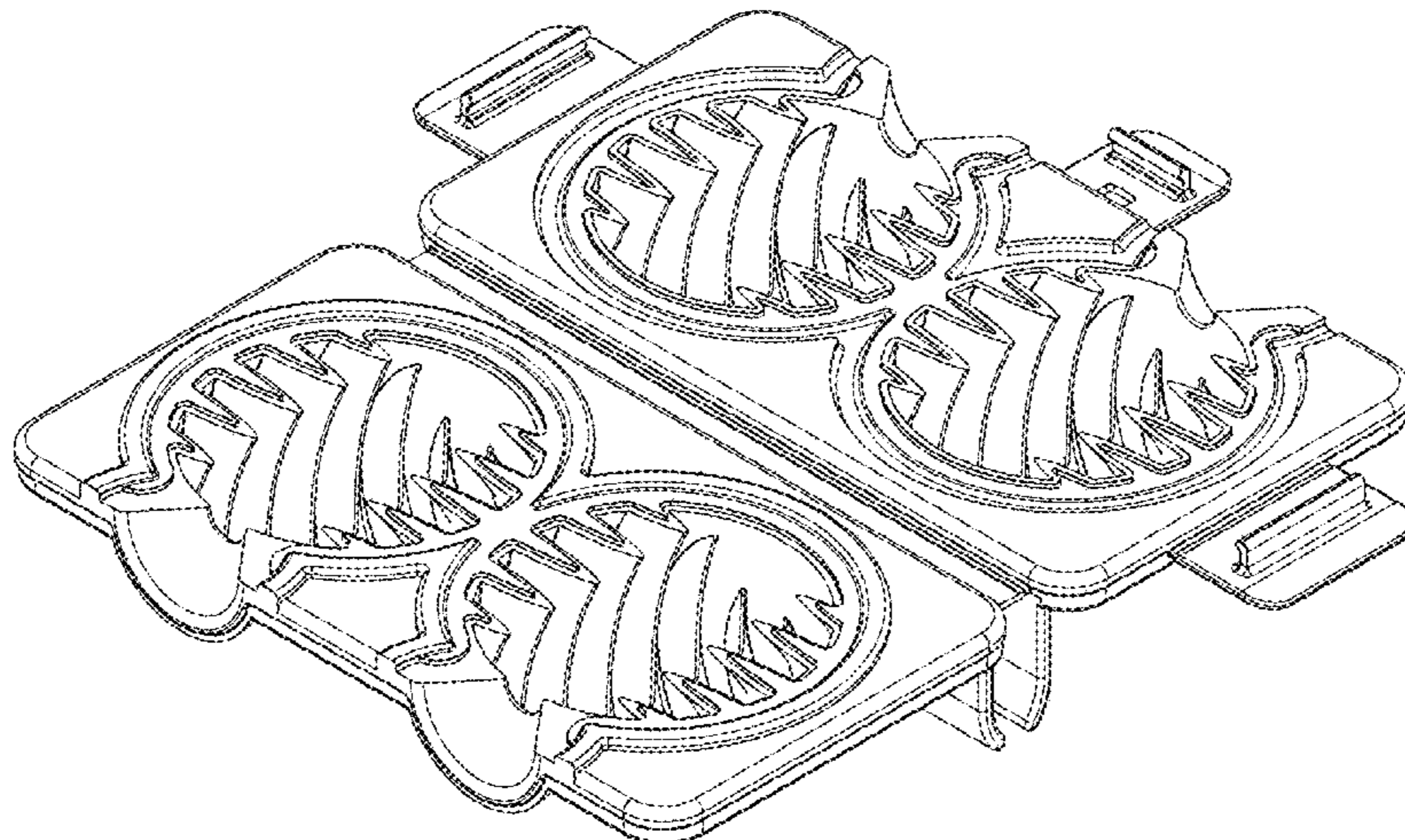
(57) **CLAIM**

The ornamental design for a mold, as shown and described.

DESCRIPTION

- 1. Mold
- 1.1 is a frontal perspective view of the mold unfolded.
- 1.2 is a right and frontal perspective view, thereof.
- 1.3 is an exploded view, thereof.
- 1.4 is a perspective view of the mortise part of the mold of figure 1.1.
- 1.5 is a perspective view of the tenon part of the mold of figure 1.1.
- 1.6 is a bottom perspective view of the holder part of the mold of figure 1.1
- 1.7 is a folded perspective view, thereof.
- 1.8 is an exploded view, thereof.

1 Claim, 8 Drawing Sheets



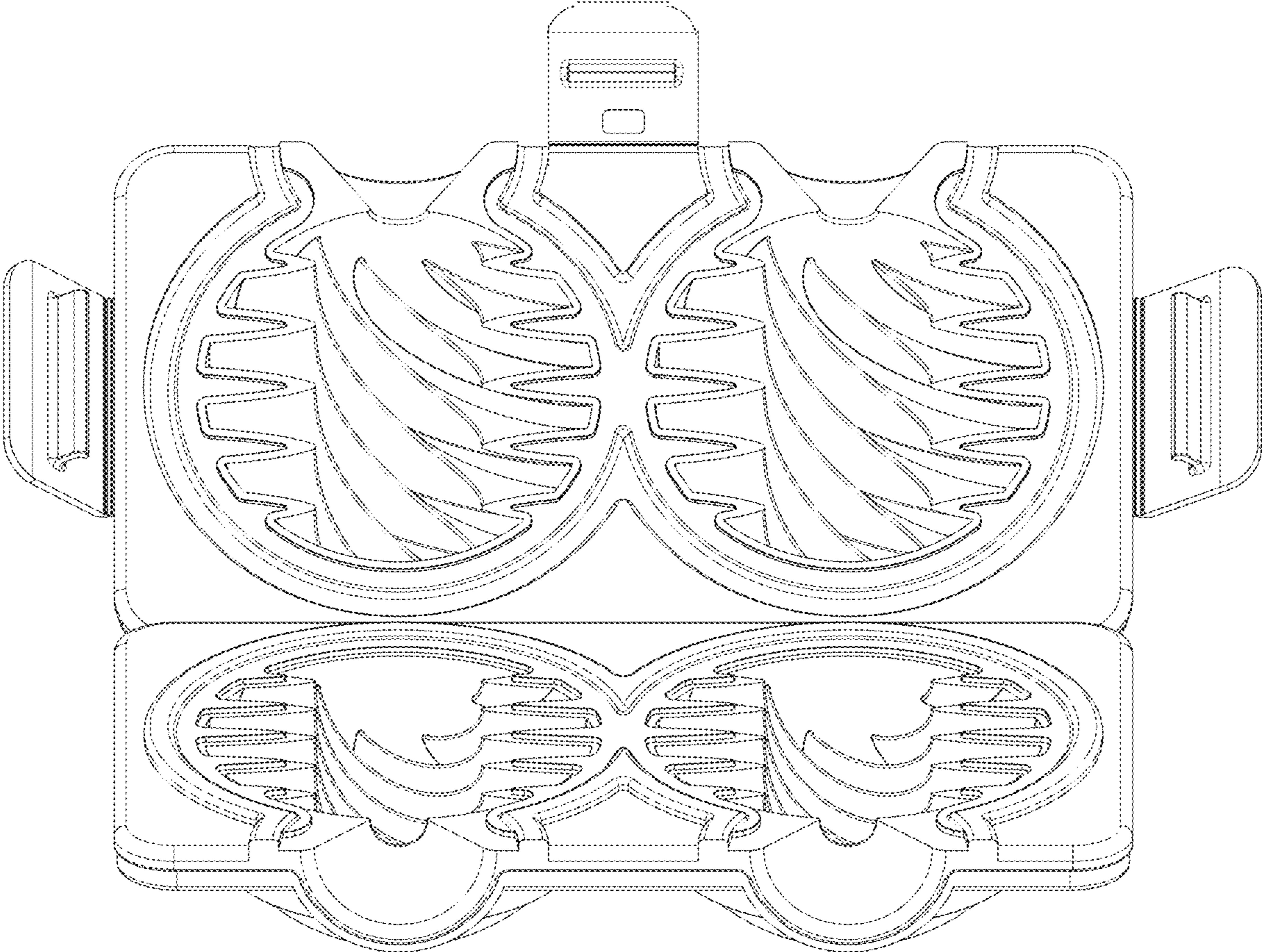
(56)

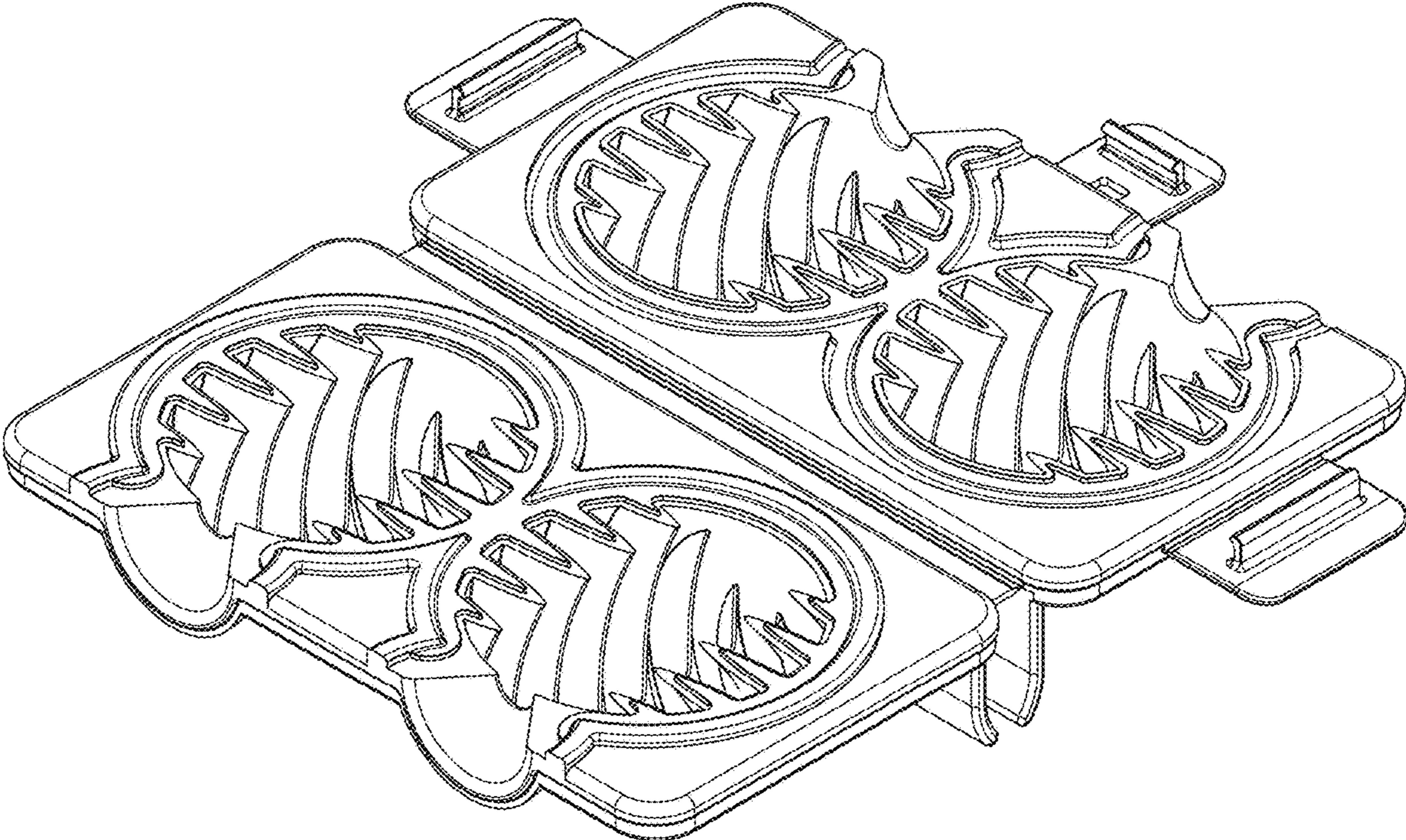
References Cited

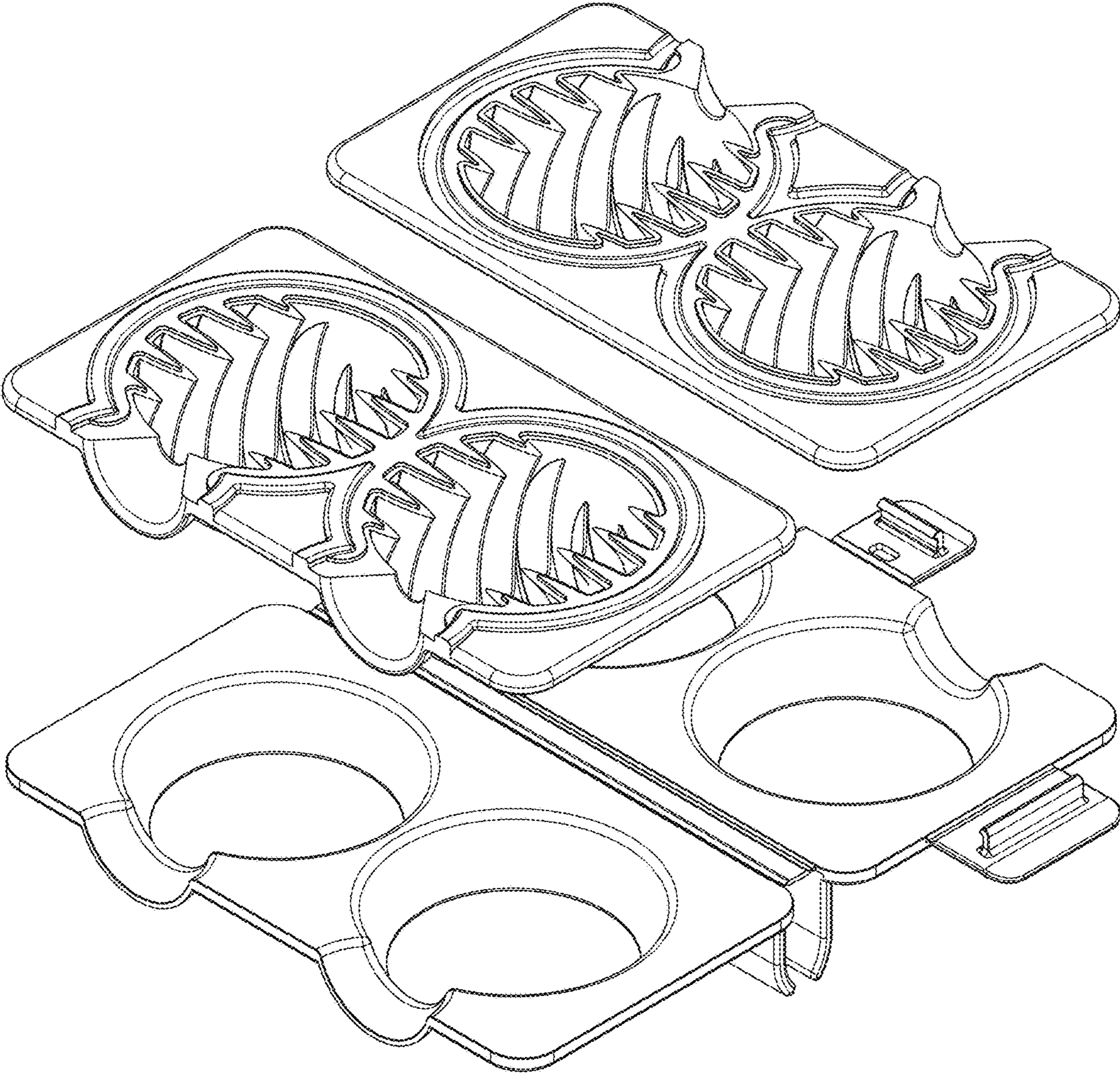
U.S. PATENT DOCUMENTS

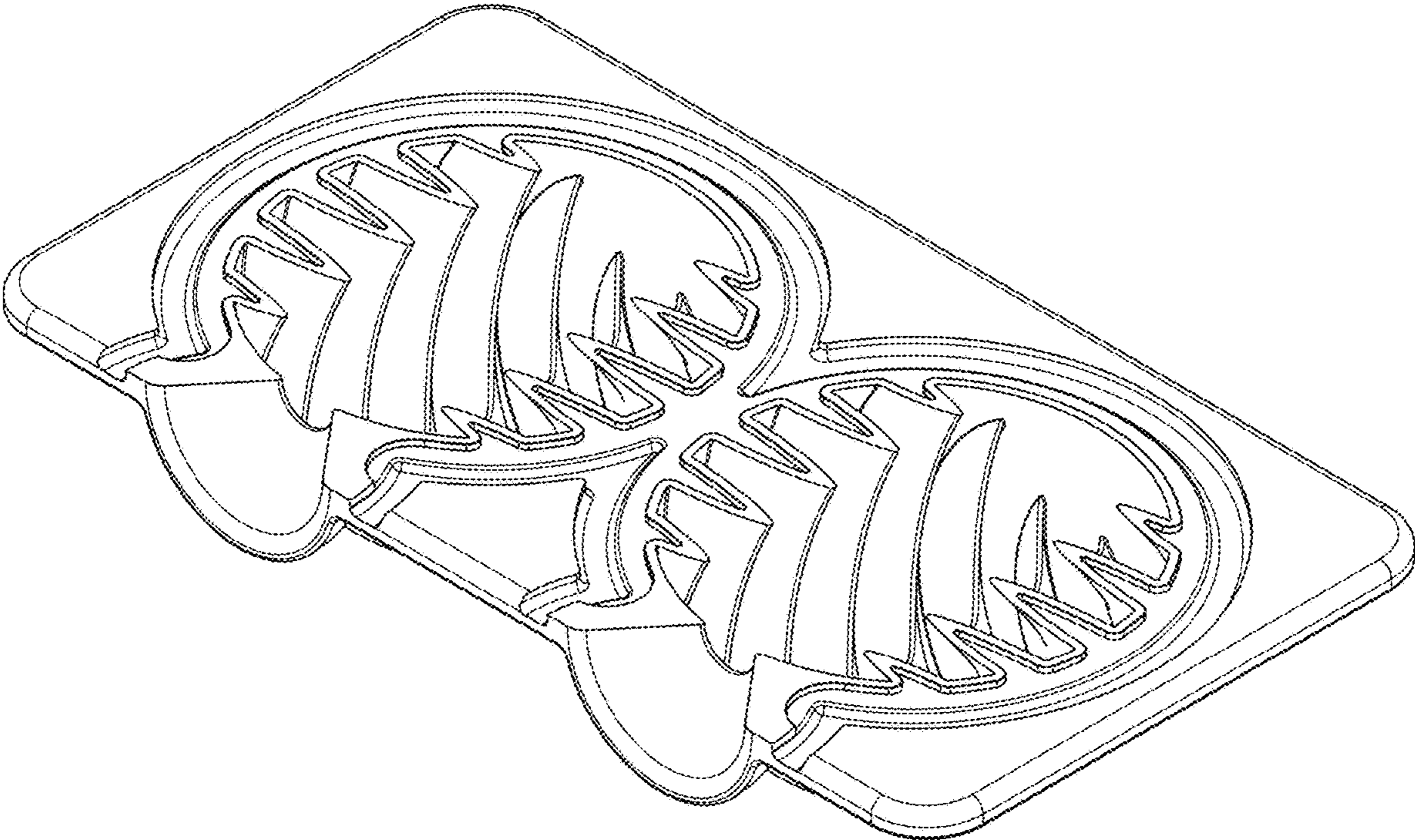
D679,134 S * 4/2013 Valera A21C 11/00
D7/409
D679,136 S * 4/2013 Valera D7/409
D679,138 S * 4/2013 Valera D7/409
D687,681 S * 8/2013 Barber D7/674
D698,196 S * 1/2014 Barber D7/357
D735,520 S * 8/2015 Mandil D7/354
D782,334 S * 3/2017 Bishop D9/757
D848,780 S * 5/2019 Lombardo D7/357
D856,061 S * 8/2019 Lombardo D7/357
D859,909 S * 9/2019 Murad D7/357
D918,970 S * 5/2021 Zhai D15/90
D923,067 S * 6/2021 Zhao D15/90
2019/0117014 A1 * 4/2019 Omelchenko A47J 37/0892

* cited by examiner

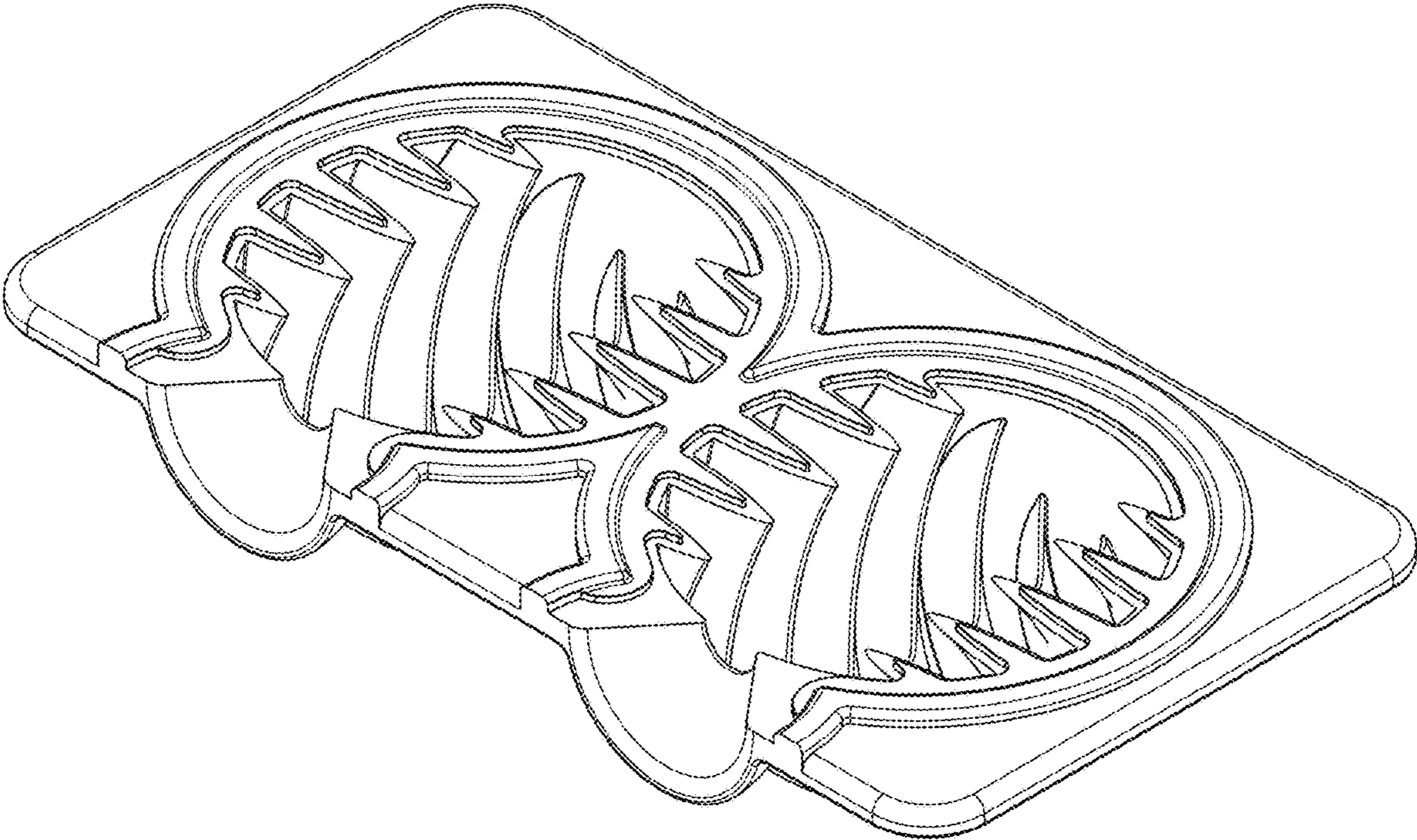




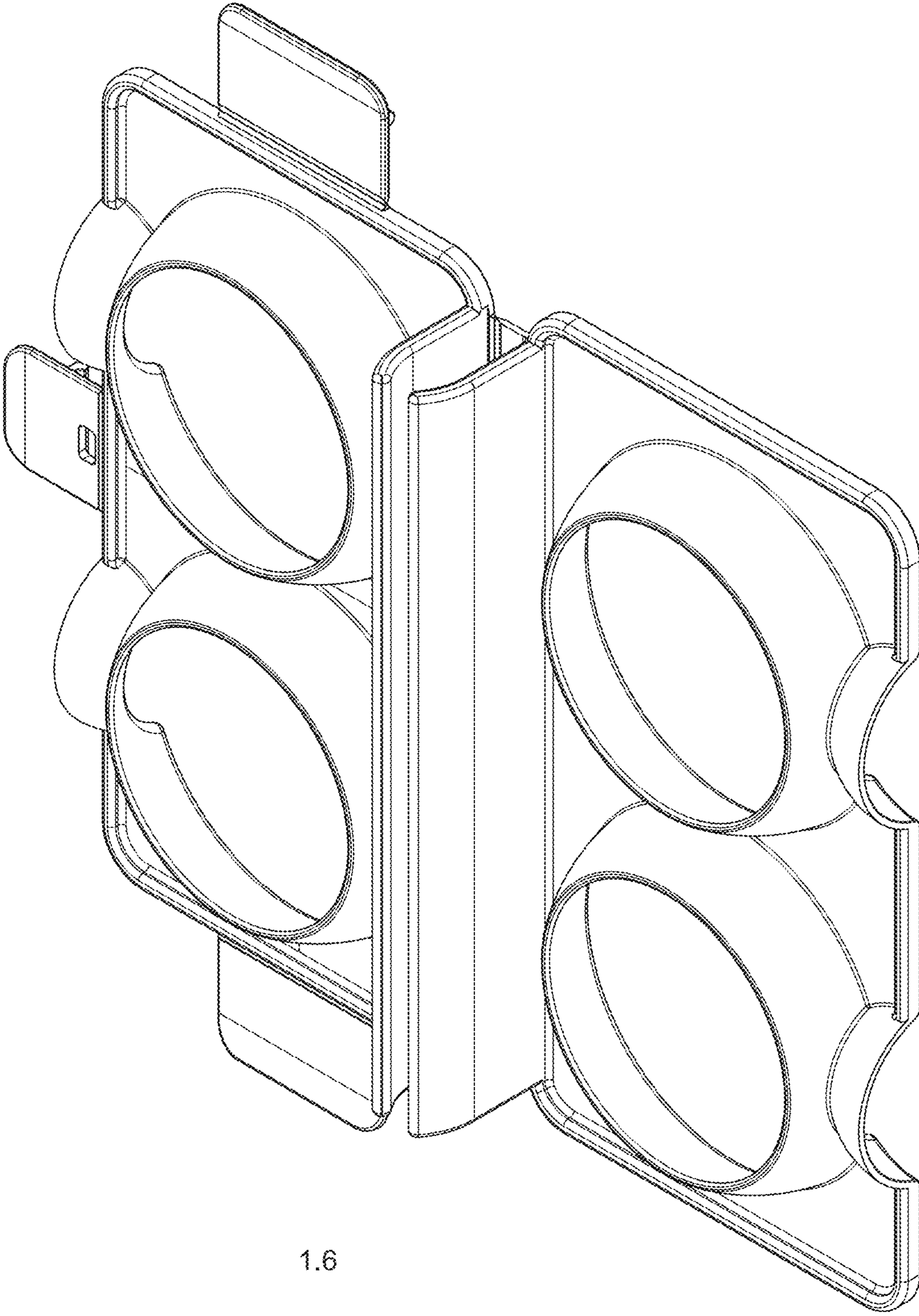




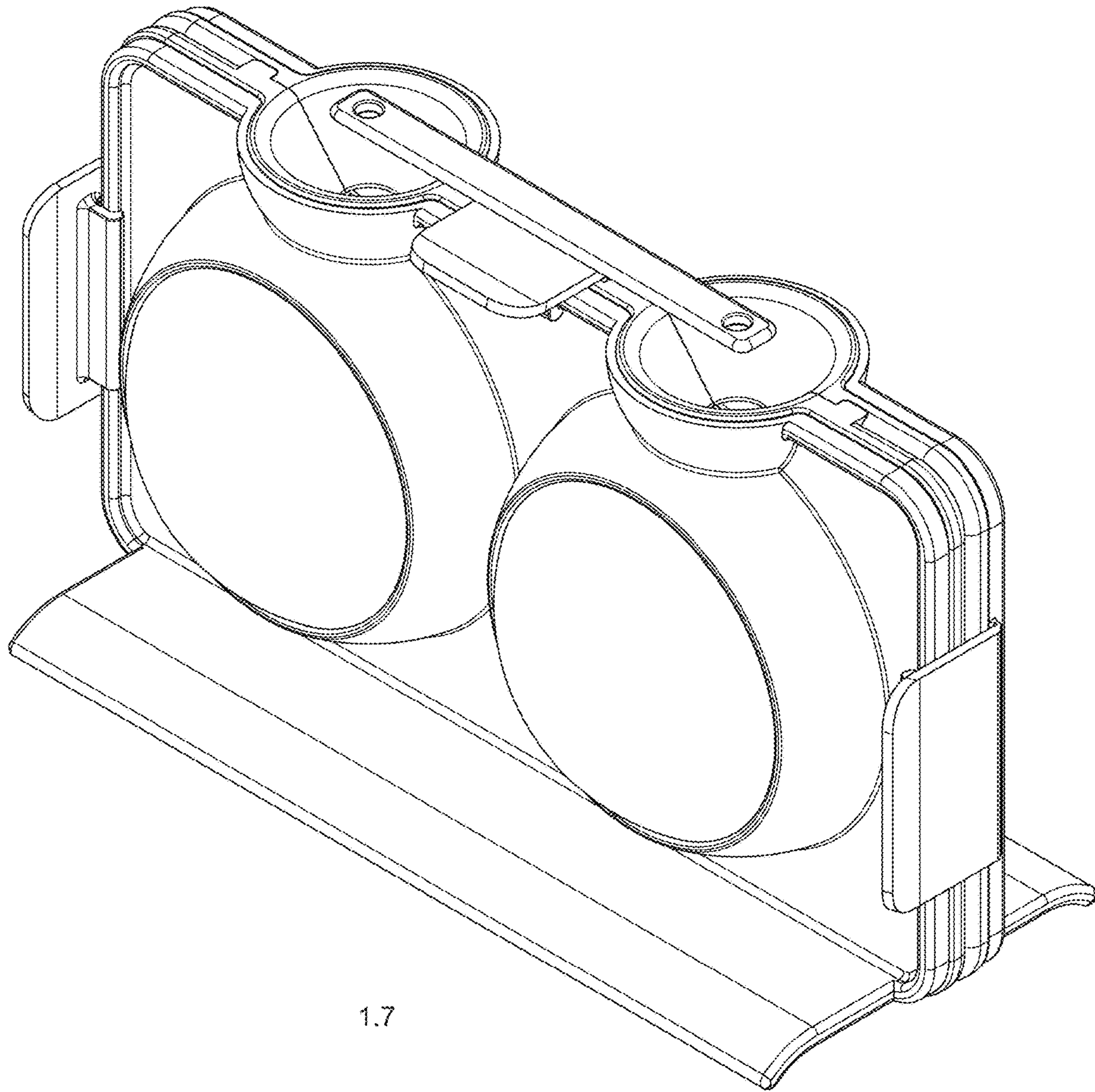
1.4



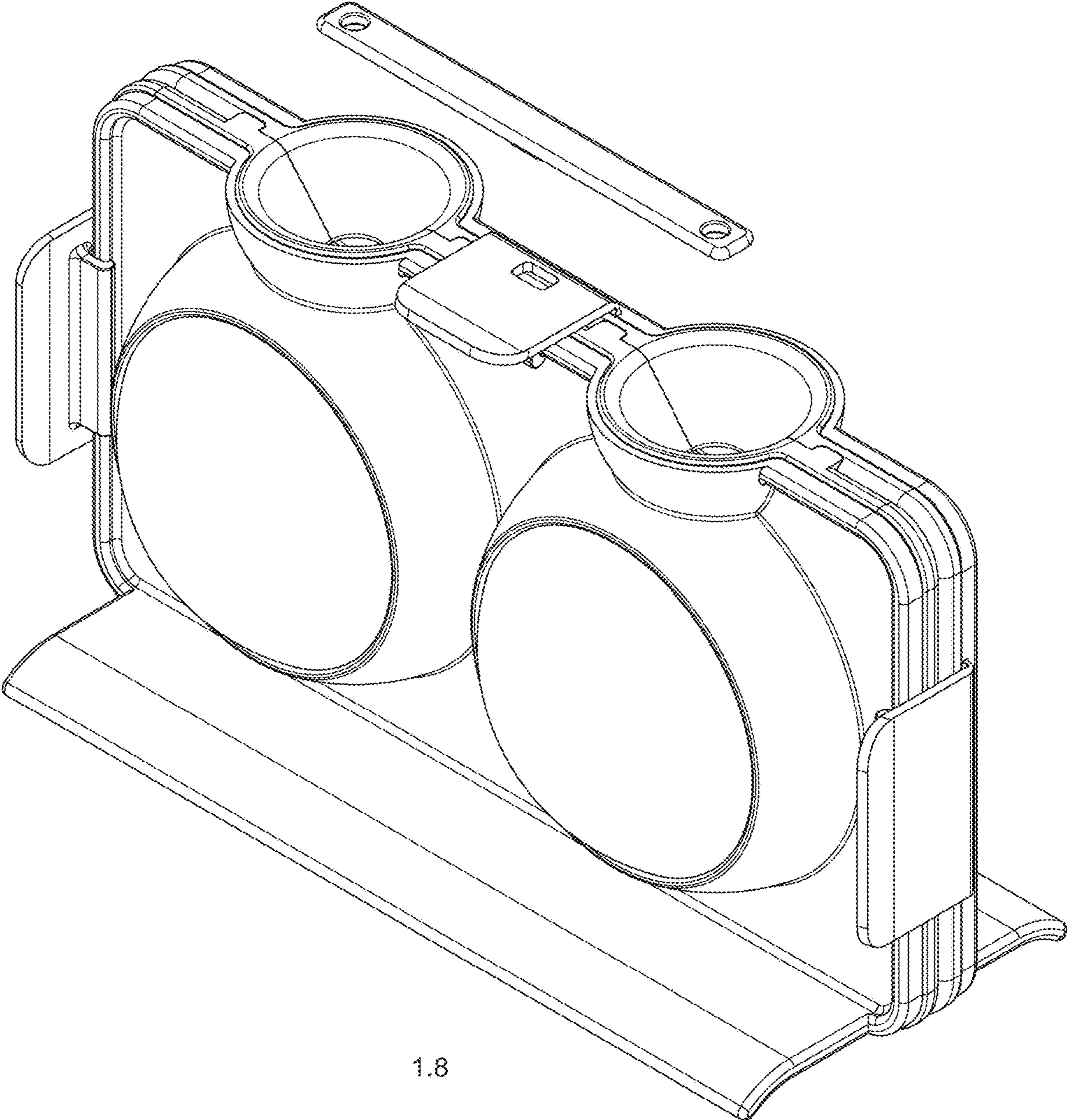
1.5



1.6



1.7



1.8