

US00D946980S

(12) **United States Design Patent**
Zheng

(10) **Patent No.:** **US D946,980 S**

(45) **Date of Patent:** **** Mar. 29, 2022**

(54) **POPSICLE MOLD**

(71) Applicant: **Fuhong Zheng**, Lufeng (CN)

(72) Inventor: **Fuhong Zheng**, Lufeng (CN)

(**) Term: **15 Years**

(21) Appl. No.: **29/777,048**

(22) Filed: **Apr. 2, 2021**

(51) **LOC (13) Cl.** **07-04**

(52) **U.S. Cl.**
USPC **D7/672**

(58) **Field of Classification Search**
USPC D7/672-677, 357; D9/456; D15/90
CPC .. A47J 43/25; A47J 43/20; A23G 9/26; A23G
9/503; A23G 9/221
See application file for complete search history.

(56) **References Cited**

U.S. PATENT DOCUMENTS

- 1,987,945 A * 1/1935 Schnaler A23G 9/221
249/92
- 2,175,324 A * 10/1939 Stamp A23G 9/26
249/92
- 2,819,690 A * 1/1958 Baker A23G 9/221
249/92
- D188,992 S * 10/1960 Morrison D7/672
- D210,308 S * 2/1968 Gaspard D7/672
- D269,578 S * 7/1983 Straubinger D7/672
- D421,369 S * 3/2000 Samarasinghe D7/673
- D613,132 S * 4/2010 Frank D7/672
- D642,022 S * 7/2011 Zorovich D7/672
- D651,450 S * 1/2012 Pal D7/368
- D676,289 S * 2/2013 Lion D7/672
- D690,169 S * 9/2013 Zorovich D7/672
- D796,273 S * 9/2017 Knauf D7/672
- D862,179 S * 10/2019 Pereira Da Silva D7/672
- D902,670 S * 11/2020 Pawluskiwicz D7/672

- D921,067 S * 6/2021 Chen D15/90
- D923,067 S * 6/2021 Zhao D15/90
- 2014/0197300 A1* 7/2014 Zorovich A23G 9/503
249/127

FOREIGN PATENT DOCUMENTS

- CN 306271728 * 1/2021
- JP D1150177 * 6/2002
- WO D094429-002 * 1/2017

OTHER PUBLICATIONS

KooteK, Upgrade Popsicle Molds, Apr. 25, 2019, Amazon, <https://www.amazon.com/KooteK-Popsicle-Reusable-Home-made-Popsicles/dp/B07R5X7XC1> (Year: 2019).*

Tovolo, Ice Pop Monsters, Mar. 23, 2016, Amazon, <https://www.amazon.com/Tovolo-Monsters-Flexible-Characters-Dishwasher/dp/B01DC7MJ7O> (Year: 2016).*

* cited by examiner

Primary Examiner — Brett Miller

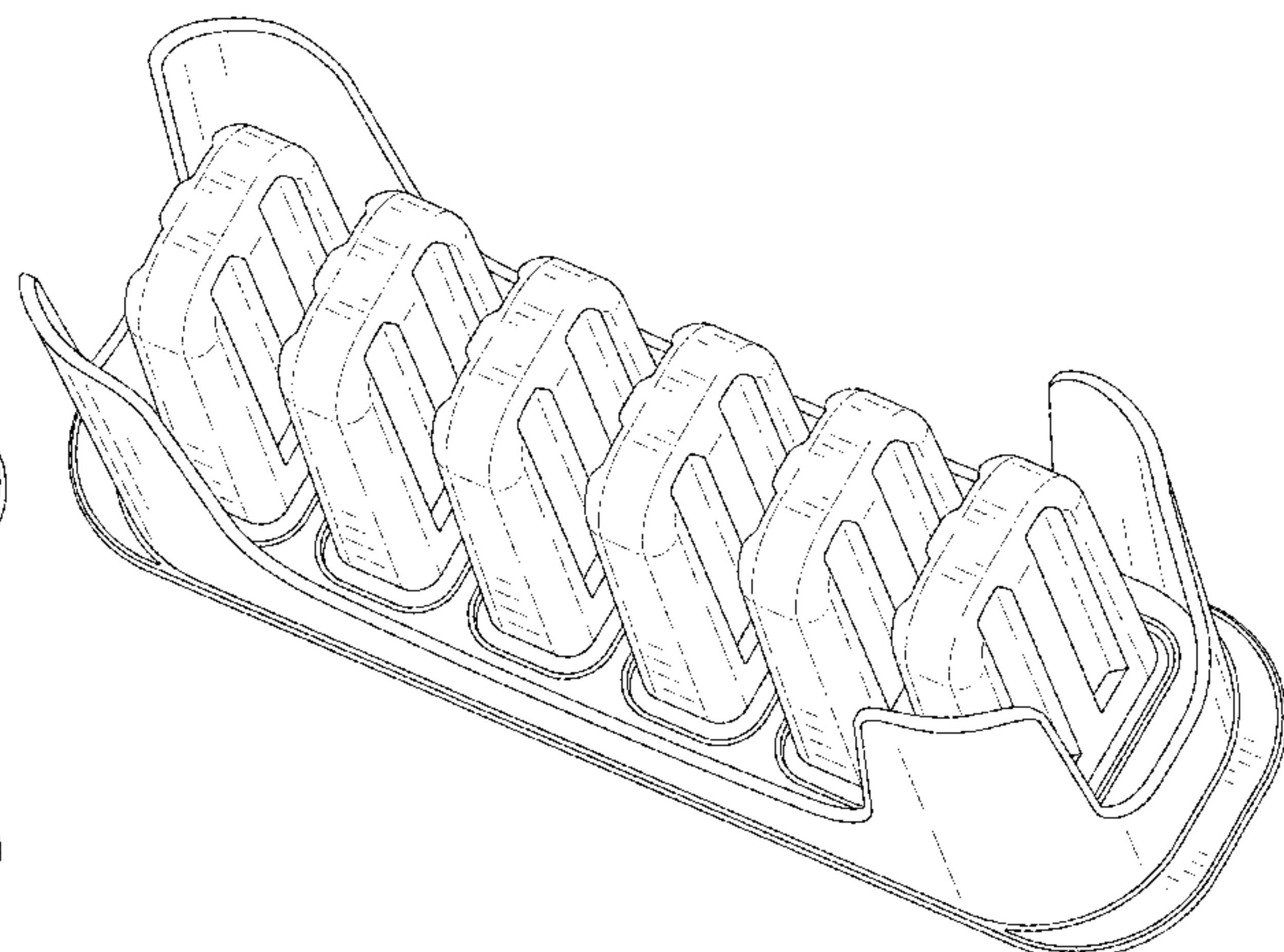
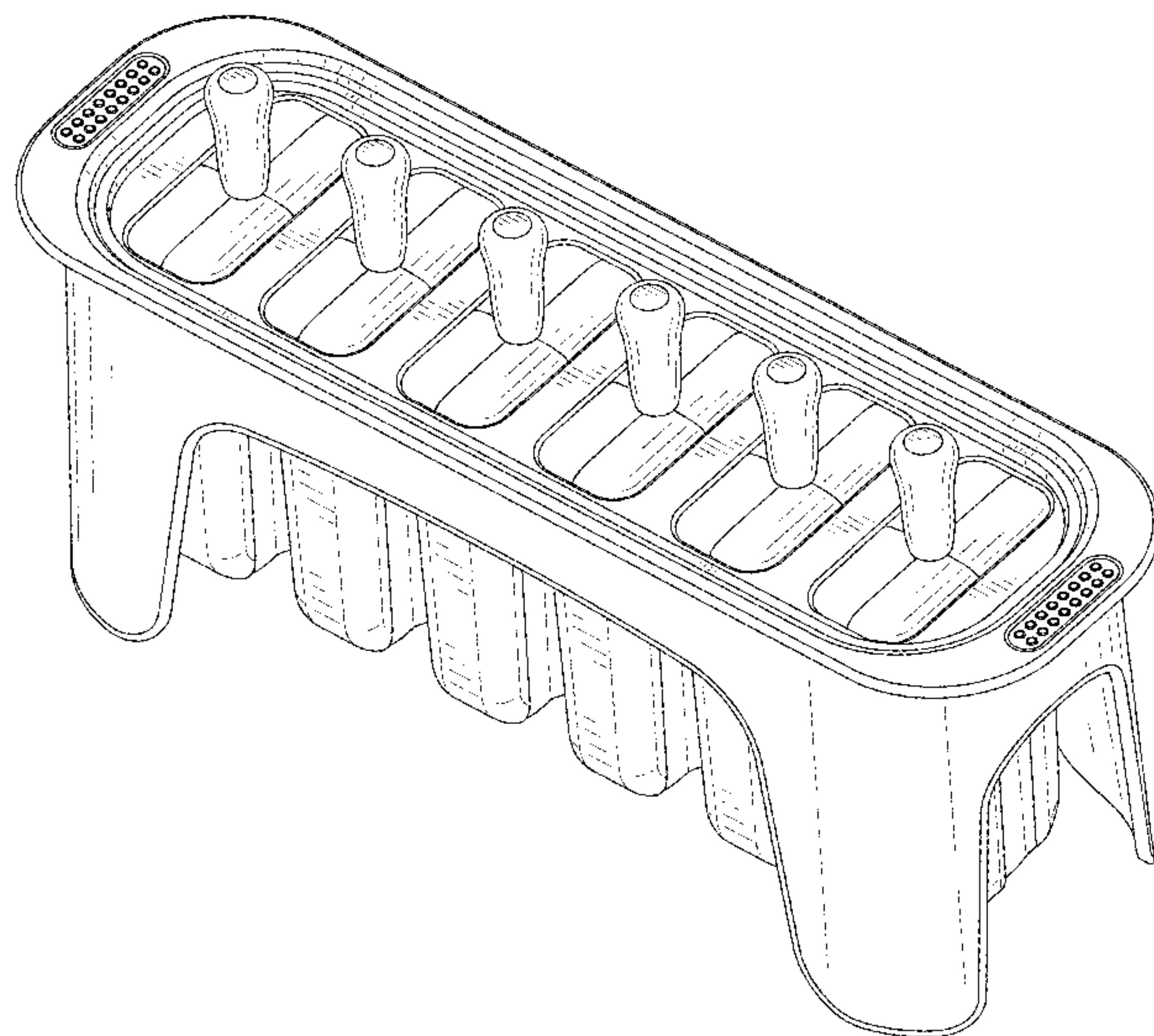
(57) **CLAIM**

The ornamental design for a popsicle mold, as shown and described.

DESCRIPTION

FIG. 1 is a front elevational view of a popsicle mold showing my new design;
FIG. 2 is a rear elevational view thereof;
FIG. 3 is a left side elevational view thereof;
FIG. 4 is a right side elevational view thereof;
FIG. 5 is a top plan view thereof; and,
FIG. 6 is a bottom plan view thereof;
FIG. 7 is a perspective view thereof; and,
FIG. 8 is another perspective view thereof.

1 Claim, 8 Drawing Sheets



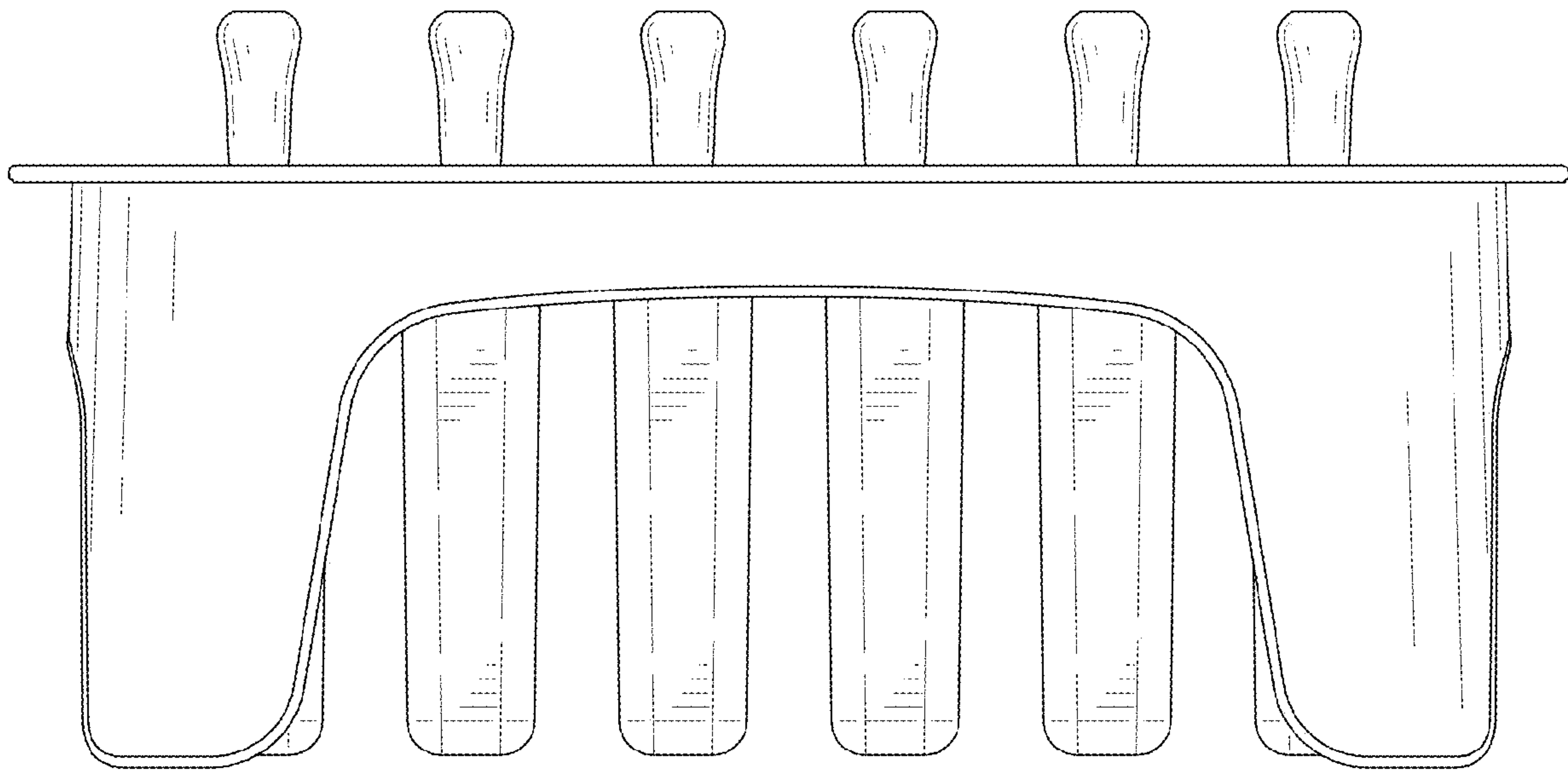


FIG. 1

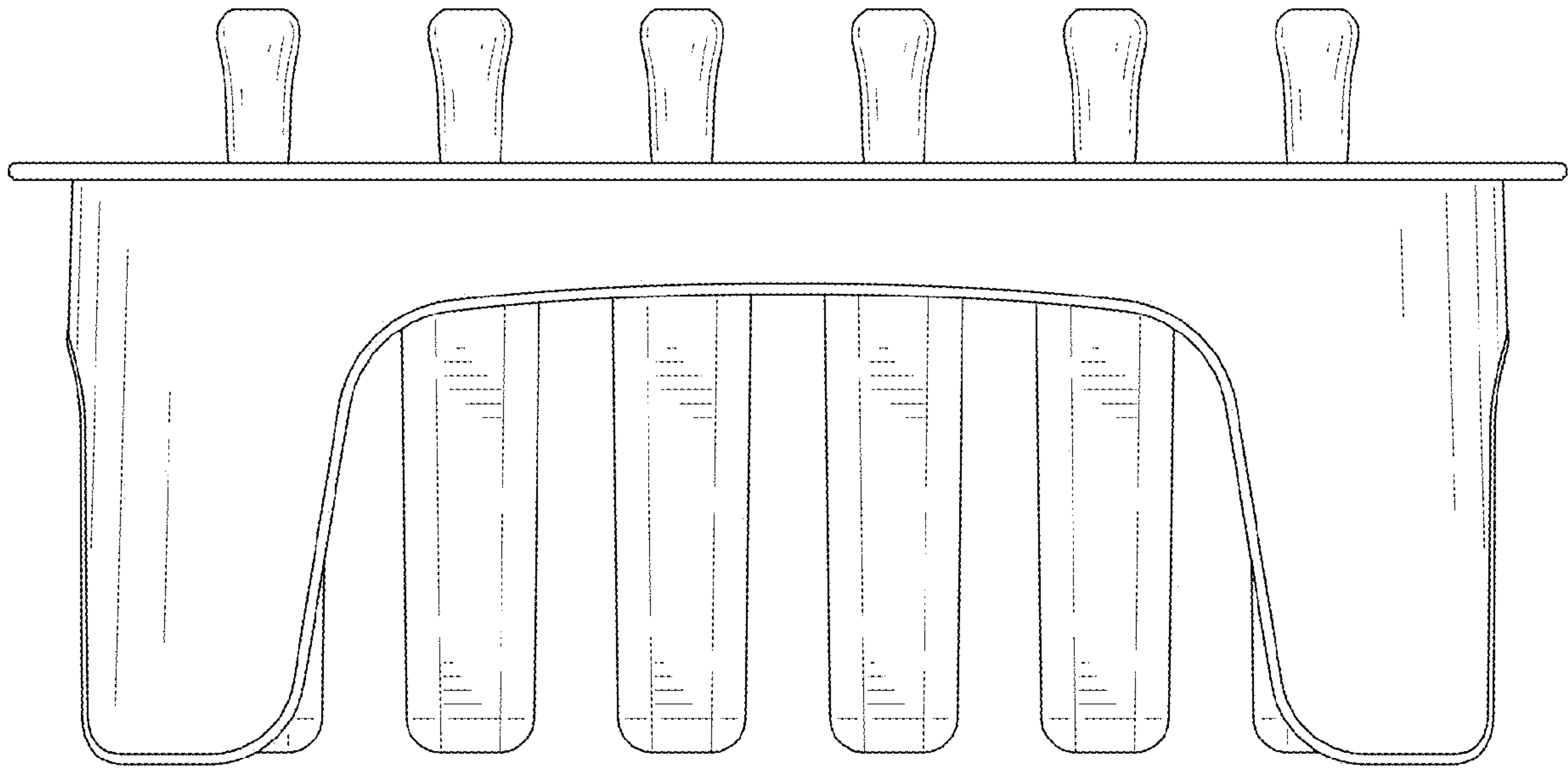


FIG. 2

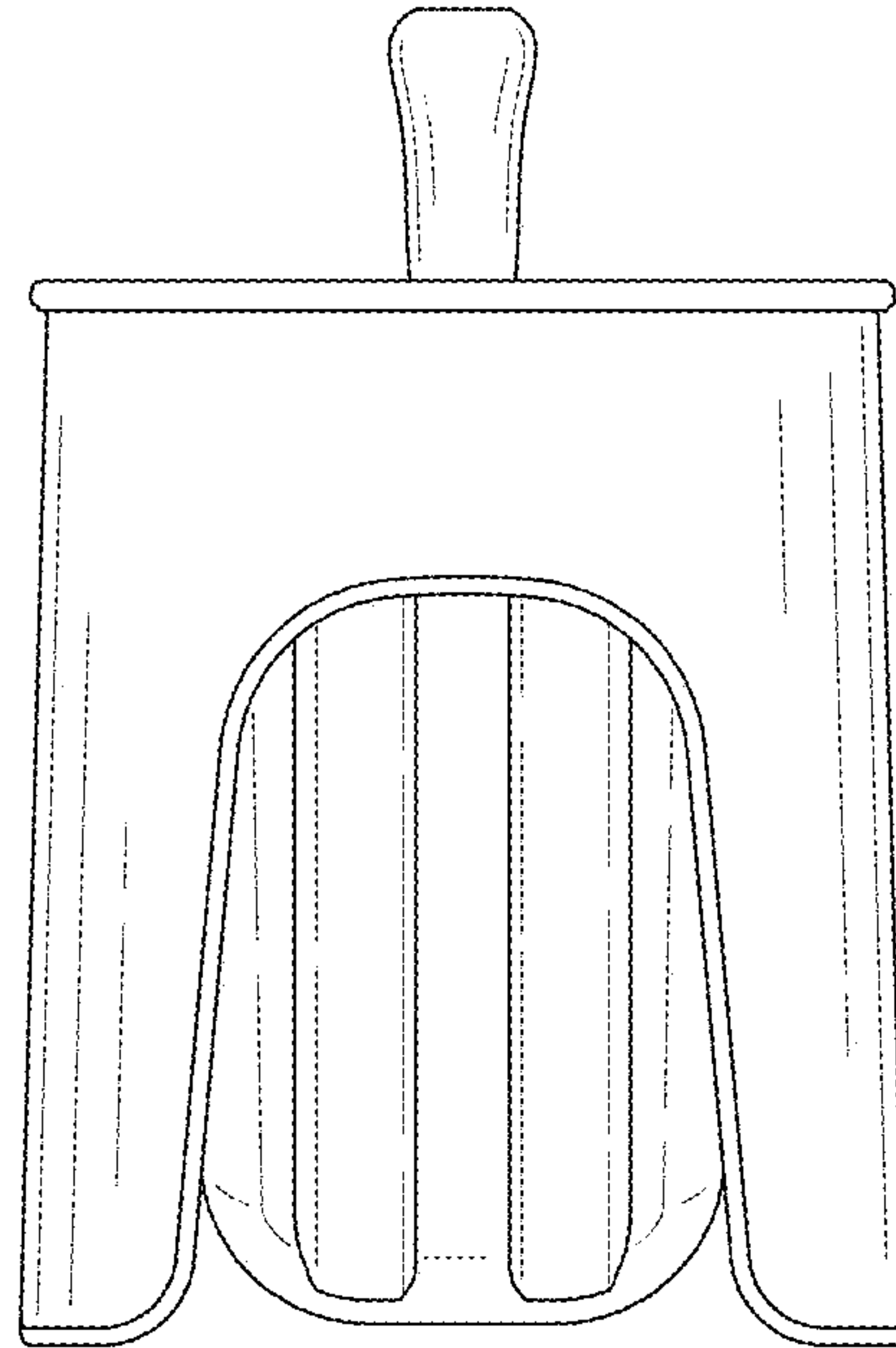


FIG. 3

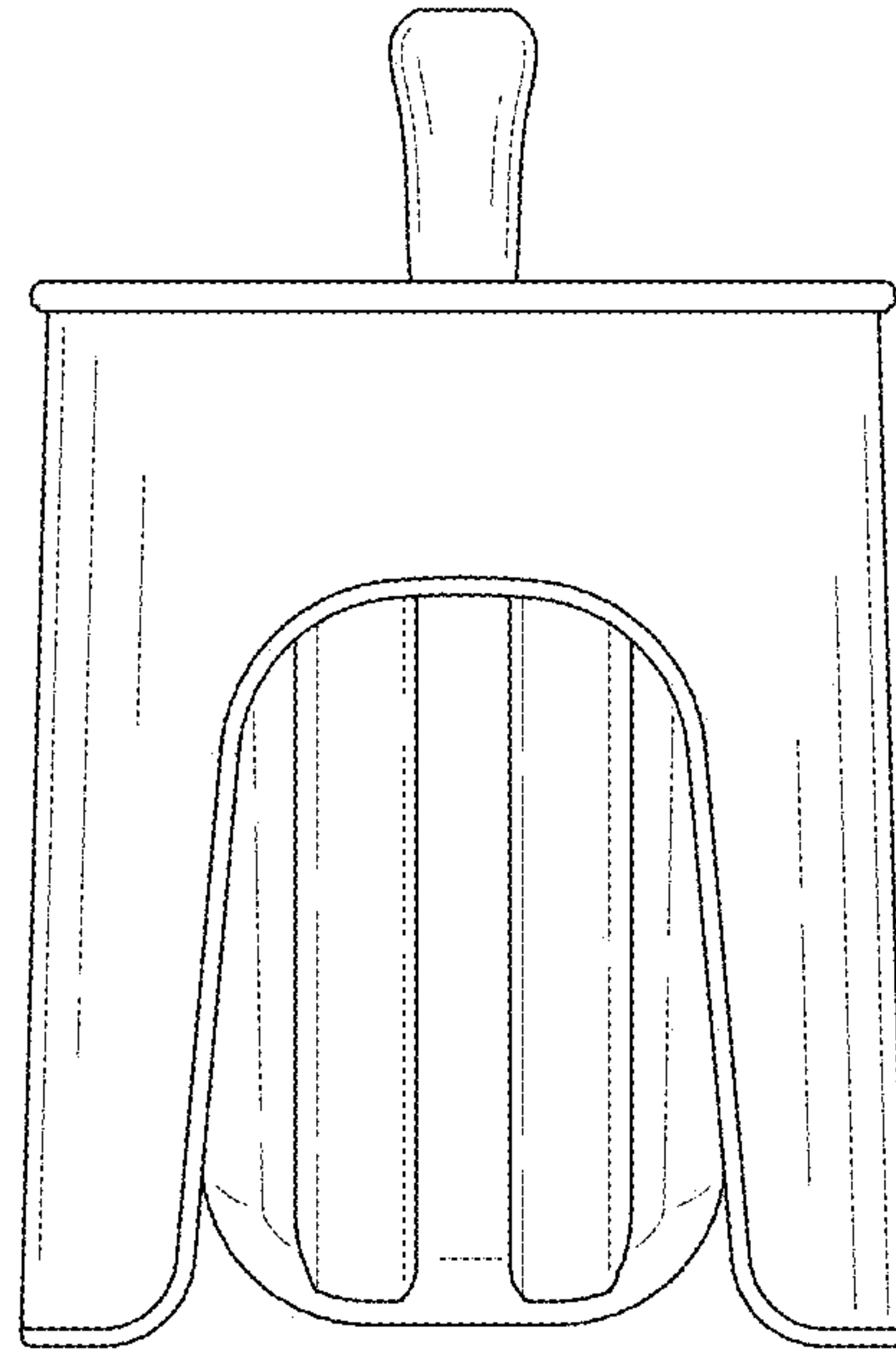


FIG. 4

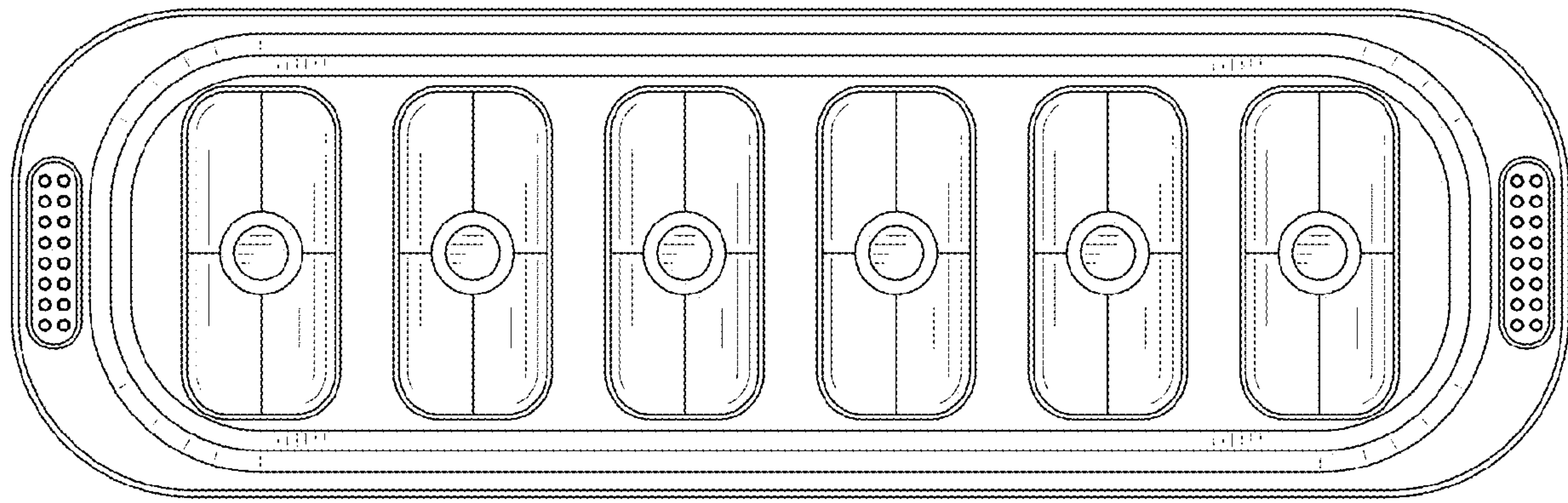


FIG. 5

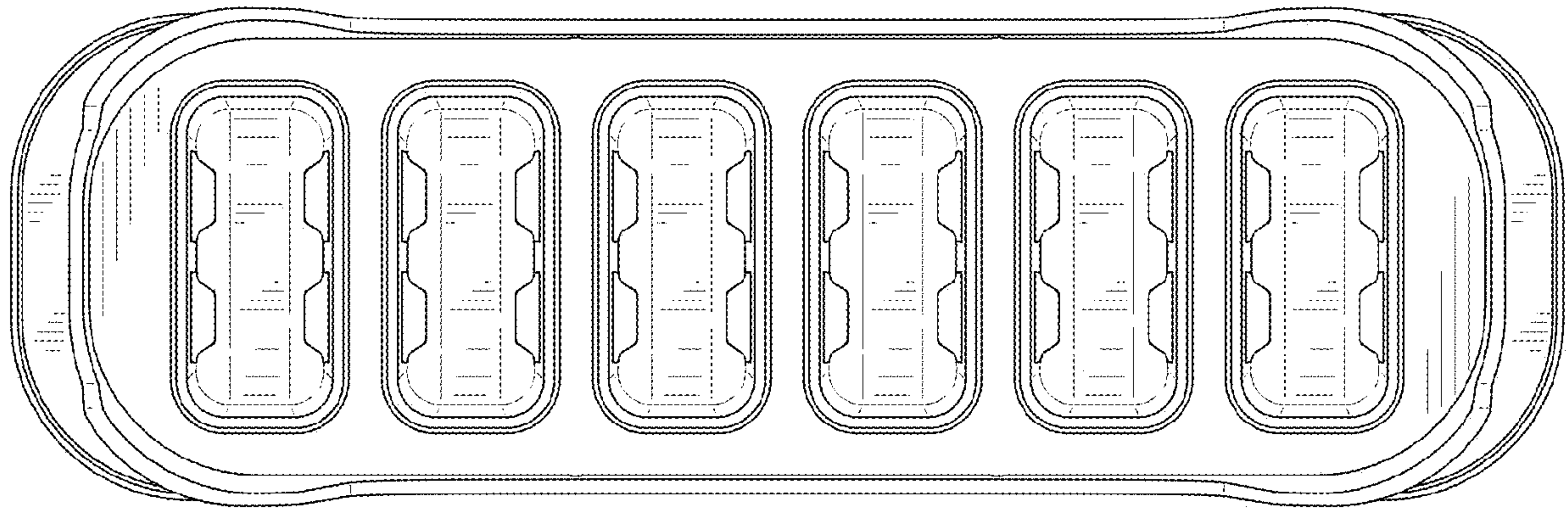


FIG. 6

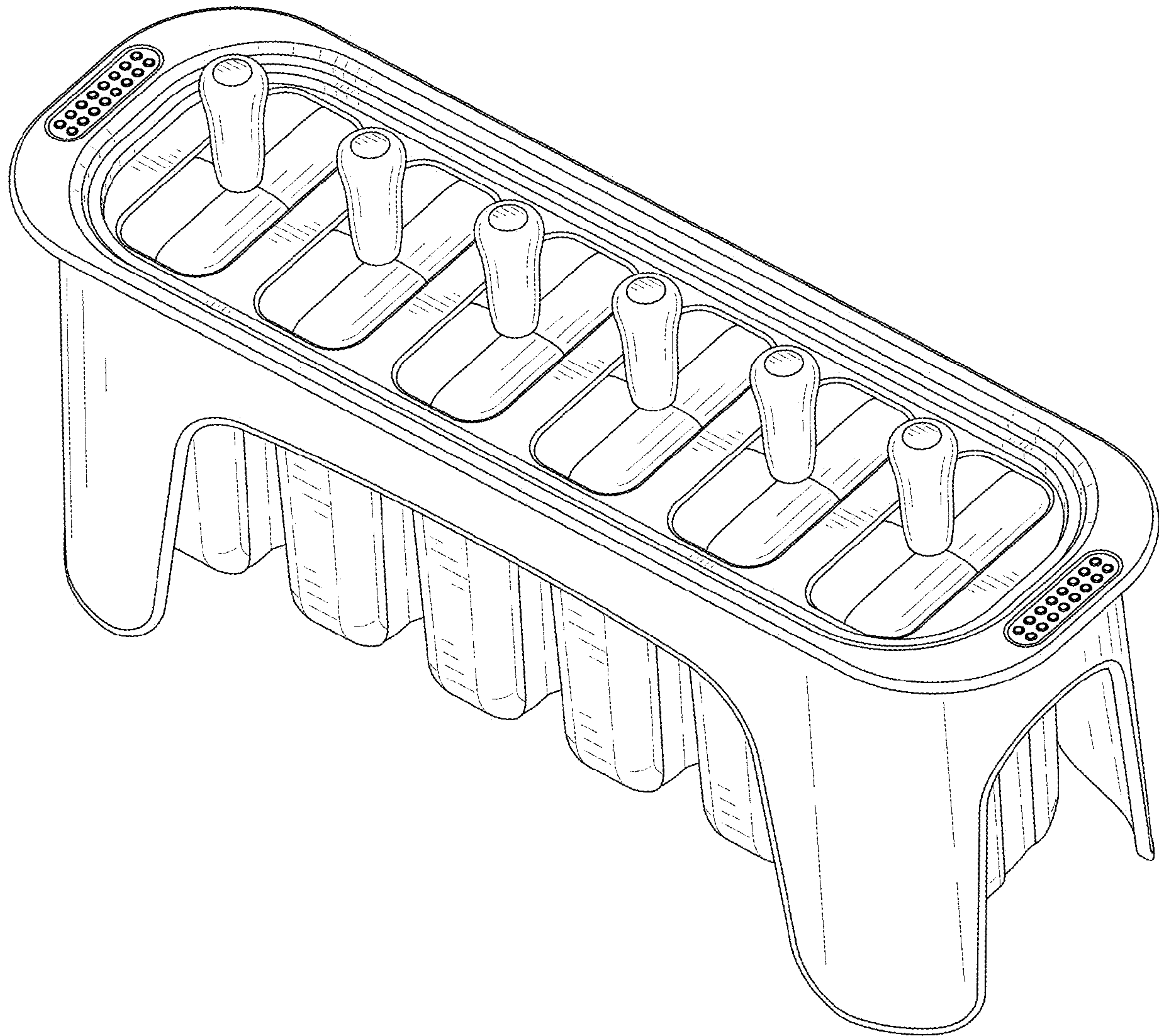


FIG. 7

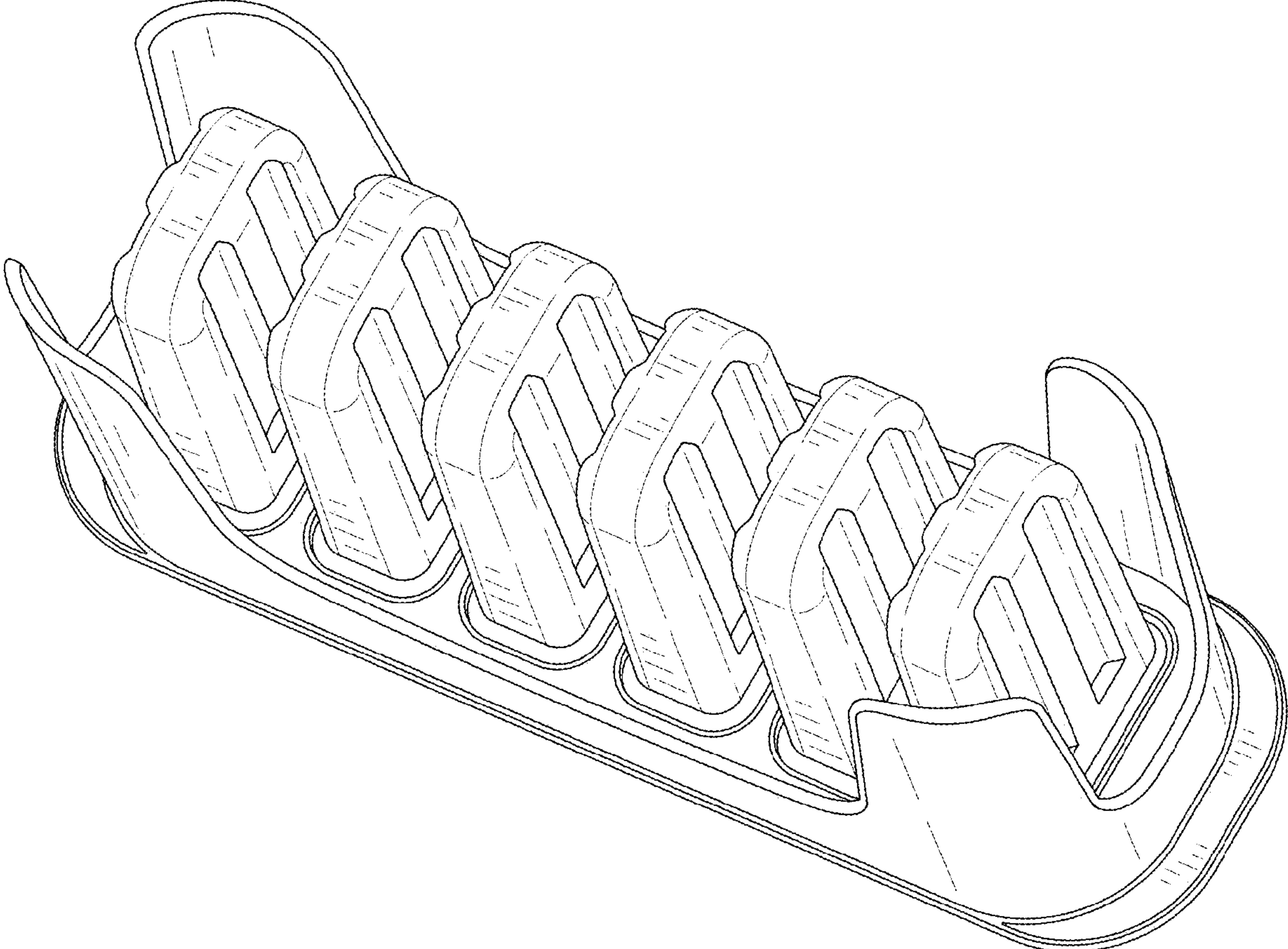


FIG. 8