

US00D946978S

(12) **United States Design Patent** (10) **Patent No.:** **US D946,978 S**
Wahl et al. (45) **Date of Patent:** **** Mar. 29, 2022**

(54) **FOOD CONTAINER**

(71) Applicant: **Pacific Market International, LLC**,
Seattle, WA (US)
(72) Inventors: **Andrew C. F. Wahl**, Seattle, WA (US);
Matthew Kenneth Dolph, Seattle, WA
(US)

(73) Assignee: **Pacific Market International, LLC**,
Seattle, WA (US)

(**) Term: **15 Years**

(21) Appl. No.: **29/719,766**

(22) Filed: **Jan. 7, 2020**

(51) **LOC (13) Cl.** **07-01**

(52) **U.S. Cl.**
USPC **D7/629; D7/608**

(58) **Field of Classification Search**
USPC D7/605-608, 509-511, 619.1-625, 629,
D7/630; D9/500, 502-505, 516, 549,
D9/557, 558

CPC B65D 81/3837; B65D 81/3839; B65D
81/3841; B65D 81/3844; B65D 81/3846;
B65D 81/3869; B65D 81/3881; B65D
81/3876; B65D 81/3865; B65D 81/38;
B65D 23/104; B65D 1/00; B65D 1/02;
B65D 2501/00; B65D 2501/0009; A47J
41/0005; A47J 41/0083; A47J 41/02;
A47J 41/024; A47J 41/026; A47J 41/028;
A47J 41/0077; A47J 41/00; A47J
41/0088; F25D 2331/803; F25D 3/08;
A45C 11/20

See application file for complete search history.

(56) **References Cited**

U.S. PATENT DOCUMENTS

D120,134 S 4/1940 Morrison
2,963,187 A * 12/1960 Bramming A47J 41/02
215/12.1

D234,110 S 1/1975 Achenbach
4,344,303 A 8/1982 Kelly, Jr.
4,462,444 A 7/1984 Larson
4,615,463 A 10/1986 Price et al.
D310,942 S 10/1990 Woodall
4,966,303 A 10/1990 Jones
D411,802 S * 7/1999 Hestehave D9/500
D437,528 S 2/2001 Kitamura et al.
6,332,557 B1 * 12/2001 Moran A47J 41/0083
215/12.1
D454,034 S 3/2002 McLaughlin
D495,875 S 9/2004 Spence, Jr.
D518,380 S 4/2006 Moran
D551,022 S 9/2007 Meehan

(Continued)

OTHER PUBLICATIONS

U.S. Appl. No. 29/719,765, filed Jan. 7, 2020.

(Continued)

Primary Examiner — Terry A Wallace

(74) *Attorney, Agent, or Firm* — George C. Rondeau, Jr.;
Davis Wright Tremaine, LLP

(57) **CLAIM**

The ornamental design for a food container, as shown and
described.

DESCRIPTION

FIG. 1 is a top perspective view of a food container showing
our new design.

FIG. 2 is a bottom perspective view thereof.

FIG. 3 is a left side view thereof.

FIG. 4 is a rear view thereof.

FIG. 5 is a right side view thereof.

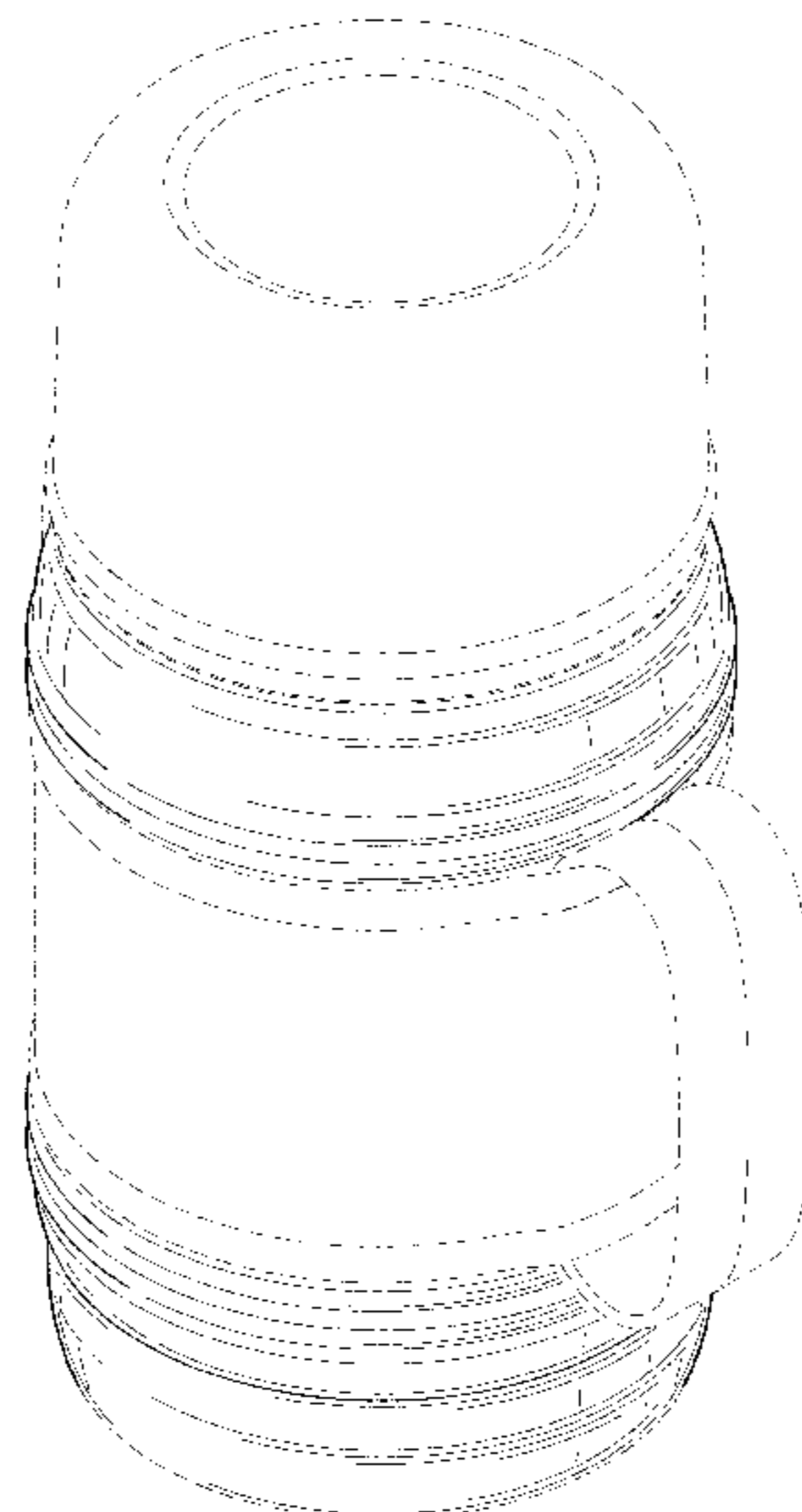
FIG. 6 is a front view thereof.

FIG. 7 is a top plan view thereof; and,

FIG. 8 is a bottom plan view thereof.

The broken lines depict portions of the food container which
form no part of the claimed design.

1 Claim, 7 Drawing Sheets



(56)

References Cited

U.S. PATENT DOCUMENTS

D553,908 S 10/2007 Bonini
 D557,994 S * 12/2007 Wahl D7/608
 D590,212 S 4/2009 Mancha, Jr. et al.
 D630,062 S 1/2011 Carreno
 D639,114 S 6/2011 Swinford et al.
 D649,402 S 11/2011 Gilbert et al.
 D650,235 S 12/2011 Eyal
 D652,257 S * 1/2012 Kraemer D7/523
 D660,084 S * 5/2012 Gilbert D7/538
 D660,655 S * 5/2012 Wahl D7/629
 D669,737 S * 10/2012 Nemeth D7/532
 D701,428 S 3/2014 Lapsker
 D709,736 S 7/2014 Gooding
 D718,980 S 12/2014 Lapsker
 D742,221 S 11/2015 Casiddu
 D742,699 S * 11/2015 Boroski D7/608
 D754,484 S * 4/2016 Lapsker D7/532
 D756,784 S * 5/2016 Fine D9/500
 D769,046 S * 10/2016 Beckman B65D 25/28
 D7/316

D784,763 S 4/2017 Oshana
 9,845,989 B1 12/2017 Veiga
 D809,347 S * 2/2018 Silsby D7/608
 D827,377 S * 9/2018 Silsby D7/510
 D829,057 S 9/2018 Agado
 10,959,553 B2 * 3/2021 Nichols A47J 41/0027
 D917,968 S 5/2021 Silsby
 2007/0241117 A1 10/2007 Szymanski

OTHER PUBLICATIONS

U.S. Appl. No. 29/726,740, filed Mar. 5, 2020.
 U.S. Appl. No. 29/720,574, filed Jan. 14, 2020.
 U.S. Appl. No. 29/726,746, filed Mar. 5, 2020.
 U.S. Appl. No. 29/726,753, filed Mar. 5, 2020.
 U.S. Appl. No. 29/720,579, filed Jan. 14, 2020.
 U.S. Appl. No. 29/726,761, filed Mar. 5, 2020.
 Information Disclosure Statement Transmittal Letter filed herewith,
 dated Jul. 6, 2020, 2 pages.

* cited by examiner

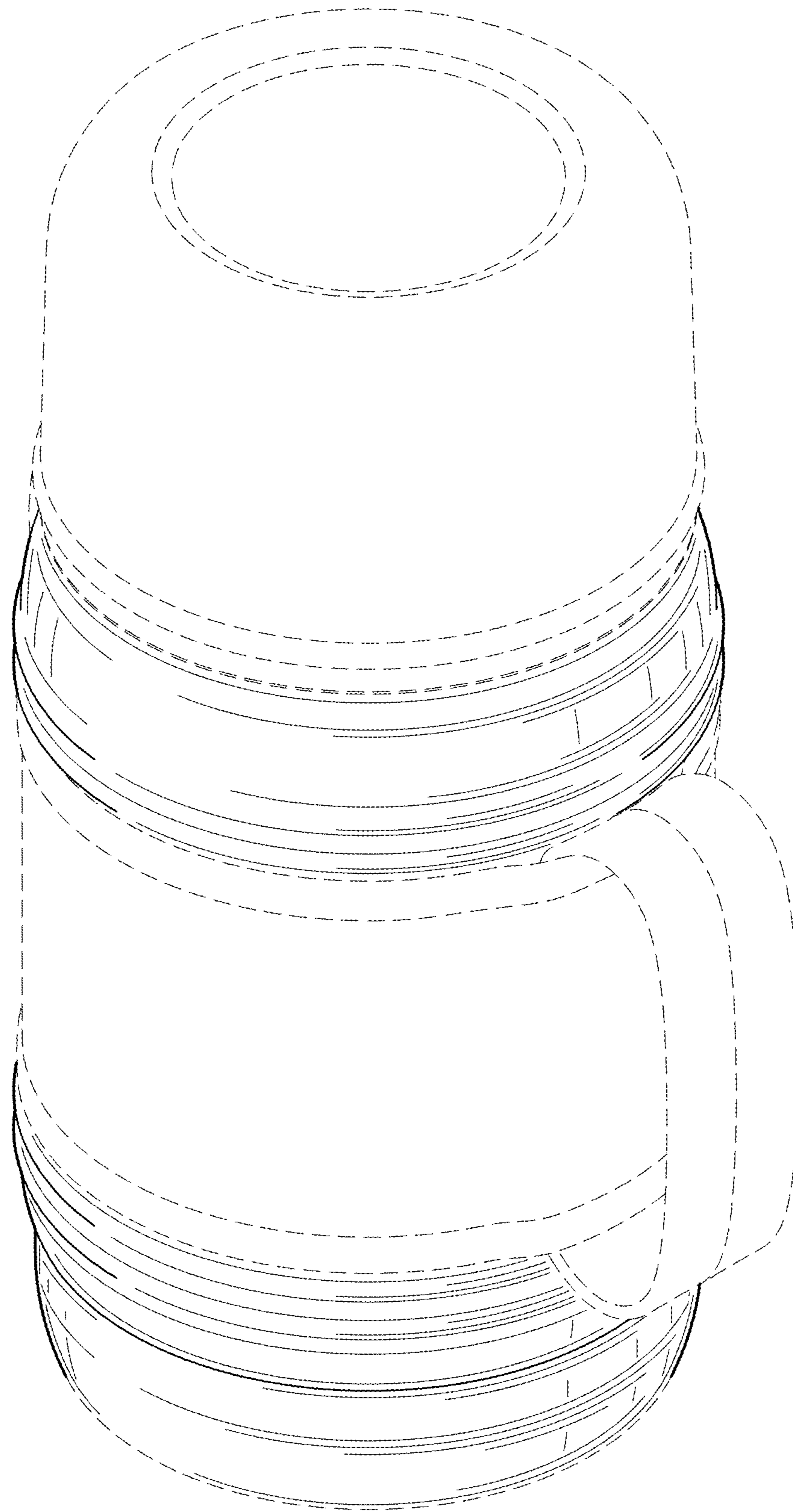


FIG. 1

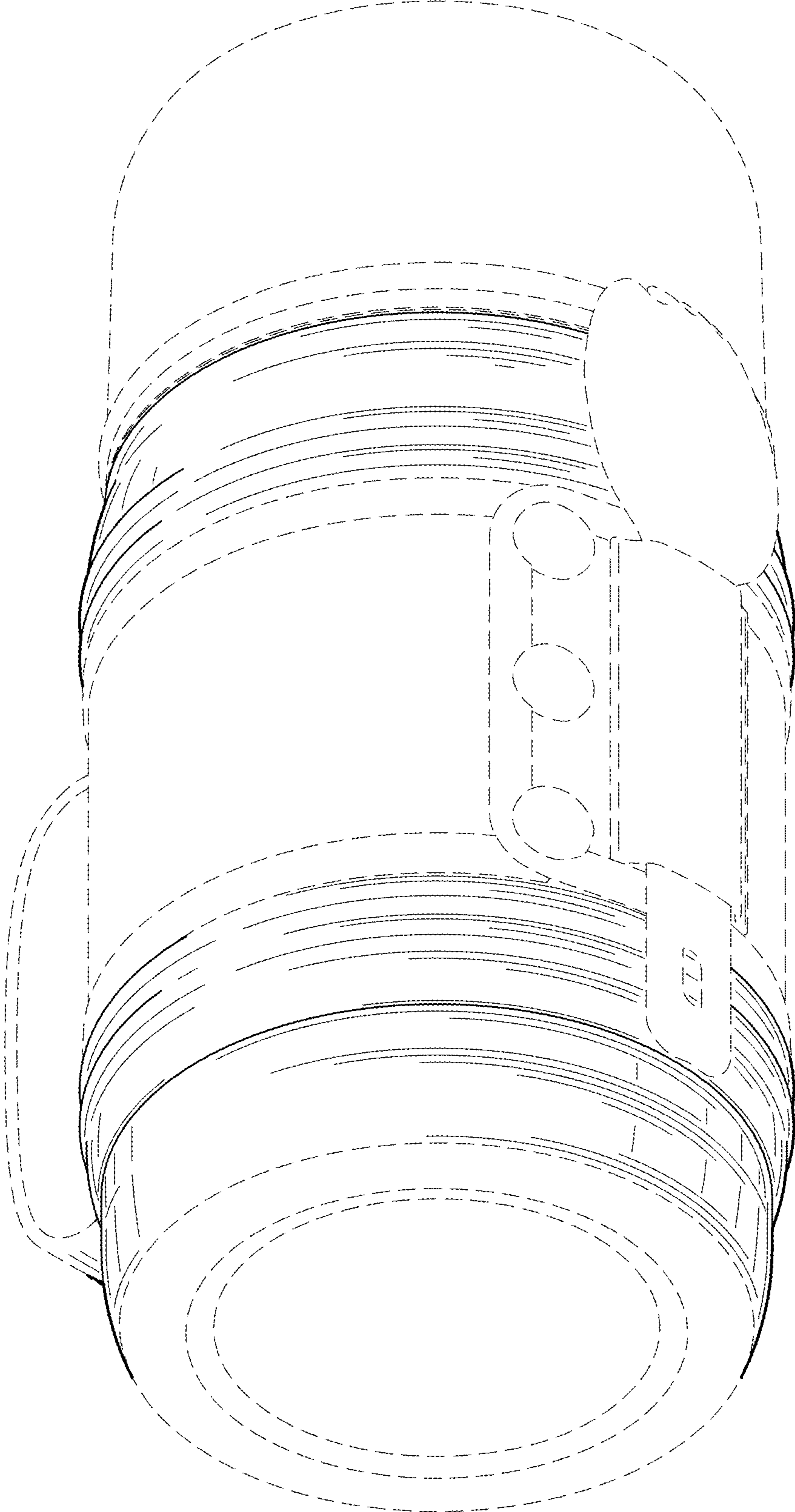


FIG. 2

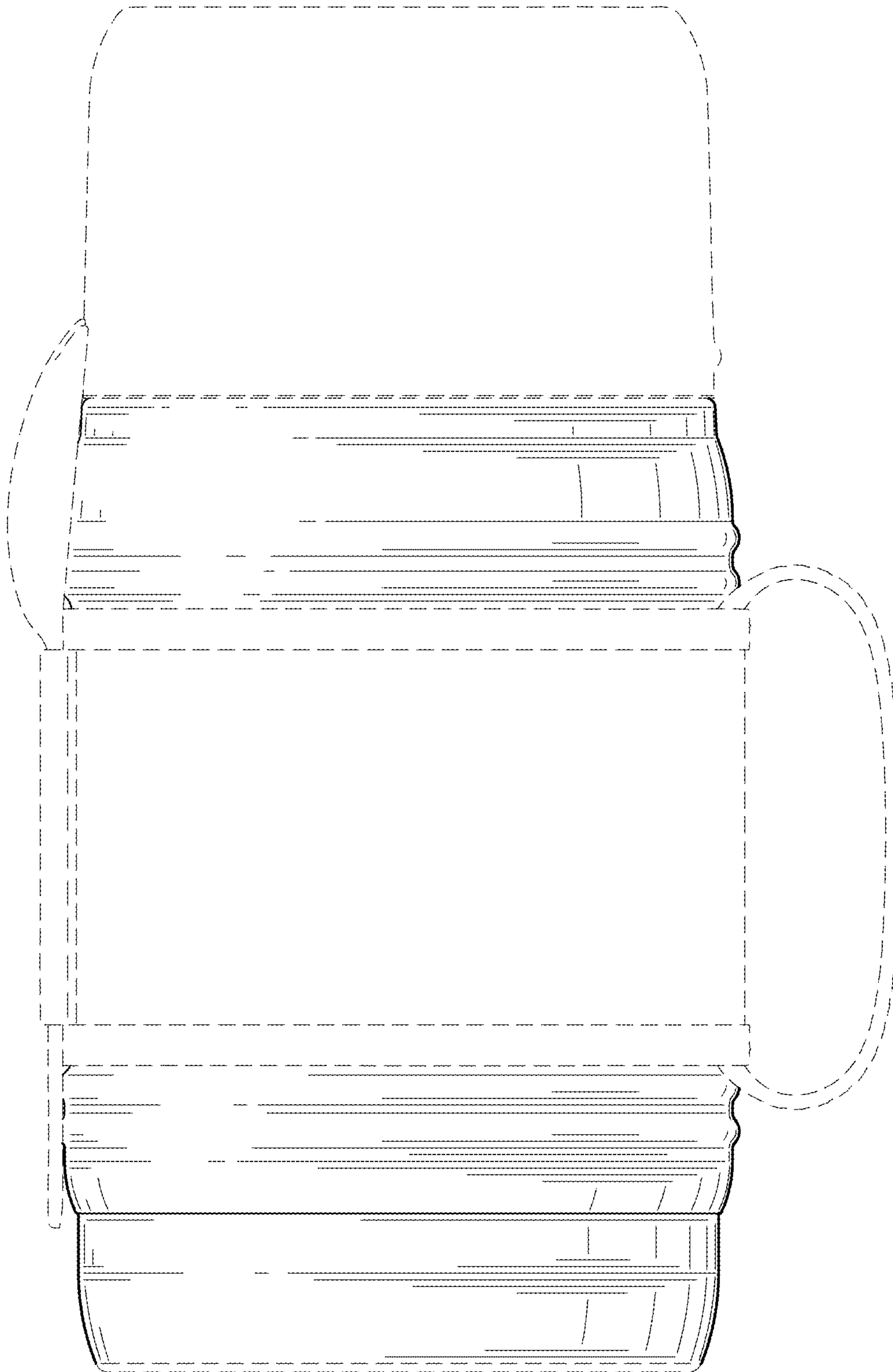


FIG. 3

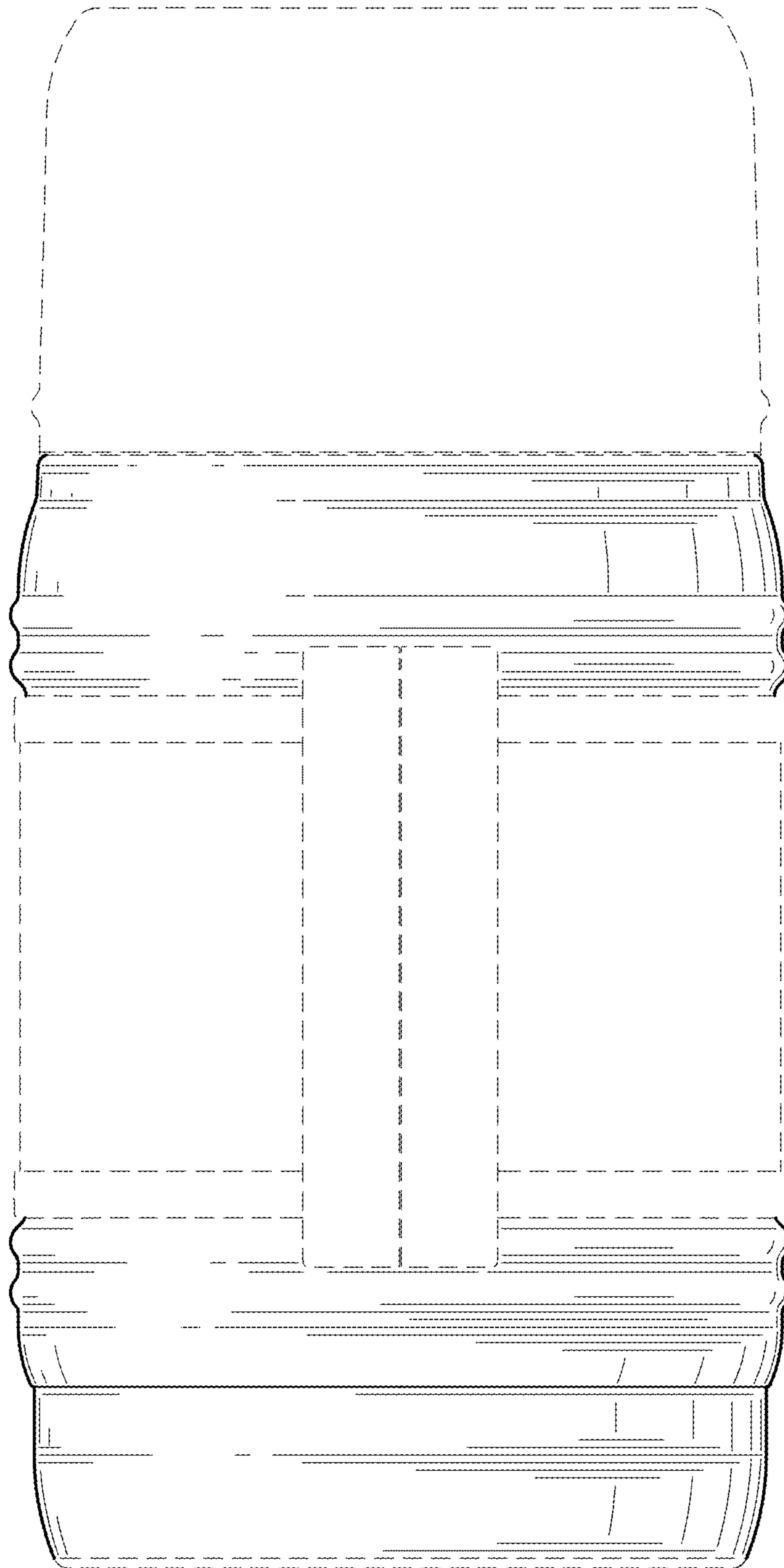


FIG. 4

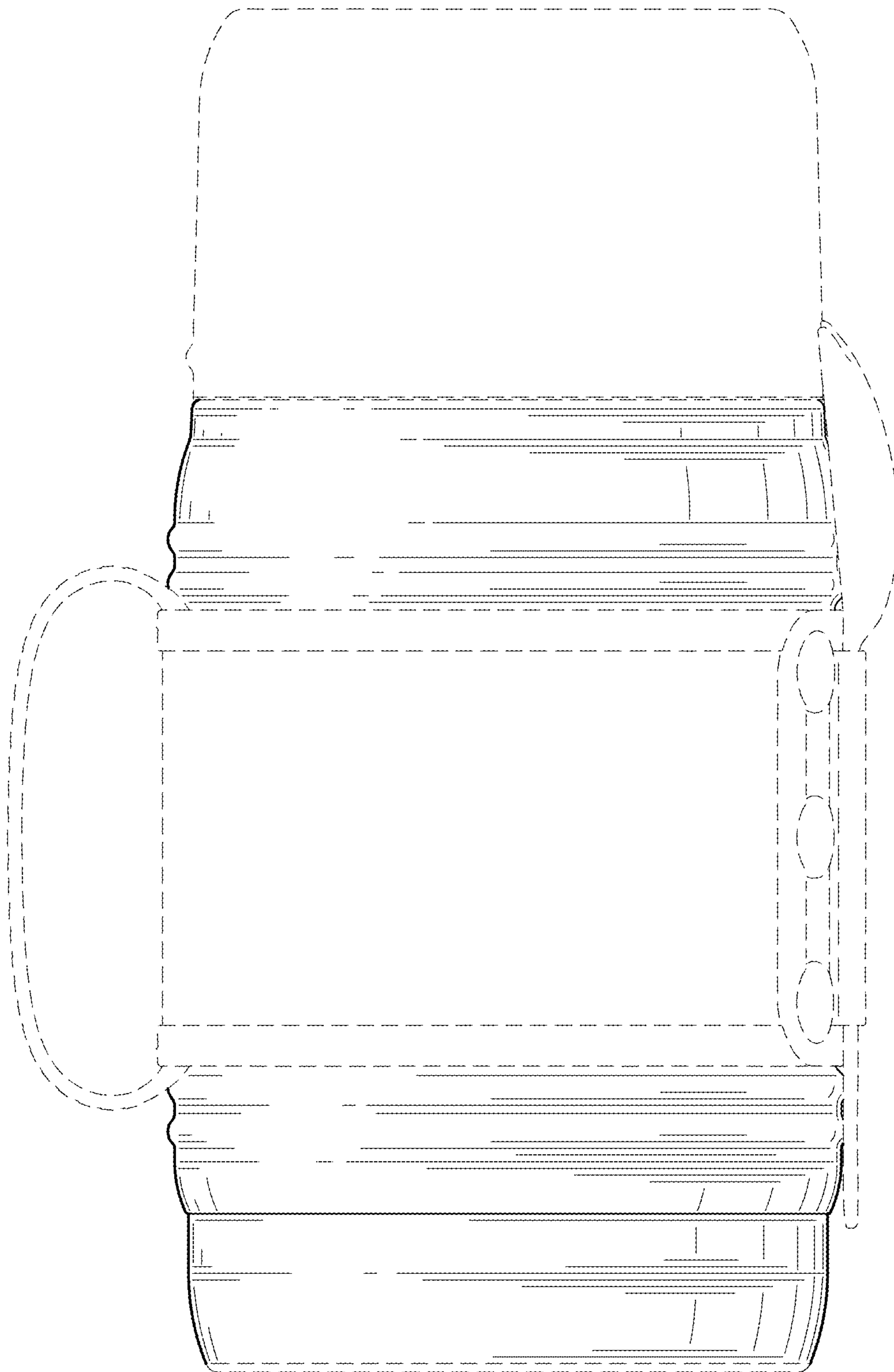


FIG. 5

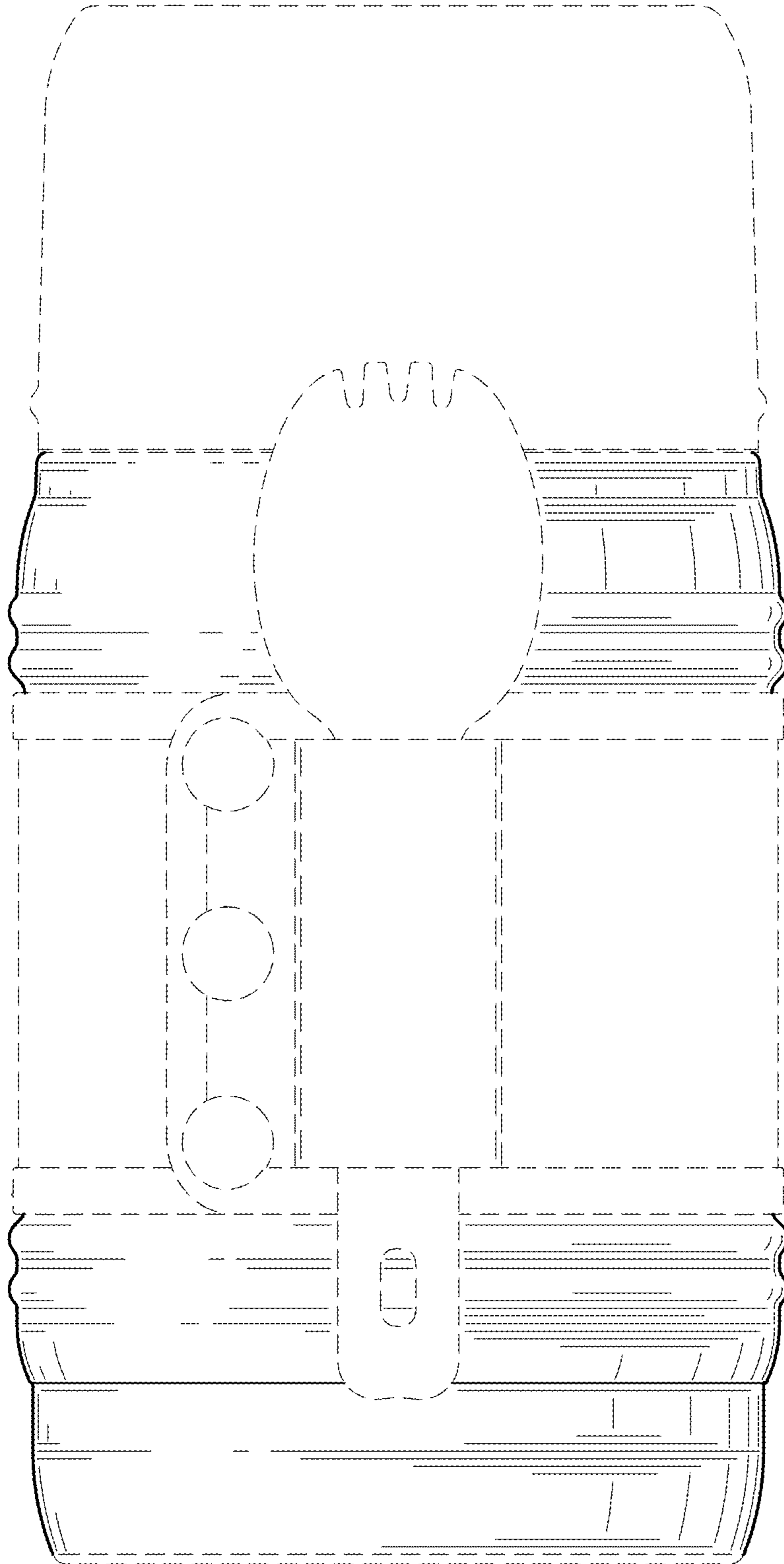


FIG. 6

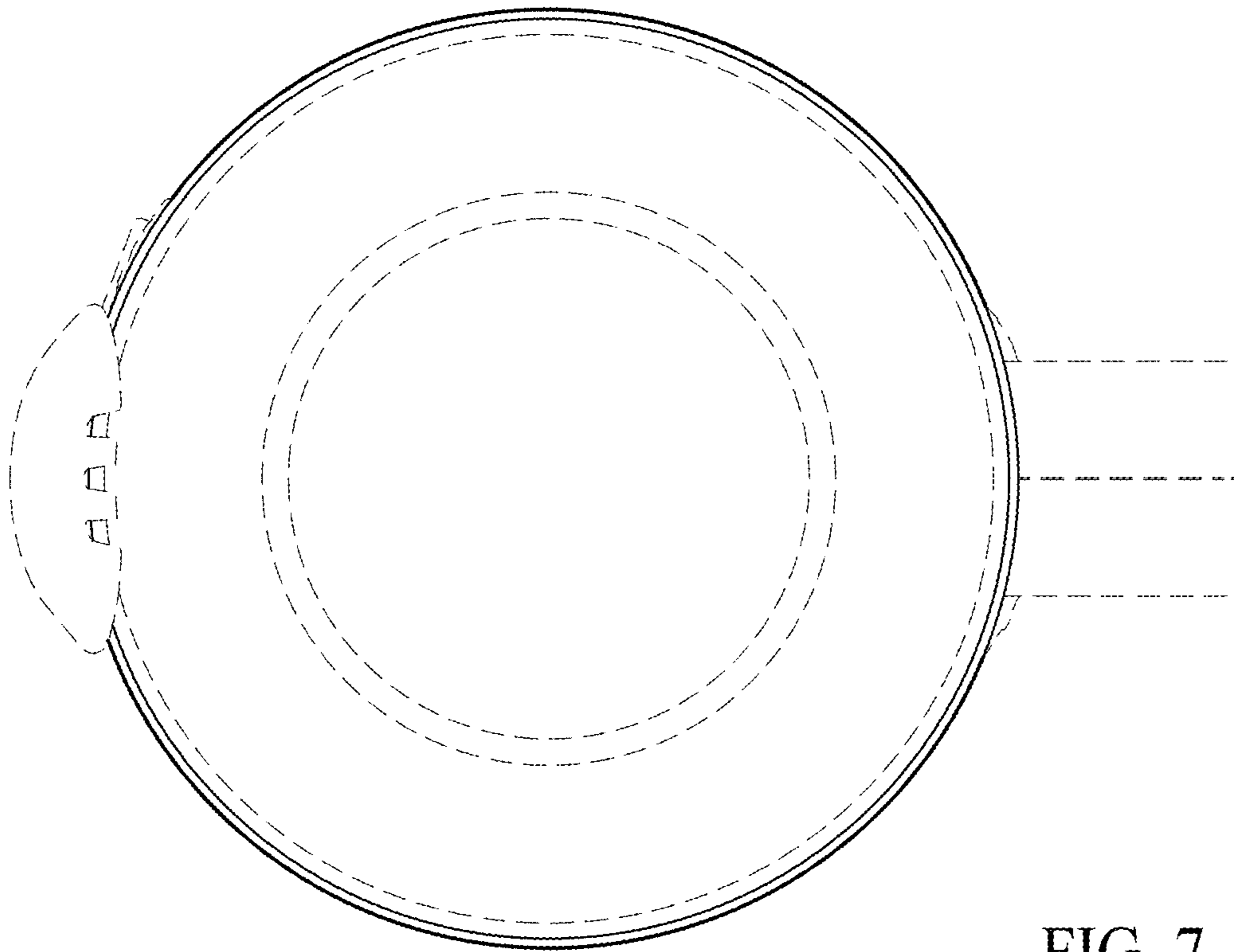


FIG. 7

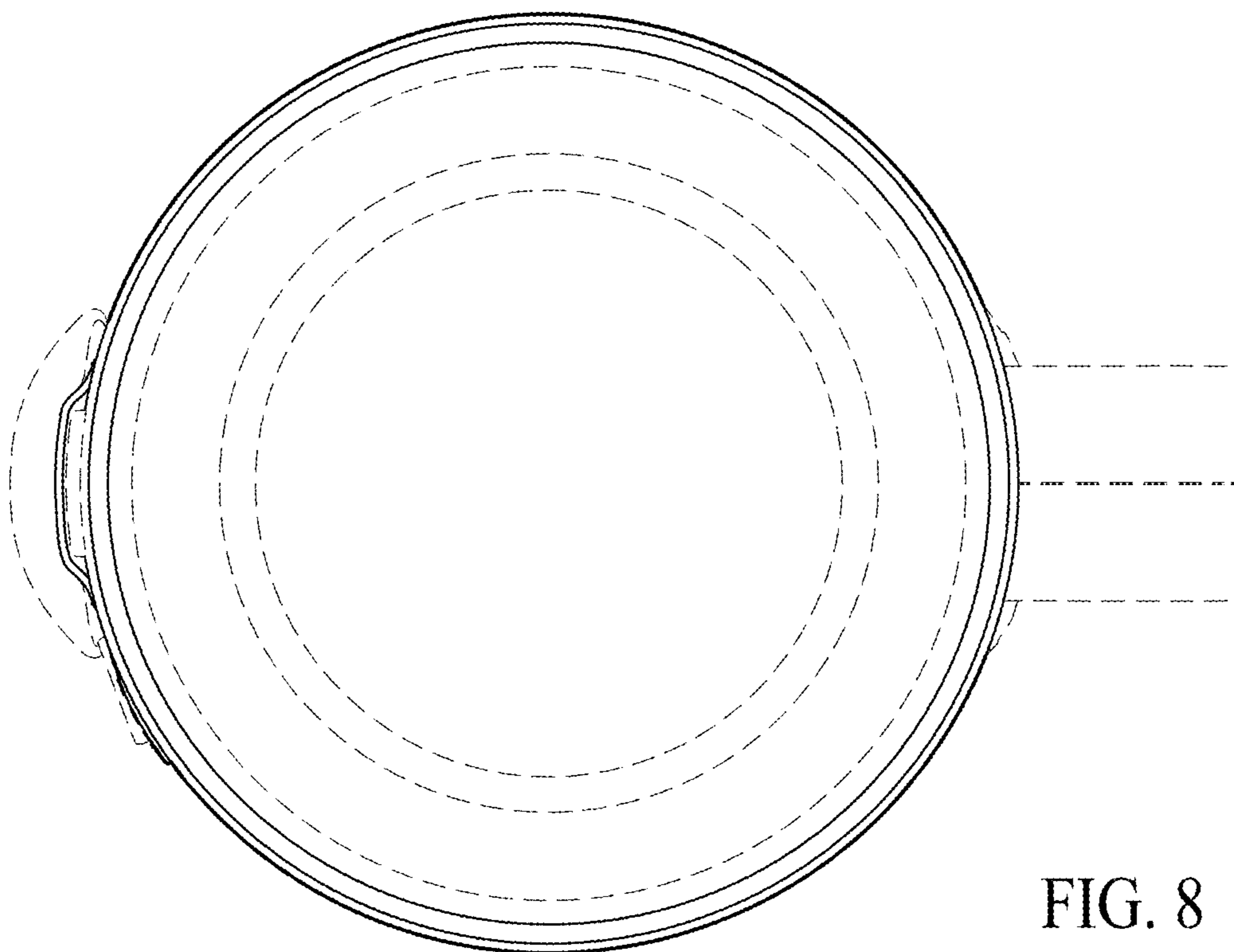


FIG. 8