

US00D946977S

(12) **United States Design Patent**
Wahl et al.

(10) **Patent No.:** **US D946,977 S**
(45) **Date of Patent:** **** Mar. 29, 2022**

(54) **BEVERAGE CONTAINER**
(71) Applicant: **Pacific Market International, LLC**,
Seattle, WA (US)
(72) Inventors: **Andrew C. F. Wahl**, Seattle, WA (US);
Matthew Kenneth Dolph, Seattle, WA
(US)

4,344,303 A * 8/1982 Kelly, Jr. B65D 81/3883
62/530
4,462,444 A * 7/1984 Larson B65D 81/3886
215/12.1
4,615,463 A * 10/1986 Price F25D 5/02
220/592.17

(Continued)

(73) Assignee: **Pacific Market International, LLC**,
Seattle, WA (US)

U.S. Appl. No. 29/726,740, filed Mar. 5, 2020.
(Continued)

(**) Term: **15 Years**

Primary Examiner — Terry A Wallace

(21) Appl. No.: **29/719,765**

(74) *Attorney, Agent, or Firm* — George C. Rondeau, Jr.;
Davis Wright Tremaine, LLP

(22) Filed: **Jan. 7, 2020**

(51) **LOC (13) Cl.** **07-01**

(57) **CLAIM**

(52) **U.S. Cl.**
USPC **D7/624.2; D7/608**

The ornamental design for a beverage container, as shown
and described.

(58) **Field of Classification Search**
USPC D7/605–608, 509–511, 619.1–625;
D9/500, 502–505, 516, 549, 557, 558
CPC B65D 81/3837; B65D 81/3839; B65D
81/3841; B65D 81/3844; B65D 81/3846;
B65D 81/3869; B65D 81/3881; B65D
81/3876; B65D 81/3865; B65D 81/38;
B65D 23/104; B65D 1/00; B65D 1/02;
B65D 2501/00; B65D 2501/0009; A47J
41/0005; A47J 41/0083; A47J 41/02;
A47J 41/024; A47J 41/026; A47J 41/028;
A47J 41/0077; A47J 41/00; A47J
41/0088; F25D 2331/803; F25D 3/08;
A45C 11/20

DESCRIPTION

FIG. 1 is a top perspective view of a beverage container
showing our new design.
FIG. 2 is a bottom perspective view thereof.
FIG. 3 is a left side view thereof.
FIG. 4 is a rear view thereof.
FIG. 5 is a right side view thereof.
FIG. 6 is a front view thereof.
FIG. 7 is a top plan view thereof.
FIG. 8 is a bottom plan view thereof.
FIG. 9 is a top perspective view of an alternate embodiment
of FIG. 1.
FIG. 10 is a bottom perspective view of FIG. 9.
FIG. 11 is a left side view of FIG. 9.
FIG. 12 is a rear view of FIG. 9.
FIG. 13 is a right side view of FIG. 9.
FIG. 14 is a front view of FIG. 9.
FIG. 15 is a top plan view of FIG. 9; and,
FIG. 16 is a bottom plan view of FIG. 9.

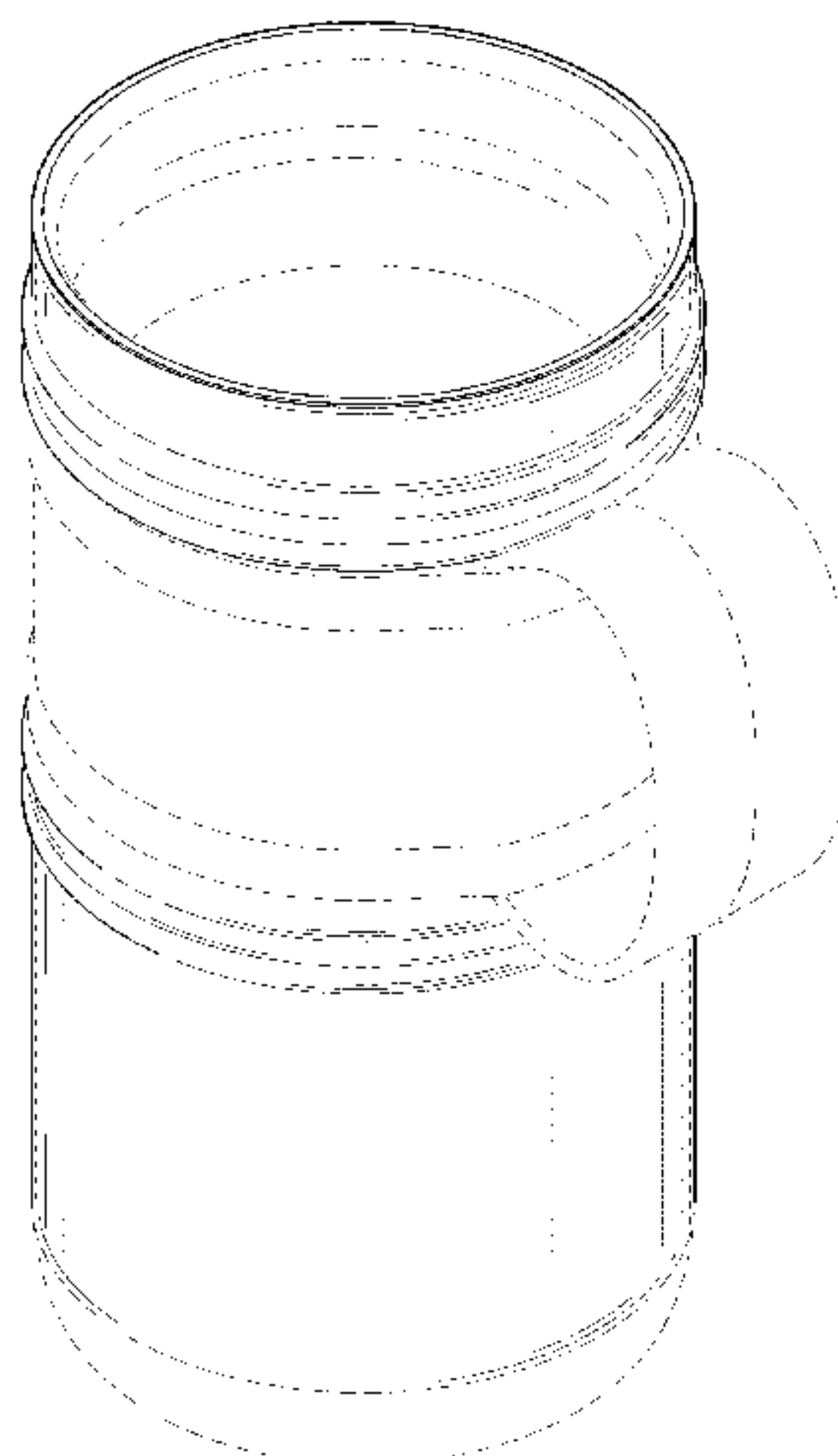
See application file for complete search history.

(Continued)

(56) **References Cited**

U.S. PATENT DOCUMENTS

D120,134 S 4/1940 Morrison
2,963,187 A 12/1960 Bramming
D234,110 S 1/1975 Achenbach



The broken lines depict portions of the beverage container which form no part of the claimed design.

1 Claim, 14 Drawing Sheets

(56)

References Cited

U.S. PATENT DOCUMENTS

D310,942 S *	10/1990	Woodall	224/148.3
4,966,303 A *	10/1990	Jones	A47G 23/0266 215/13.1
D411,802 S	7/1999	Hestehave et al.	
D437,528 S	2/2001	Kitamura et al.	
6,332,557 B1	12/2001	Moran	
D454,034 S *	3/2002	McLaughlin	D7/607
D495,875 S *	9/2004	Spence, Jr.	D3/229
D518,380 S	4/2006	Moran	
D551,022 S	9/2007	Meehan	
D553,908 S	10/2007	Bonini	
D557,994 S	12/2007	Wahl	
D590,212 S *	4/2009	Mancha, Jr.	D7/607
D630,062 S	1/2011	Carreno	
D639,114 S	6/2011	Swinford et al.	
D649,402 S	11/2011	Gilbert et al.	
D650,235 S	12/2011	Eyal	
D652,257 S	1/2012	Kraemer	
D660,084 S	5/2012	Gilbert	
D660,655 S	5/2012	Wahl et al.	

D669,737 S	10/2012	Nemeth et al.	
D701,428 S	3/2014	Lapsker	
D709,736 S *	7/2014	Gooding	D7/622
D718,980 S	12/2014	Lapsker	
D742,221 S	11/2015	Casiddu	
D742,699 S *	11/2015	Boroski	D7/608
D754,484 S	4/2016	Lapsker	
D756,784 S *	5/2016	Fine	D9/500
D769,046 S	10/2016	Beckman et al.	
D784,763 S	4/2017	Oshana	
9,845,989 B1 *	12/2017	Veiga	F25D 3/08
D809,347 S *	2/2018	Silsby	D7/608
D827,377 S	9/2018	Silsby et al.	
D829,057 S *	9/2018	Agado	D7/624.2
10,959,553 B2	3/2021	Nichols et al.	
D917,968 S	5/2021	Silsby	
2007/0241117 A1 *	10/2007	Szymanski	B65D 81/3879 220/737

OTHER PUBLICATIONS

U.S. Appl. No. 29/720,574, filed Jan. 14, 2020.
 U.S. Appl. No. 29/726,746, filed Mar. 5, 2020.
 U.S. Appl. No. 29/719,766, filed Jan. 7, 2020.
 U.S. Appl. No. 29/726,753, filed Mar. 5, 2020.
 U.S. Appl. No. 29/720,579, filed Jan. 14, 2020.
 U.S. Appl. No. 29/726,761, filed Mar. 5, 2020.
 Information Disclosure Statement Transmittal Letter filed herewith,
 dated Jul. 6, 2020, 2 pages.

* cited by examiner

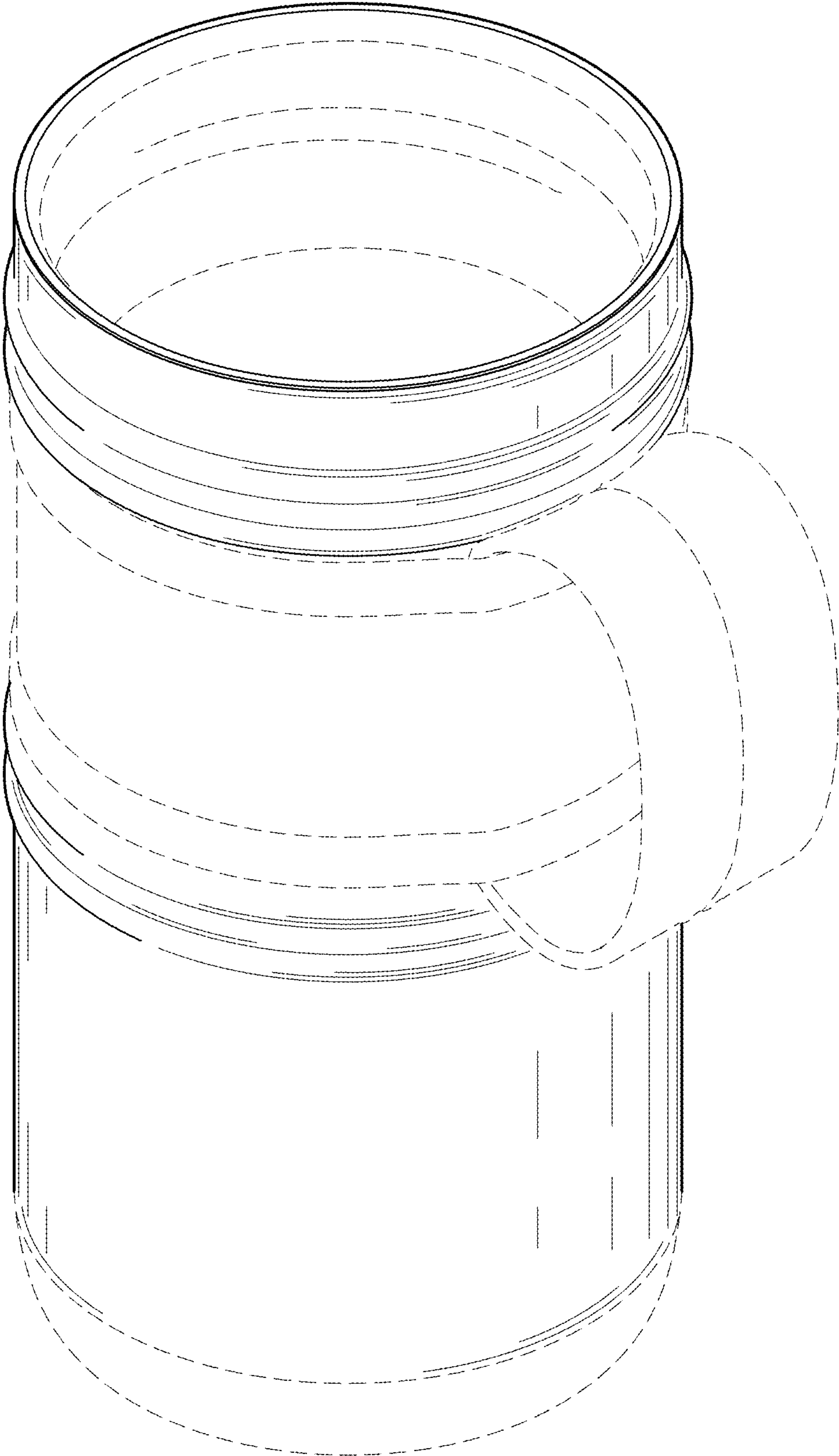


FIG. 1

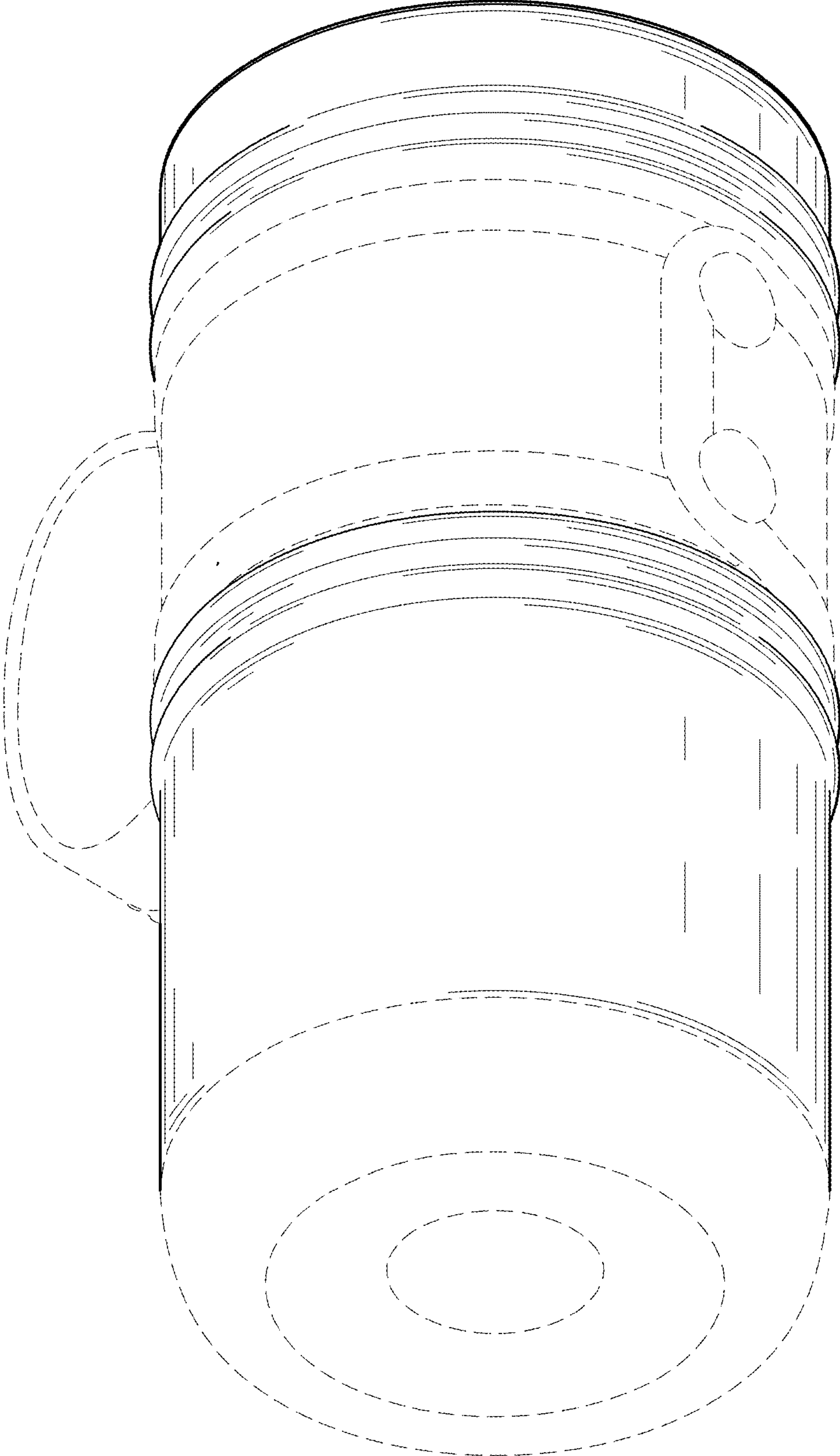


FIG. 2

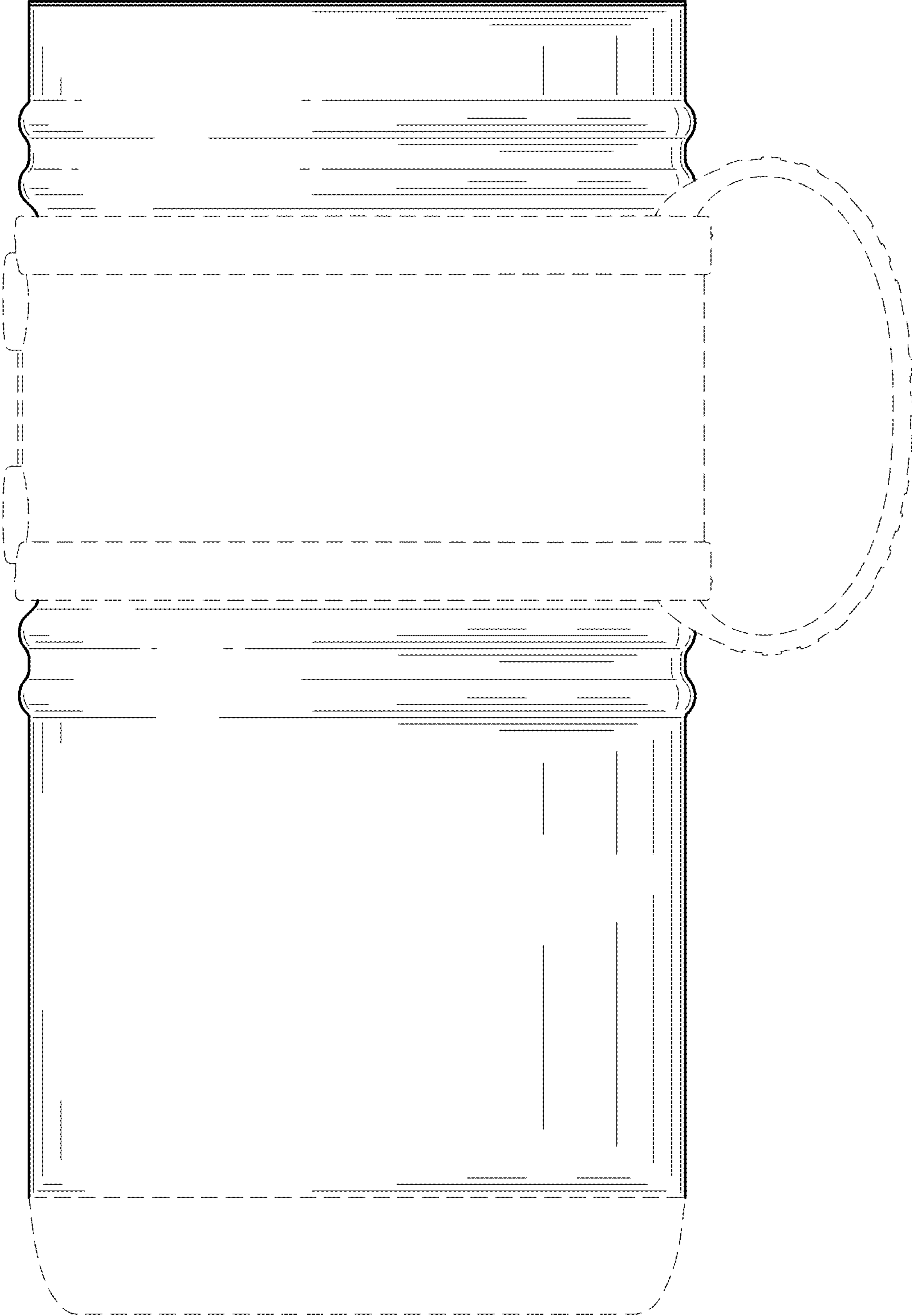


FIG. 3

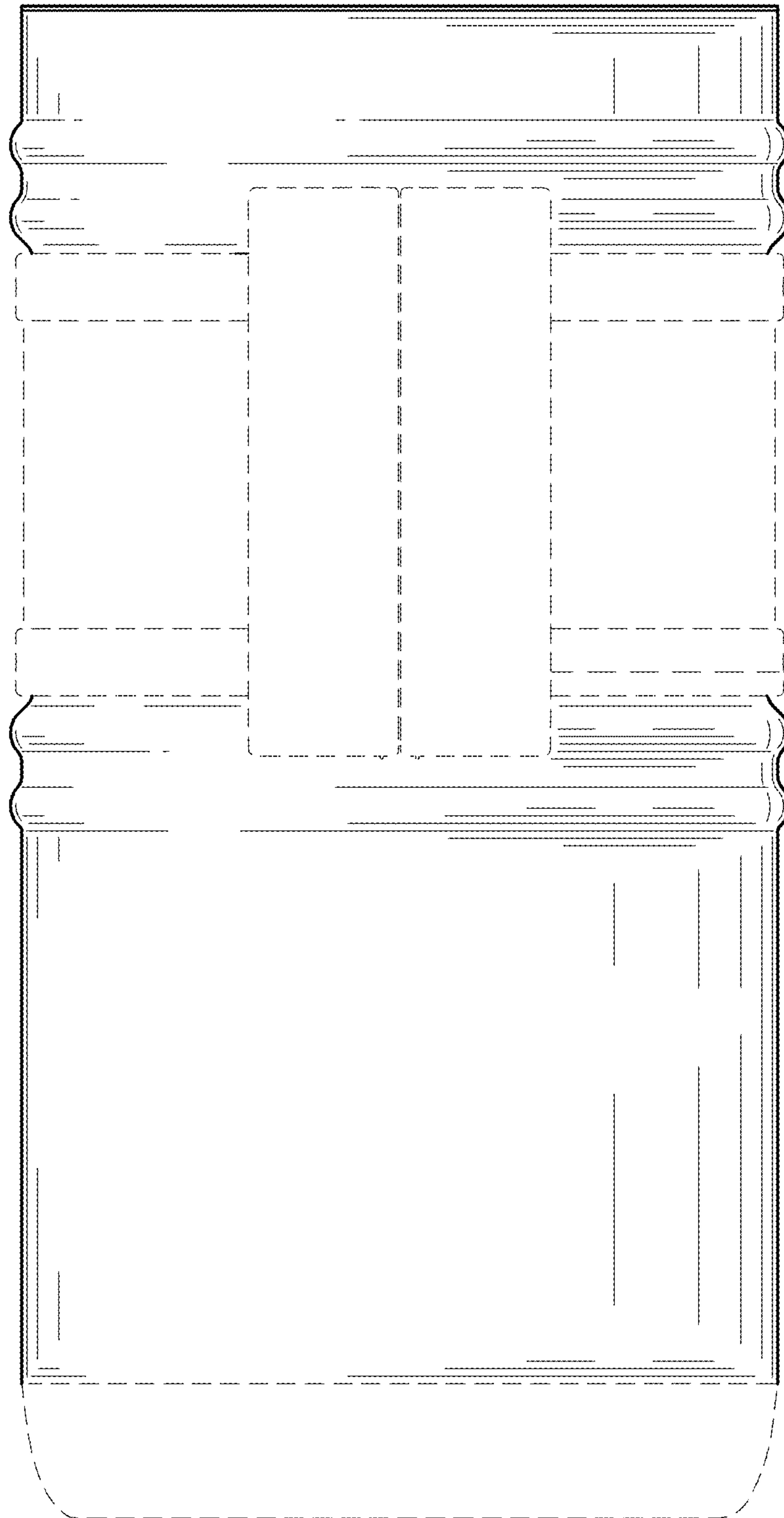


FIG. 4

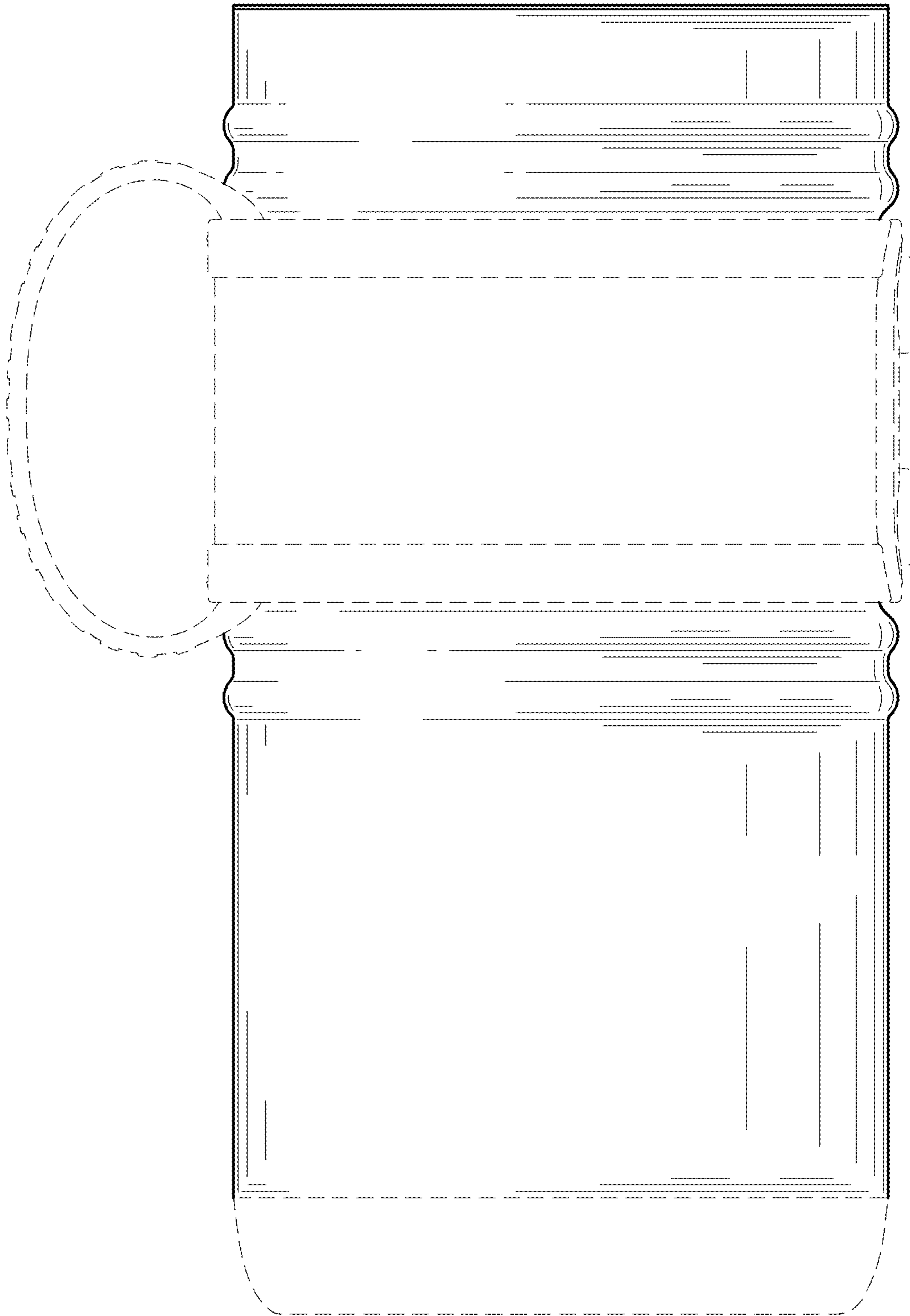


FIG. 5

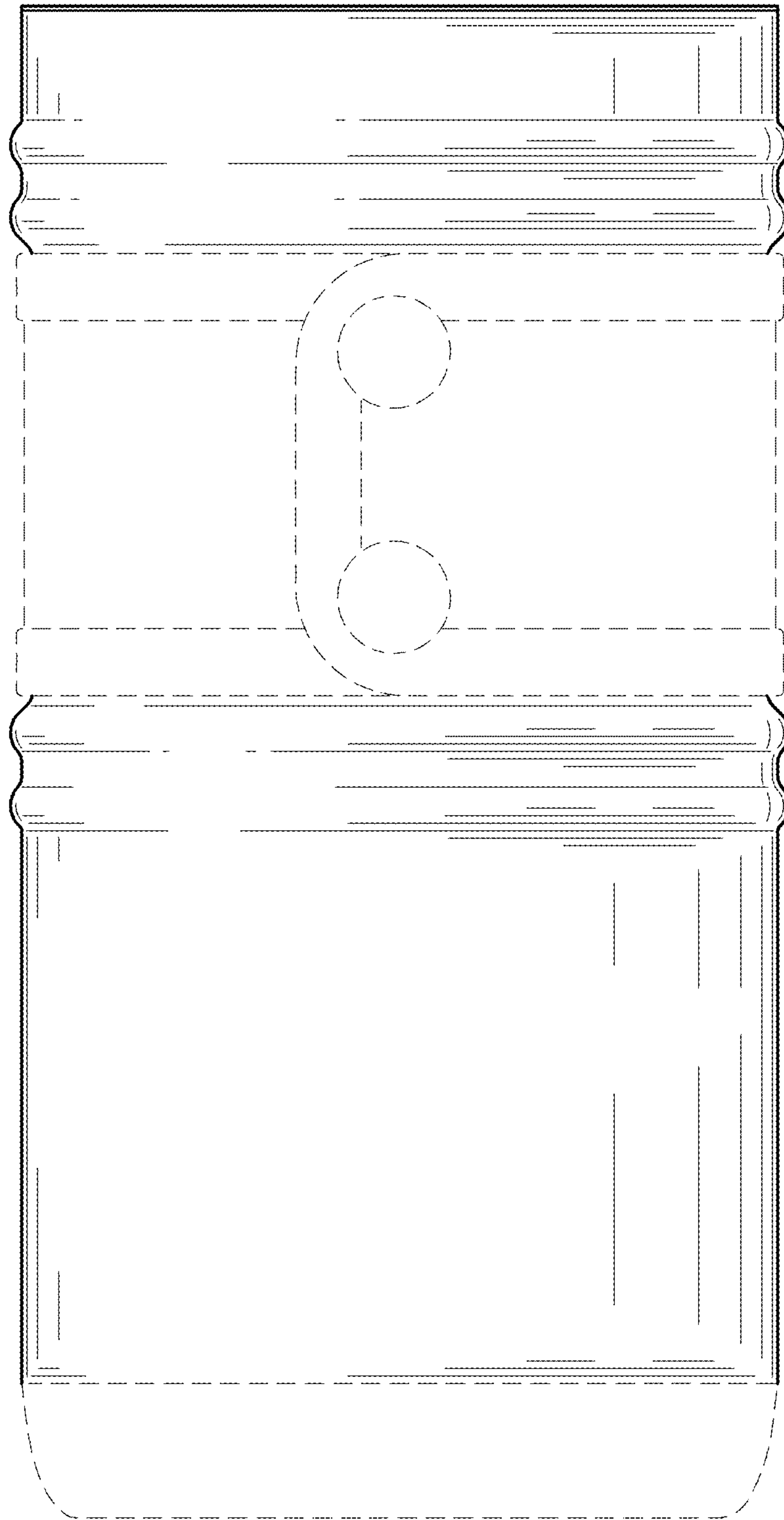


FIG. 6

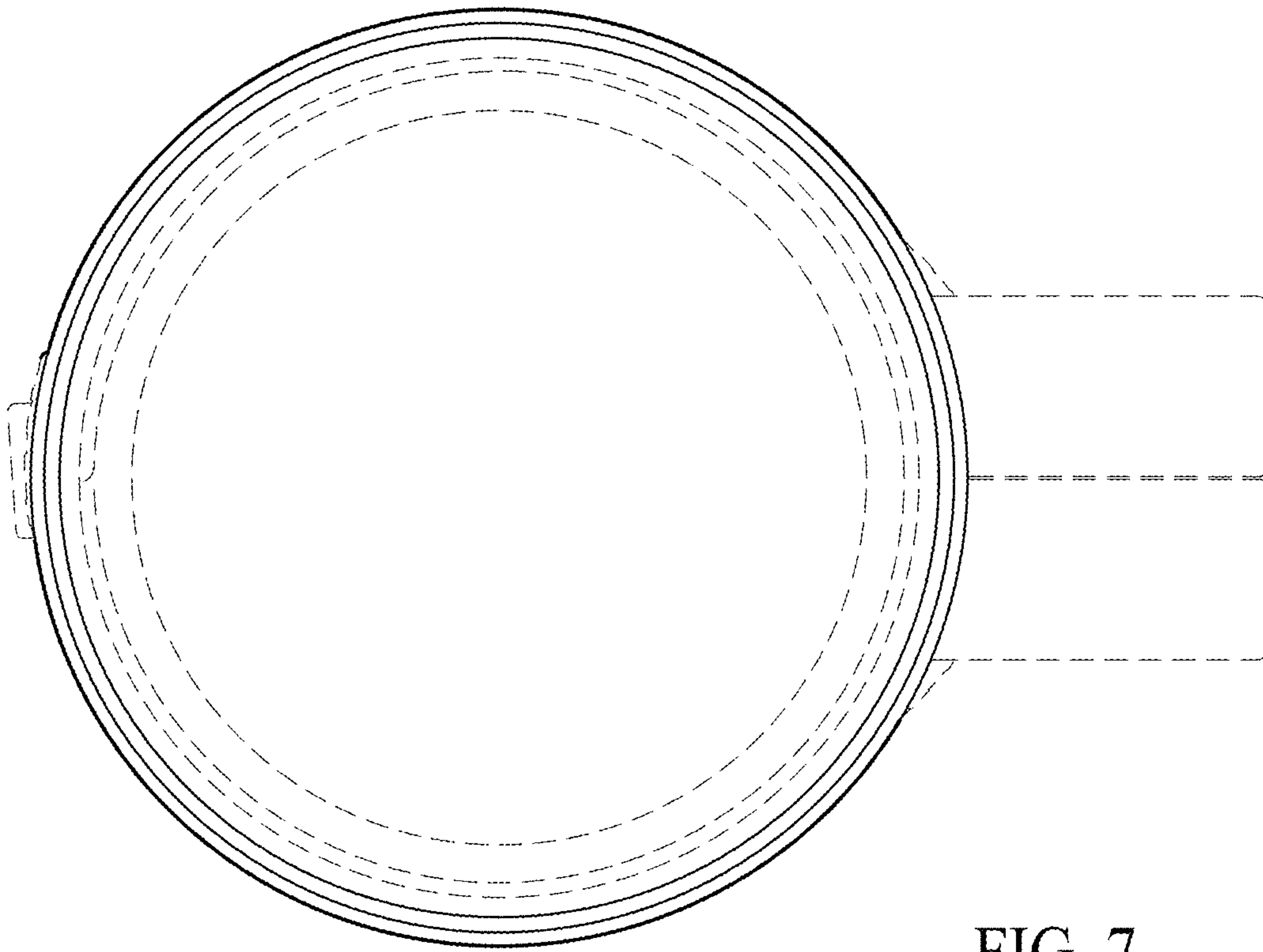


FIG. 7

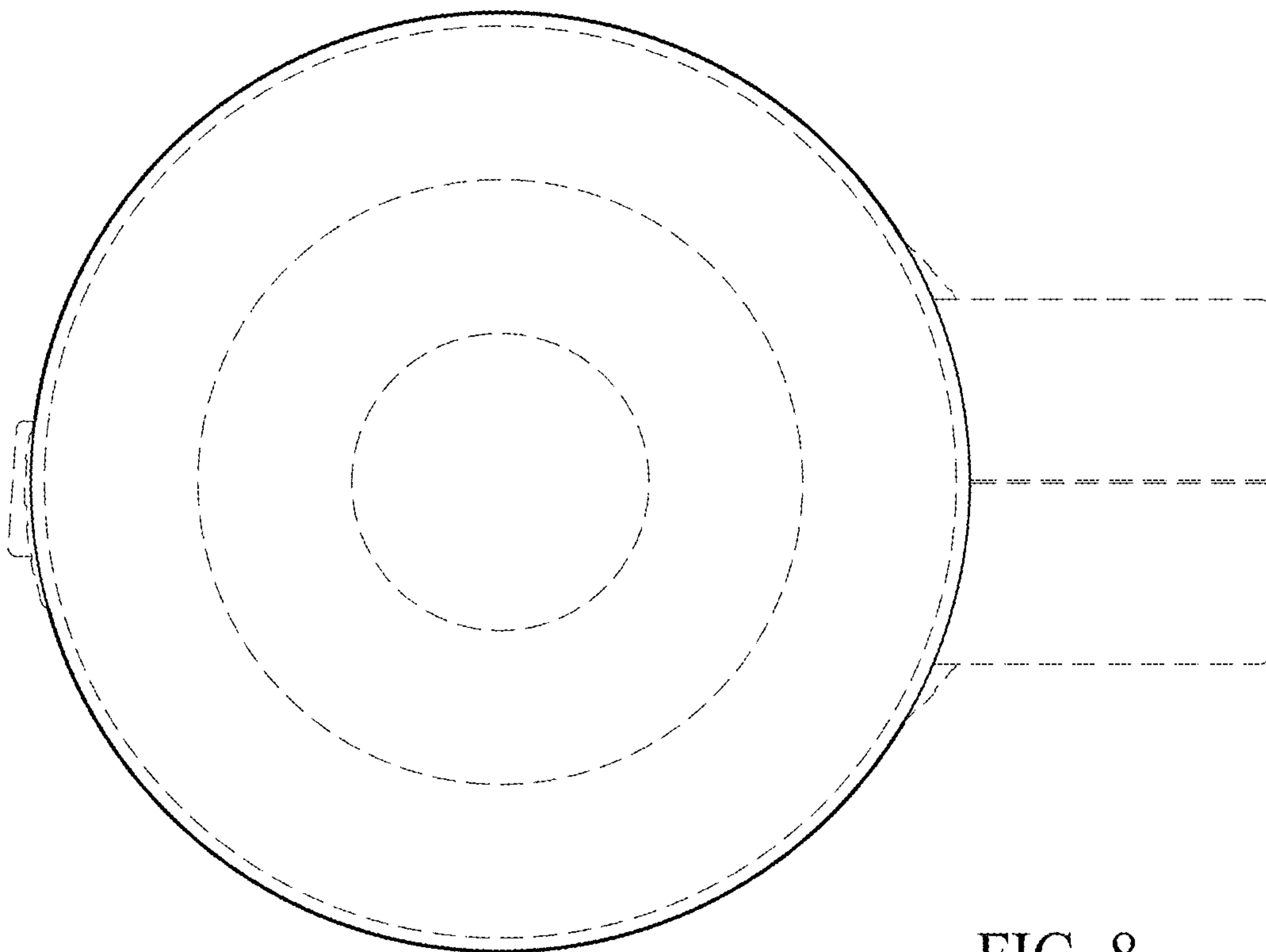


FIG. 8

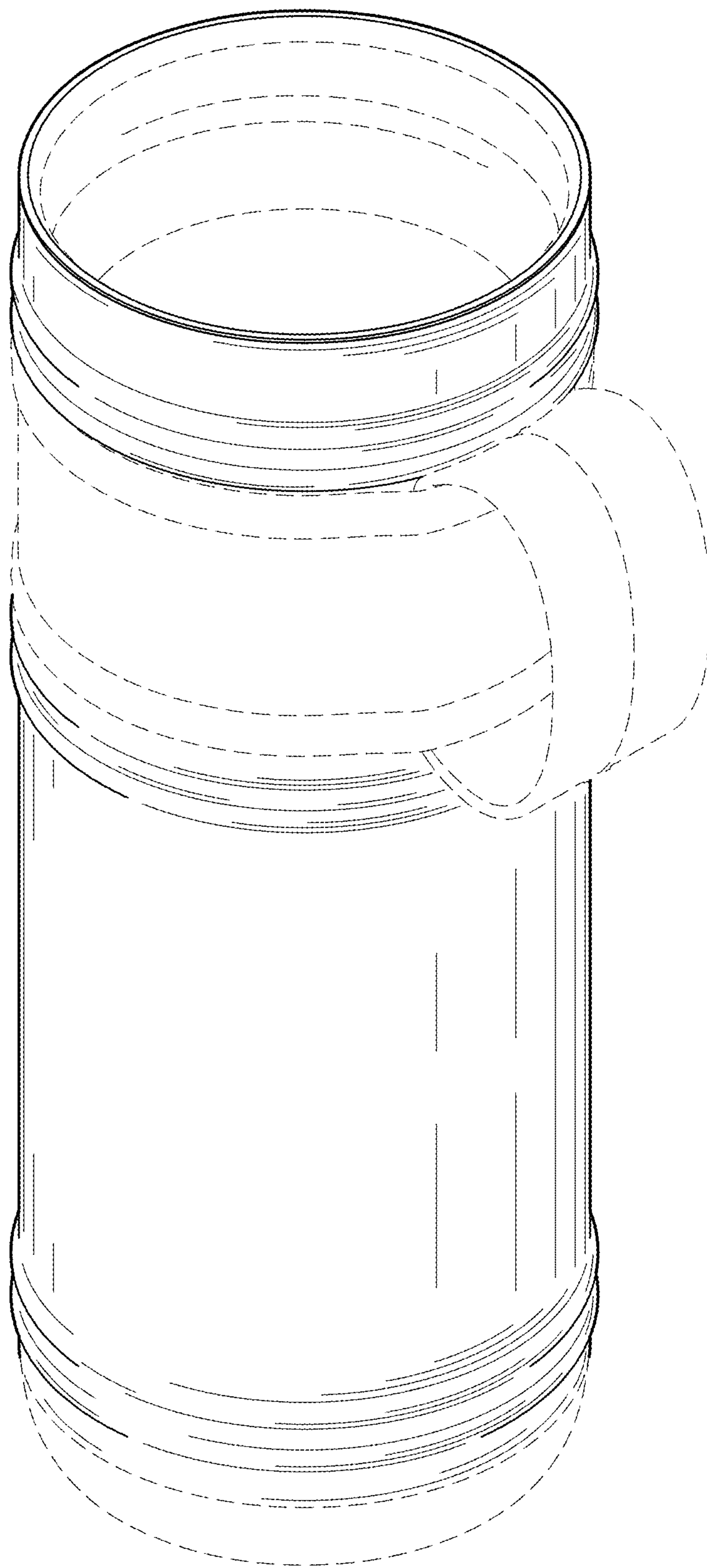


FIG. 9

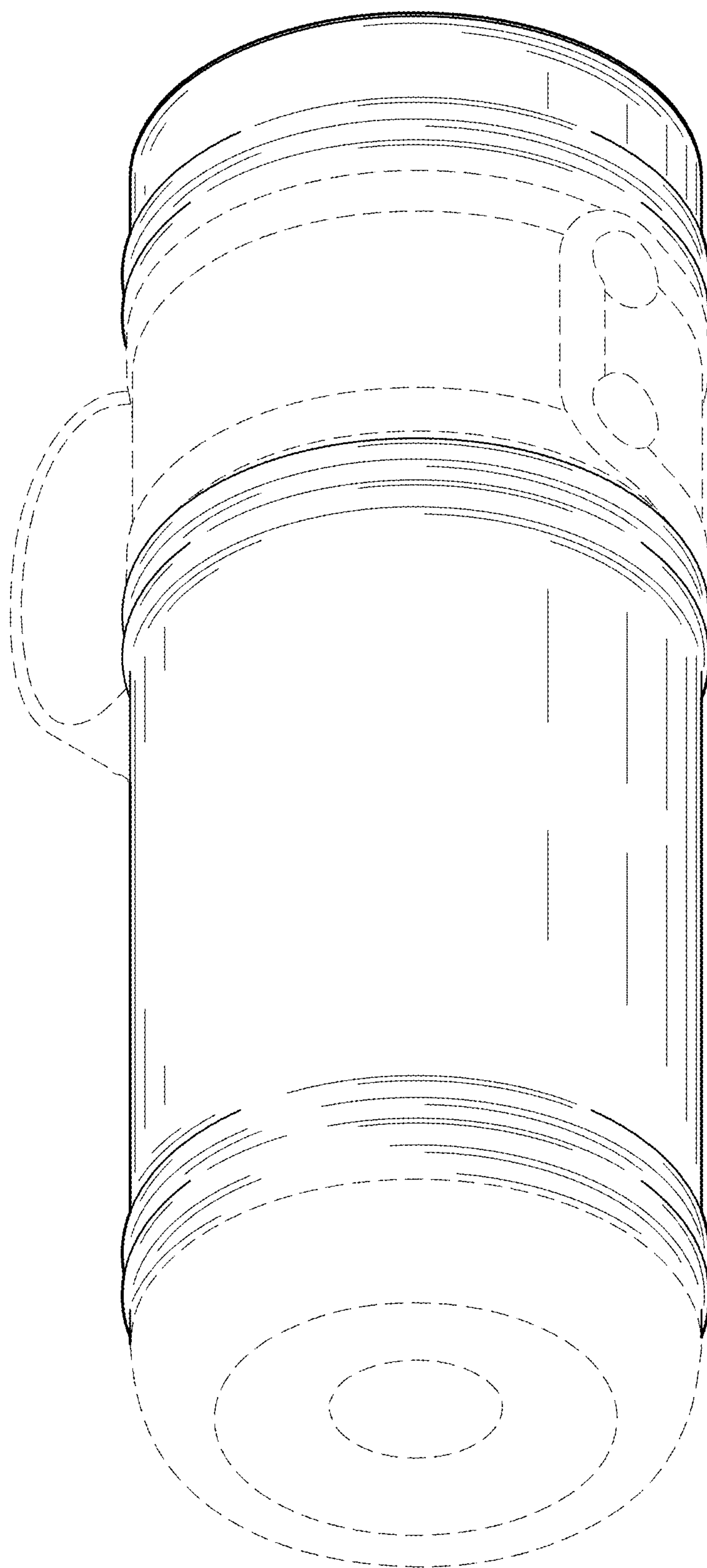


FIG. 10

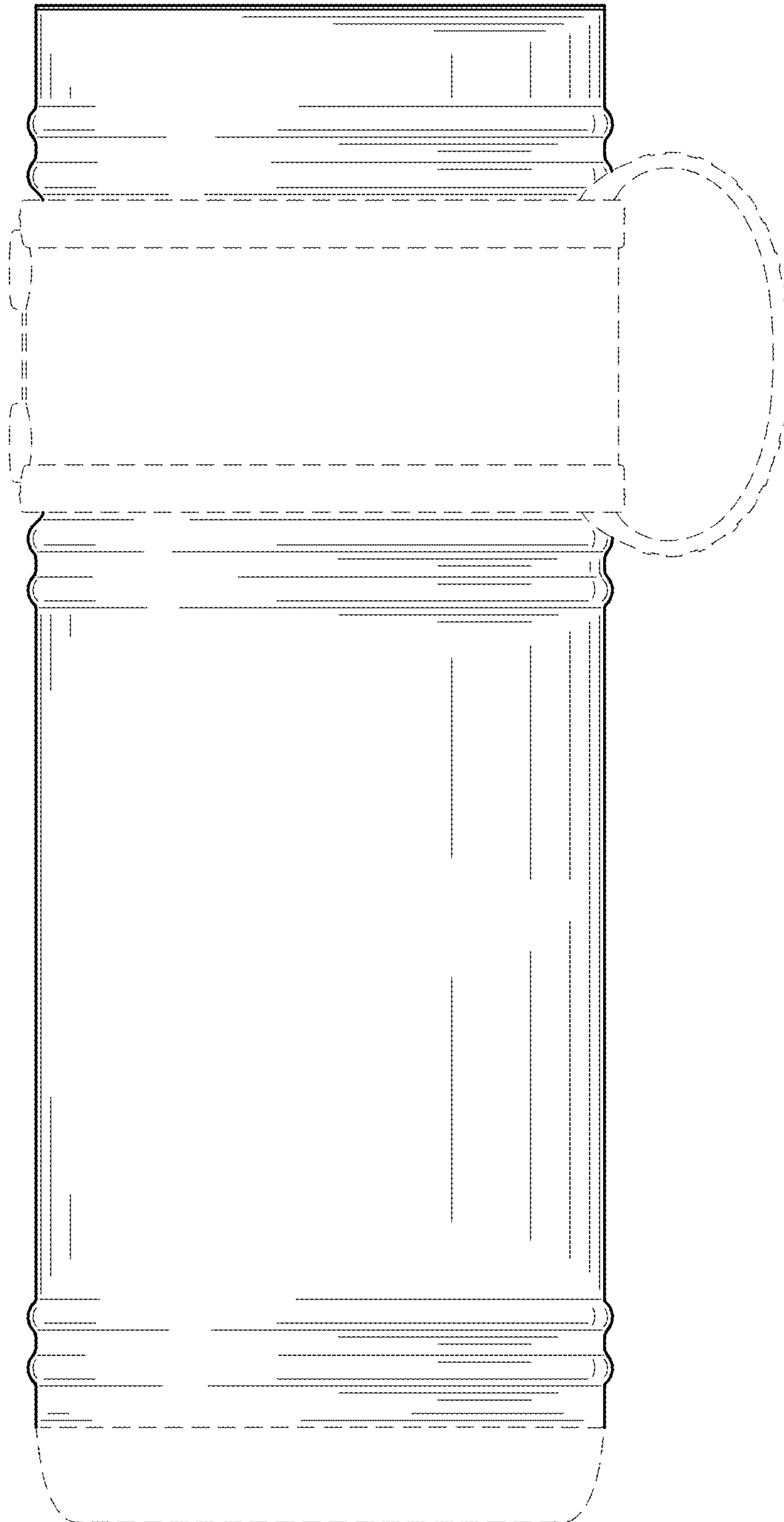


FIG. 11

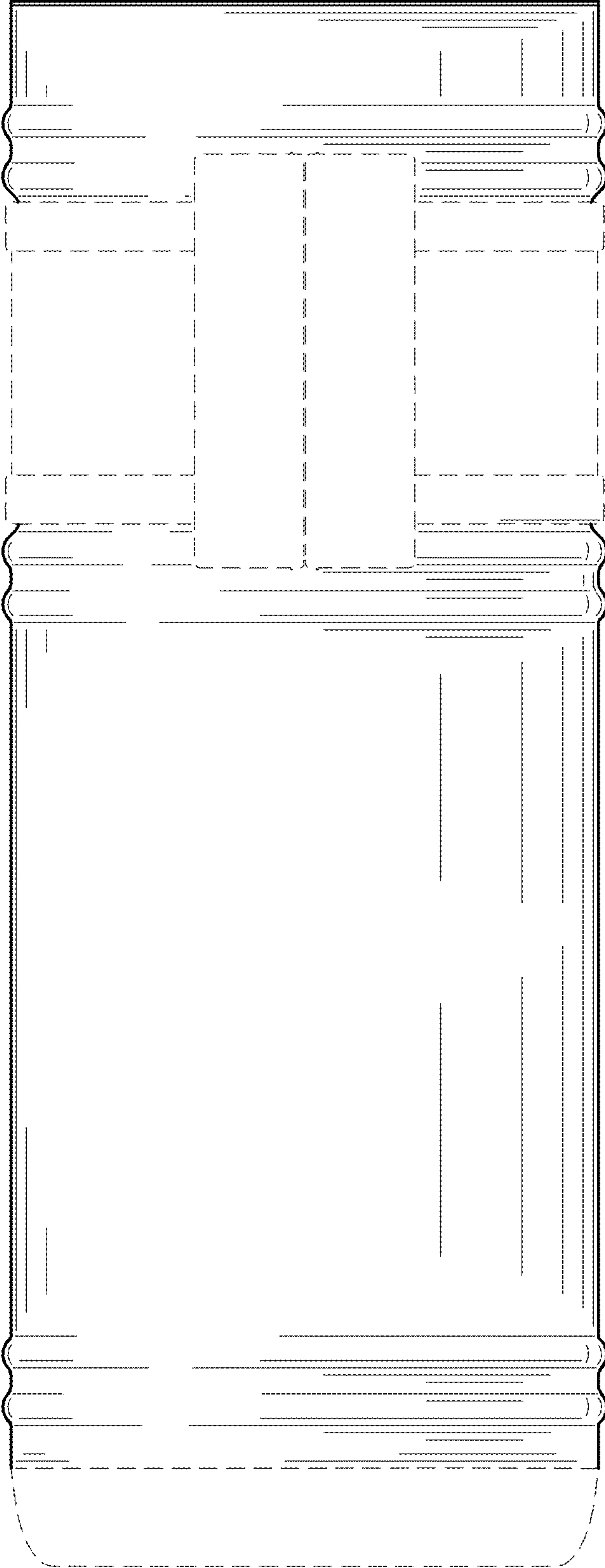


FIG. 12

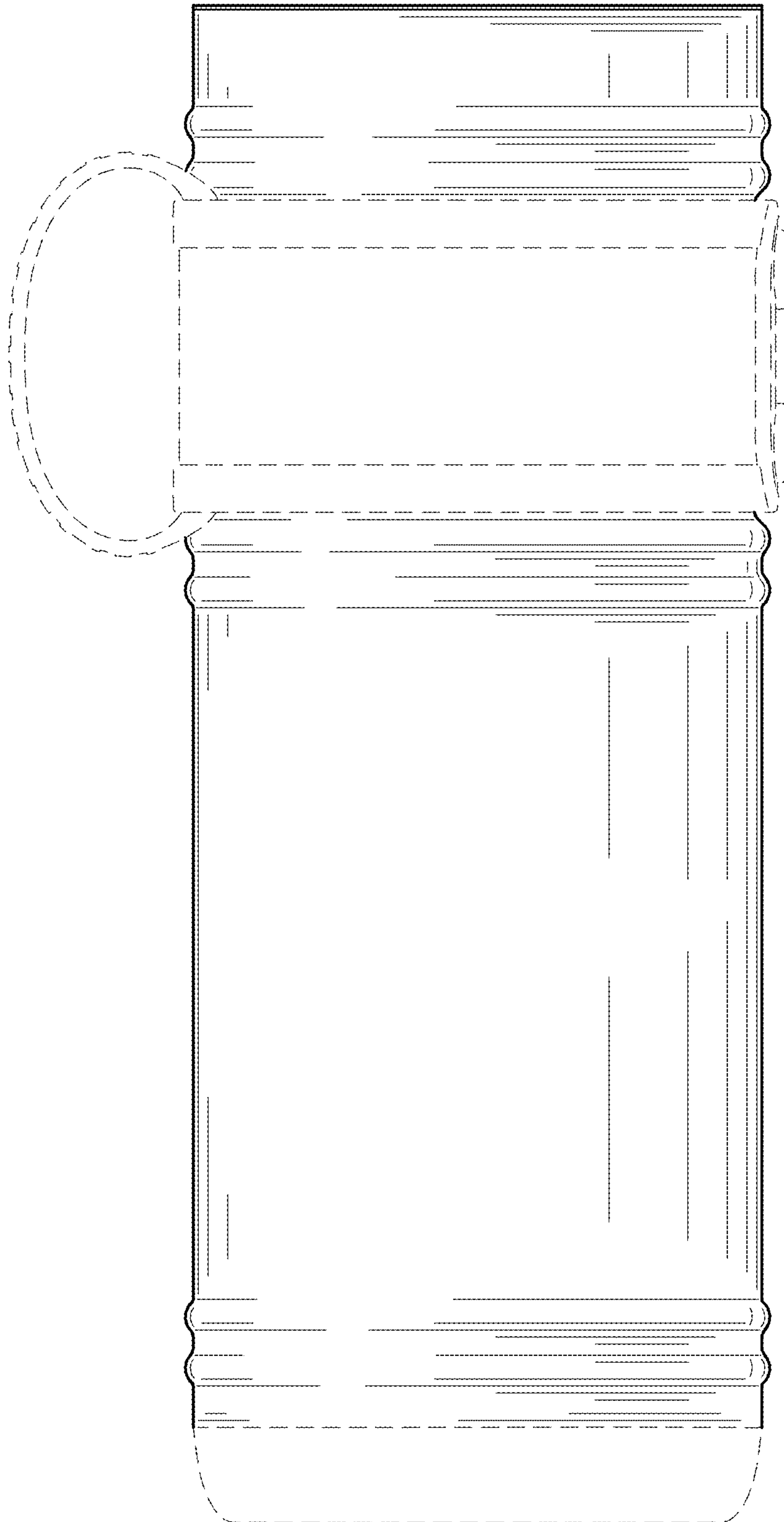


FIG. 13

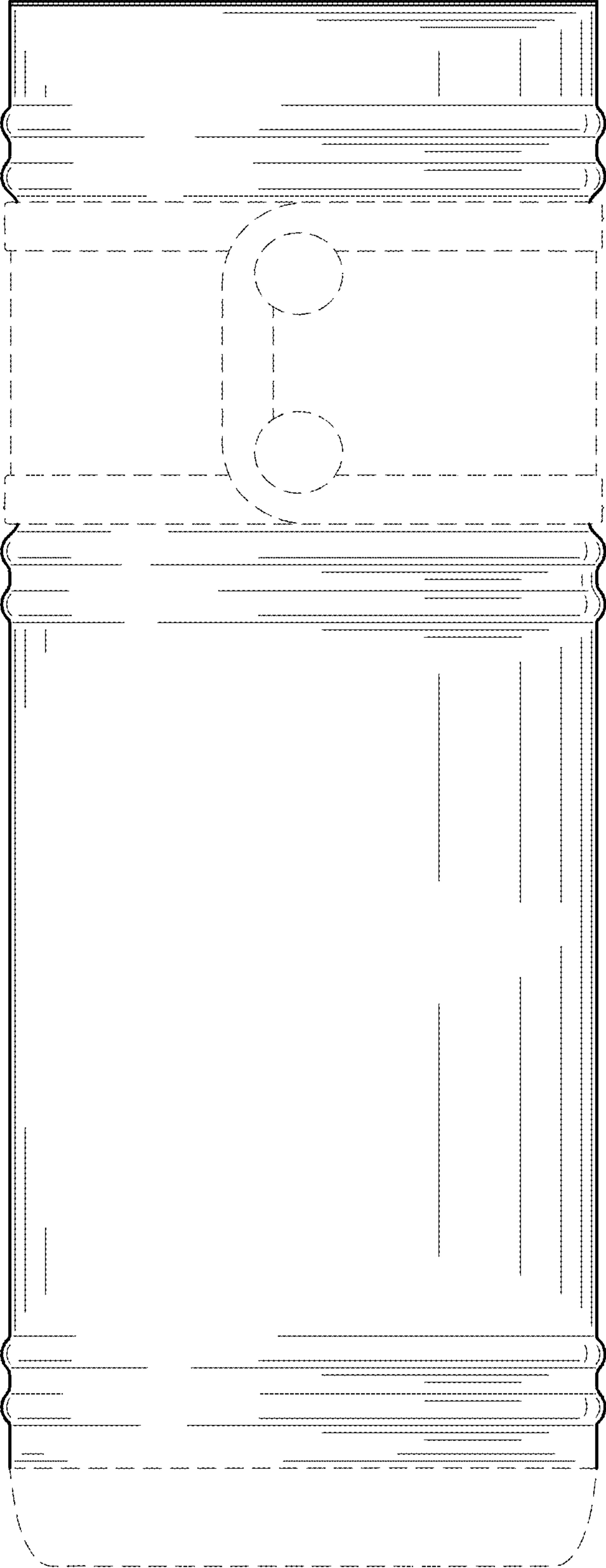


FIG. 14

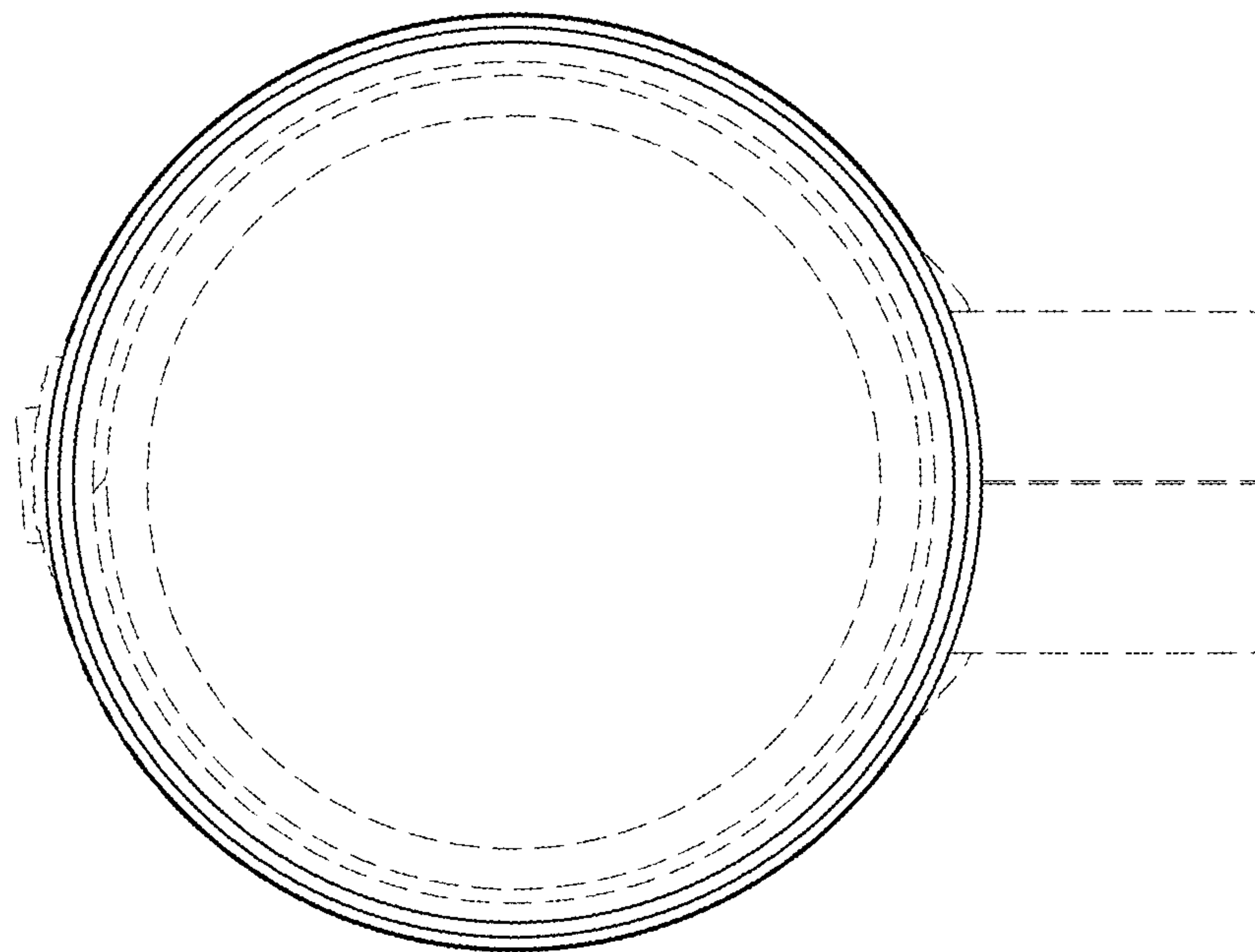


FIG. 15

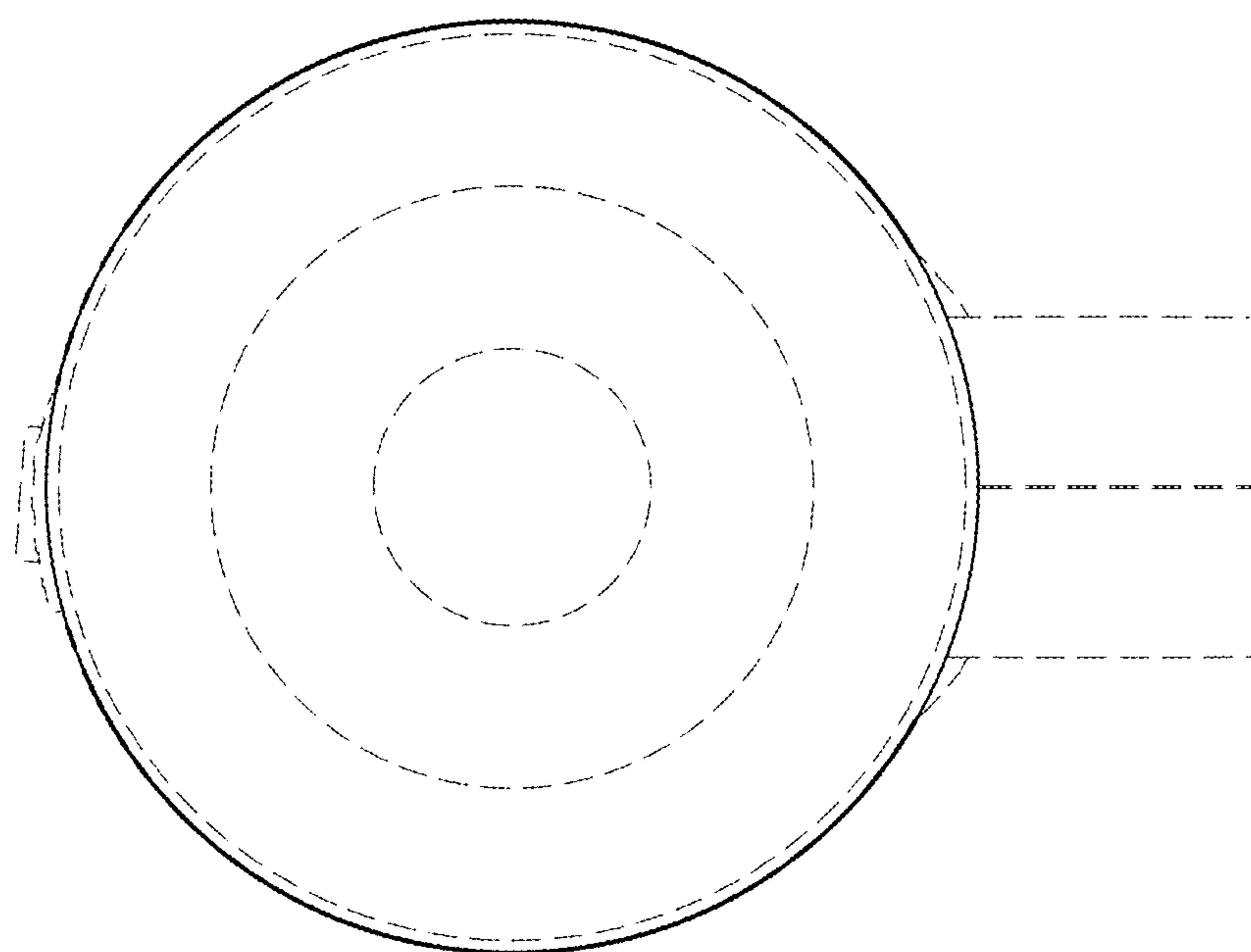


FIG. 16