



US00D946976S

(12) **United States Design Patent**
Bate

(10) **Patent No.:** **US D946,976 S**
(45) **Date of Patent:** **** Mar. 29, 2022**

(54) **WATER BOTTLE HOLDER**
(71) Applicant: **Donna Bate**, Northfield Center, OH
(US)
(72) Inventor: **Donna Bate**, Northfield Center, OH
(US)
(**) Term: **15 Years**

3,698,675 A * 10/1972 Lerew A47K 1/09
211/75
D295,937 S * 5/1988 Corbett D7/620
D355,336 S * 2/1995 Dickey D7/620
D391,452 S * 3/1998 Huebert D7/620
6,325,350 B1 * 12/2001 Mancuso A63B 55/408
248/230.1
2007/0170331 A1 * 7/2007 Prater A47G 23/0225
248/311.2

(21) Appl. No.: **29/728,767**

(22) Filed: **Mar. 20, 2020**

Related U.S. Application Data

(63) Continuation-in-part of application No. 15/707,758,
filed on Sep. 18, 2017, now abandoned.

(51) **LOC (13) Cl.** **07-06**

(52) **U.S. Cl.**
USPC **D7/620**

(58) **Field of Classification Search**
USPC D7/619.1, 620, 624.2
CPC A47G 23/02; A47G 23/0216; A47G
23/0225; A47K 1/09; B60N 3/10; B60N
3/103; B60N 3/108; A45F 3/16; A45F
5/00; A45F 2200/0583; A63K 3/046;
A63B 2225/682
See application file for complete search history.

(56) **References Cited**

U.S. PATENT DOCUMENTS

D20,795 S * 6/1891 Lawton D7/590
2,979,301 A * 4/1961 Reveal A47G 23/0216
220/737

* cited by examiner

Primary Examiner — Terry A Wallace

(74) *Attorney, Agent, or Firm* — Ulmer & Berne LLP

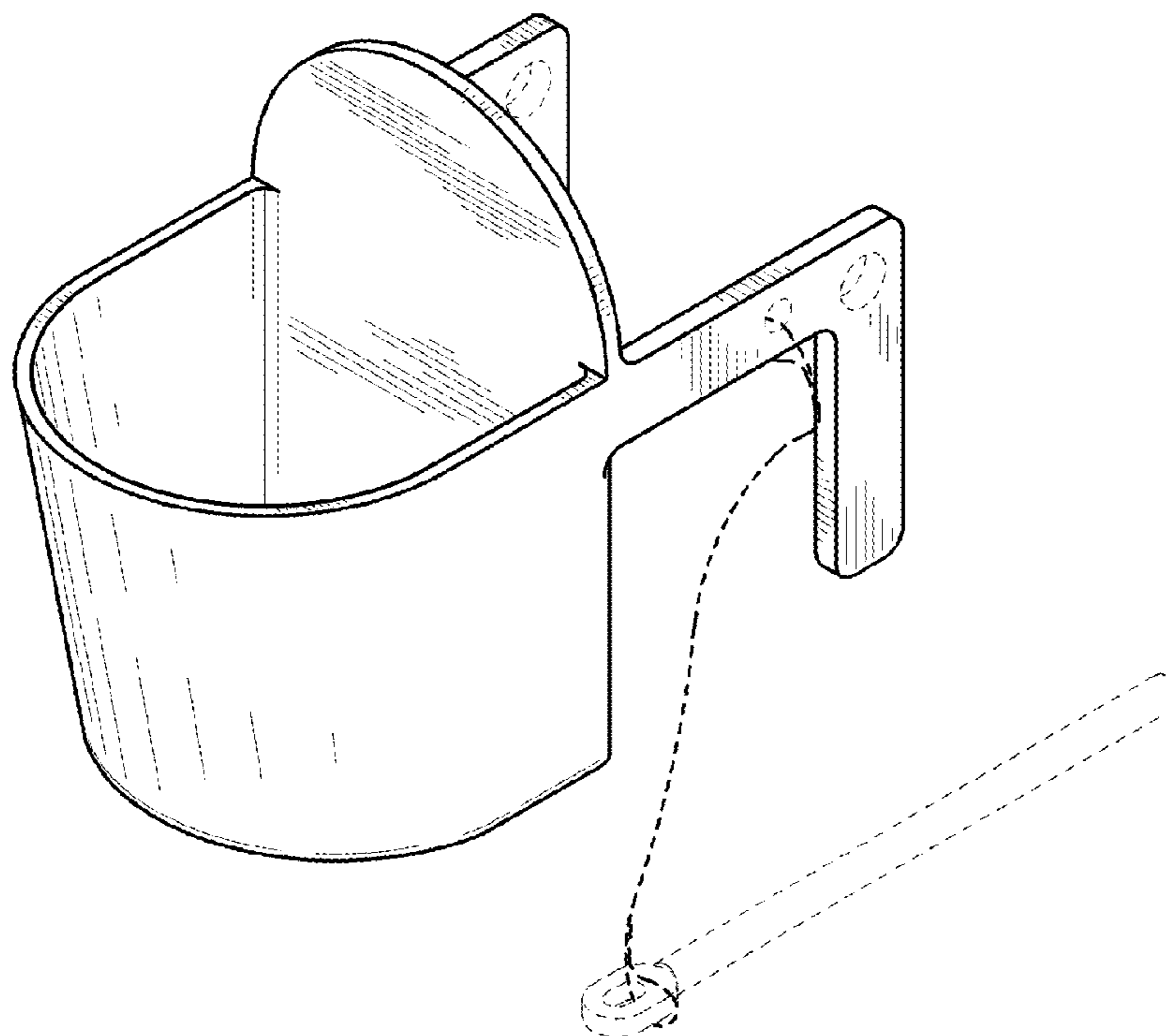
(57) **CLAIM**

The ornamental design for an water bottle holder, as shown
and described.

DESCRIPTION

FIG. 1 is a perspective view of a water bottle holder in situ
secured to an associated horse jump post;
FIG. 2 is a perspective view thereof in situ unmounted;
FIG. 3 is a top view thereof;
FIG. 4 is a bottom view thereof;
FIG. 5 is a first side view thereof;
FIG. 6 is a second side view thereof; and,
FIG. 7 is a third side view thereof.
The broken lines showing the holes and knob in the water
bottle holder are unclaimed. The remaining broken lines
showing the bottle, equestrian hitching post, tether and pin
are for illustrative purposes only and form no part of the
claimed design.

1 Claim, 2 Drawing Sheets



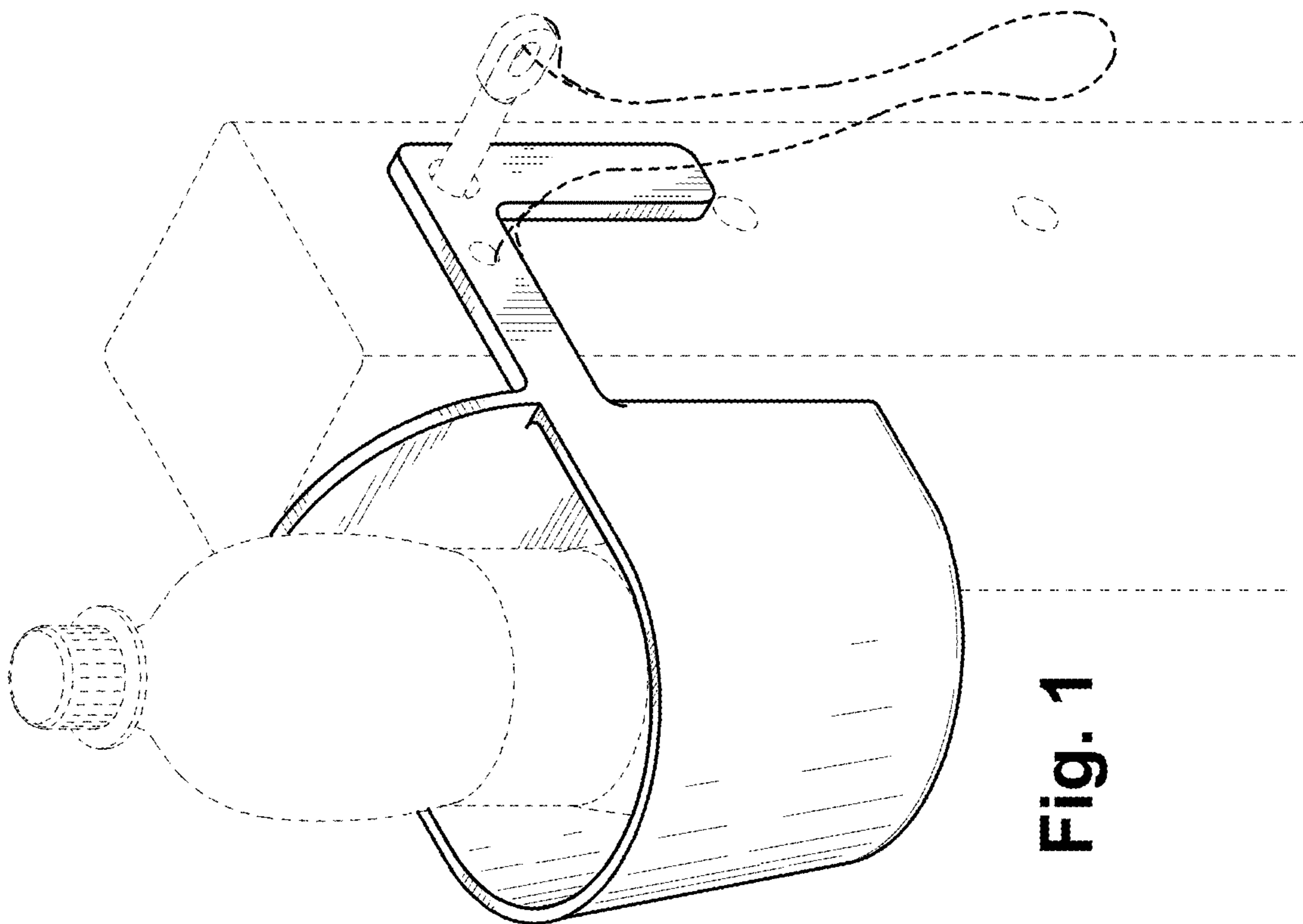


Fig. 1

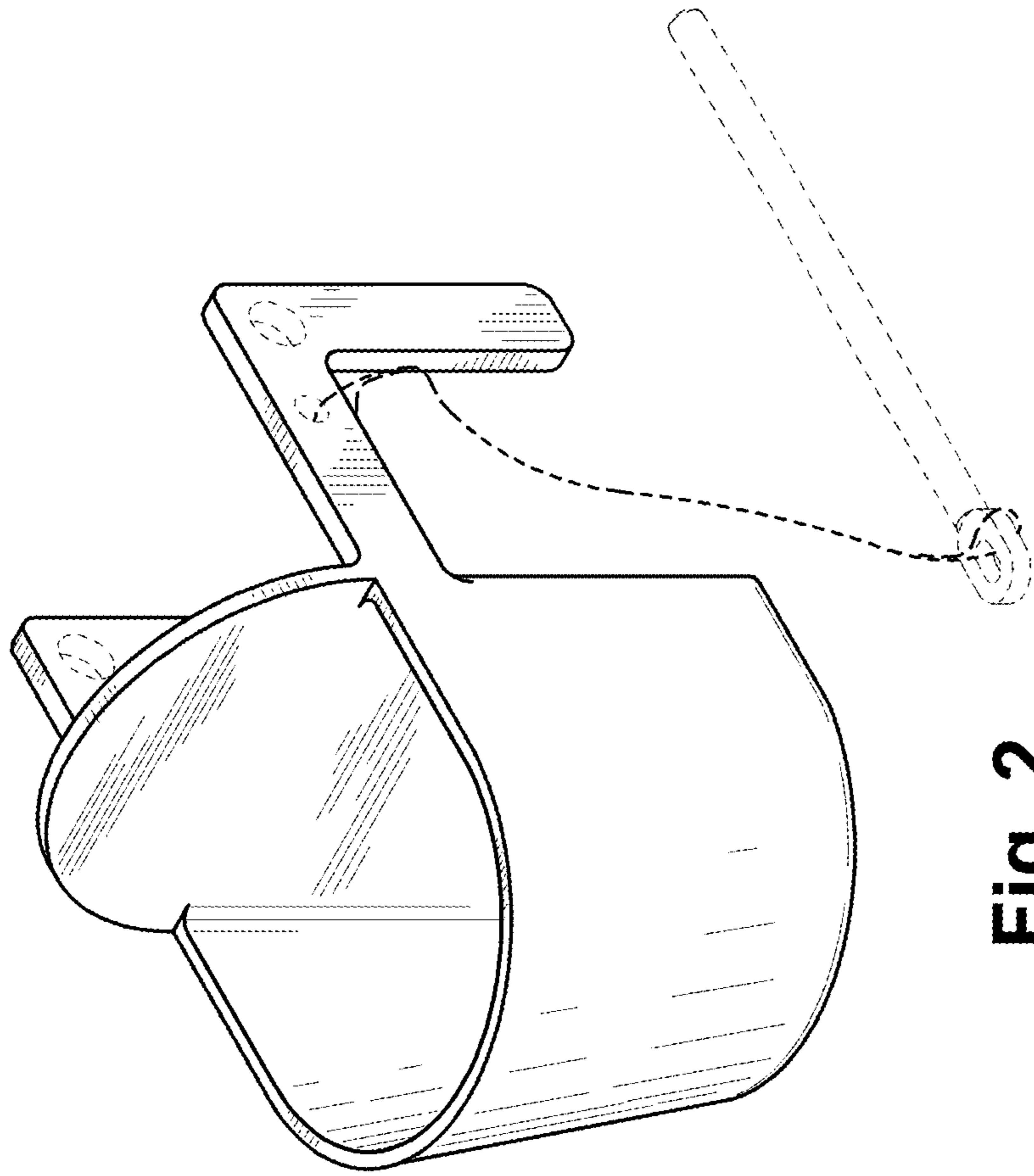


Fig. 2

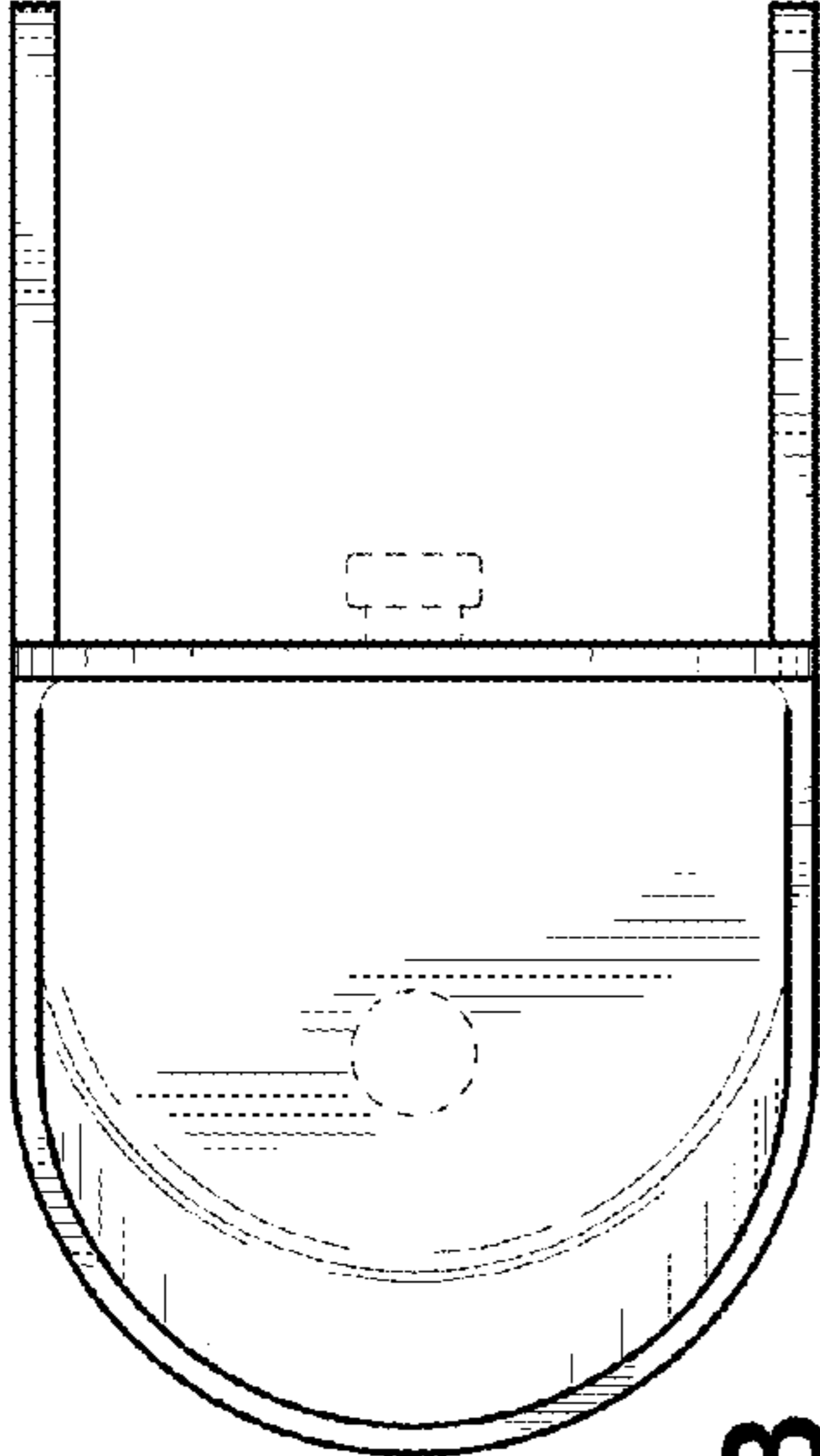


Fig. 3

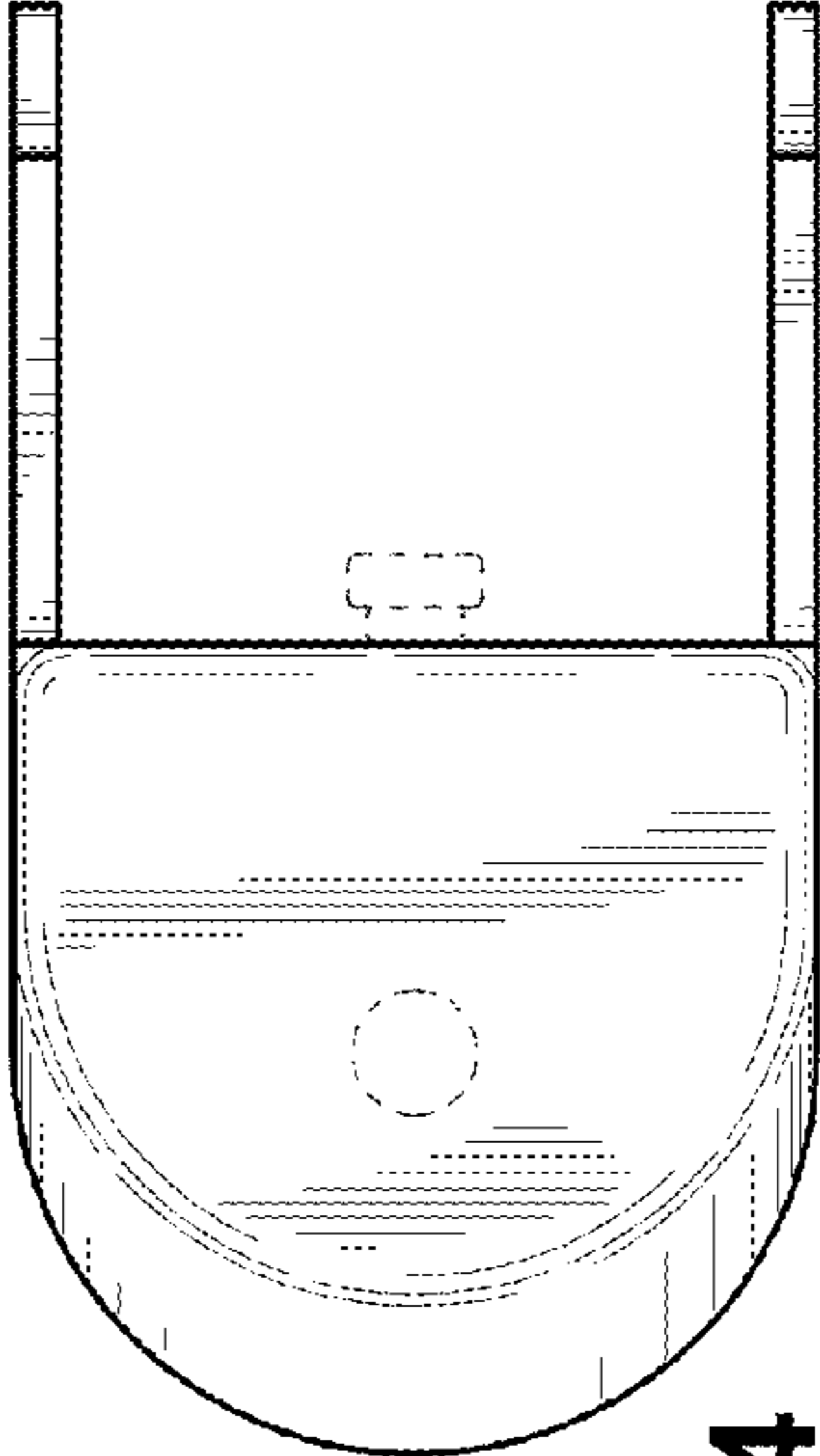


Fig. 4

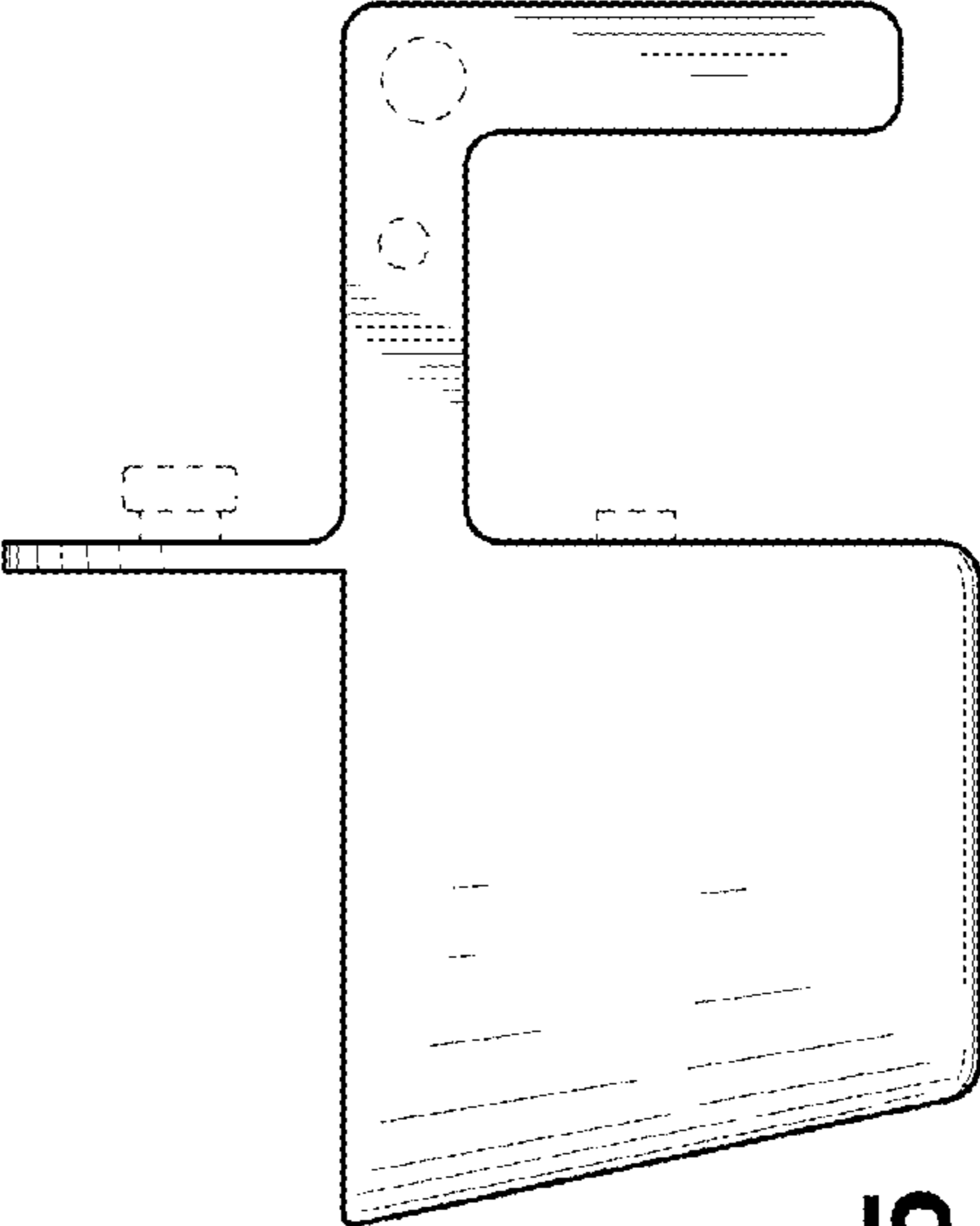


Fig. 5

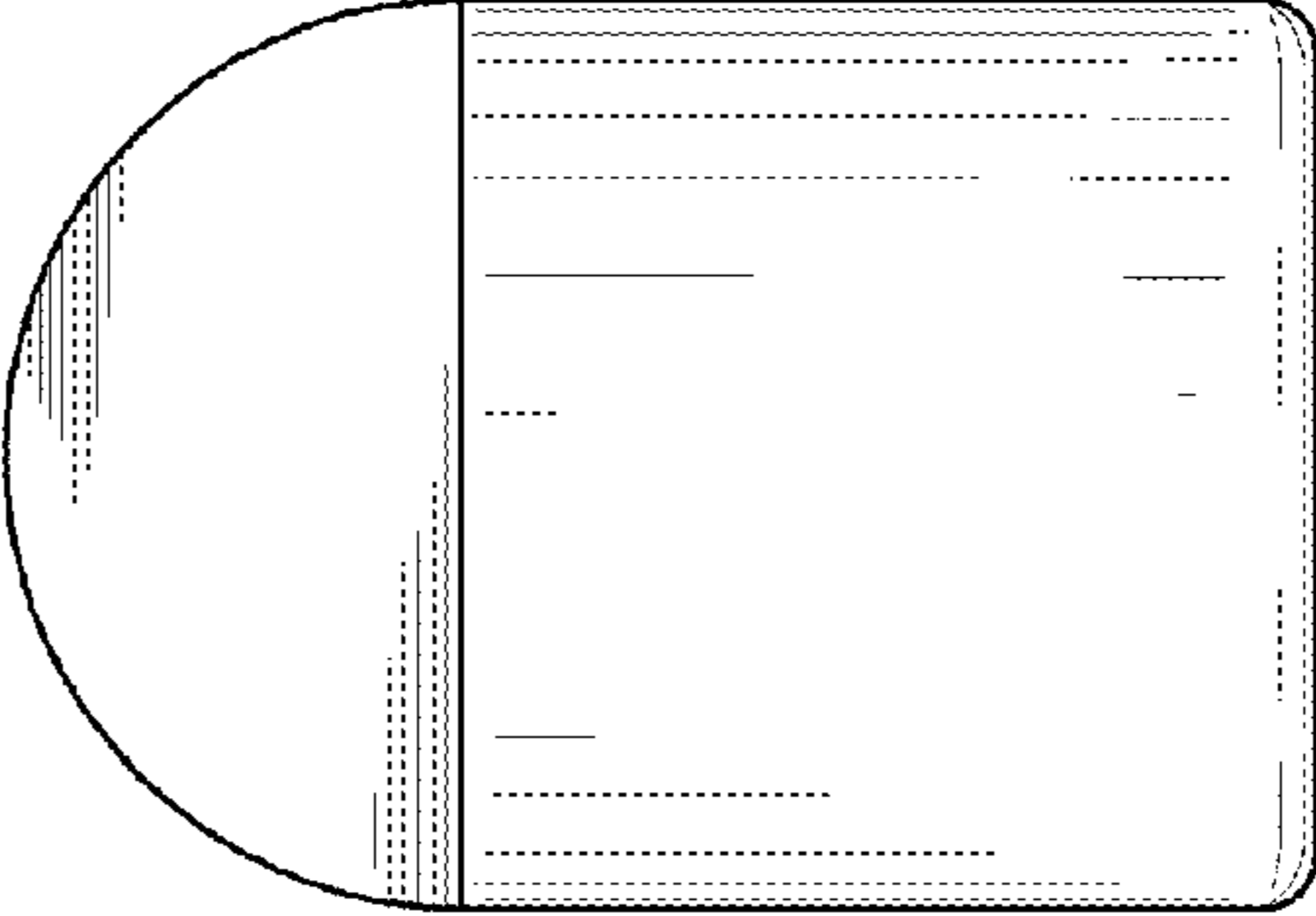


Fig. 6

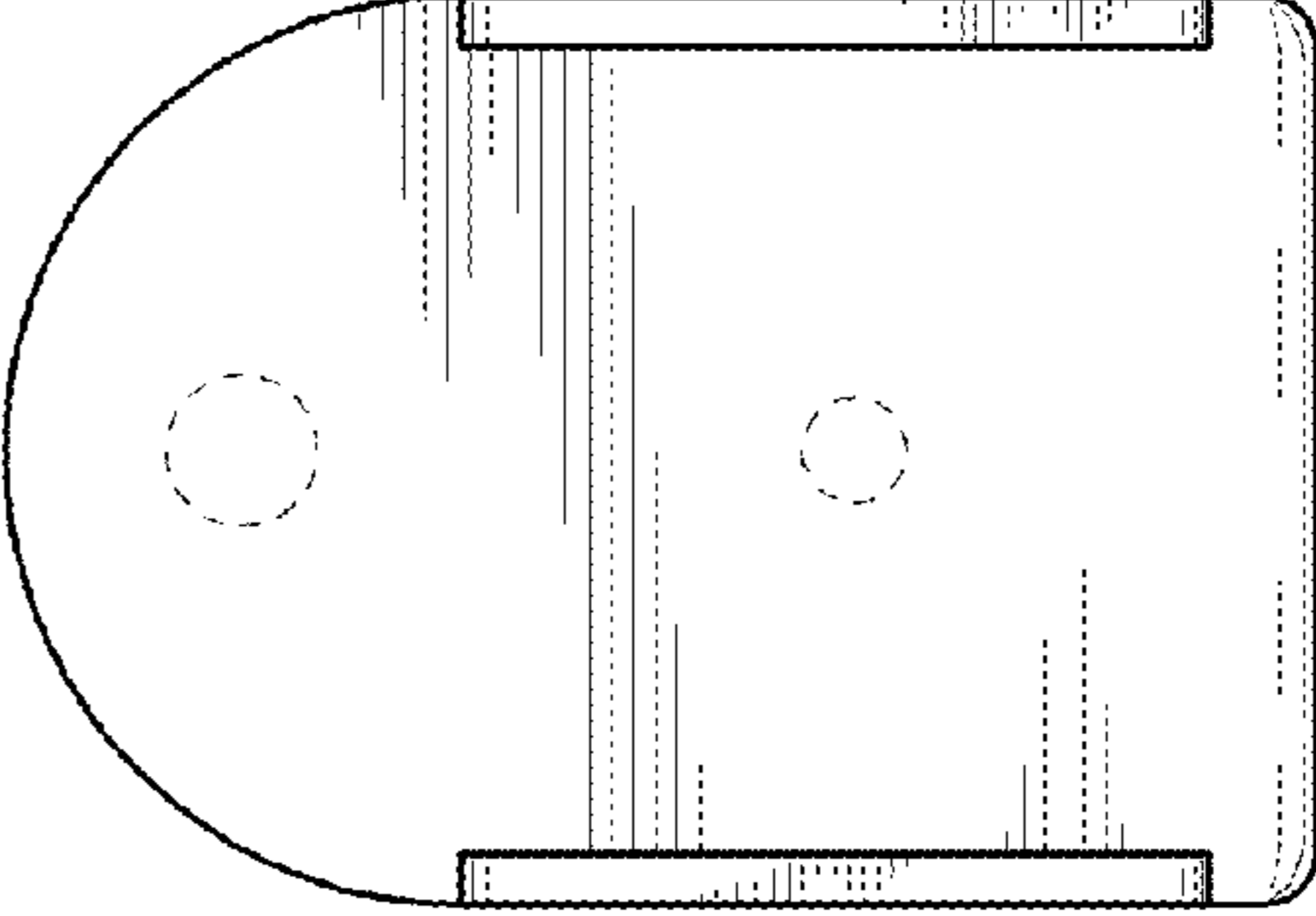


Fig. 7