



US00D946973S

(12) **United States Design Patent**  
**Wahl et al.**

(10) **Patent No.:** **US D946,973 S**  
(45) **Date of Patent:** **\*\* Mar. 29, 2022**

(54) **BEVERAGE CONTAINER**

D234,110 S 1/1975 Achenbach  
4,344,303 A 8/1982 Kelly, Jr.  
4,462,444 A 7/1984 Larson  
4,615,463 A 10/1986 Price et al.

(71) Applicant: **Pacific Market International, LLC**,  
Seattle, WA (US)

(Continued)

(72) Inventors: **Andrew C. F. Wahl**, Seattle, WA (US);  
**Matthew Kenneth Dolph**, Seattle, WA  
(US)

**OTHER PUBLICATIONS**

Information Disclosure Statement Transmittal Letter filed herewith,  
dated Jul. 6, 2020, 2 pages.

(73) Assignee: **Pacific Market International, LLC**,  
Seattle, WA (US)

(Continued)

(\*\*) Term: **15 Years**

*Primary Examiner* — Terry A Wallace

(21) Appl. No.: **29/720,579**

(74) *Attorney, Agent, or Firm* — George C. Rondeau, Jr.;  
Davis Wright Tremaine, LLP

(22) Filed: **Jan. 14, 2020**

(57) **CLAIM**

(51) **LOC (13) Cl.** ..... **07-01**

The ornamental design for a beverage container, as shown  
and described.

(52) **U.S. Cl.**

USPC ..... **D7/608**

**DESCRIPTION**

(58) **Field of Classification Search**

USPC ..... D7/605–608, 509–511, 619.1–625, 629,  
D7/630; D9/500, 502–505, 516, 549,  
D9/557, 558

CPC ..... B65D 81/3837; B65D 81/3839; B65D  
81/3841; B65D 81/3844; B65D 81/3846;  
B65D 81/3869; B65D 81/3881; B65D  
81/3876; B65D 81/3865; B65D 81/38;  
B65D 23/104; B65D 1/00; B65D 1/02;  
B65D 2501/00; B65D 2501/0009; A47J  
41/0005; A47J 41/0083; A47J 41/02;  
A47J 41/024; A47J 41/026; A47J 41/028;  
A47J 41/0077; A47J 41/00; A47J  
41/0088; F25D 2331/803; F25D 3/08;  
A45C 11/20

See application file for complete search history.

FIG. 1 is a top perspective view of a beverage container  
showing our new design.

FIG. 2 is a bottom perspective view thereof.

FIG. 3 is a left side view thereof.

FIG. 4 is a rear view thereof.

FIG. 5 is a right side view thereof.

FIG. 6 is a front view thereof.

FIG. 7 is a top plan view thereof.

FIG. 8 is a bottom plan view thereof.

FIG. 9 is a top perspective view of an alternate embodiment  
of FIG. 1.

FIG. 10 is a bottom perspective view of FIG. 9.

FIG. 11 is a left side view of FIG. 9.

FIG. 12 is a rear view of FIG. 9.

FIG. 13 is a right side view of FIG. 9.

FIG. 14 is a front view of FIG. 9.

FIG. 15 is a top plan view of FIG. 9; and,

FIG. 16 is a bottom plan view of FIG. 9.

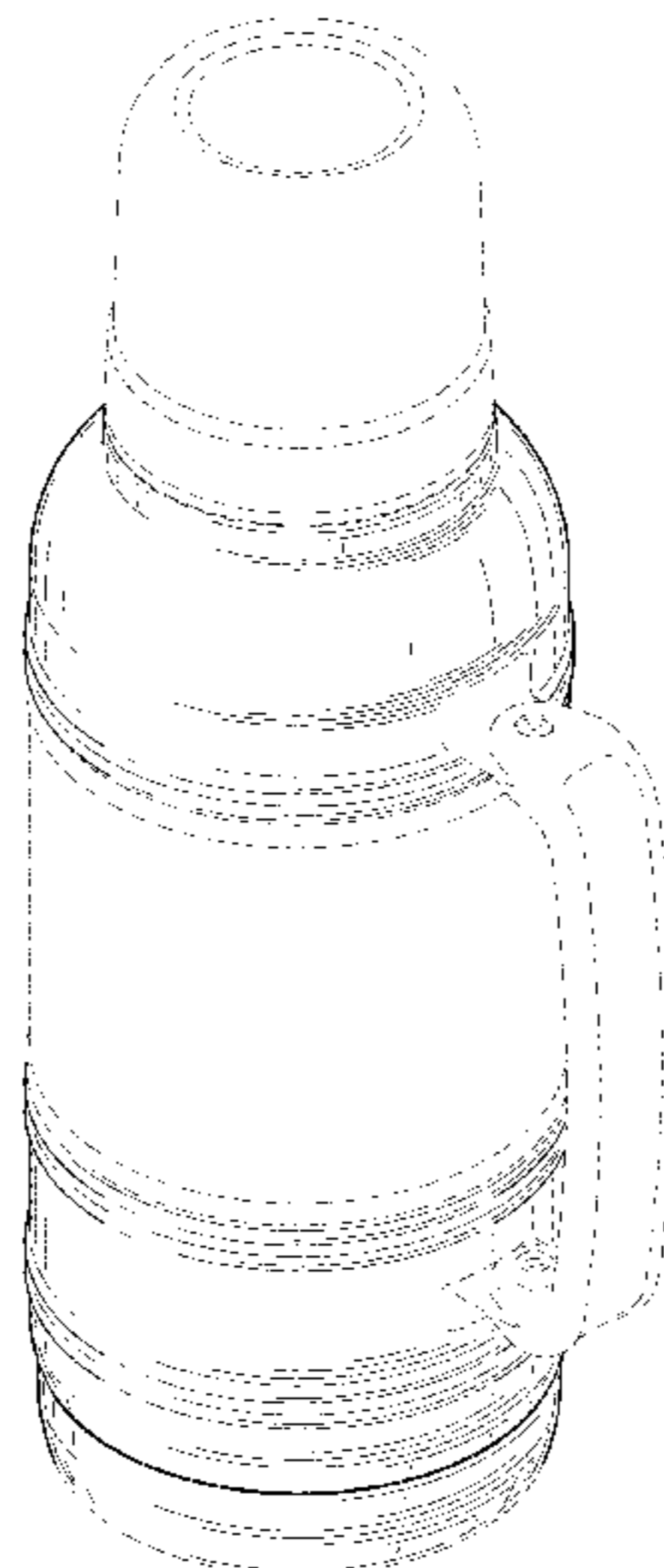
The broken lines depict portions of the beverage container  
which form no part of the claimed design.

(56) **References Cited**

**U.S. PATENT DOCUMENTS**

D120,134 S 4/1940 Morrison  
2,963,187 A \* 12/1960 Bramming ..... A47J 41/02  
215/12.1

**1 Claim, 14 Drawing Sheets**



(56)

References Cited

U.S. PATENT DOCUMENTS

4,966,303 A 10/1990 Jones  
 D411,802 S \* 7/1999 Hestehave ..... D9/500  
 D437,528 S \* 2/2001 Kitamura ..... D7/608  
 6,332,557 B1 \* 12/2001 Moran ..... A47J 41/0083  
 215/12.1  
 D518,380 S 4/2006 Moran  
 D551,022 S 9/2007 Meehan  
 D553,908 S 10/2007 Bonini  
 D557,994 S 12/2007 Wahl  
 D630,062 S \* 1/2011 Carreno ..... D7/608  
 D639,114 S 6/2011 Swinford et al.  
 D649,402 S 11/2011 Gilbert et al.  
 D650,235 S 12/2011 Eyal  
 D652,257 S \* 1/2012 Kraemer ..... D7/523  
 D660,084 S 5/2012 Gilbert  
 D660,655 S 5/2012 Wahl et al.  
 D669,737 S \* 10/2012 Nemeth ..... D7/532  
 D701,428 S 3/2014 Lapsker  
 D718,980 S 12/2014 Lapsker  
 D742,221 S 11/2015 Casiddu

D742,699 S \* 11/2015 Boroski ..... D7/608  
 D754,484 S \* 4/2016 Lapsker ..... D7/532  
 D756,784 S \* 5/2016 Fine ..... D9/500  
 D769,046 S \* 10/2016 Beckman ..... B65D 25/28  
 D7/316  
 D784,763 S 4/2017 Oshana  
 D809,347 S \* 2/2018 Silsby ..... D7/608  
 D827,377 S \* 9/2018 Silsby ..... D7/510  
 10,959,553 B2 \* 3/2021 Nichols ..... A47J 41/0027  
 D917,968 S \* 5/2021 Silsby ..... D7/510  
 2007/0241117 A1 10/2007 Szymanski

OTHER PUBLICATIONS

U.S. Appl. No. 29/719,765, filed Jan. 7, 2020.  
 U.S. Appl. No. 29/726,740, filed Mar. 5, 2020.  
 U.S. Appl. No. 29/720,574, filed Jan. 14, 2020.  
 U.S. Appl. No. 29/726,746, filed Mar. 5, 2020.  
 U.S. Appl. No. 29/719,766, filed Jan. 7, 2020.  
 U.S. Appl. No. 29/726,753, filed Mar. 5, 2020.  
 U.S. Appl. No. 29/726,761, filed Mar. 5, 2020.

\* cited by examiner

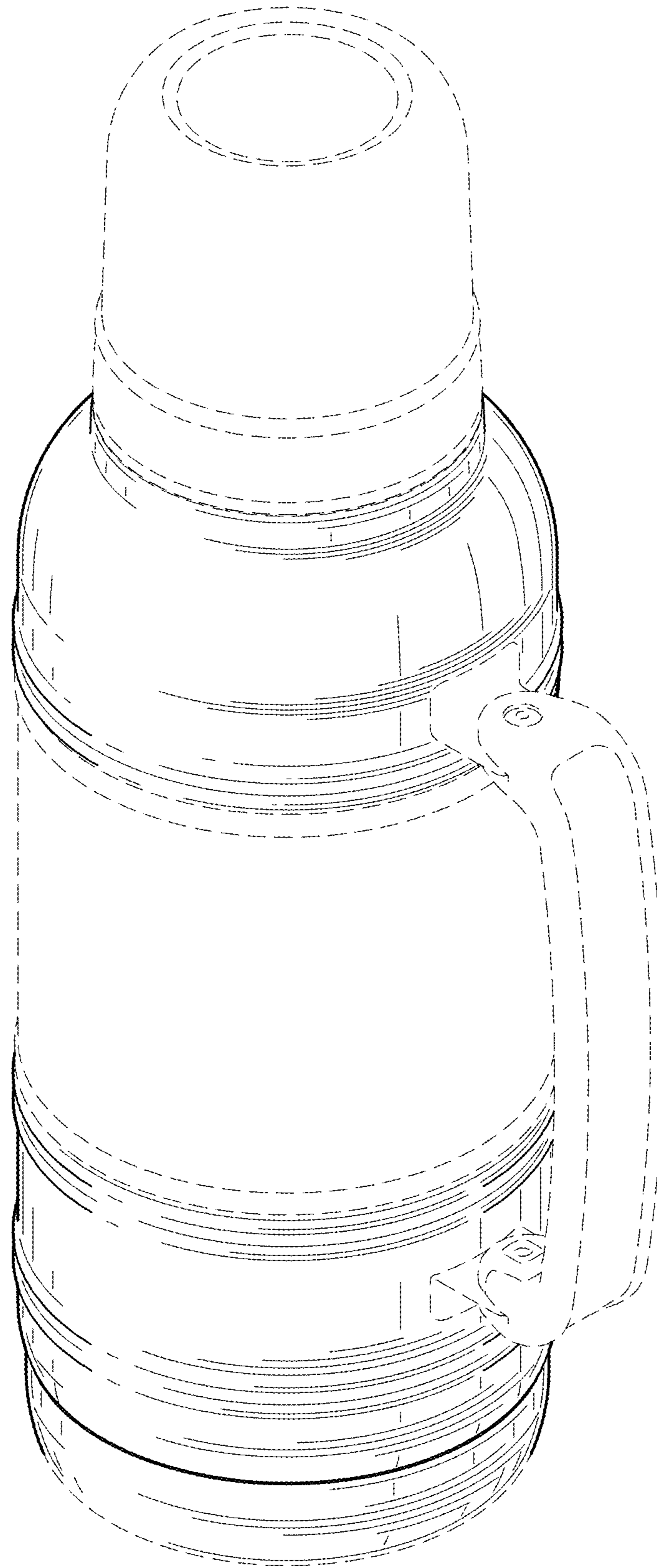


FIG. 1

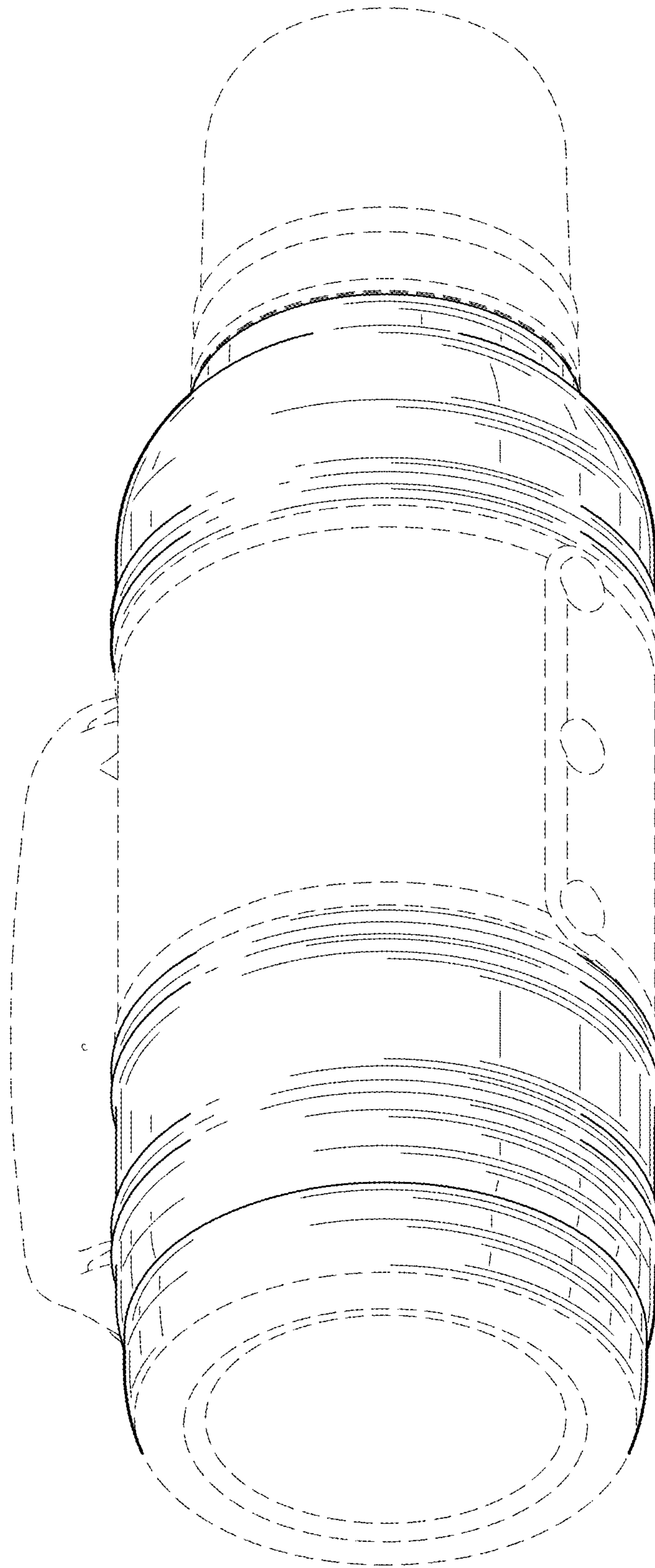


FIG. 2

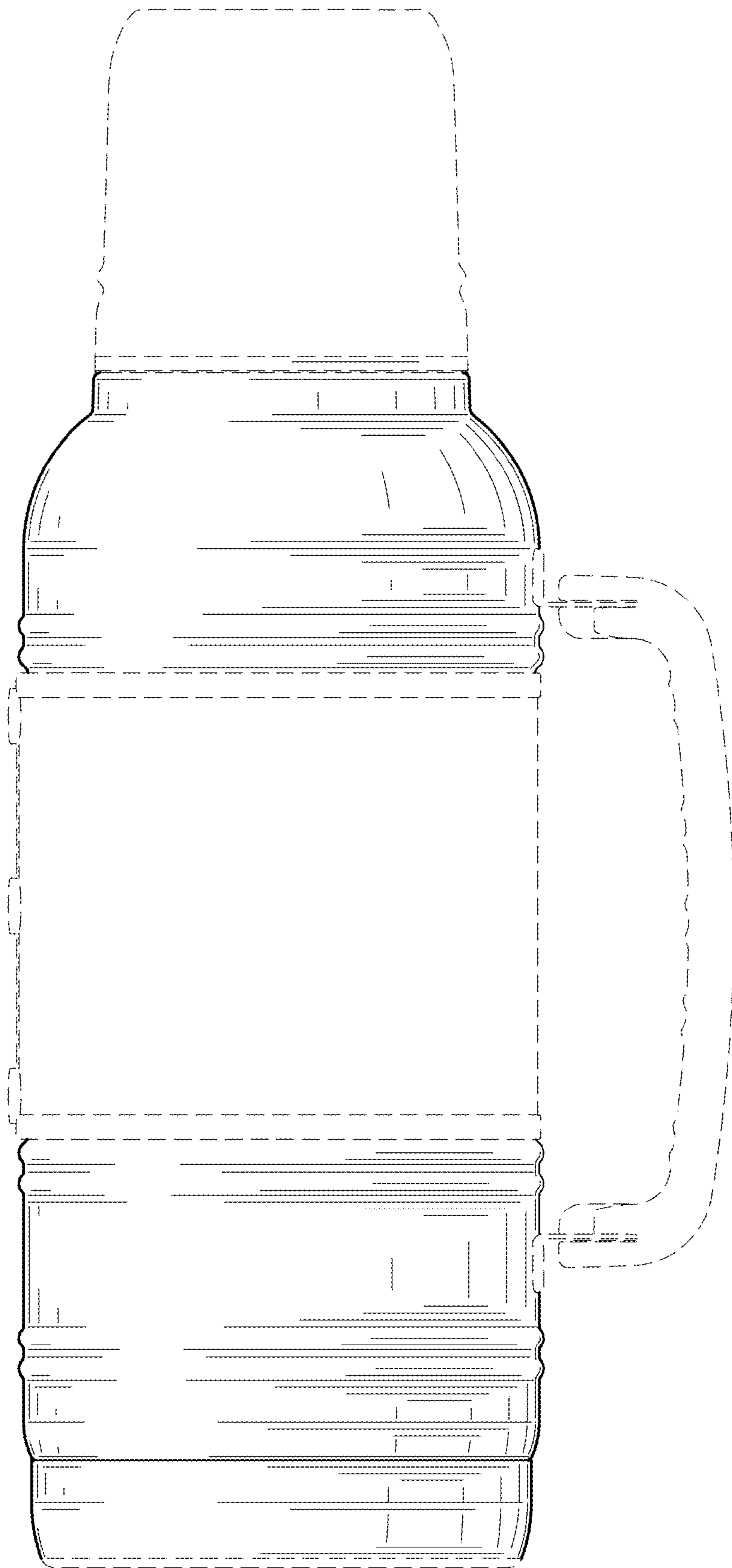


FIG. 3

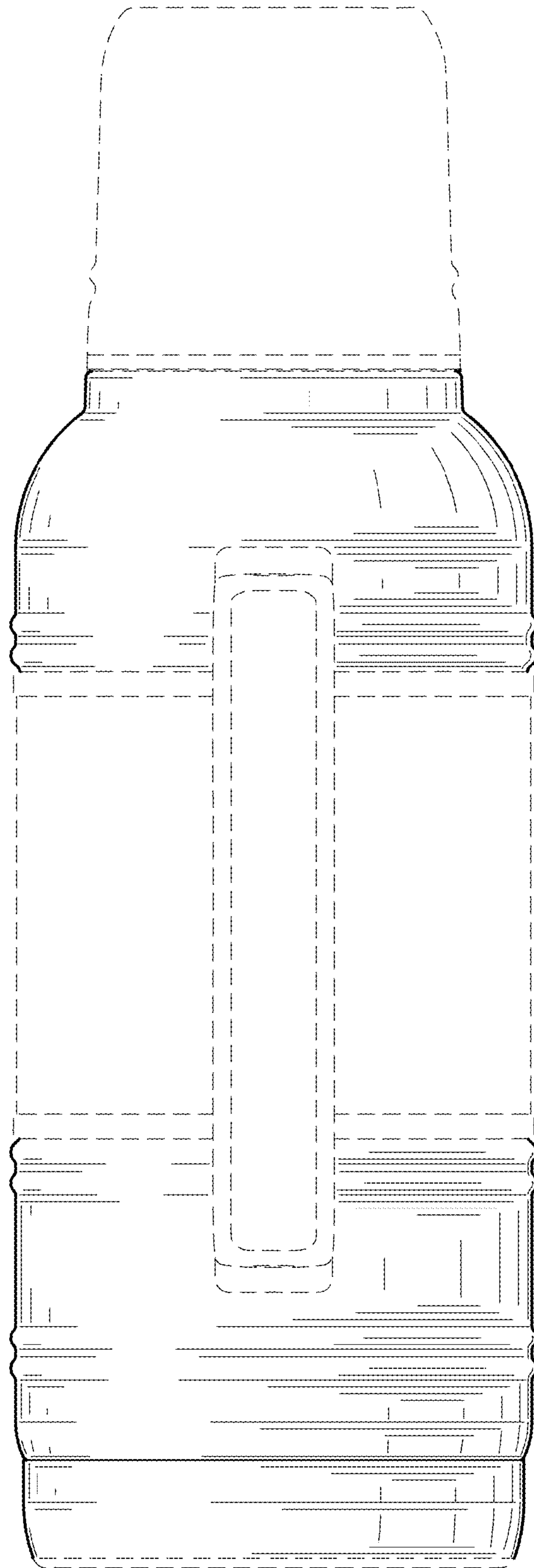


FIG. 4

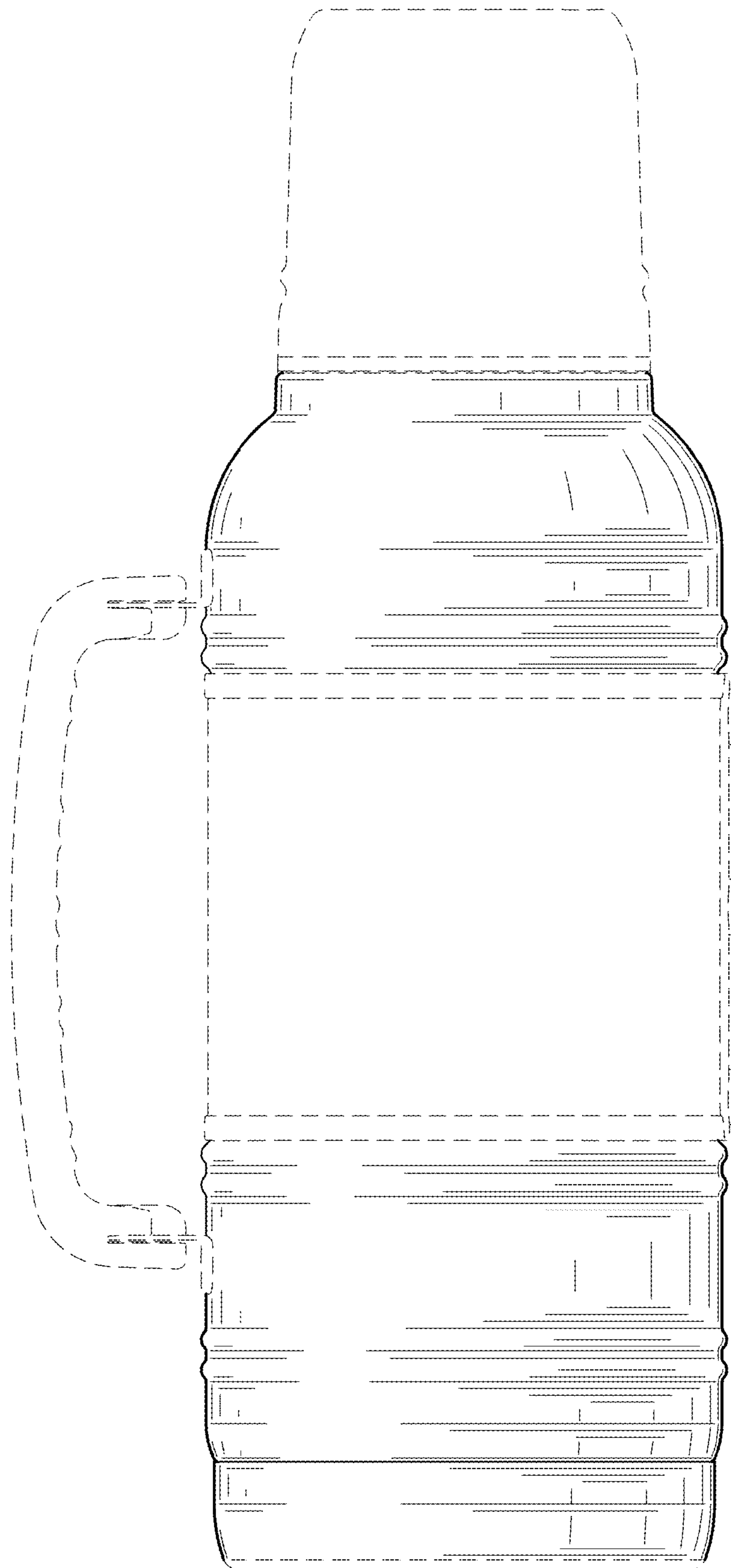


FIG. 5

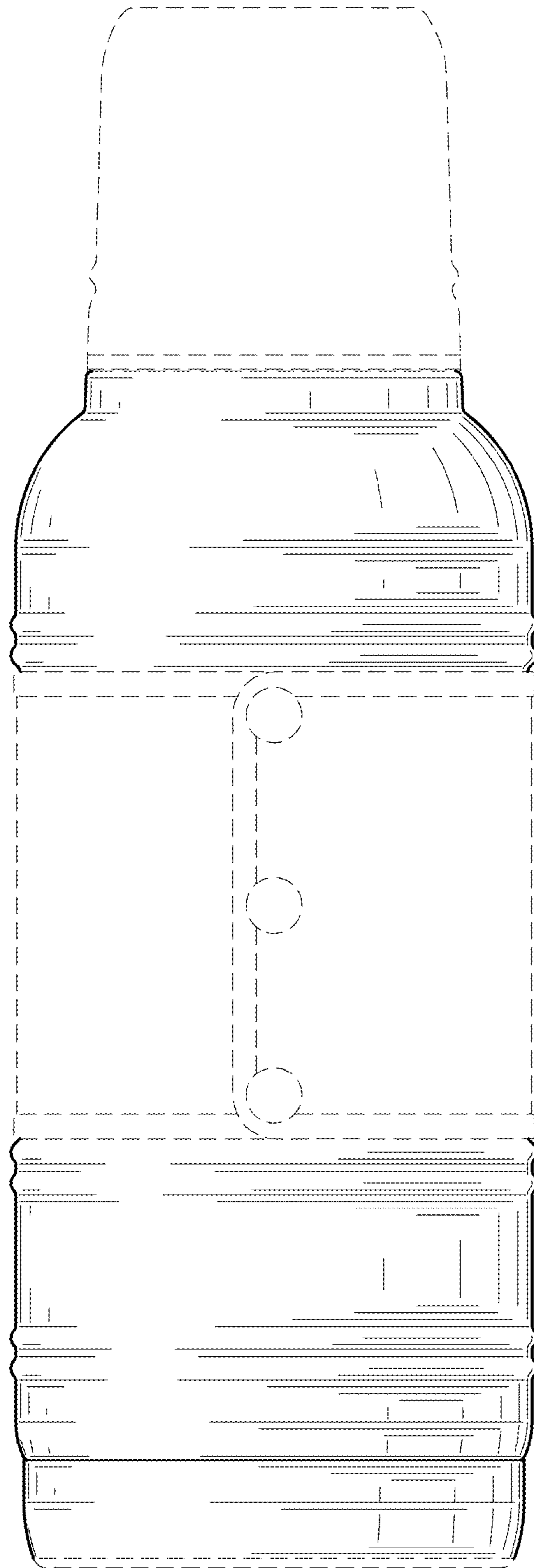


FIG. 6



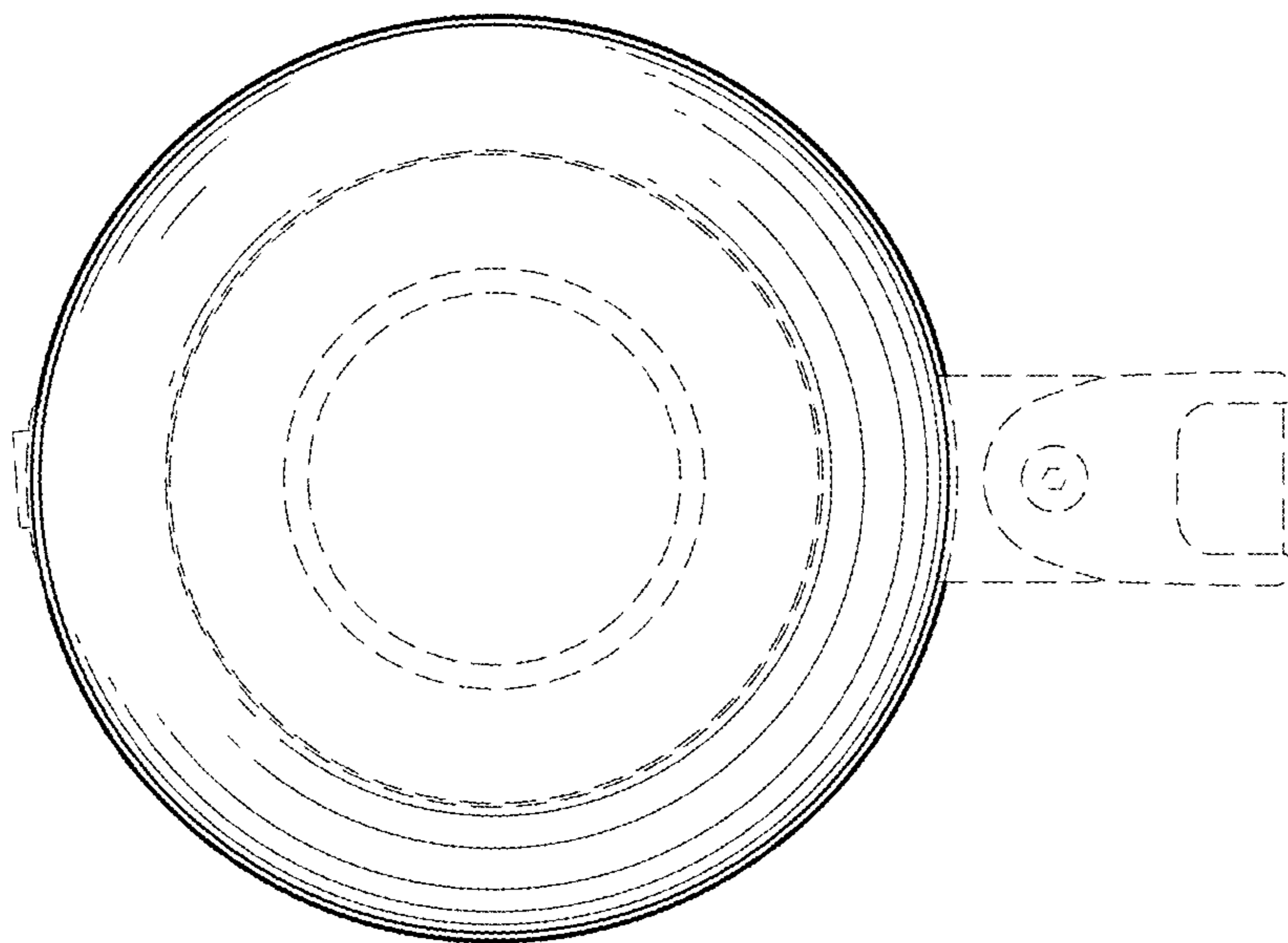


FIG. 7

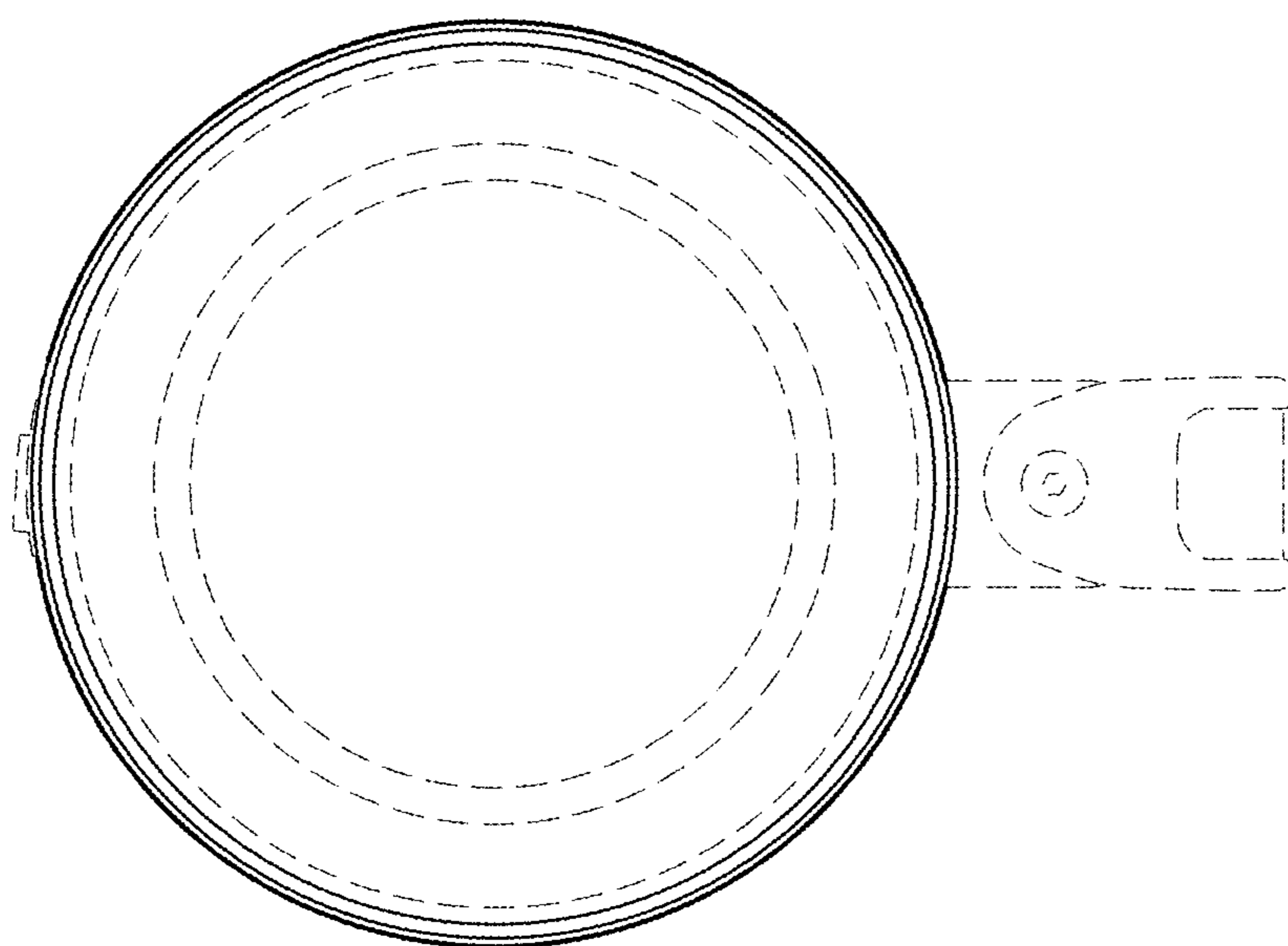


FIG. 8

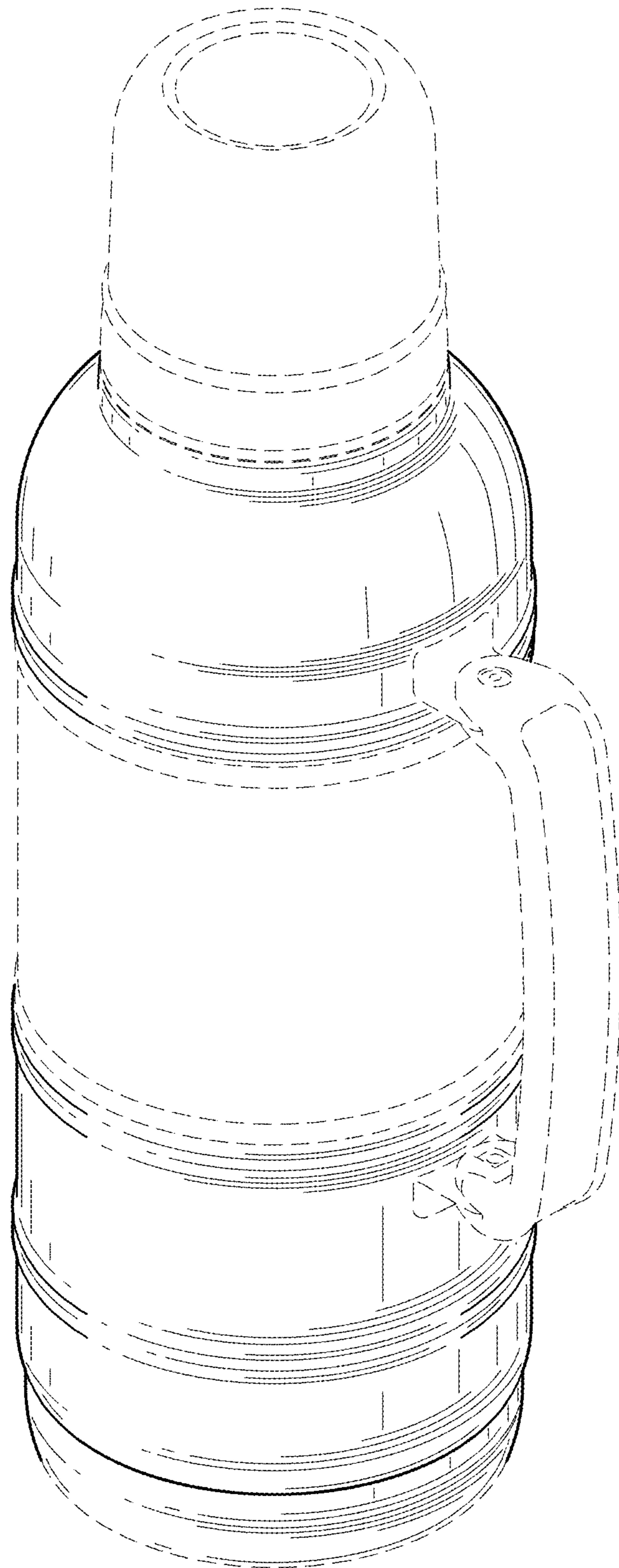


FIG. 9

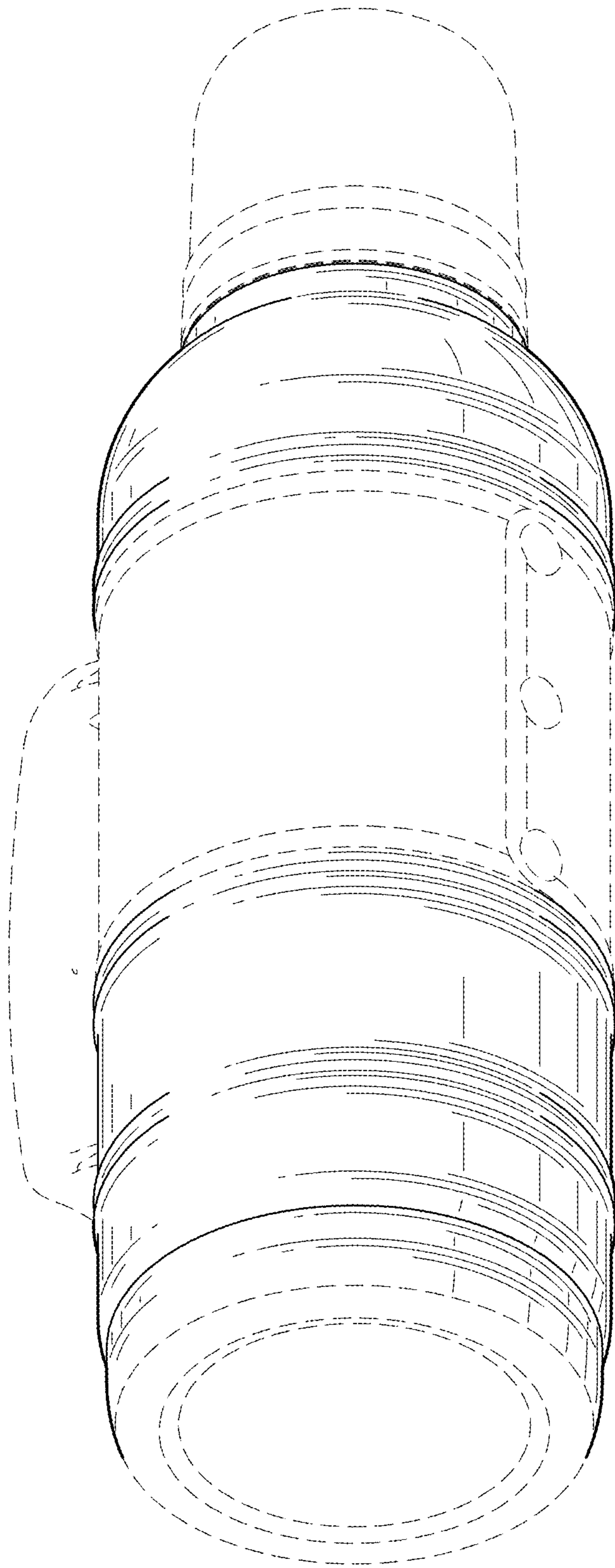


FIG. 10

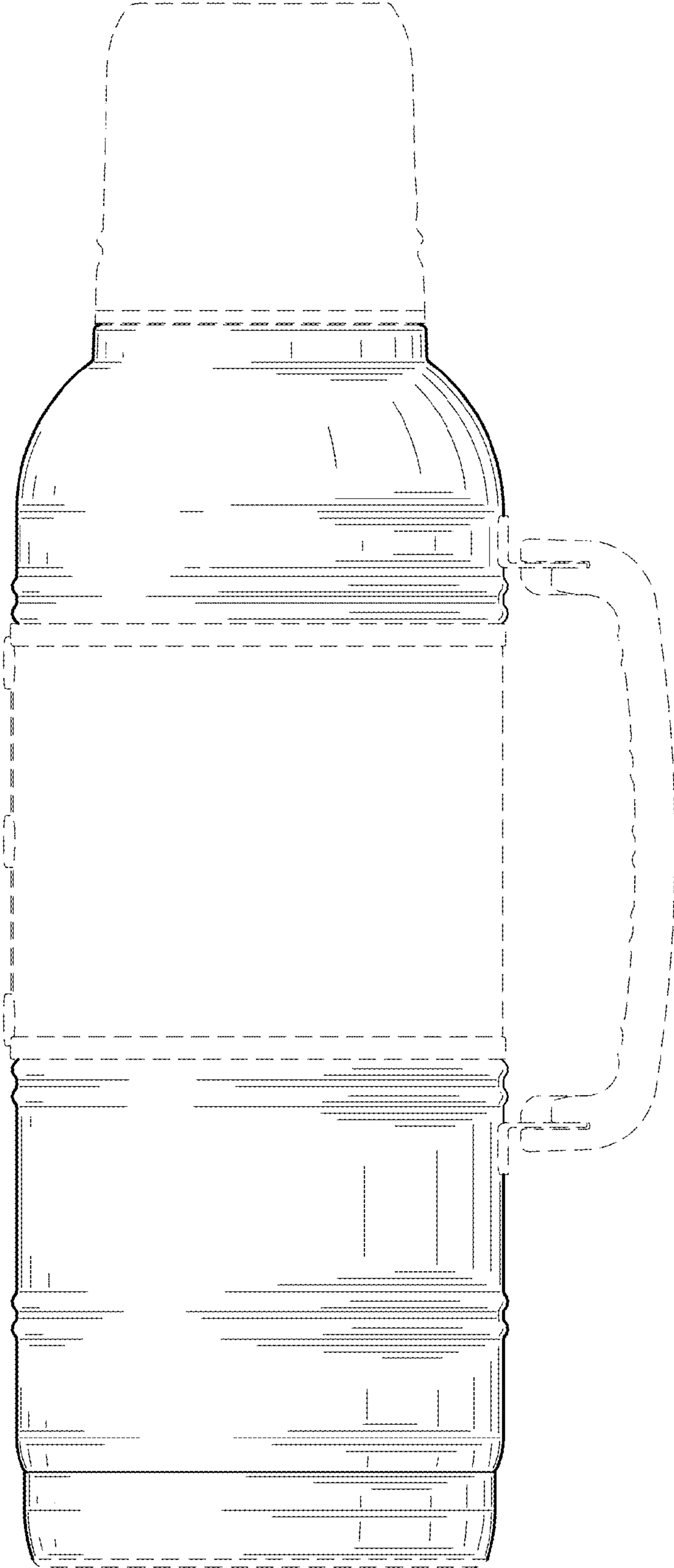


FIG. 11

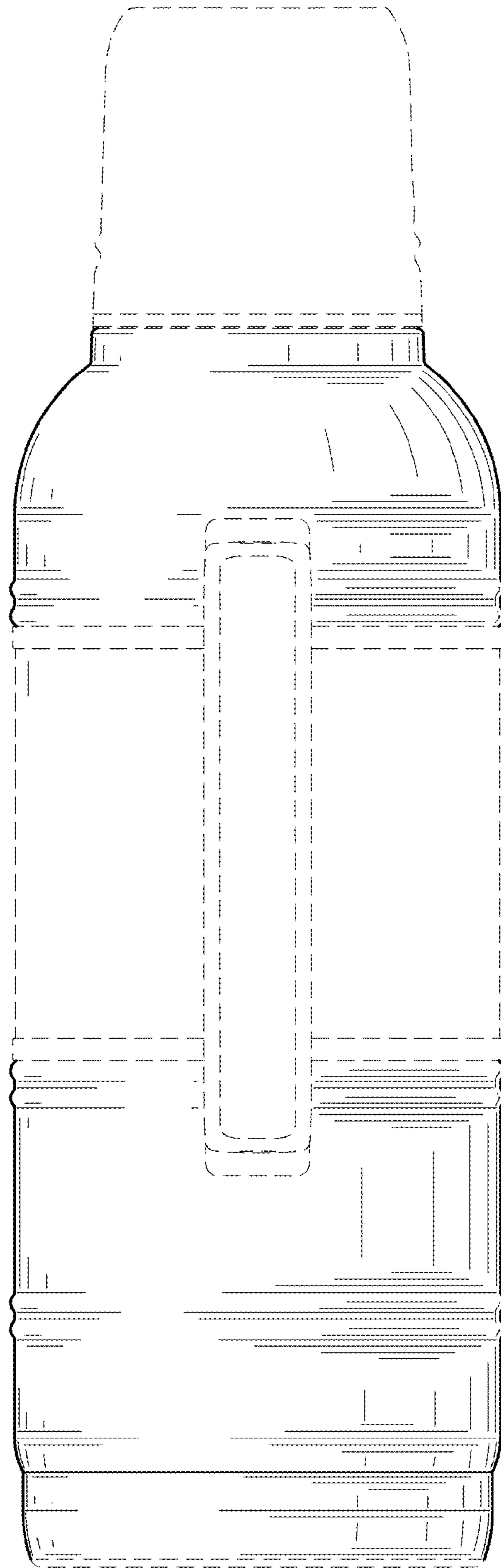


FIG. 12

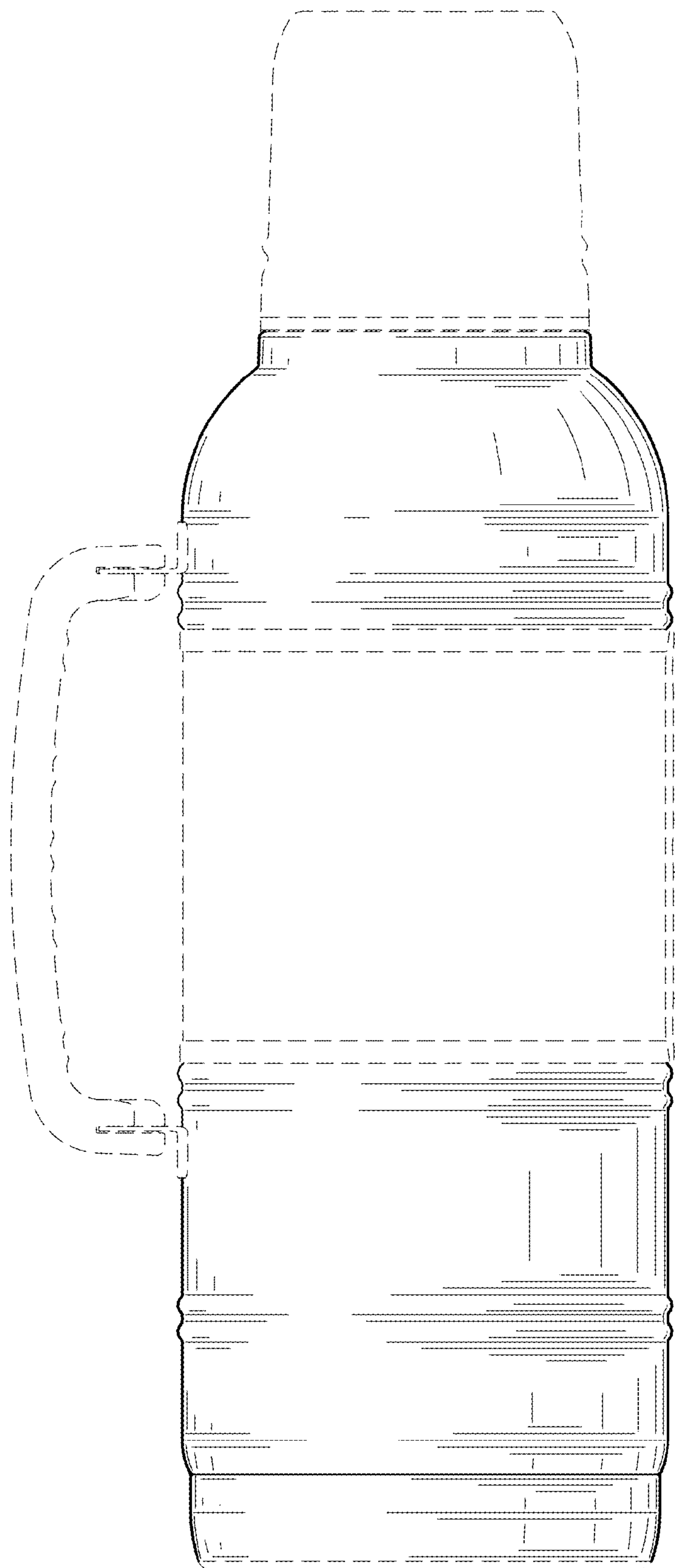


FIG. 13

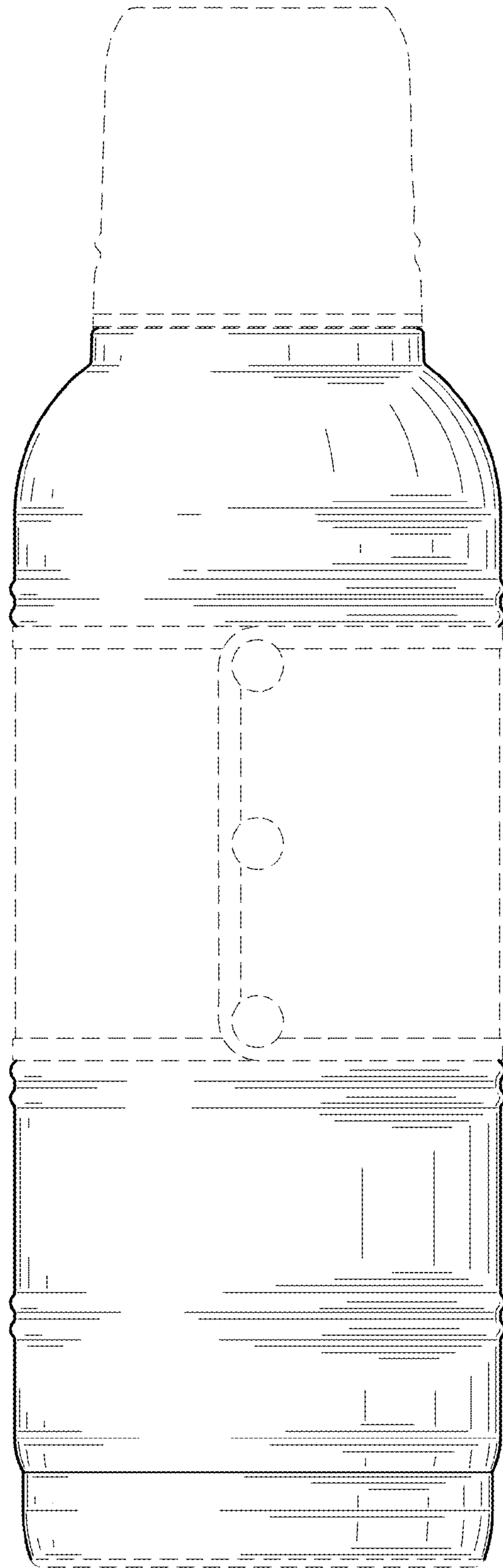


FIG. 14

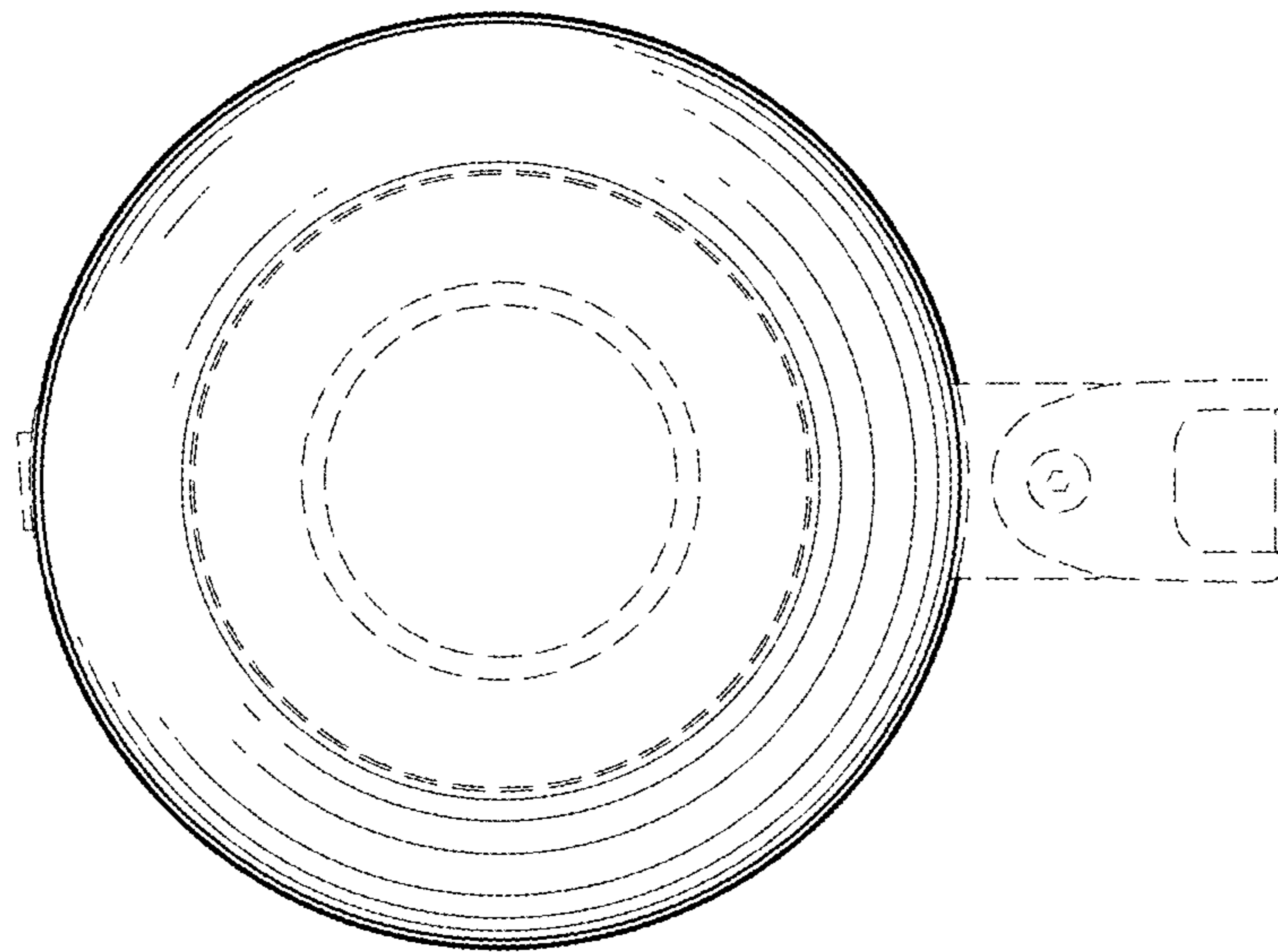


FIG. 15

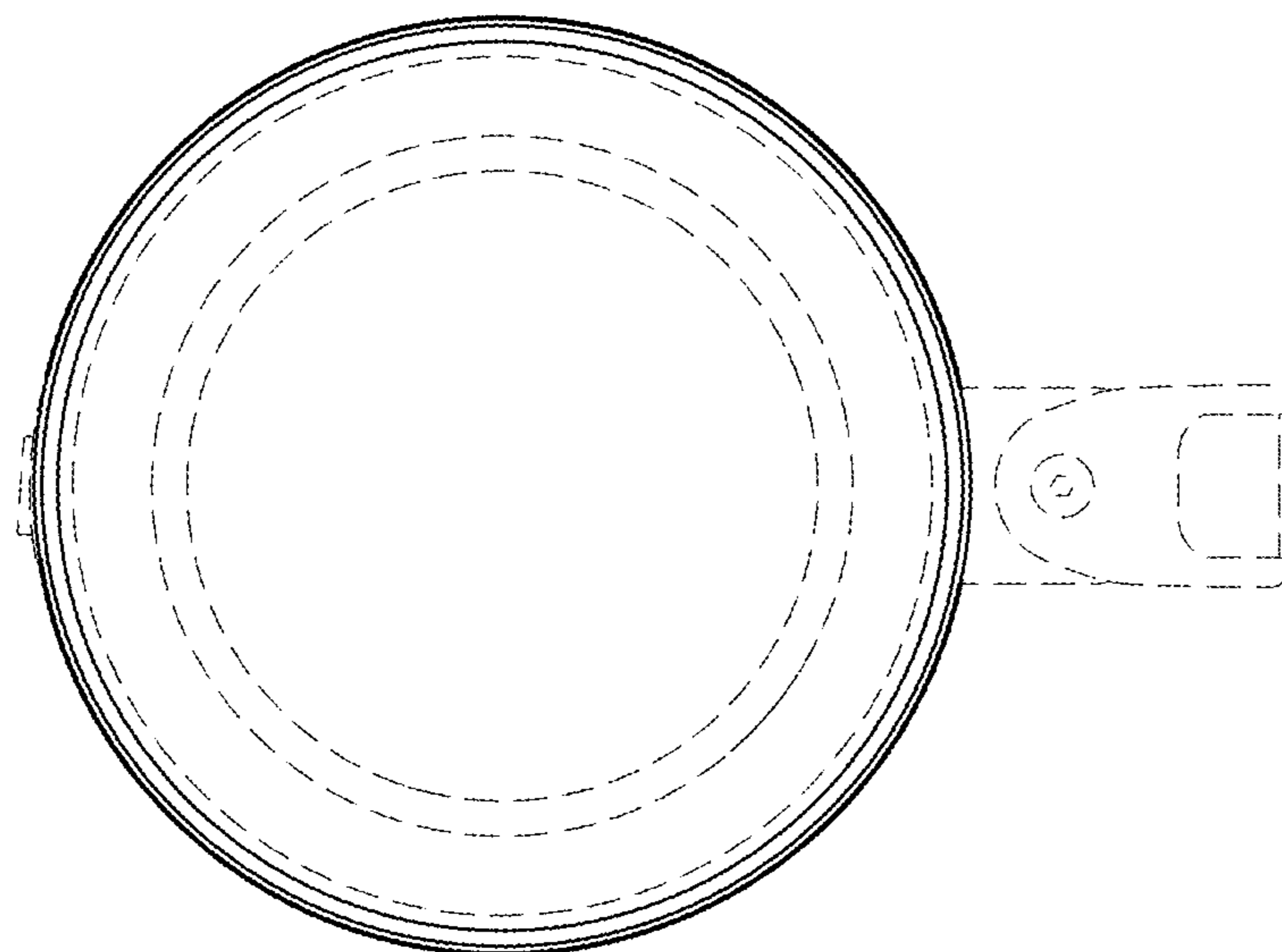


FIG. 16