



US00D946969S

(12) **United States Design Patent**
Lin

(10) **Patent No.:** **US D946,969 S**
(45) **Date of Patent:** **** Mar. 29, 2022**

(54) **WAFFLE MACHINE**

(71) Applicant: **SHENZHEN YUANRUI INFORMATION TECHNOLOGY CO., LTD.**, Guangdong (CN)

(72) Inventor: **Jinlong Lin**, Guangdong (CN)

(73) Assignee: **Shenzhen Yuanrui Information Technology Co., Ltd.**, Shenzhen (CN)

(**) Term: **15 Years**

(21) Appl. No.: **29/774,946**

(22) Filed: **Mar. 19, 2021**

(51) **LOC (13) Cl.** **07-02**

(52) **U.S. Cl.**
USPC **D7/410; D7/352; D7/362**

(58) **Field of Classification Search**
USPC D3/294; D7/323, 328–332, 337, 347, D7/351–364, 367, 378, 402, 409–411; D9/428
CPC . A21B 5/023; A47J 27/60; A47J 27/62; A47J 37/04; A47J 37/06; A47J 37/015; A47J 37/067; A47J 37/0605; A47J 37/0611; A47J 37/0623; A47J 37/0629; A47J 37/0676; A47J 2037/06; A47J 2037/0611; F24C 15/10; F24C 15/102; H05B 6/02; H05B 6/062

See application file for complete search history.

(56) **References Cited**

U.S. PATENT DOCUMENTS

D253,217 S 10/1979 Marsoobian
D253,218 S * 10/1979 Johnson D7/352
D671,354 S * 11/2012 Ou D7/351

D688,083 S * 8/2013 Crick D7/337
D714,091 S * 9/2014 Brandani D7/352
D715,093 S * 10/2014 Ren D7/364
D756,158 S * 5/2016 Krawiec D7/332
D762,082 S * 7/2016 Miceli D7/352
D795,059 S * 8/2017 Buck D9/428
D816,994 S * 5/2018 Fischer D3/294
D830,097 S * 10/2018 Takayama D7/352
D895,346 S * 9/2020 Chang D7/352
D914,427 S * 3/2021 Walker D7/328
2015/0164274 A1* 6/2015 Jinzhao A47J 37/015
99/372

OTHER PUBLICATIONS

Dash Mini Waffle Bowl Maker. Date First Available on Amazon.com Oct. 15, 2020. <https://www.amazon.com/dp/B08L86M8B2/ref> (Year: 2020).*

* cited by examiner

Primary Examiner — Ricky Pham

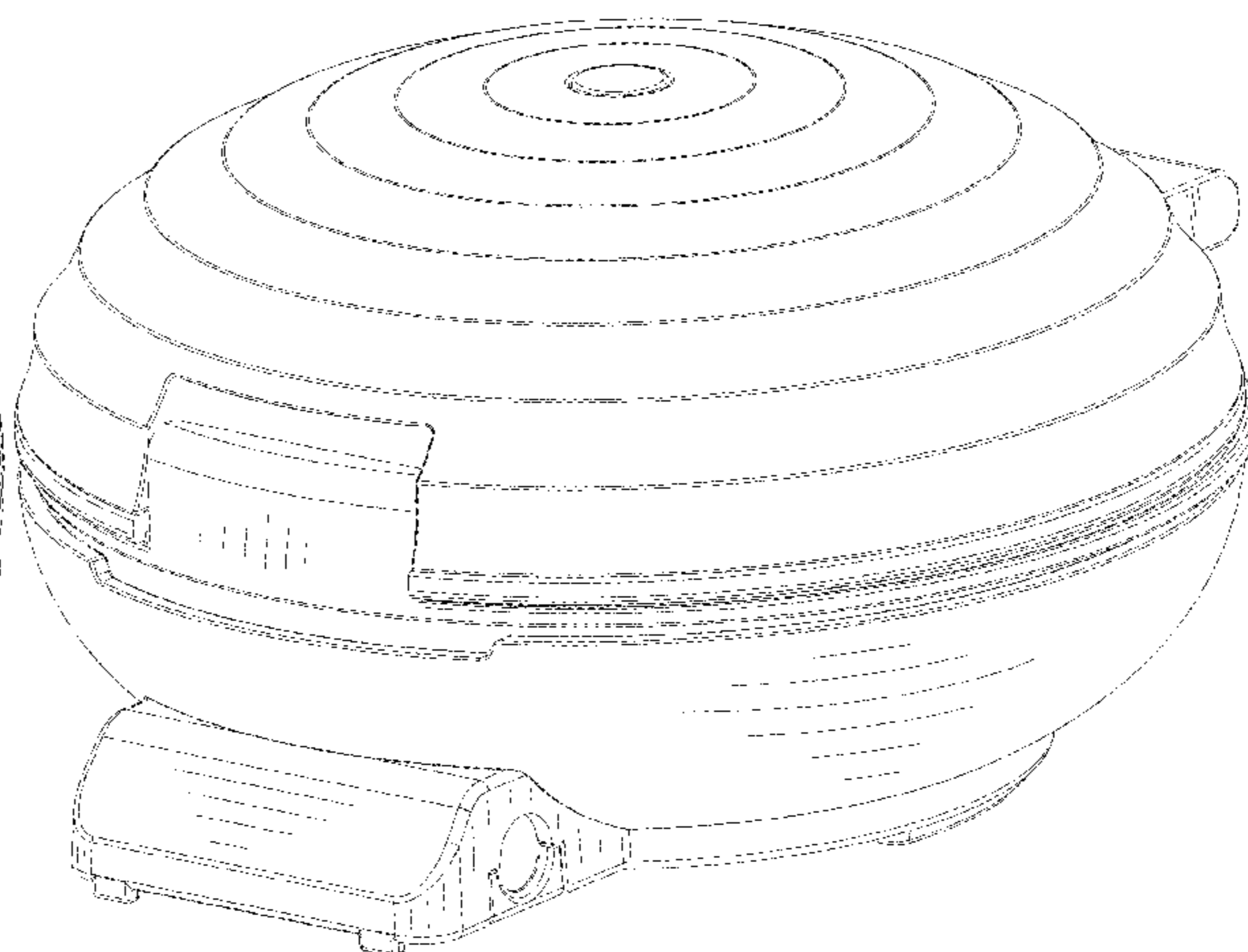
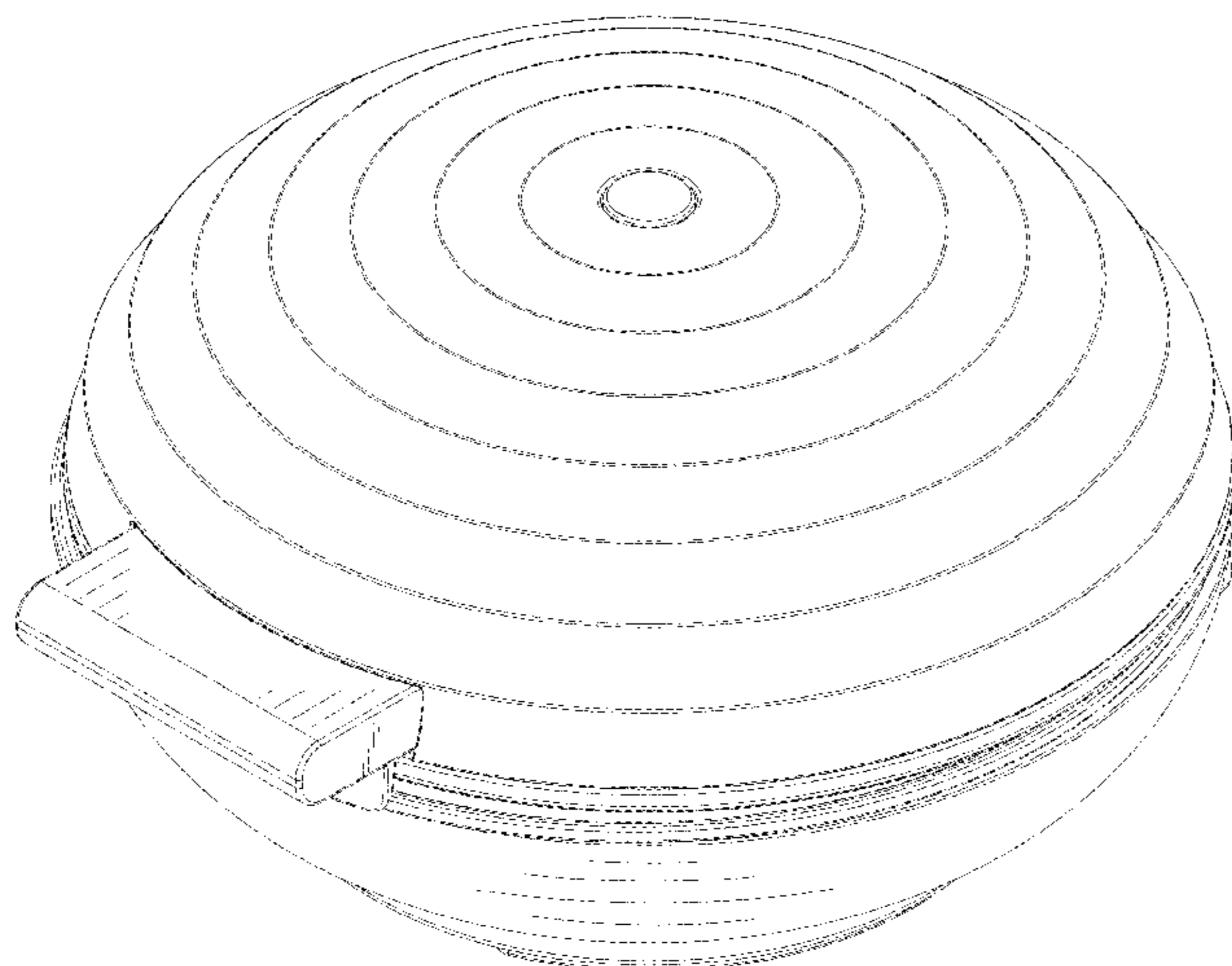
(57) **CLAIM**

The ornamental design for a waffle machine, as shown and described.

DESCRIPTION

FIG. 1 is a front, right and top view of a waffle machine showing my new design;
FIG. 2 is a rear, left and top view perspective view thereof;
FIG. 3 is a bottom, back and right perspective view thereof;
FIG. 4 is a front view thereof;
FIG. 5 is a rear view thereof;
FIG. 6 is a left view thereof;
FIG. 7 is a right view thereof;
FIG. 8 is a top view thereof; and,
FIG. 9 is a bottom view thereof.

1 Claim, 9 Drawing Sheets



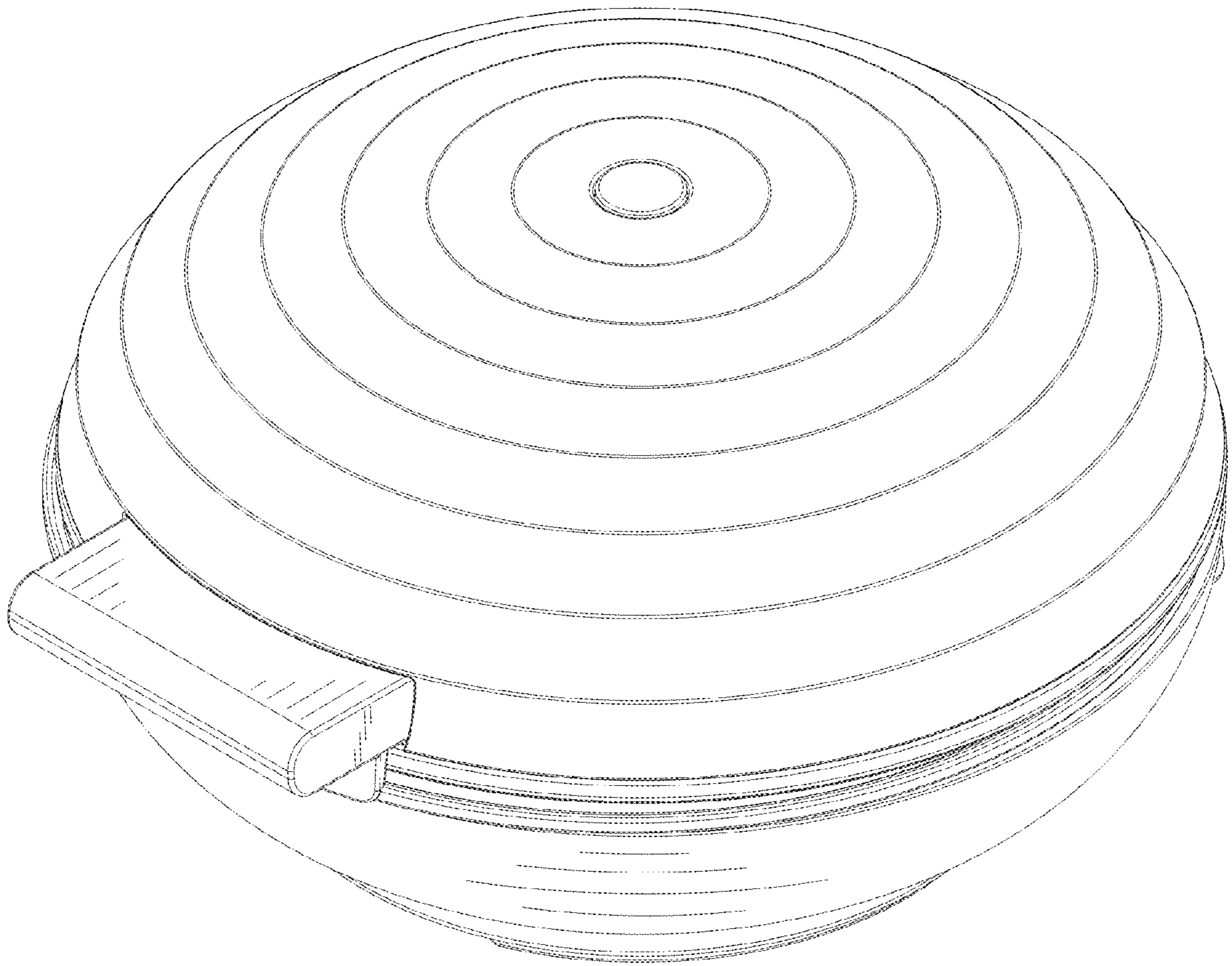


FIG. 1

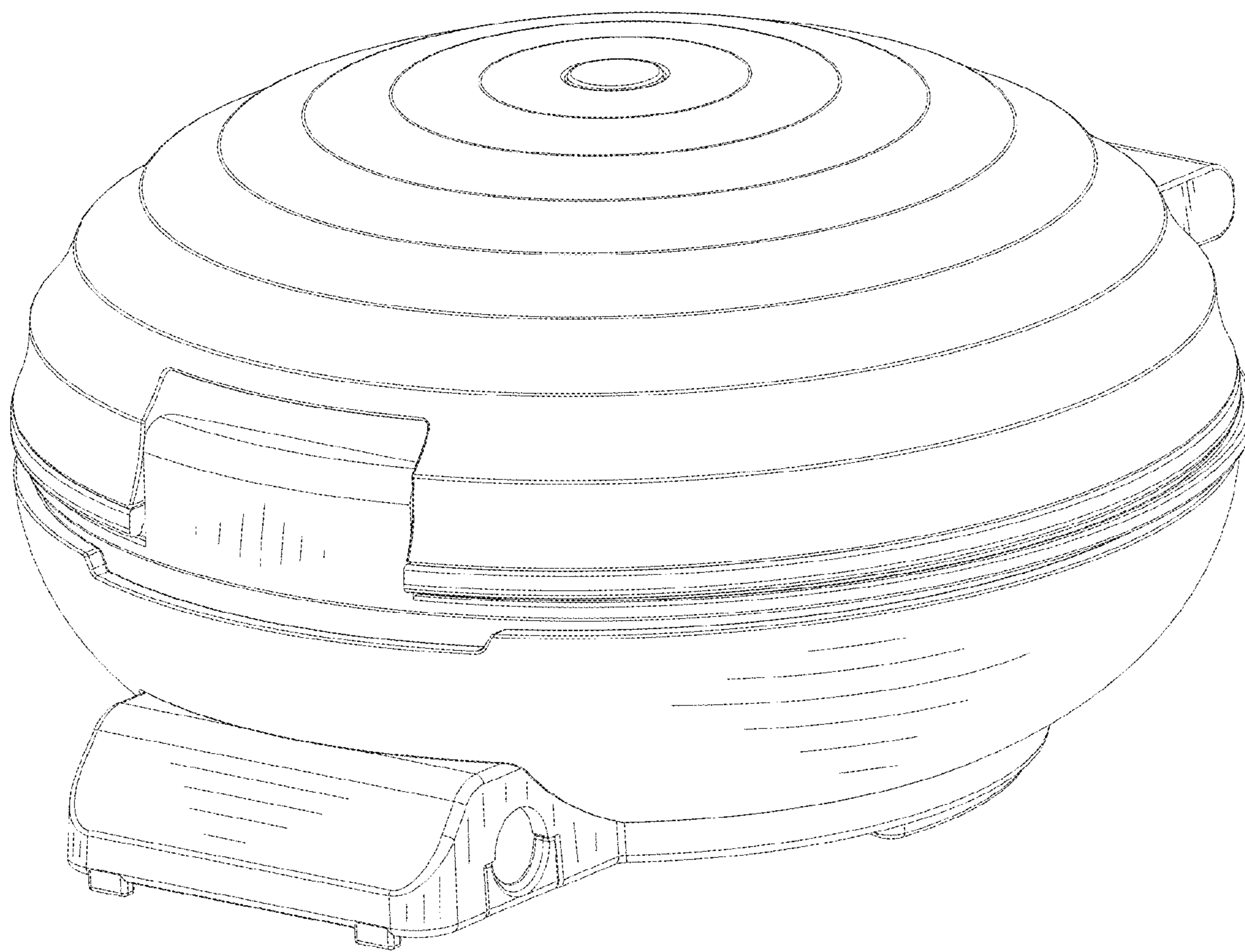


FIG. 2

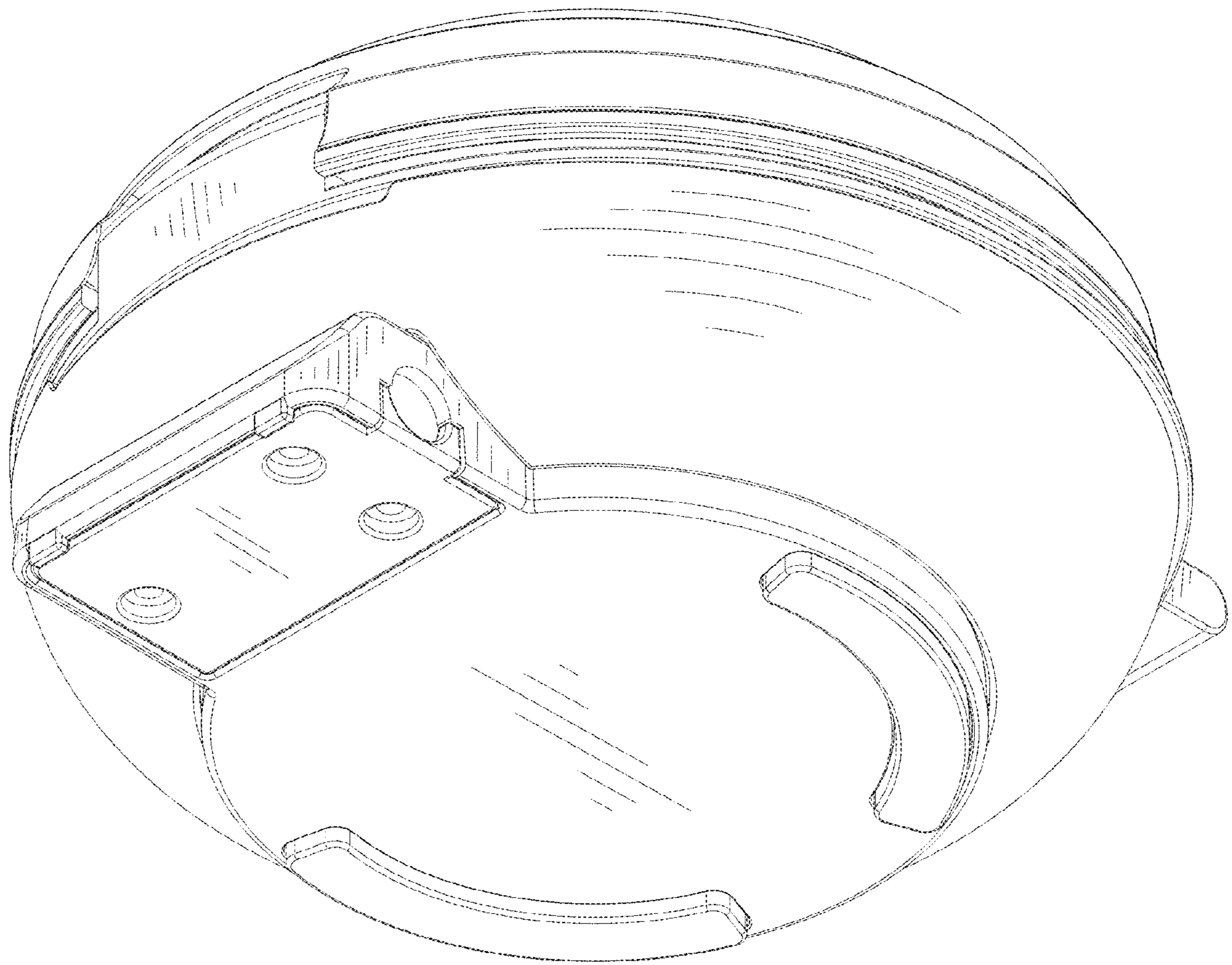


FIG. 3

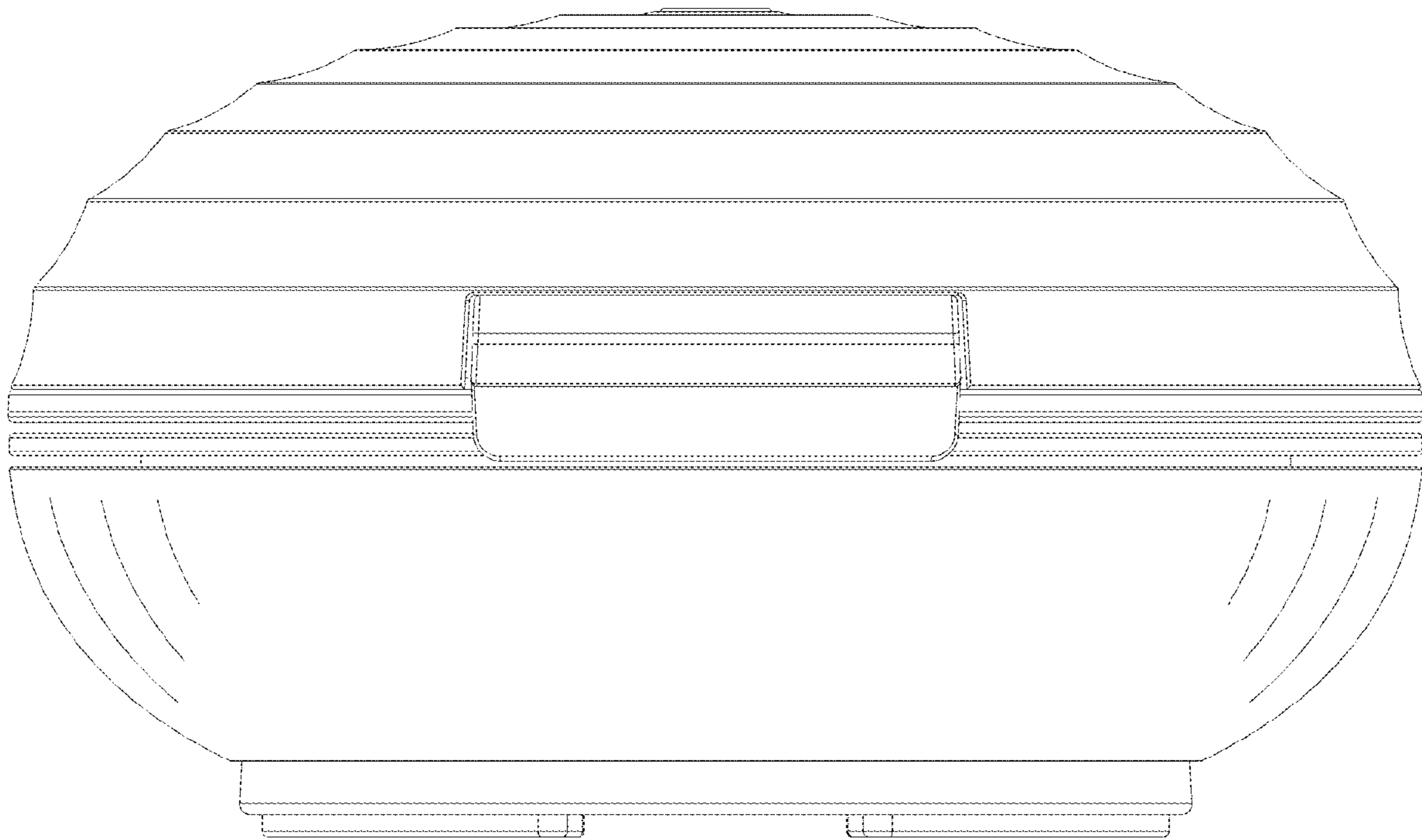


FIG. 4

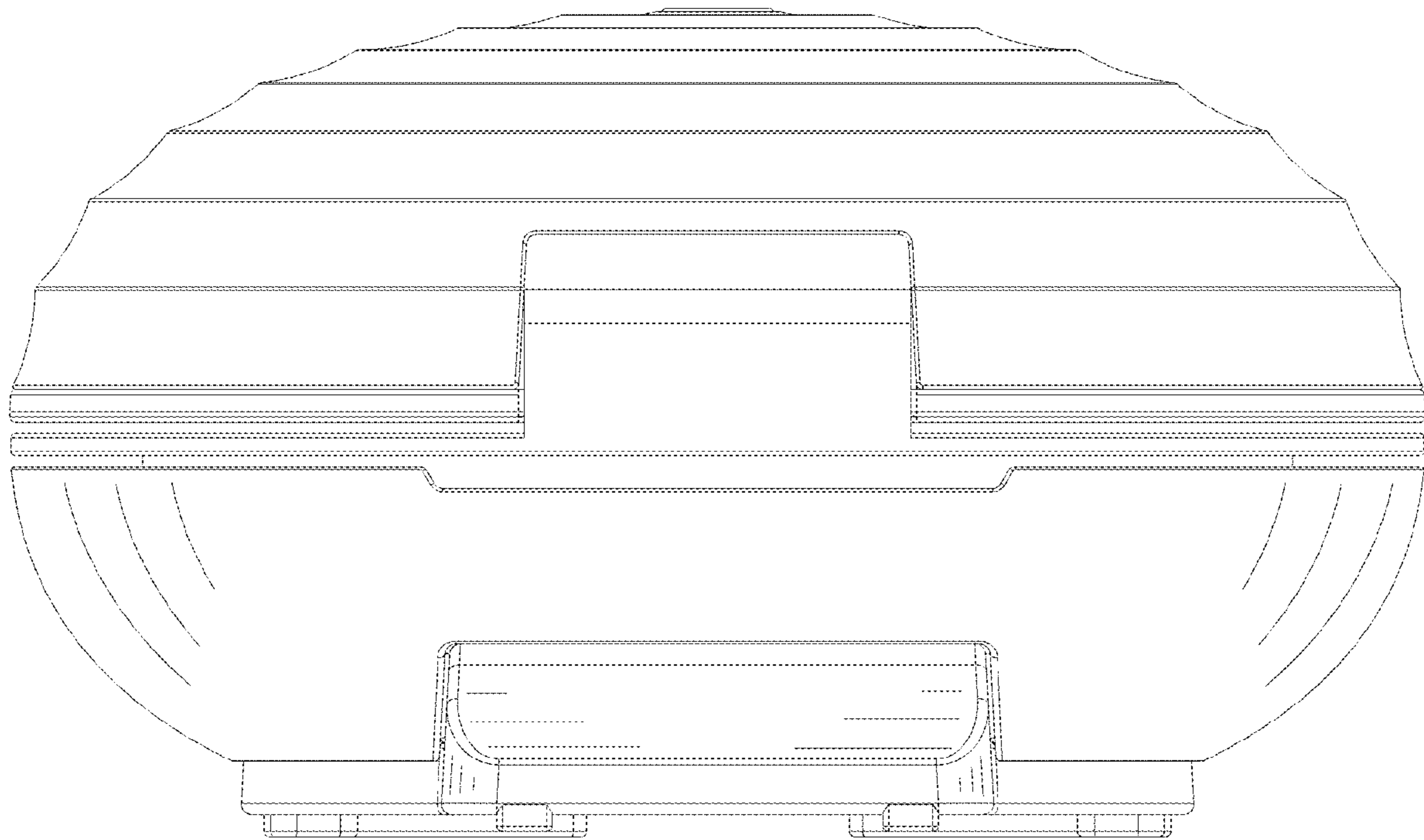


FIG. 5

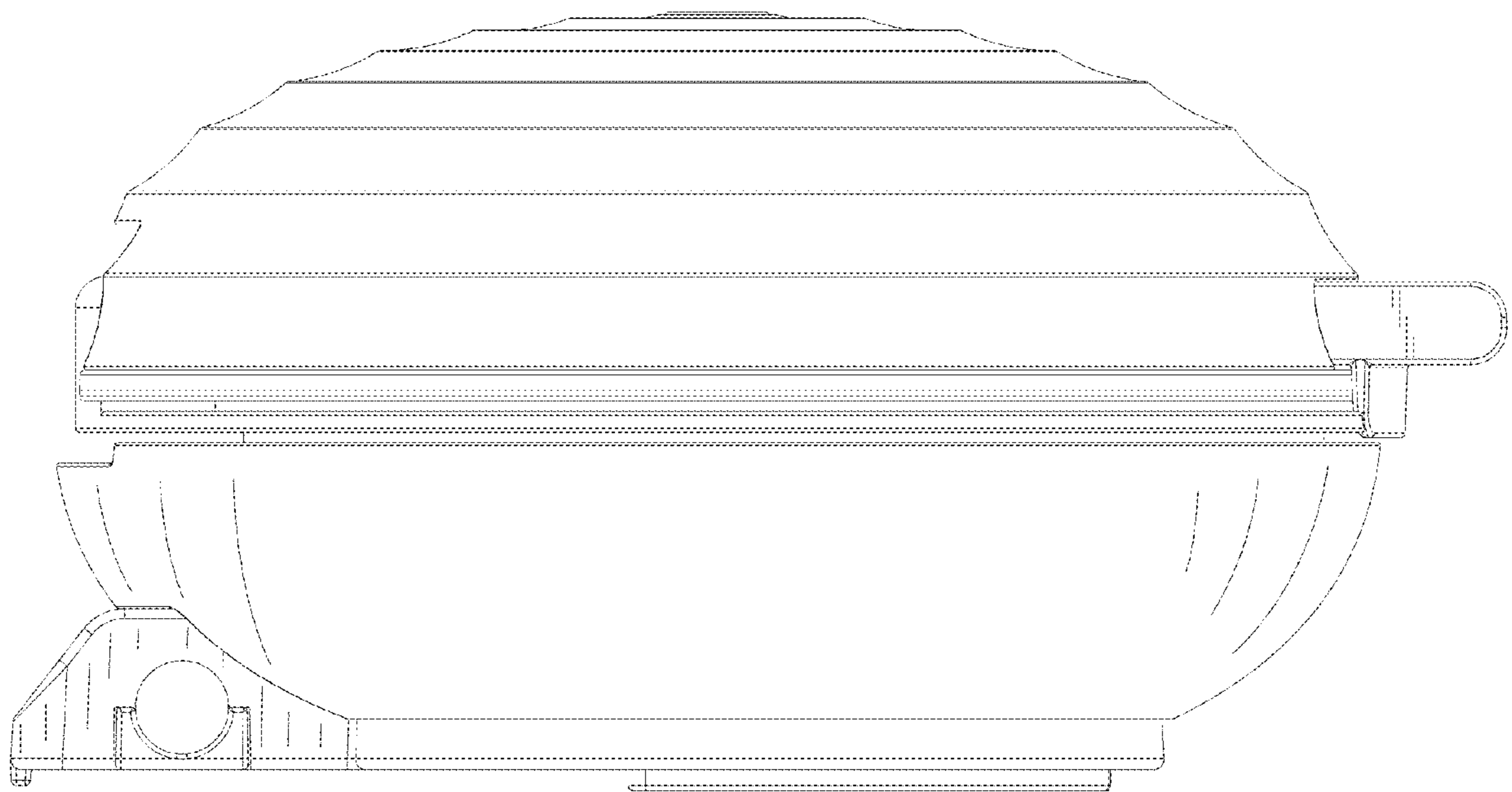


FIG. 6

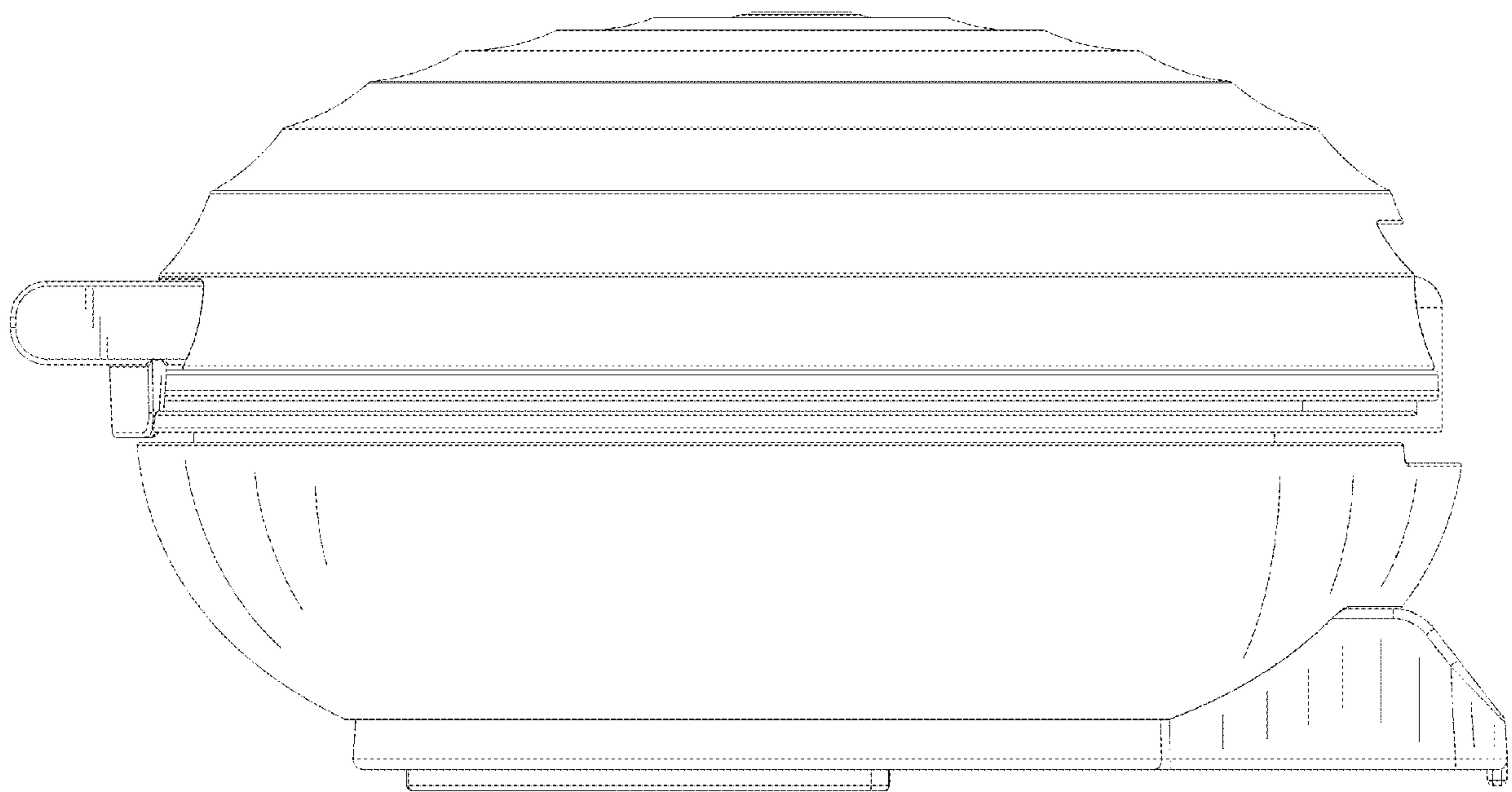


FIG. 7

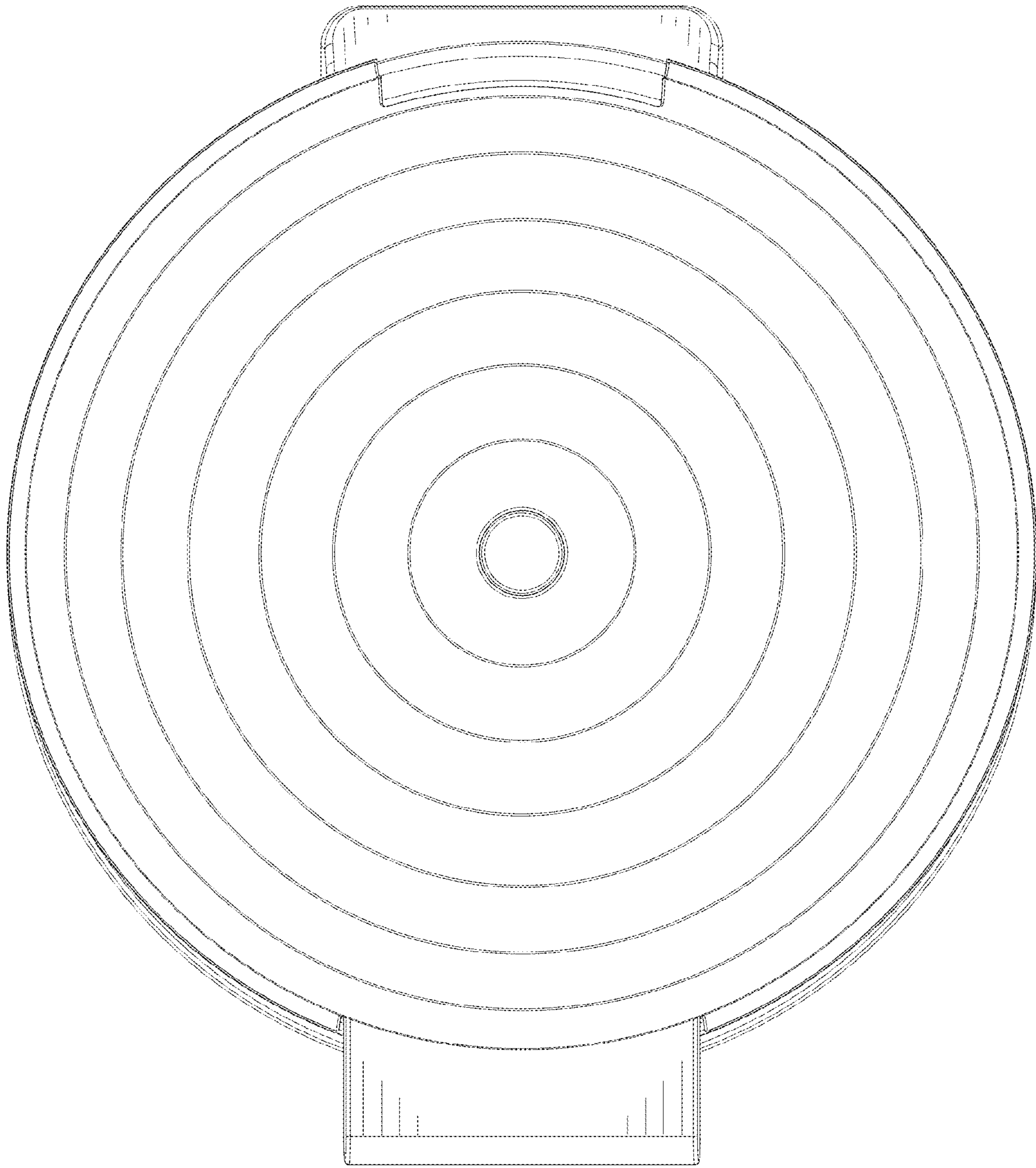


FIG. 8

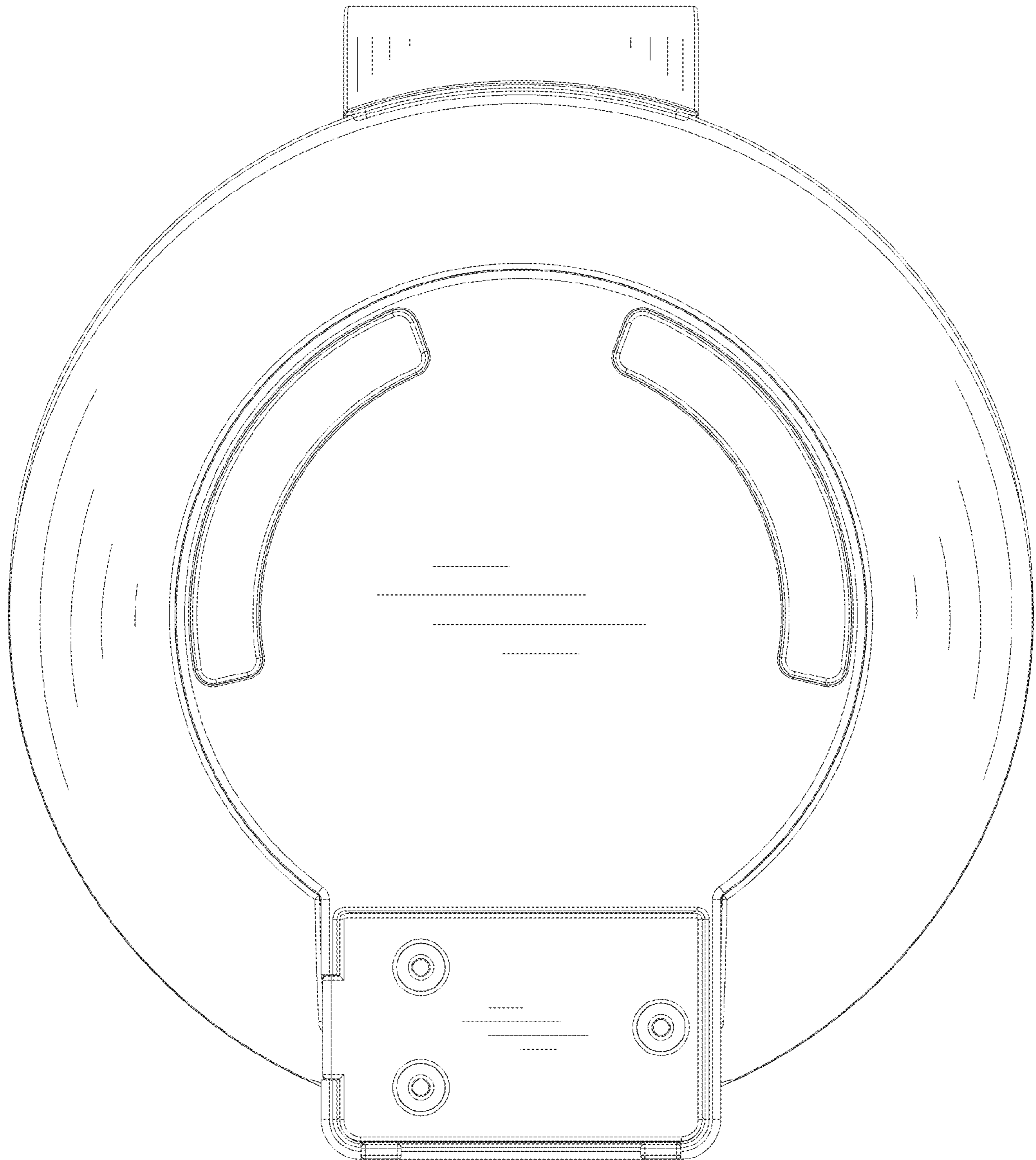


FIG. 9