



US00D946968S

(12) **United States Design Patent** (10) **Patent No.:** **US D946,968 S**
Lisiecki (45) **Date of Patent:** **** Mar. 29, 2022**

(54) **ELECTRIC FAUCET**

(71) Applicant: **Micro Matic USA, Inc**, Brooksville, FL (US)

(72) Inventor: **Joseph Lisiecki**, Spring Hill, FL (US)

(73) Assignee: **Micro Matic USA, Inc.**, Brooksville, FL (US)

(**) Term: **15 Years**

(21) Appl. No.: **29/731,941**

(22) Filed: **Apr. 20, 2020**

(51) **LOC (13) Cl.** **07-99**

(52) **U.S. Cl.**
USPC **D7/398**

(58) **Field of Classification Search**
USPC D3/207, 211; D7/213, 387, 391, 392.1, D7/393, 396.1, 396.2, 397, 398, 511, 701; D9/434, 435, 438, 439, 440, 441; D21/717, 718; D22/125, 130, 145, 146; D24/105, 106, 141, 194, 196; D30/160; D23/213, 226, 238, 245
CPC A01K 71/00; A01K 93/00; A01K 99/00; B65B 39/00; B65B 39/0064; B65B 39/12; B65B 39/0052; B65B 39/16; B65D 51/244; B65D 51/28; B65D 2203/12; A47J 31/40; A47J 43/046; B67D 1/1405; B67D 1/0888; B67D 2001/1483
See application file for complete search history.

(56) **References Cited**

U.S. PATENT DOCUMENTS

- D49,320 S * 7/1916 Nostrand D7/398
- RE15,707 E * 10/1923 Simonton A47J 31/40
99/294
- 1,618,363 A * 2/1927 Clark A47J 31/40
222/42
- D90,305 S * 7/1933 Binks D7/398
- D90,448 S * 8/1933 Muend D7/398

- D124,228 S * 12/1940 Cornelius D7/398
- D205,827 S * 9/1966 Plagenberg D7/398
- D270,991 S * 10/1983 Thiessen D7/398
- D271,368 S * 11/1983 Belland D7/398
- D280,880 S * 10/1985 Schweres D7/398
- D555,974 S * 11/2007 Miller D7/387
- D832,038 S * 10/2018 Lin D7/398
- D833,217 S * 11/2018 Lin D7/398
- D857,451 S * 8/2019 Alpmen D7/398

(Continued)

OTHER PUBLICATIONS

Magic H2O Dispenser/Carbonator: Announced [Feb. 27, 2016 [online]. Site Visited [Jun. 13, 2021], Available from Internet URL: <https://www.micromatic.com/water-dispensing-kits/magic-h2o-dispenser-carbonator-remote-installation-h2o-ucm-m-kit>.*

(Continued)

Primary Examiner — Catherine S Posthauer
(74) *Attorney, Agent, or Firm* — Burr & Forman LLP;
Ryan M. Corbett

(57) **CLAIM**

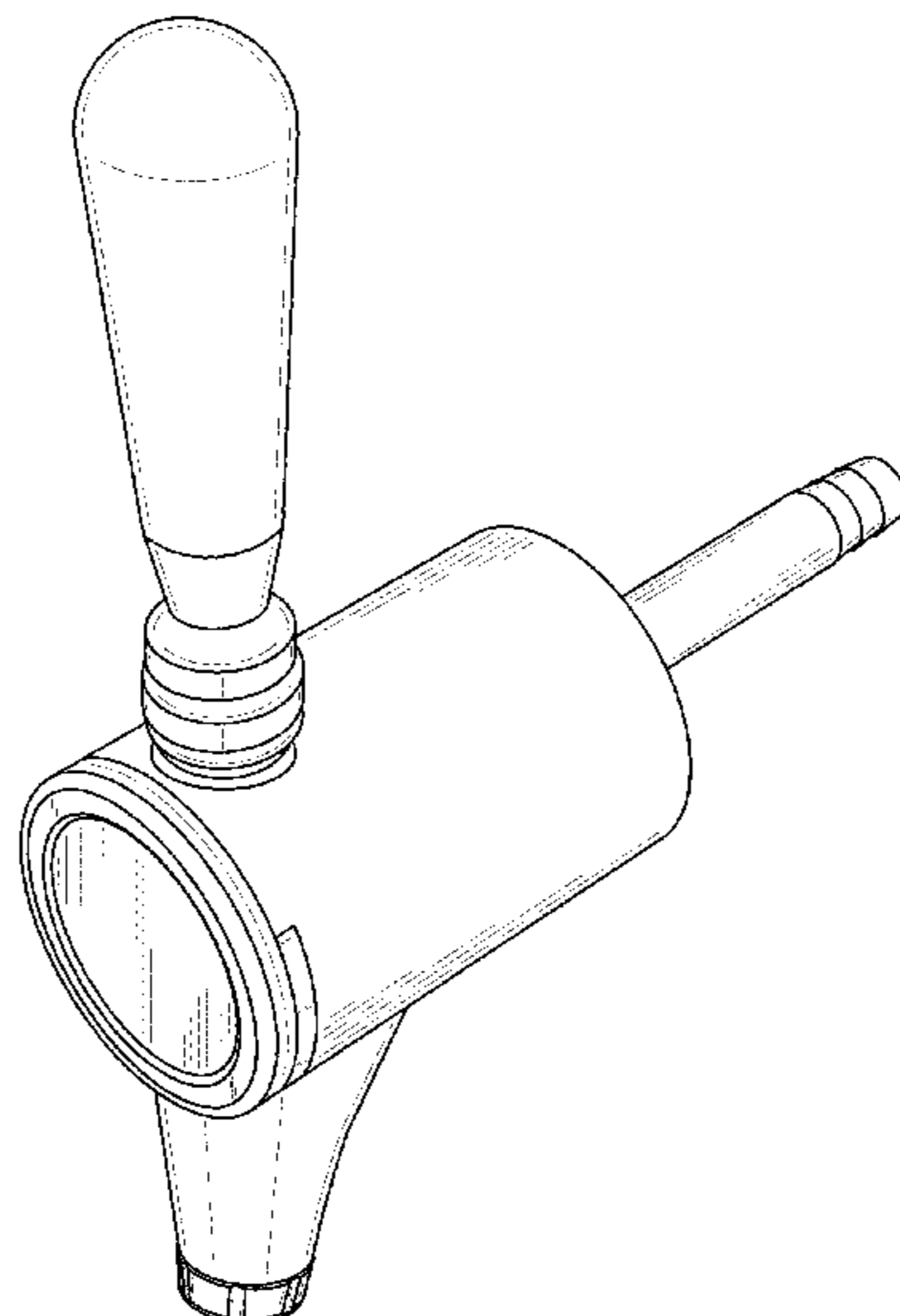
The ornamental design for an electric faucet, as shown and described.

DESCRIPTION

FIG. 1 is a front perspective view of an electric faucet showing my new design;
FIG. 2 is a front view thereof;
FIG. 3 is a rear view thereof;
FIG. 4 is a left side view thereof;
FIG. 5 is a right side view thereof;
FIG. 6 is a top view thereof; and,
FIG. 7 is a bottom view thereof.

The evenly broken lines represent parts of the article that form no part of the claimed design. The dot-dash lines represent the boundaries of the claim and form no part thereof.

1 Claim, 7 Drawing Sheets



(56)

References Cited

U.S. PATENT DOCUMENTS

10,752,489 B1 * 8/2020 Alger B67D 1/0841
D907,177 S * 1/2021 Maibach, Jr. D23/213
D912,779 S * 3/2021 Tanghetti D23/238
2004/0251444 A1 * 12/2004 Levey F16K 31/445
251/231

OTHER PUBLICATIONS

CM Becker Stainless Steel Compact Forward Sealing Creamer Beer
Faucet: Announced Jan. 13, 2019 [online]. Site visited [Dec. 2,
2021]. Available from Internet URL: <https://www.ontariobeerkegs.com/cmb-fwd-seal-com-ss-faucet.html>.*

* cited by examiner

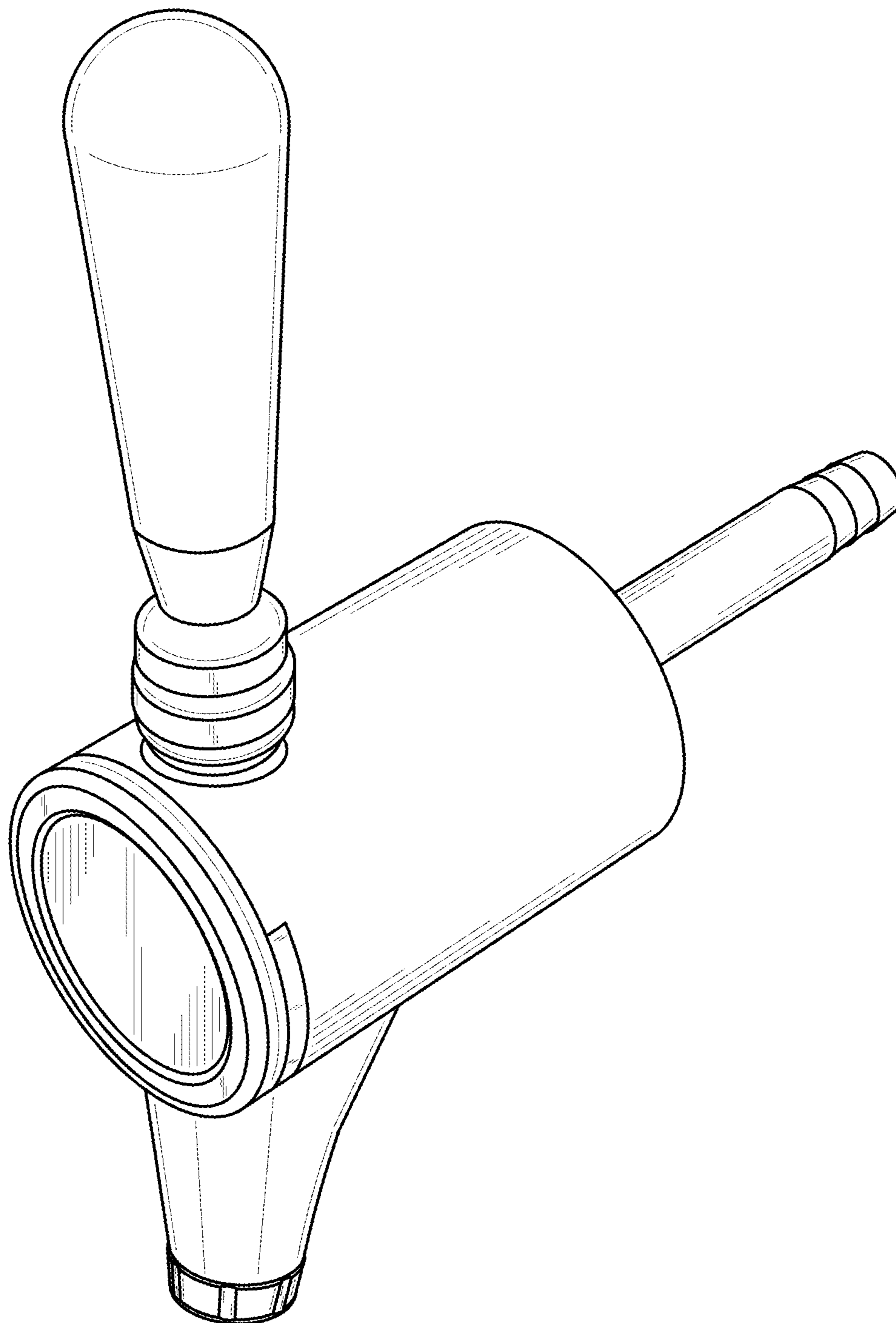


FIG. 1

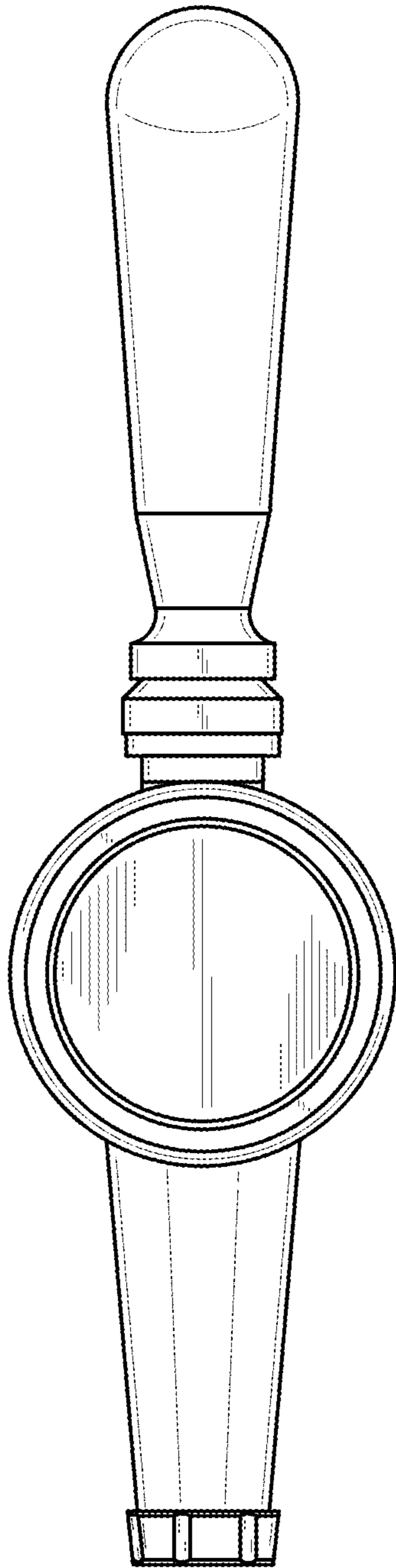


FIG. 2

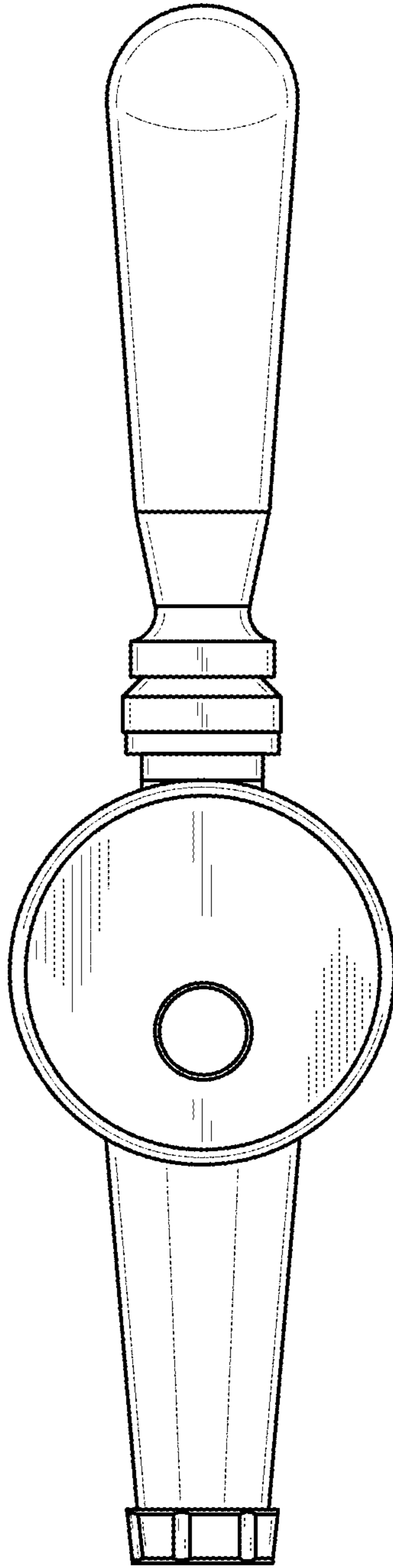


FIG. 3

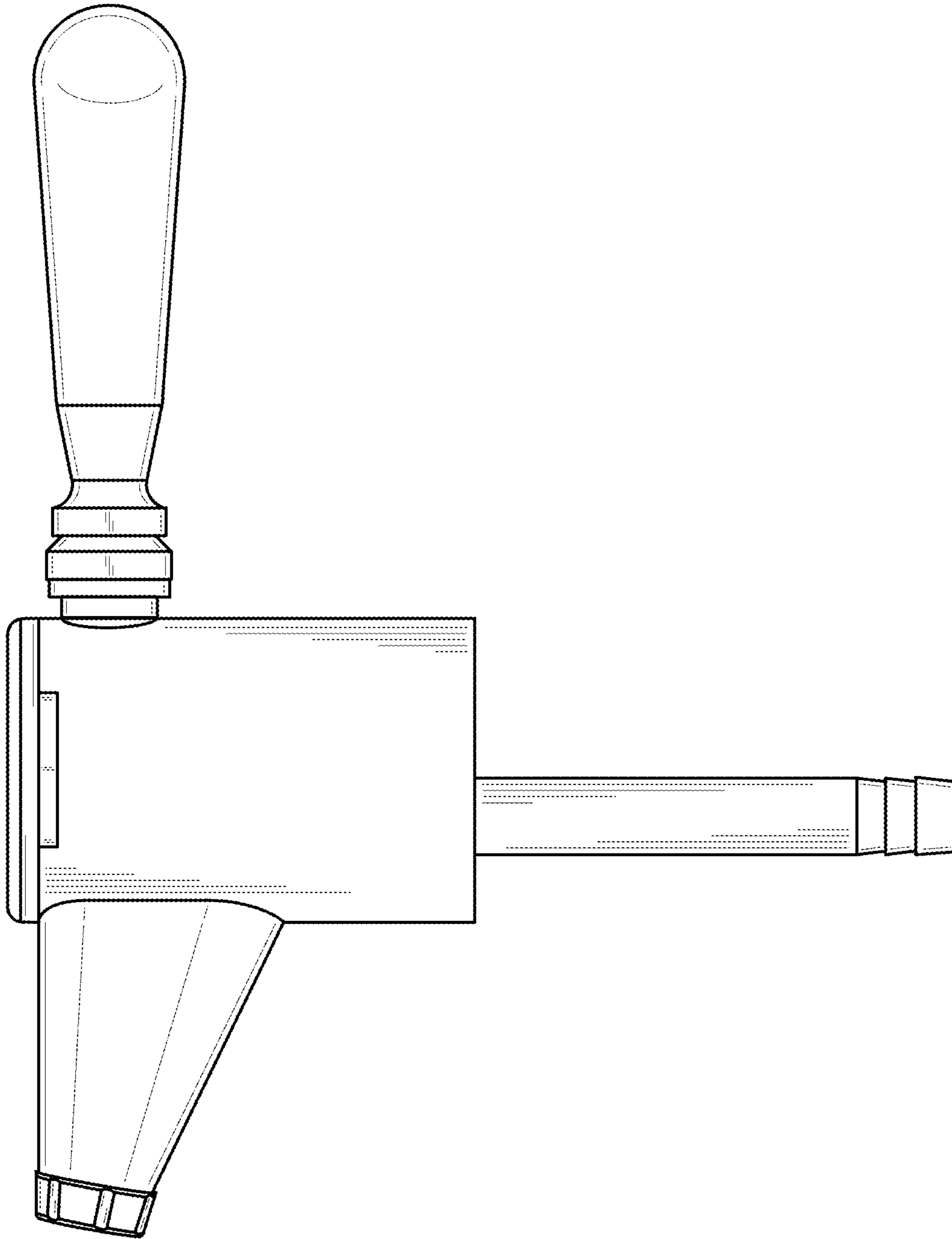


FIG. 4

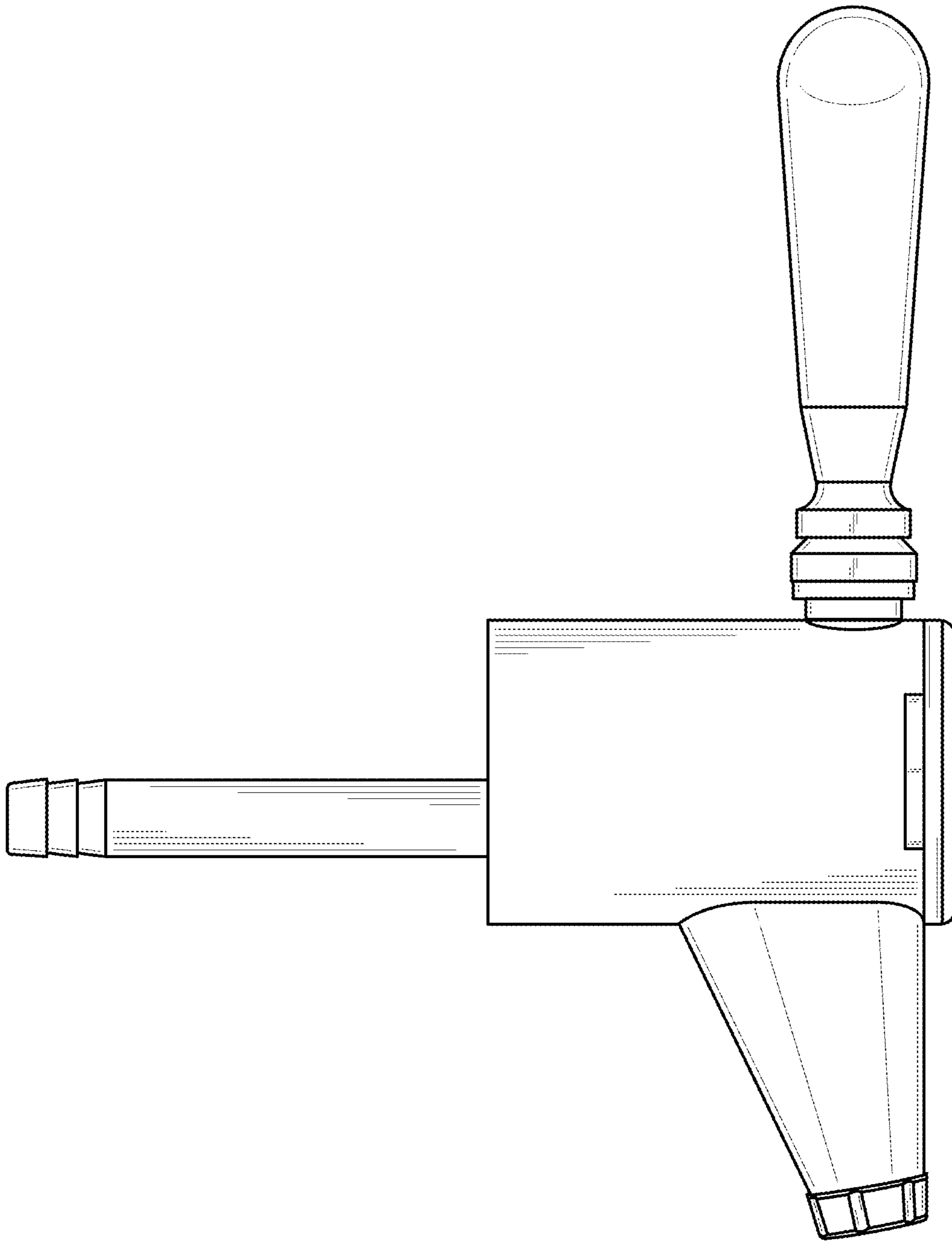


FIG. 5

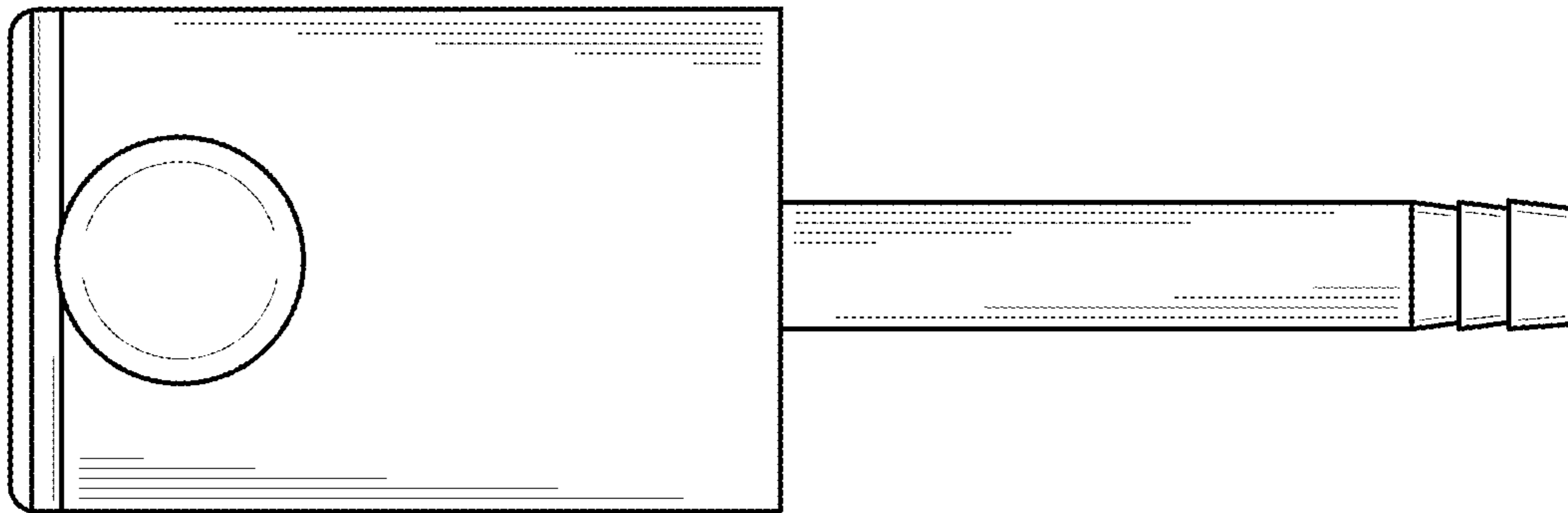


FIG. 6

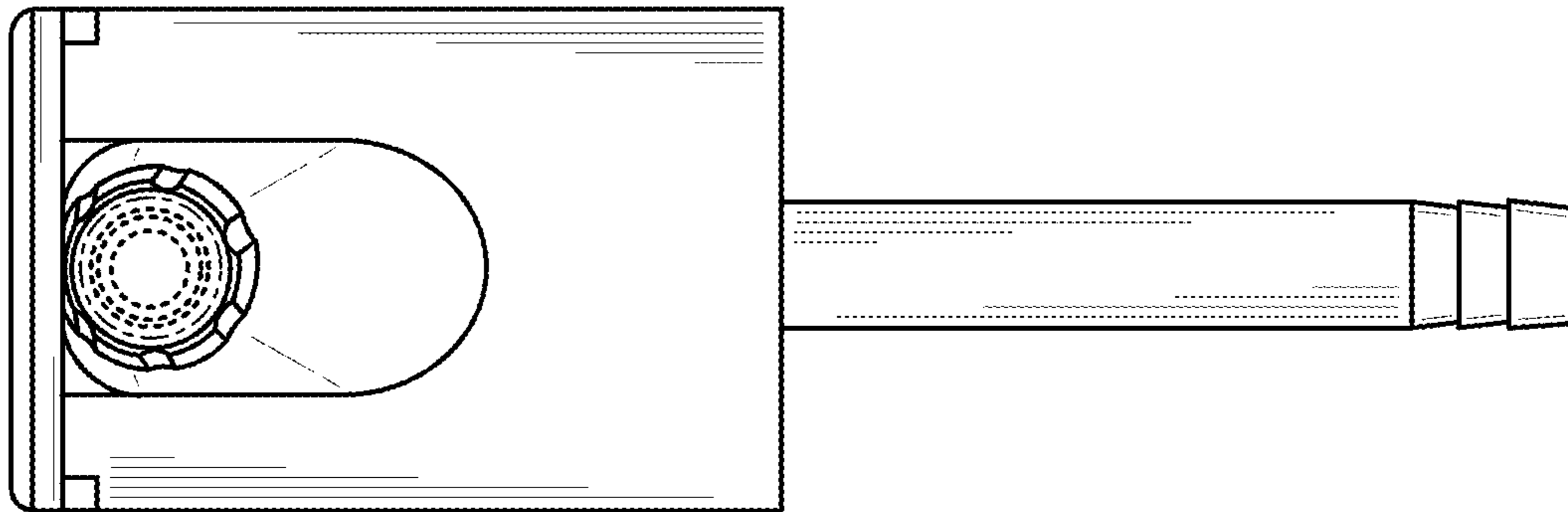


FIG. 7