



US00D946965S

(12) **United States Design Patent**  
**Sapire et al.**

(10) **Patent No.:** **US D946,965 S**

(45) **Date of Patent:** **\*\* Mar. 29, 2022**

(54) **LID**

(71) Applicant: **Beast Health, LLC**, Pacific Palisades, CA (US)

(72) Inventors: **Colin Sapire**, Pacific Palisades, CA (US); **Gregory S. Thune**, Los Angeles, CA (US); **Benjamin Bangser**, Los Angeles, CA (US)

(73) Assignee: **BEAST HEALTH, LLC**, Pacific Palisades, CA (US)

(\*\*) Term: **15 Years**

(21) Appl. No.: **29/745,848**

(22) Filed: **Aug. 10, 2020**

(51) **LOC (13) Cl.** ..... **09-07**

(52) **U.S. Cl.**  
USPC ..... **D7/392.1; D9/443; D7/396.2**

(58) **Field of Classification Search**  
USPC ..... D9/439, 440, 442-449, 682, 685, 686, D9/435, 450, 454; D6/515; D7/507, D7/509-511, 523, 391, 392, 392.1, 396.2, D7/605, 608, 900  
CPC .... B65D 83/205; B65D 83/206; B65D 83/40; B65D 2543/00046; A47G 19/2272  
See application file for complete search history.

(56) **References Cited**

**U.S. PATENT DOCUMENTS**

D331,653 S *	12/1992	Stone	.....	D9/447
D354,915 S *	1/1995	Schneider	.....	D9/454
D591,603 S *	5/2009	Robin-Prevallee	.....	D9/454
D620,357 S *	7/2010	Jewett	.....	D9/443
D620,358 S *	7/2010	Jewett	.....	D9/454
D672,238 S *	12/2012	Aziz	.....	D9/443
D674,146 S *	1/2013	Bae	.....	D9/504
D724,385 S *	3/2015	Hurley	.....	D7/511
D774,363 S *	12/2016	Seiders	.....	D7/608

D781,662 S *	3/2017	Seiders	.....	D7/608
D782,881 S *	4/2017	Seiders	.....	D7/608
D783,367 S *	4/2017	Seiders	.....	D7/608
D783,368 S *	4/2017	Seiders	.....	D7/608
D784,775 S *	4/2017	Seiders	.....	D7/608
D788,544 S *	6/2017	Seiders	.....	D7/608
D799,906 S *	10/2017	Seiders	.....	D7/608
D799,908 S *	10/2017	Seiders	.....	D7/608
D803,632 S *	11/2017	Seiders	.....	D7/608
D804,255 S *	12/2017	Seiders	.....	D7/608
D804,256 S *	12/2017	Seiders	.....	D7/608
D807,125 S *	1/2018	Seiders	.....	D7/608
D807,126 S *	1/2018	Seiders	.....	D7/608
D809,920 S *	2/2018	Maple	.....	D7/396.2

(Continued)

*Primary Examiner* — Brett Miller

*Assistant Examiner* — Rani J Abdallah

(74) *Attorney, Agent, or Firm* — Alston & Bird LLP

(57) **CLAIM**

The ornamental design for a lid, as shown and described.

**DESCRIPTION**

FIG. 1 is a top front perspective view of a lid according to the present design.

FIG. 2 is a bottom rear perspective view of the lid of FIG. 1.

FIG. 3 is a front view the lid of FIG. 1.

FIG. 4 is a back view of the lid of FIG. 1.

FIG. 5 is a left side view of the lid of FIG. 1.

FIG. 6 is a right side view of the lid of FIG. 1.

FIG. 7 is a top view of the lid of FIG. 1.

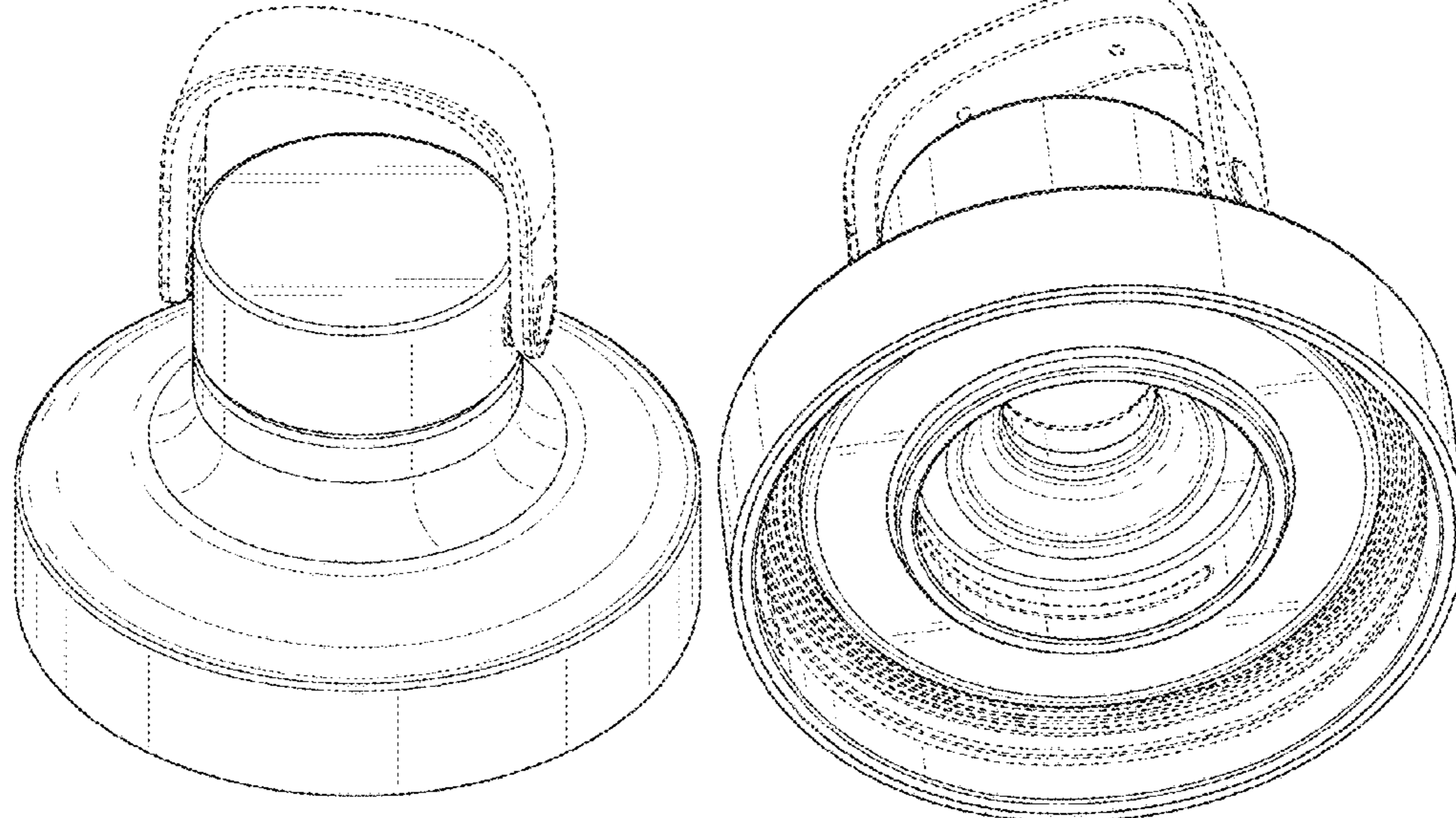
FIG. 8 is a bottom view of the lid of FIG. 1.

FIG. 9 is a bottom rear perspective view of the lid of FIG. 1, with sub-lids separated; and,

FIG. 10 is a front view of the lid of FIG. 1, with sub-lids separated.

The broken are directed to unclaimed features of the lid and form no part of the claimed design.

**1 Claim, 10 Drawing Sheets**



(56)

## References Cited

## U.S. PATENT DOCUMENTS

D813,668 S \* 3/2018 Miller ..... D9/446  
D819,410 S \* 6/2018 Seiders ..... D7/608  
D820,650 S \* 6/2018 Seiders ..... D7/608  
D857,446 S \* 8/2019 Bell ..... D7/392.1  
D857,456 S \* 8/2019 Bell ..... D7/511  
D865,448 S \* 11/2019 Jacobsen ..... D7/511  
D865,449 S \* 11/2019 Jacobsen ..... D7/511  
D865,450 S \* 11/2019 Jacobsen ..... D7/511  
D866,258 S \* 11/2019 Jacobsen ..... D7/511  
D866,259 S \* 11/2019 Jacobsen ..... D7/511  
D866,260 S \* 11/2019 Jacobsen ..... D7/511  
D866,261 S \* 11/2019 Jacobsen ..... D7/511  
D867,067 S \* 11/2019 Jacobsen ..... D7/511  
D867,068 S \* 11/2019 Jacobsen ..... D7/511  
D867,820 S \* 11/2019 Jacobsen ..... D7/511  
D868,537 S \* 12/2019 Jacobsen ..... D7/511  
D868,538 S \* 12/2019 Jacobsen ..... D7/511  
D872,542 S \* 1/2020 Seiders ..... D7/608  
D875,479 S \* 2/2020 Seiders ..... D7/608  
D878,868 S \* 3/2020 Pisarevsky ..... D7/511  
D881,649 S \* 4/2020 Fleischhut ..... D7/510  
D885,823 S \* 6/2020 Ayres ..... D7/392  
D885,836 S \* 6/2020 Wang ..... D7/510  
D889,913 S \* 7/2020 Seiders ..... D7/608  
D897,849 S \* 10/2020 Hawry ..... D9/503  
D899,870 S \* 10/2020 Seiders ..... D7/608  
D908,433 S \* 1/2021 Sapire ..... D7/511  
D917,231 S \* 4/2021 Wang ..... D7/510  
D922,139 S \* 6/2021 Lane ..... D7/396.2  
D922,152 S \* 6/2021 Seiders ..... D7/608  
D923,406 S \* 6/2021 Tsigounis ..... D7/507  
2016/0318693 A1 \* 11/2016 Hein ..... B65D 51/242  
2020/0138212 A1 \* 5/2020 Nishijima ..... B65D 47/2018

\* cited by examiner

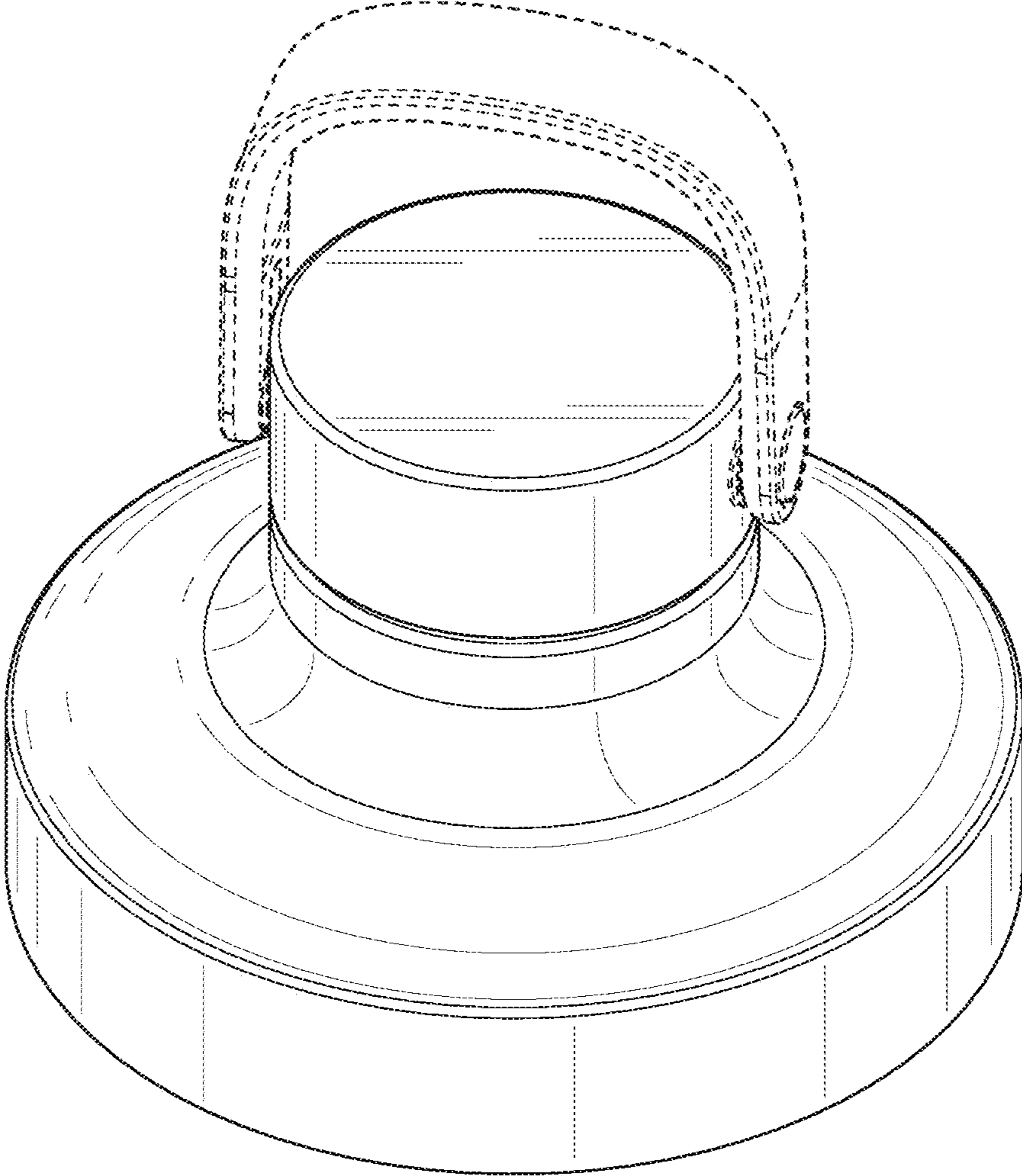


FIG. 1

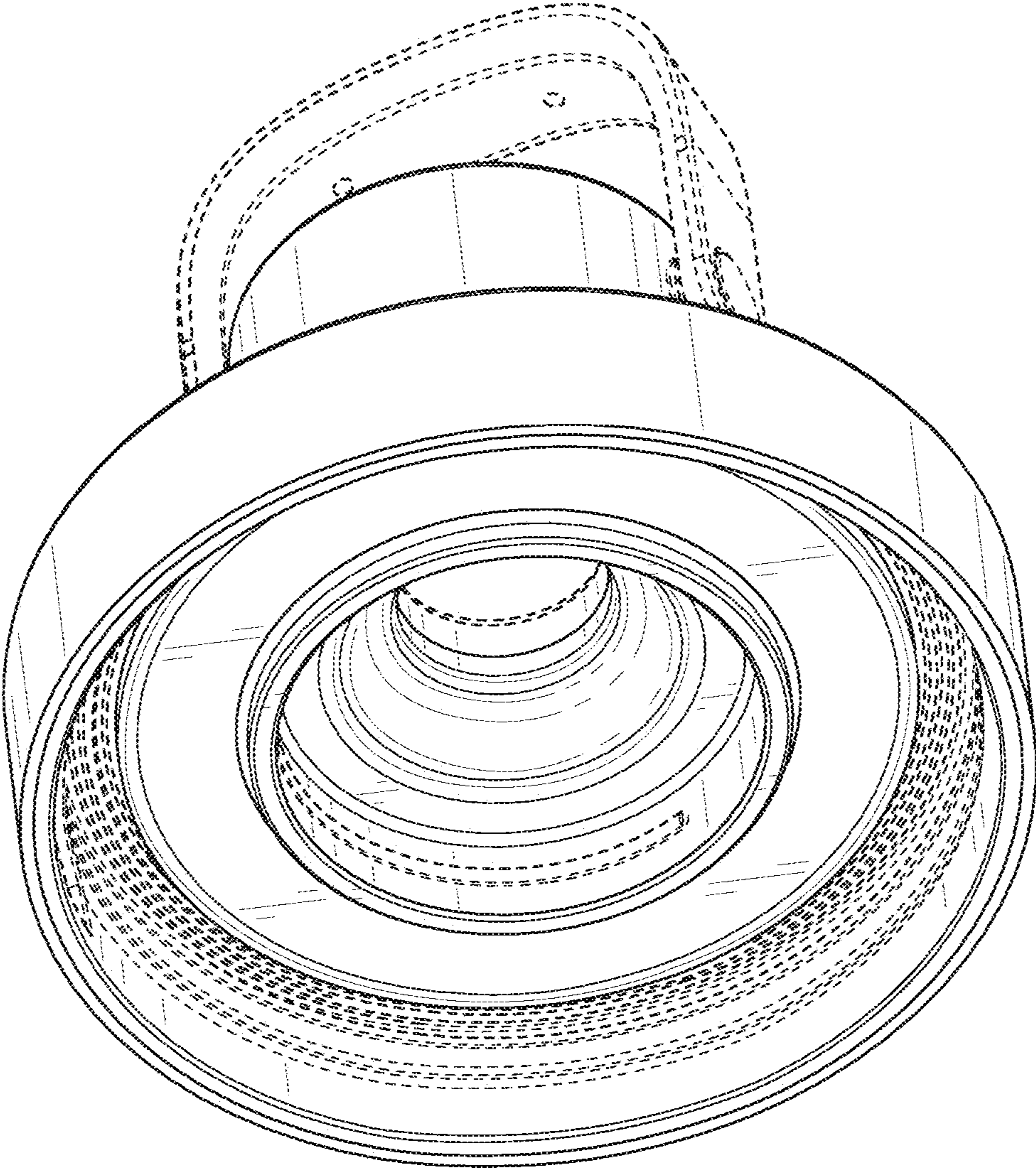


FIG. 2

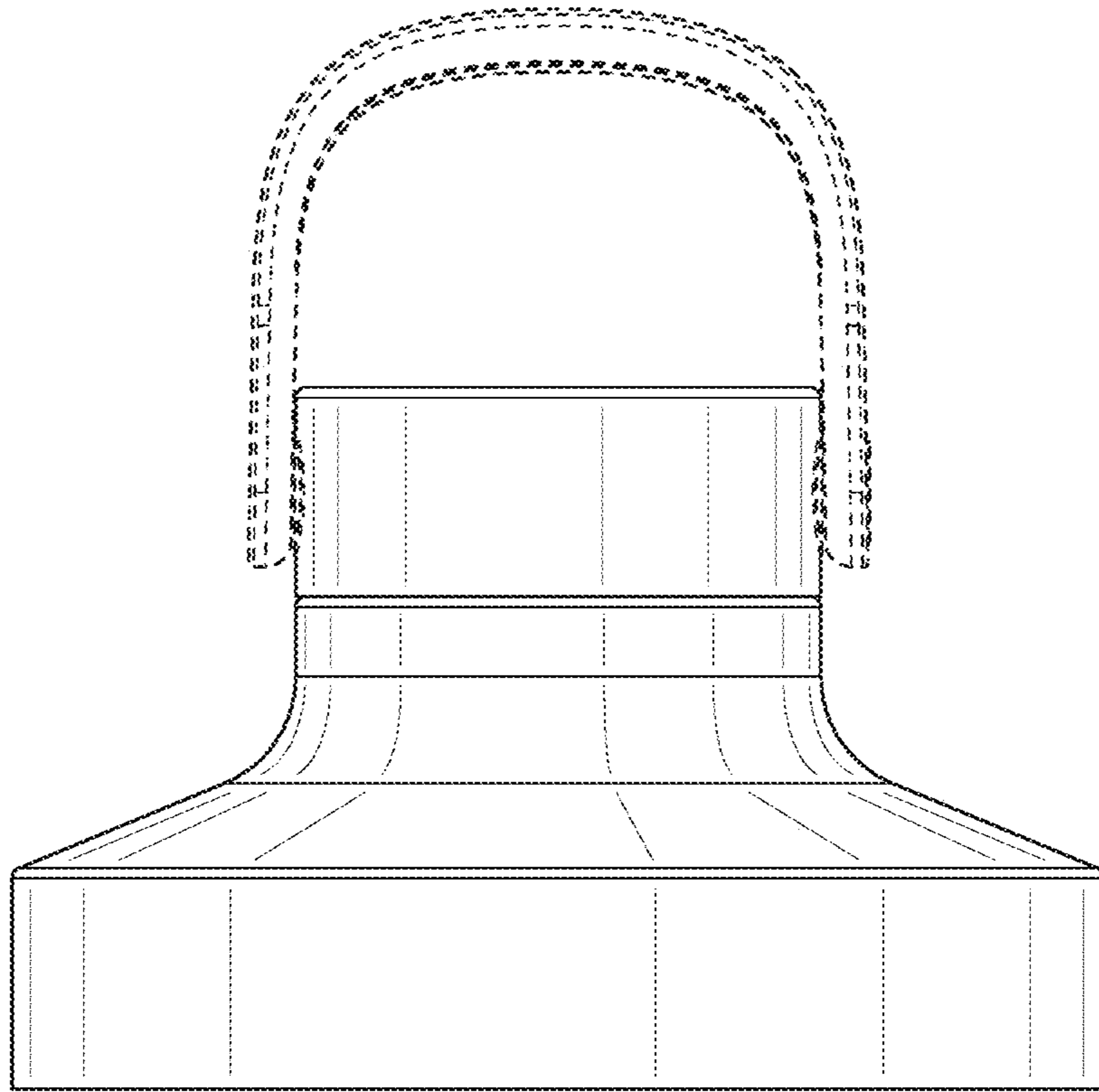


FIG. 3

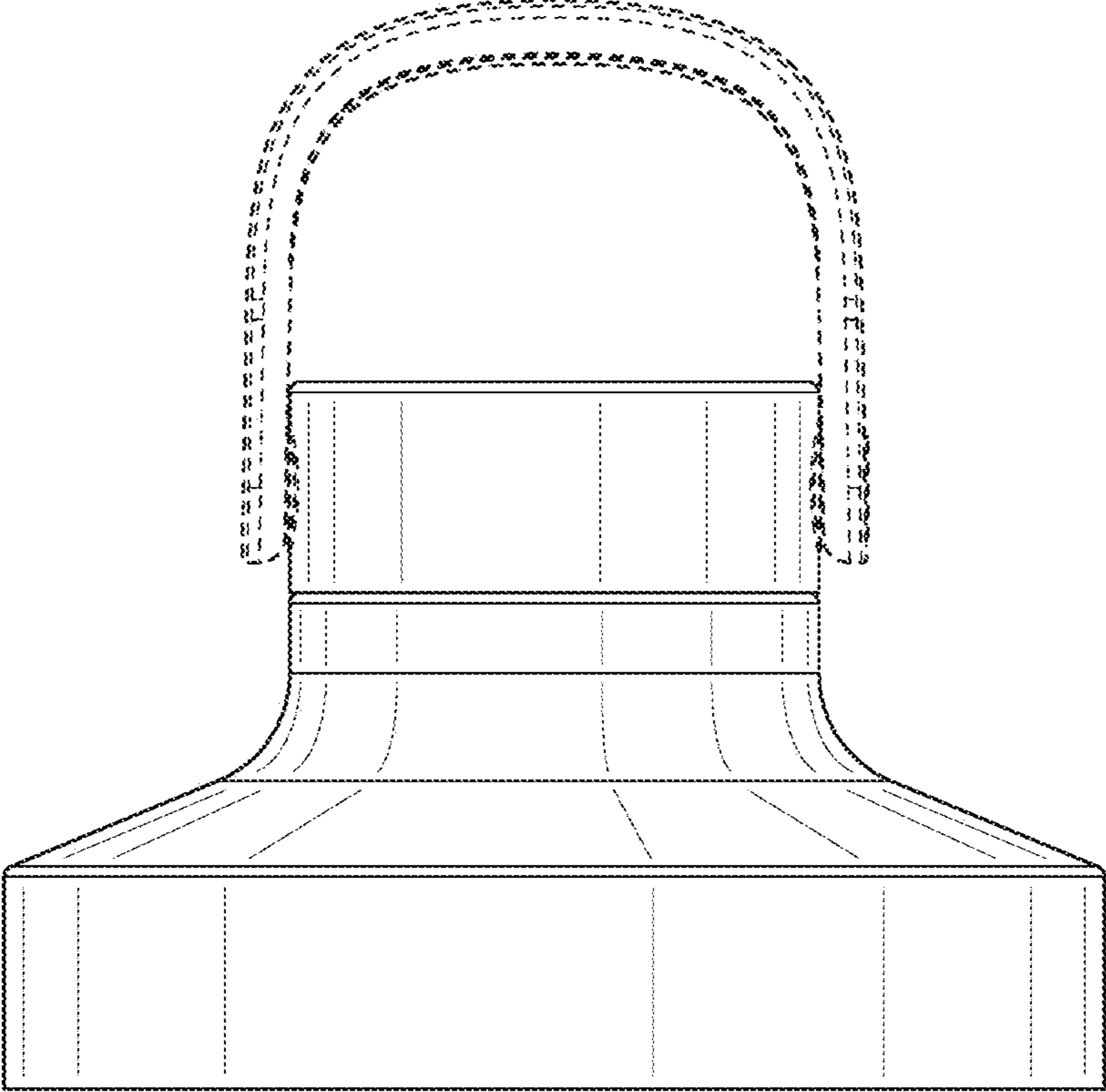


FIG. 4

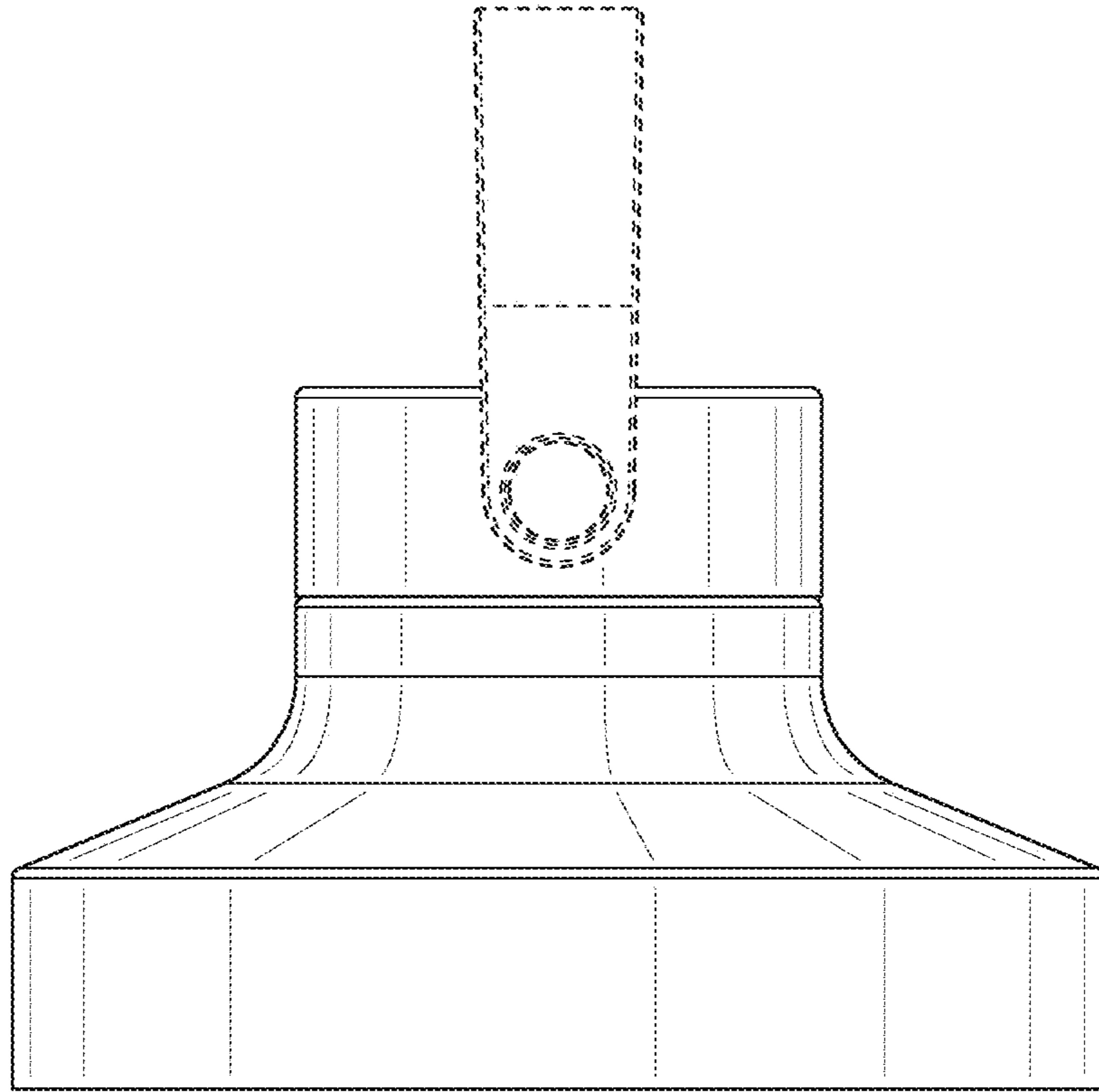


FIG. 5

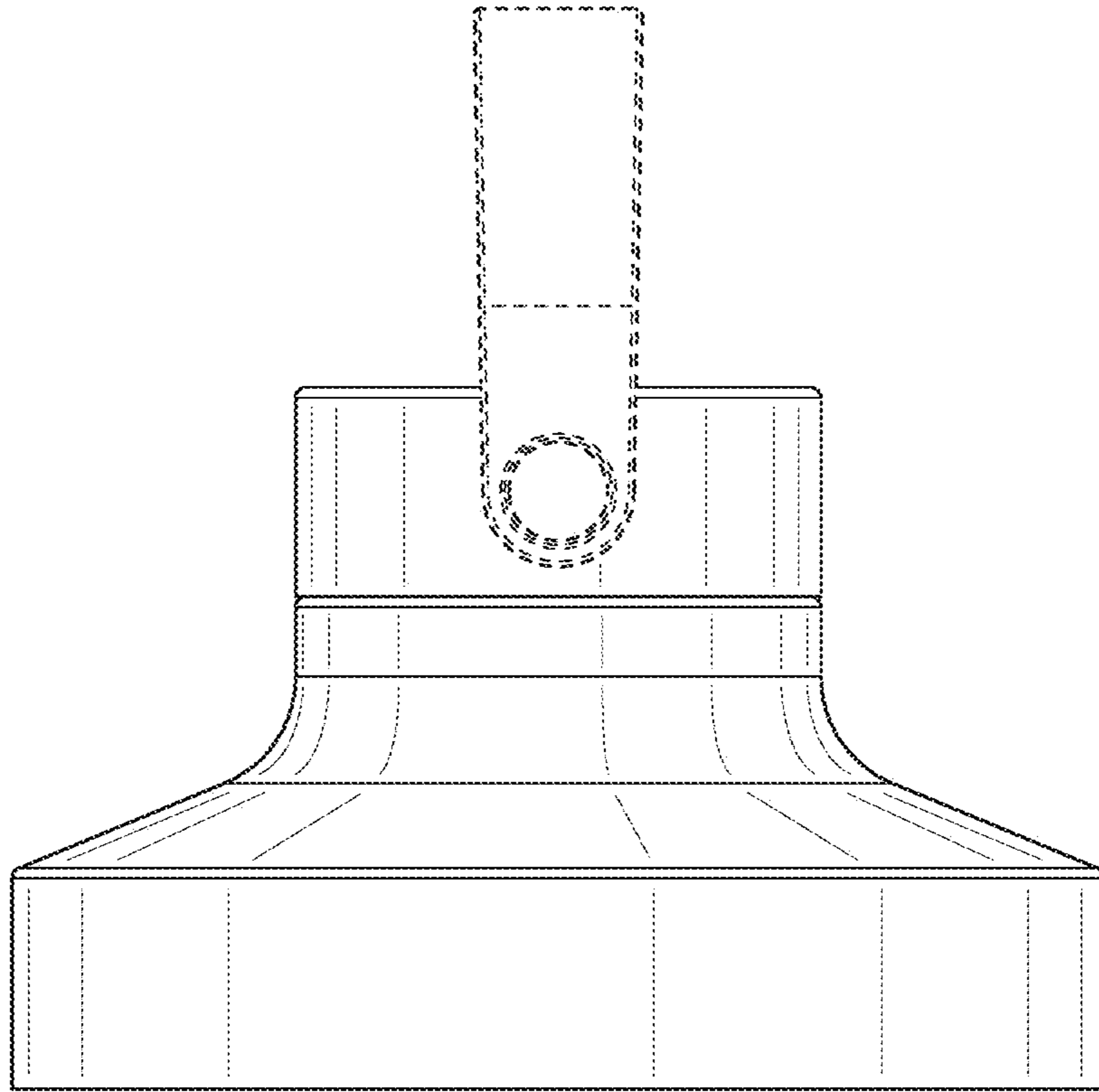


FIG. 6



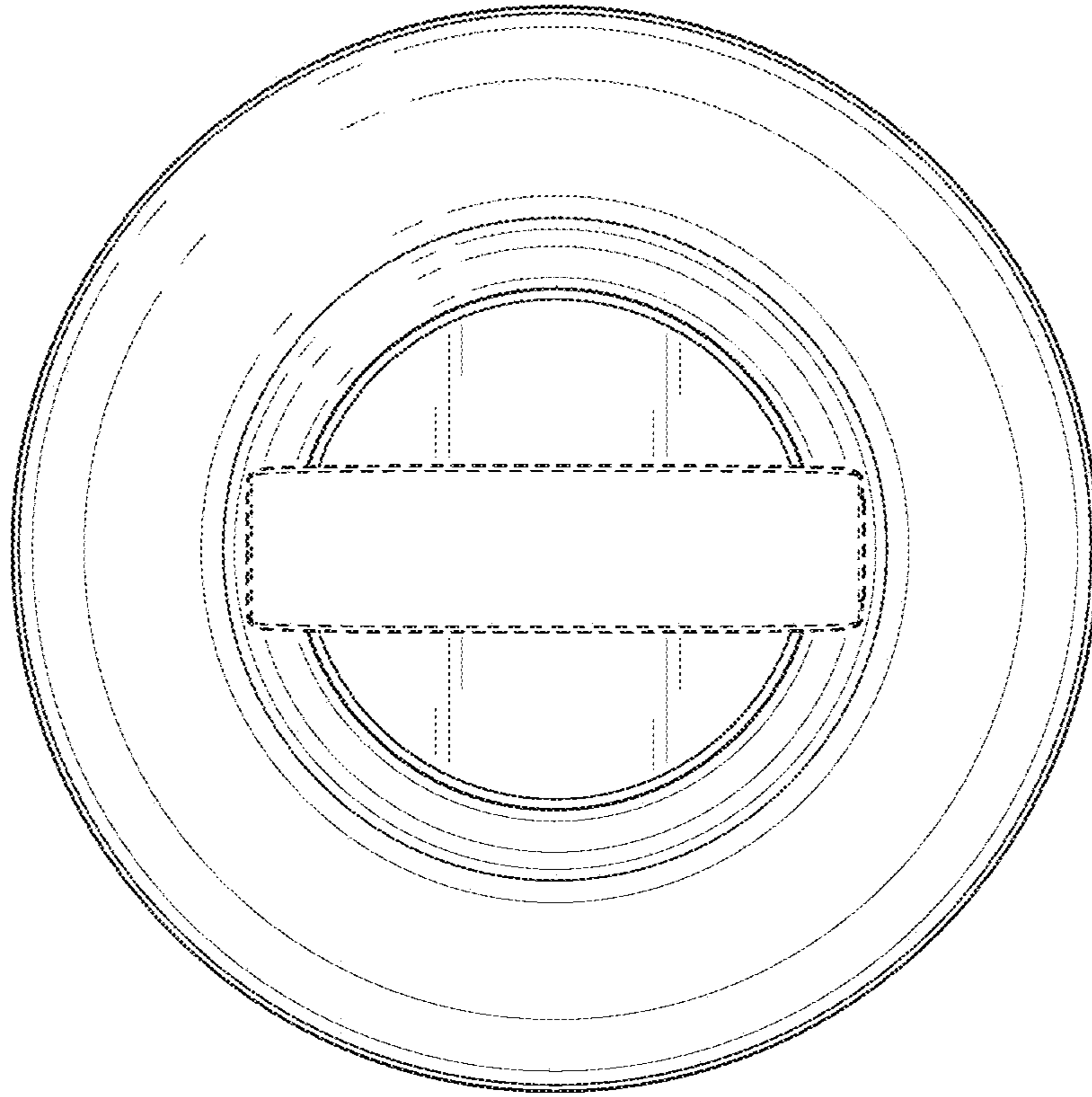


FIG. 7

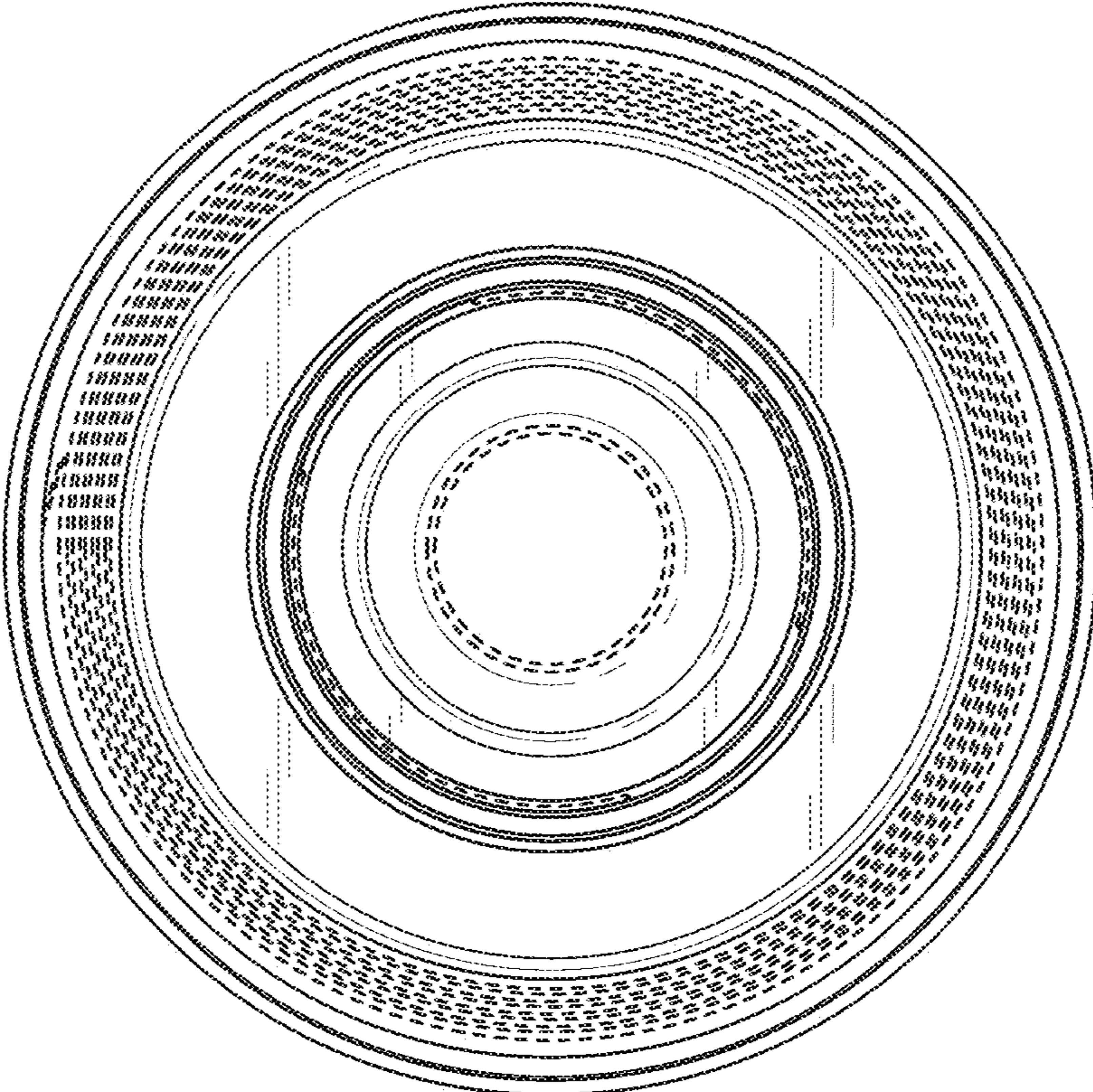


FIG. 8

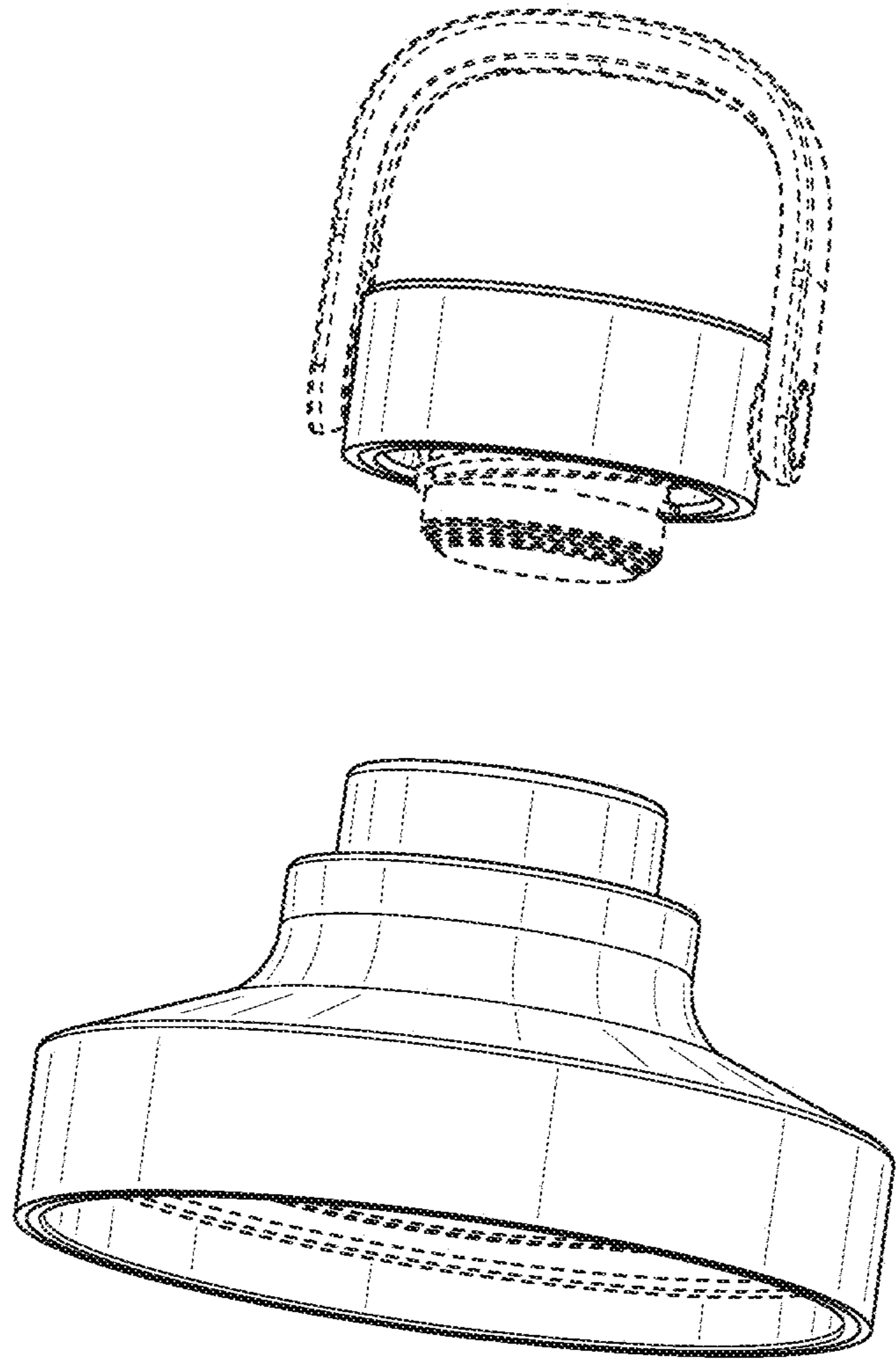


FIG. 9

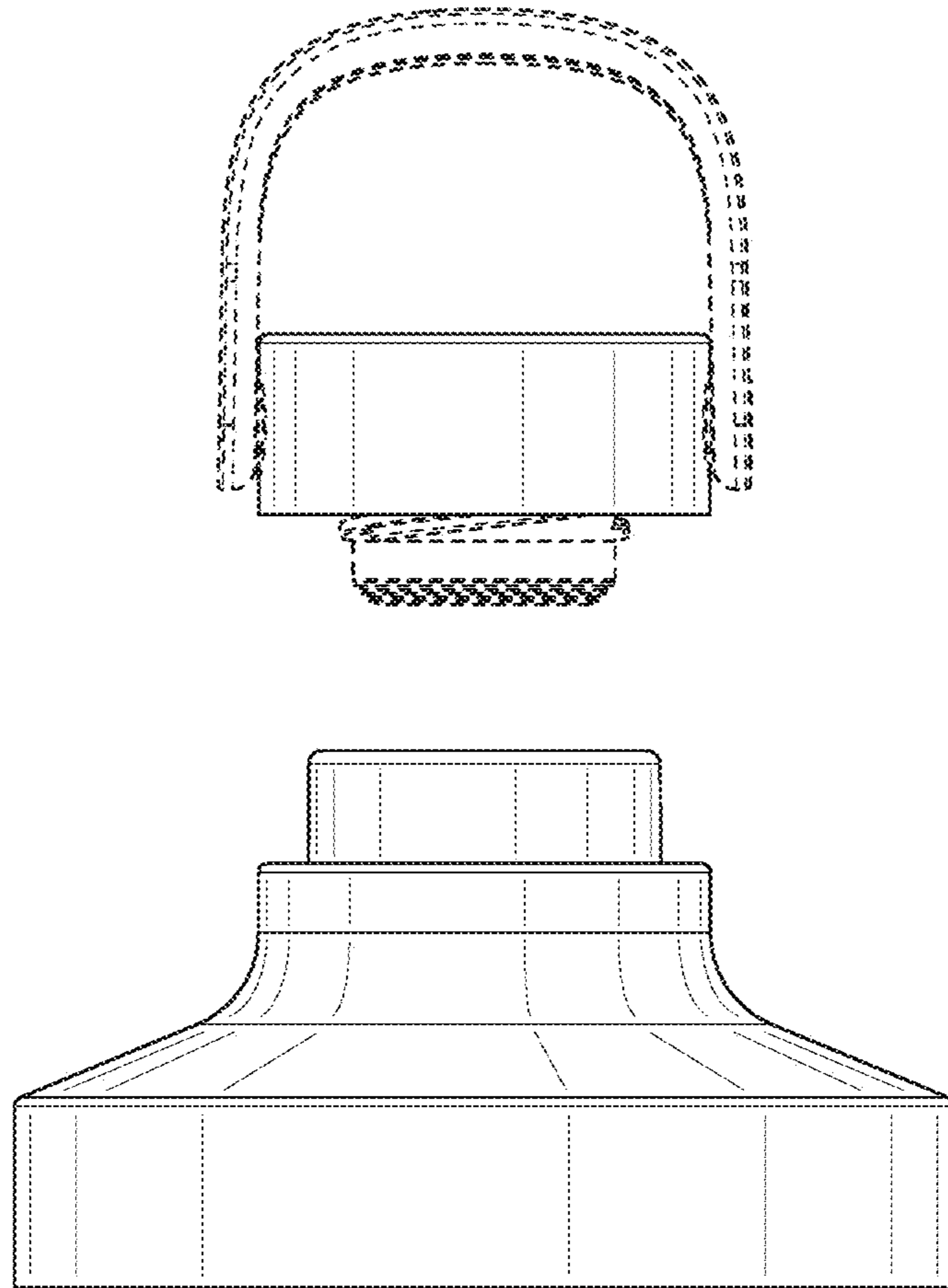


FIG. 10