



US00D946963S

(12) **United States Design Patent**
Chen

(10) **Patent No.:** **US D946,963 S**

(45) **Date of Patent:** **** Mar. 29, 2022**

- (54) **POT**
- (71) Applicant: **Weidong Chen**, Yingde (CN)
- (72) Inventor: **Weidong Chen**, Yingde (CN)
- (**) Term: **15 Years**
- (21) Appl. No.: **29/781,442**
- (22) Filed: **Apr. 30, 2021**
- (51) **LOC (13) Cl.** **07-02**
- (52) **U.S. Cl.**
USPC **D7/360; D7/354**
- (58) **Field of Classification Search**
USPC D7/323, 354–363, 387, 391, 393–396,
D7/409
CPC A47G 19/12; A47J 27/00; A47J 27/002;
A47J 27/08; A47J 27/21; A47J 27/58;
A47J 36/025; A47J 36/06; A47J 36/08;
A47J 36/12; A47J 37/00; A47J 37/10;
A47J 37/101; A47J 37/103; A47J 37/12;
A47J 37/1204; A47J 45/061; A47J
45/071; A47J 45/08; H05B 6/12
See application file for complete search history.

- (56) **References Cited**
U.S. PATENT DOCUMENTS
4,310,418 A * 1/1982 Busbey A47J 36/08
210/467
5,388,732 A * 2/1995 Greger A47J 36/08
210/467
D386,940 S * 12/1997 Hess 210/467
5,730,045 A * 3/1998 Delaquis A47J 36/08
99/337
D455,315 S * 4/2002 Cheng D7/354

- D455,599 S * 4/2002 Cheng D7/354
- D572,077 S * 7/2008 Duke D7/387
- D596,451 S * 7/2009 Wu D7/361
- D618,495 S * 6/2010 Welk D7/361
- D829,490 S * 10/2018 Dhirmalani D7/361
- D888,490 S 6/2020 Li
- D894,666 S 9/2020 Tsai
- D915,131 S * 4/2021 Elmasu D7/360
- D917,951 S * 5/2021 Dorion D7/361

OTHER PUBLICATIONS

Norpro 8 Cup Multi Pot with Straining Lid. Date First Available on Amazon.com Sep. 9, 2003. <https://www.amazon.com/Norpro-650-Multi-Straining-Silver/dp/B0000E2PO7/ref> (Year: 2003).*

* cited by examiner

Primary Examiner — Ricky Pham

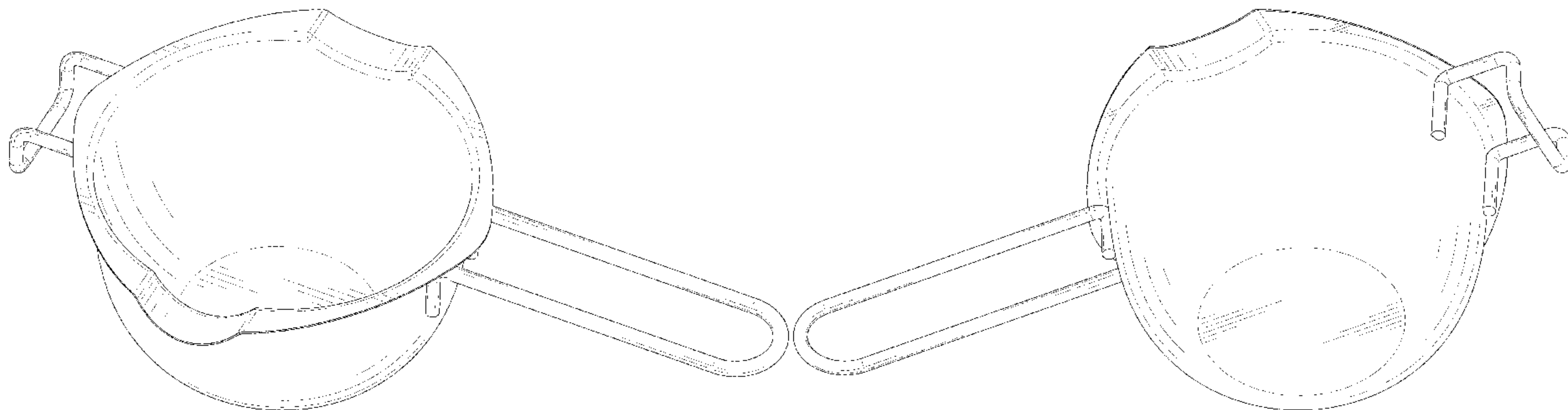
(57) **CLAIM**

The ornamental design for a pot, as shown and described.

DESCRIPTION

FIG. 1 is a perspective view of a pot showing my new design;
FIG. 2 is another perspective view thereof;
FIG. 3 is a front elevational view thereof;
FIG. 4 is a rear elevational view thereof;
FIG. 5 is a left side elevational view thereof;
FIG. 6 is a right side elevational view thereof;
FIG. 7 is a top plan view thereof; and,
FIG. 8 is a bottom plan view thereof.

1 Claim, 8 Drawing Sheets



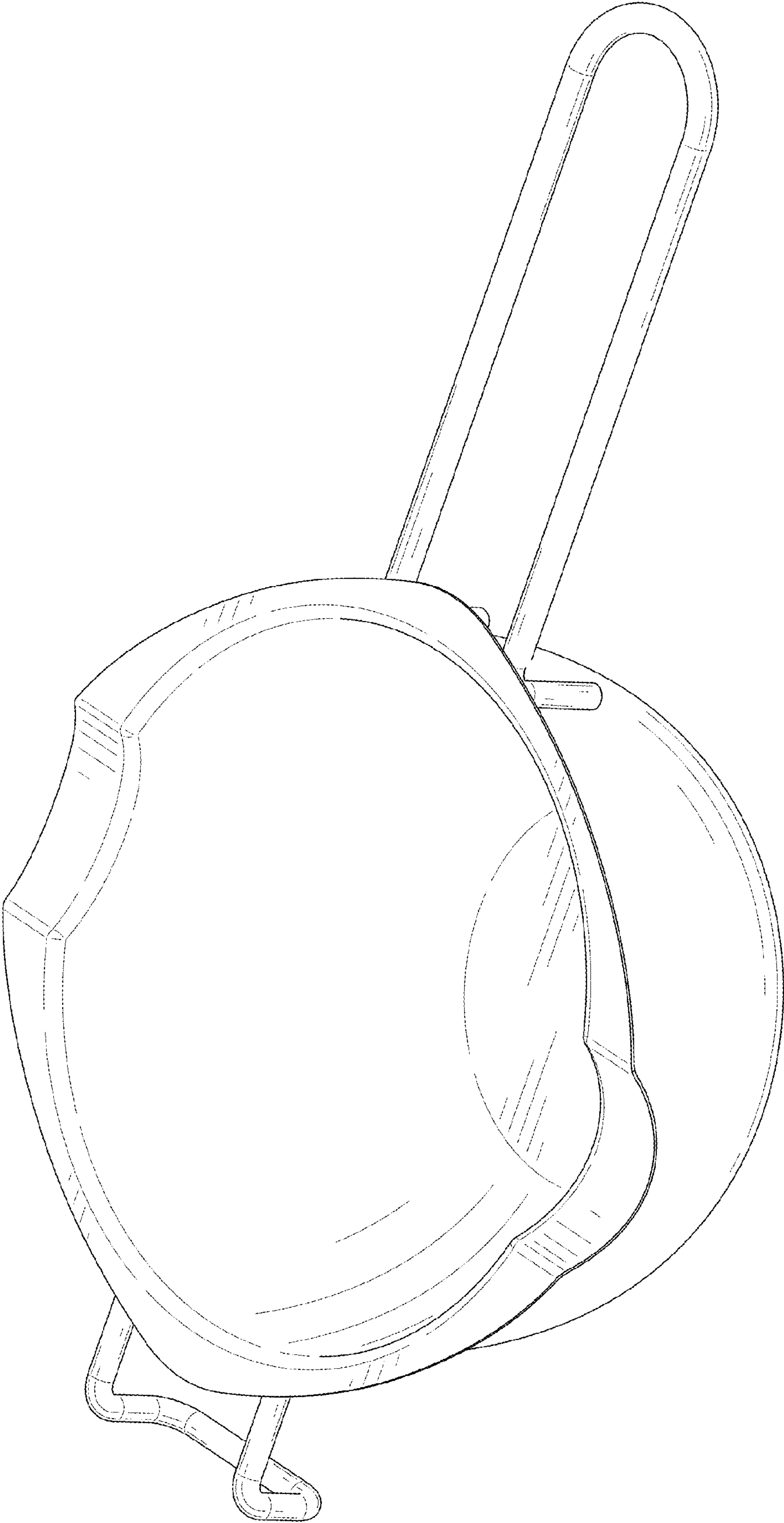


FIG. 1

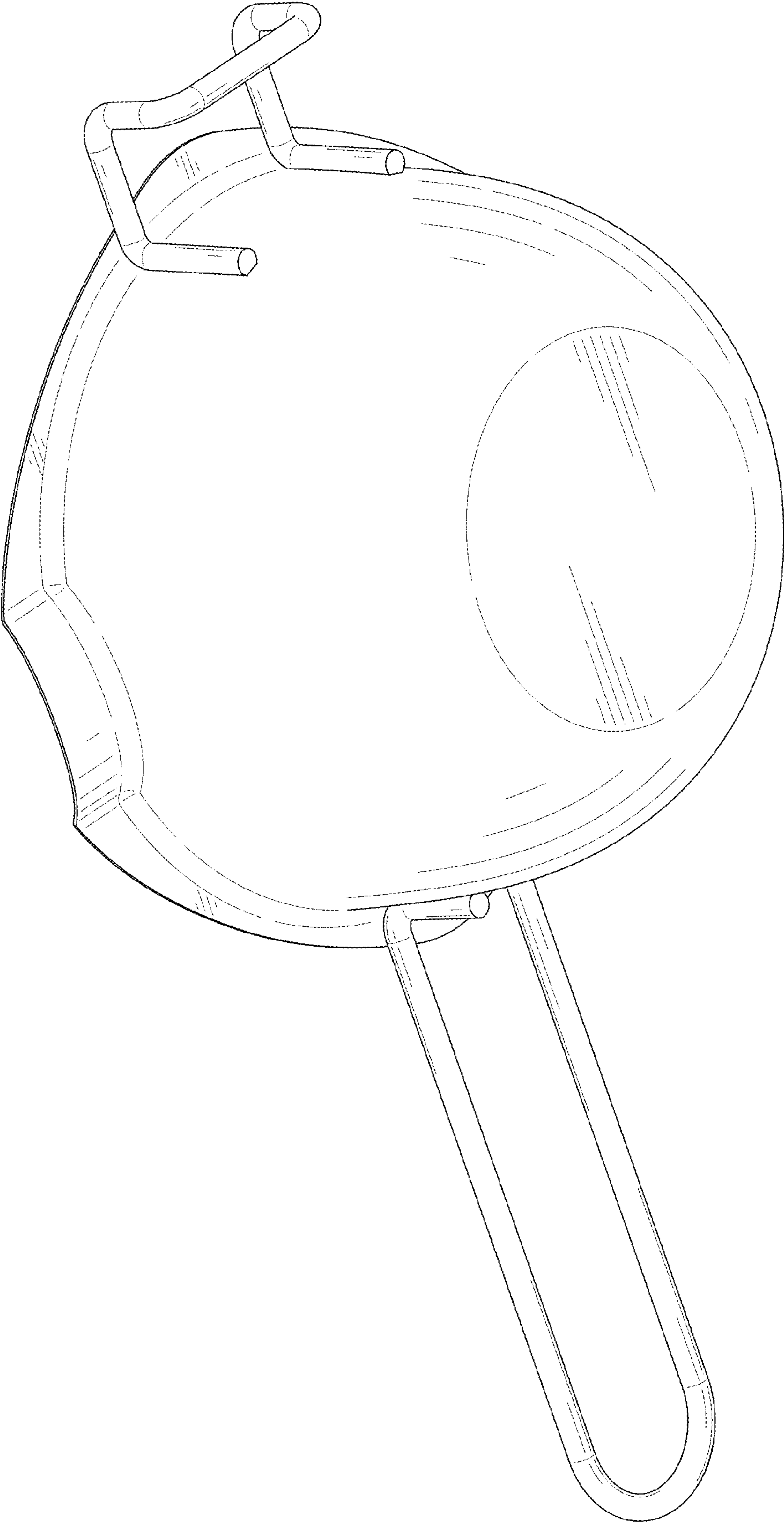


FIG. 2

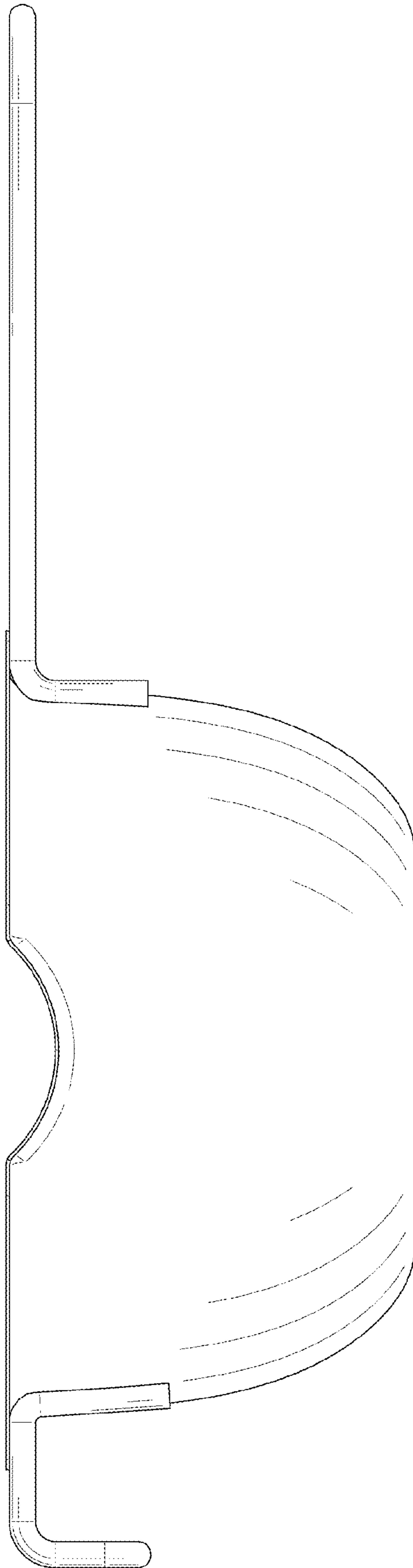


FIG. 3

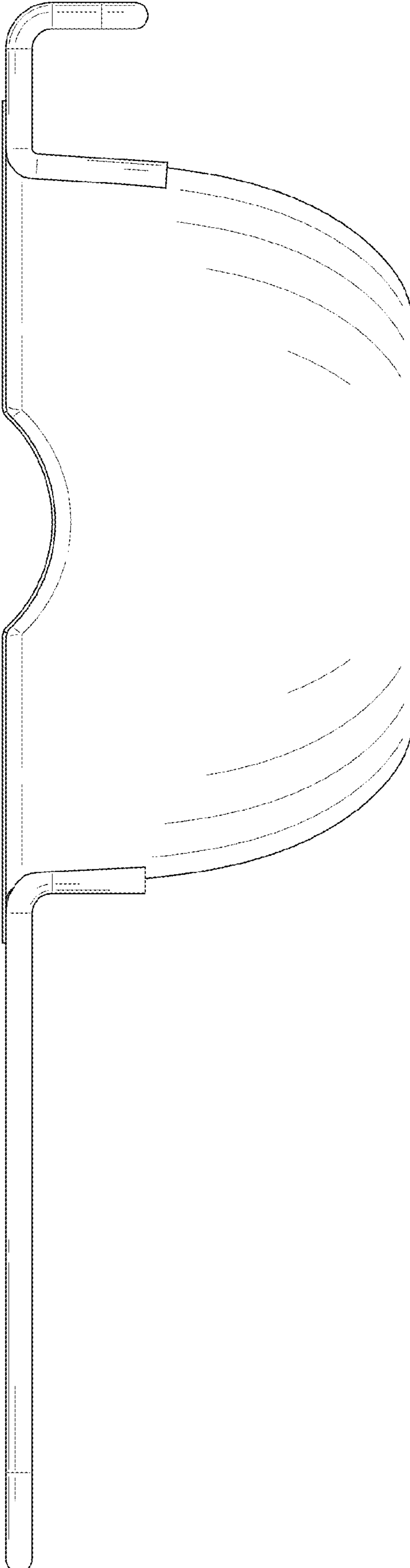


FIG. 4

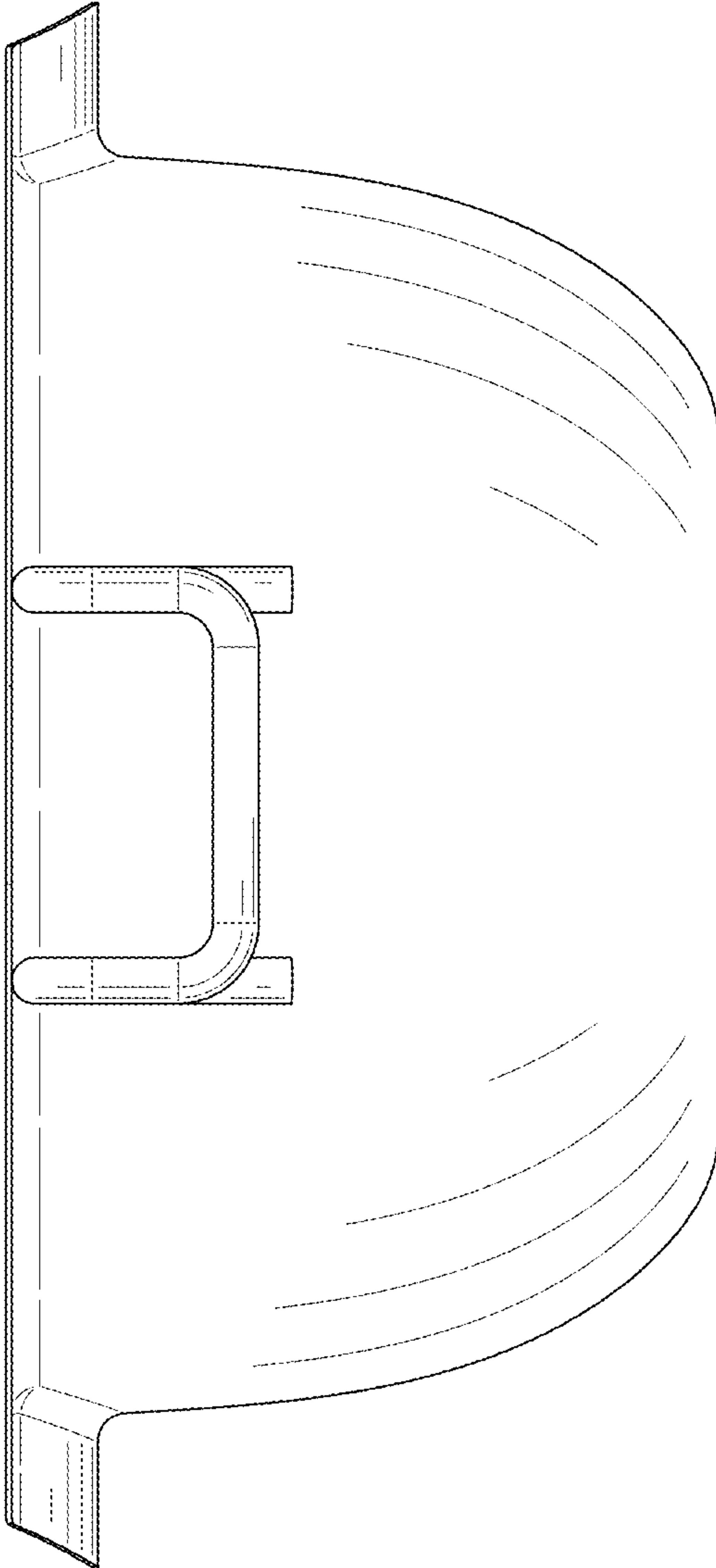


FIG. 5

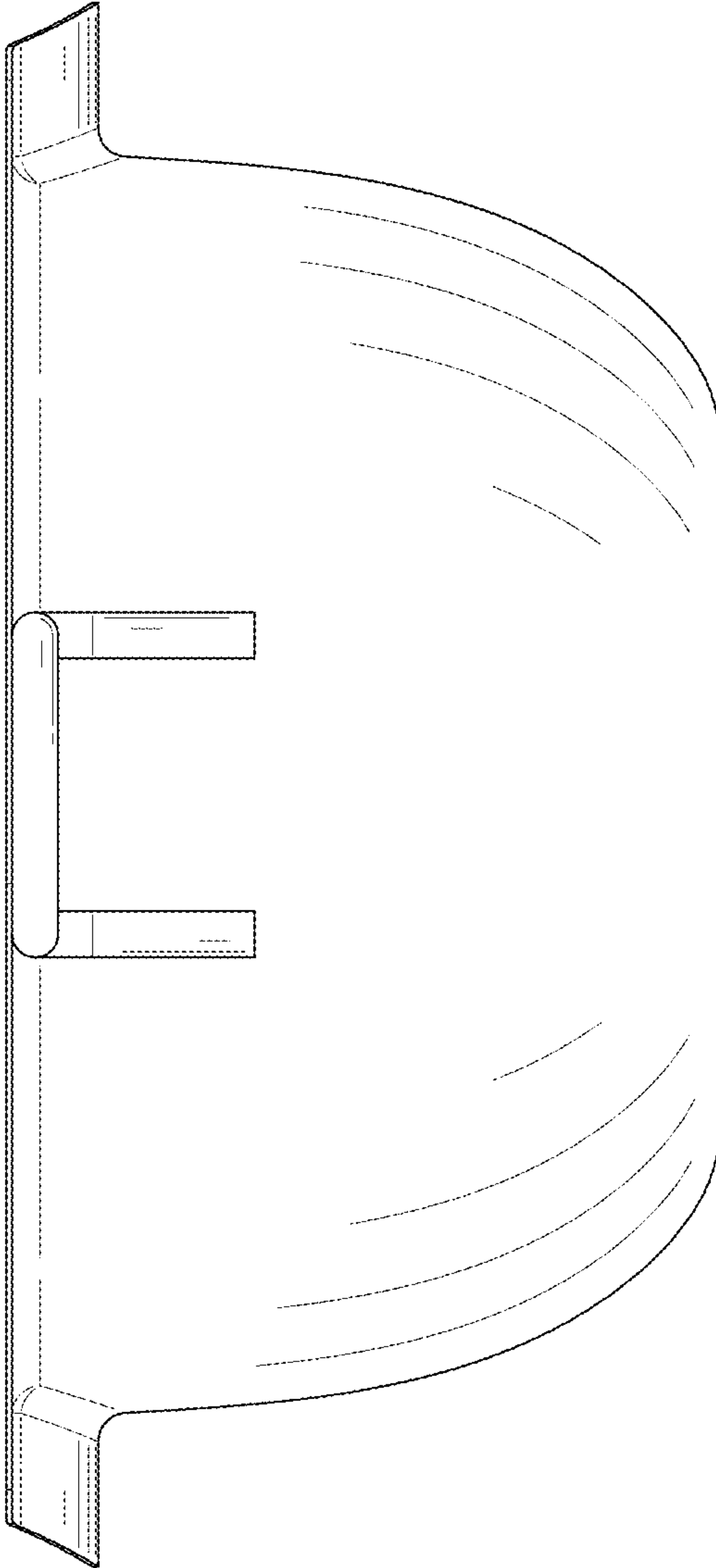


FIG. 6

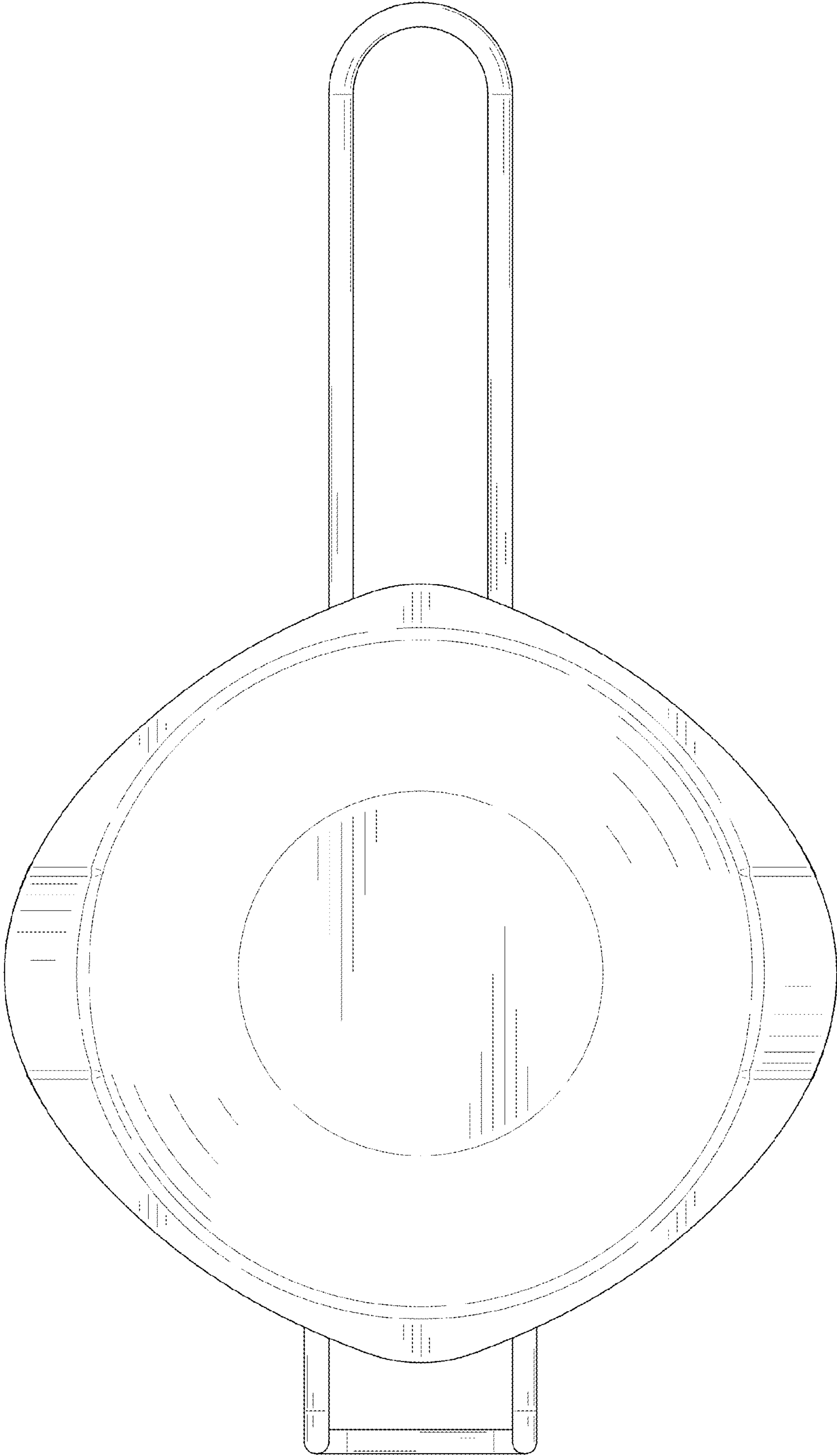


FIG. 7

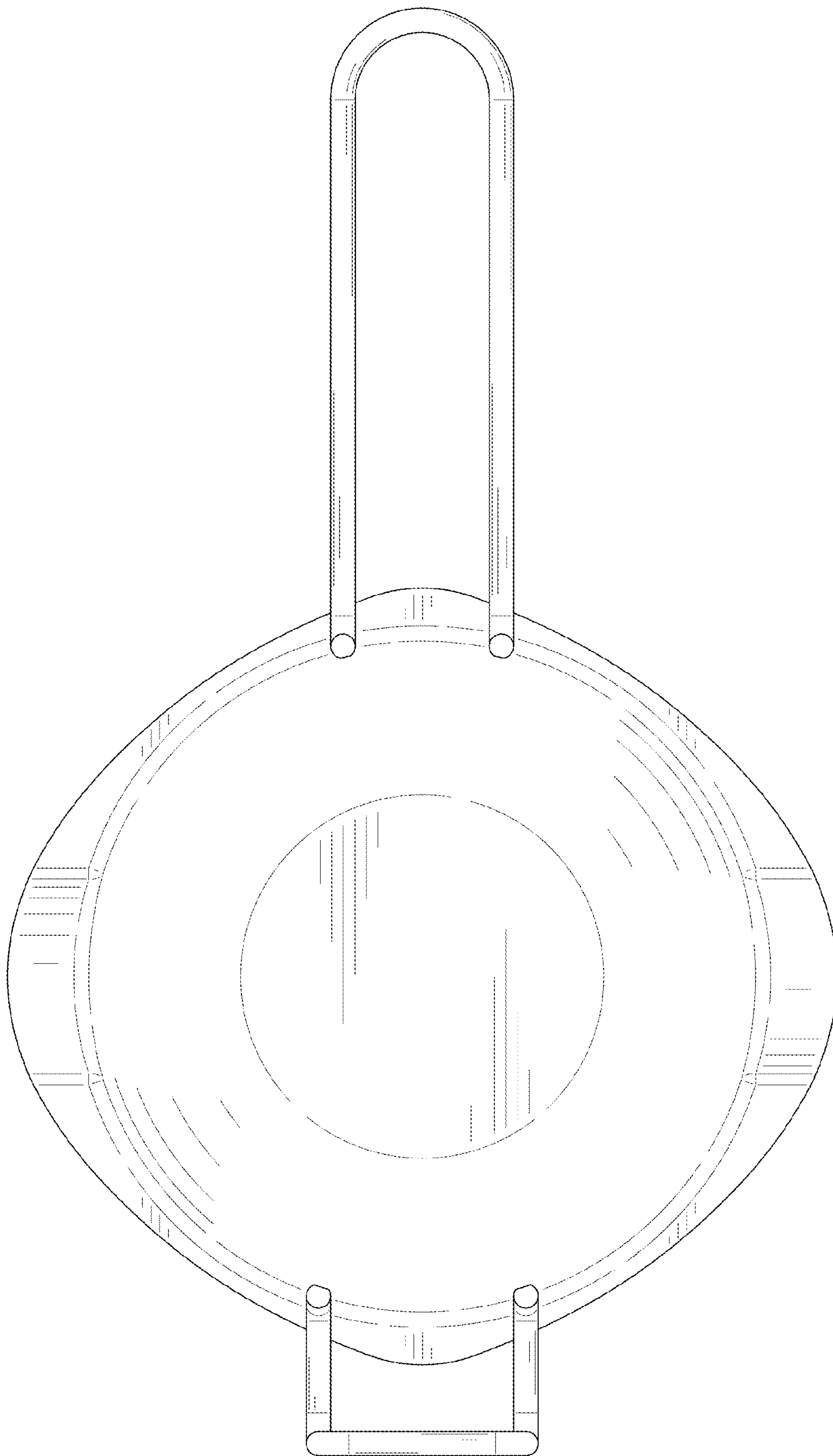


FIG. 8