



US00D946962S

(12) **United States Design Patent** (10) **Patent No.:** **US D946,962 S**  
**Qin** (45) **Date of Patent:** **\*\* Mar. 29, 2022**

- (54) **AIR FRYER**
- (71) Applicant: **Instant Brands Inc.**, Kanata (CA)
- (72) Inventor: **Yi Qin**, Downers Grove, IL (US)
- (73) Assignee: **Instant Brands Inc.**, Kanata (CA)
- (\*\*) Term: **15 Years**
- (21) Appl. No.: **29/813,720**
- (22) Filed: **Nov. 1, 2021**

(56) **References Cited**

U.S. PATENT DOCUMENTS

D452,795 S *	1/2002	Johnson	.....	D7/354
D804,236 S *	12/2017	Zhang	.....	D7/354
D836,381 S *	12/2018	Moon	.....	D7/354
D871,827 S *	1/2020	Moon	.....	D7/354
D875,460 S *	2/2020	Chen	.....	D7/354
D875,463 S *	2/2020	Chen	.....	D7/354
D879,539 S *	3/2020	Chen	.....	D7/354
D932,232 S *	10/2021	Yang	.....	D7/354
D934,021 S *	10/2021	Luo	.....	D7/354
D937,623 S *	12/2021	Qin	.....	D7/354
D938,218 S *	12/2021	Dubeau	.....	D7/354
D939,886 S *	1/2022	Yang	.....	D7/354

(Continued)

**Related U.S. Application Data**

- (63) Continuation of application No. 29/743,365, filed on Jul. 21, 2020, now Pat. No. Des. 937,623.

(30) **Foreign Application Priority Data**

Feb. 11, 2020 (CN) ..... 202030052140.X

- (51) **LOC (13) Cl.** ..... **07-02**
- (52) **U.S. Cl.**  
USPC ..... **D7/354**

(58) **Field of Classification Search**

USPC ..... D7/323, 354-361  
 CPC ..... A23L 1/01; A23L 1/0107; A23L 1/0114;  
 A47J 27/00; A47J 27/08; A47J 27/09;  
 A47J 27/092; A47J 36/025; A47J 36/06;  
 A47J 36/08; A47J 36/10; A47J 36/12;  
 A47J 36/18; A47J 36/20; A47J 36/22;  
 A47J 36/165; A47J 37/00; A47J 37/0641;  
 A47J 37/12; A47J 37/129; A47J 37/1204;  
 A47J 37/1209; A47J 37/1214; A47J  
 37/1219; A47J 37/1266; A47J 37/1285;  
 A47J 37/1295; G07F 17/0064; G07F  
 17/0078; G07F 17/0085; H05B 6/02;  
 H05B 6/06; H05B 6/12

See application file for complete search history.

**OTHER PUBLICATIONS**

Ultrean Air Fryer Date First Available on Amazon.com Feb. 25, 2020. <https://www.amazon.com/Ultrean-Finish-Electric-Temperature-Non-Stick/dp/B081SYTG63/ref> (Year: 2020).\*

*Primary Examiner* — Ricky Pham

(74) *Attorney, Agent, or Firm* — Crowell & Moring LLP

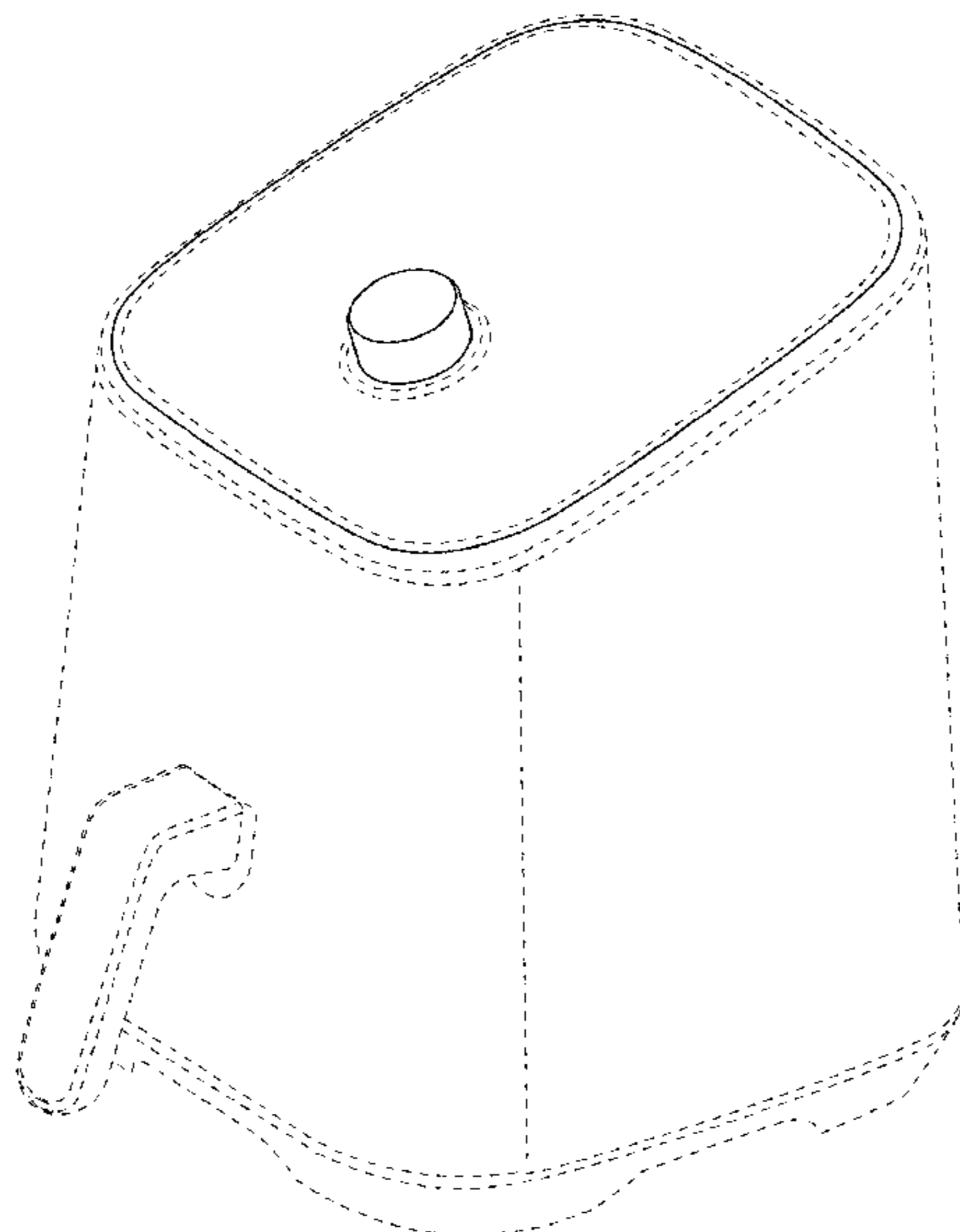
(57) **CLAIM**

The ornamental design for an air fryer, as shown and described.

**DESCRIPTION**

FIG. 1 is a front elevation view of an air fryer showing my new design;  
 FIG. 2 is a rear elevation view thereof;  
 FIG. 3 is a left side elevation view thereof;  
 FIG. 4 is a right side elevation view thereof;  
 FIG. 5 is a top plan view thereof;  
 FIG. 6 is a bottom plan view thereof; and,  
 FIG. 7 is a top, front, right perspective view thereof.  
 The broken lines in the drawings depict portions of the air fryer that form no part of the claimed design.

**1 Claim, 7 Drawing Sheets**



(56)

**References Cited**

U.S. PATENT DOCUMENTS

2015/0122137 A1\* 5/2015 Chang ..... A47J 37/0641  
220/573.1

\* cited by examiner

FIG. 1

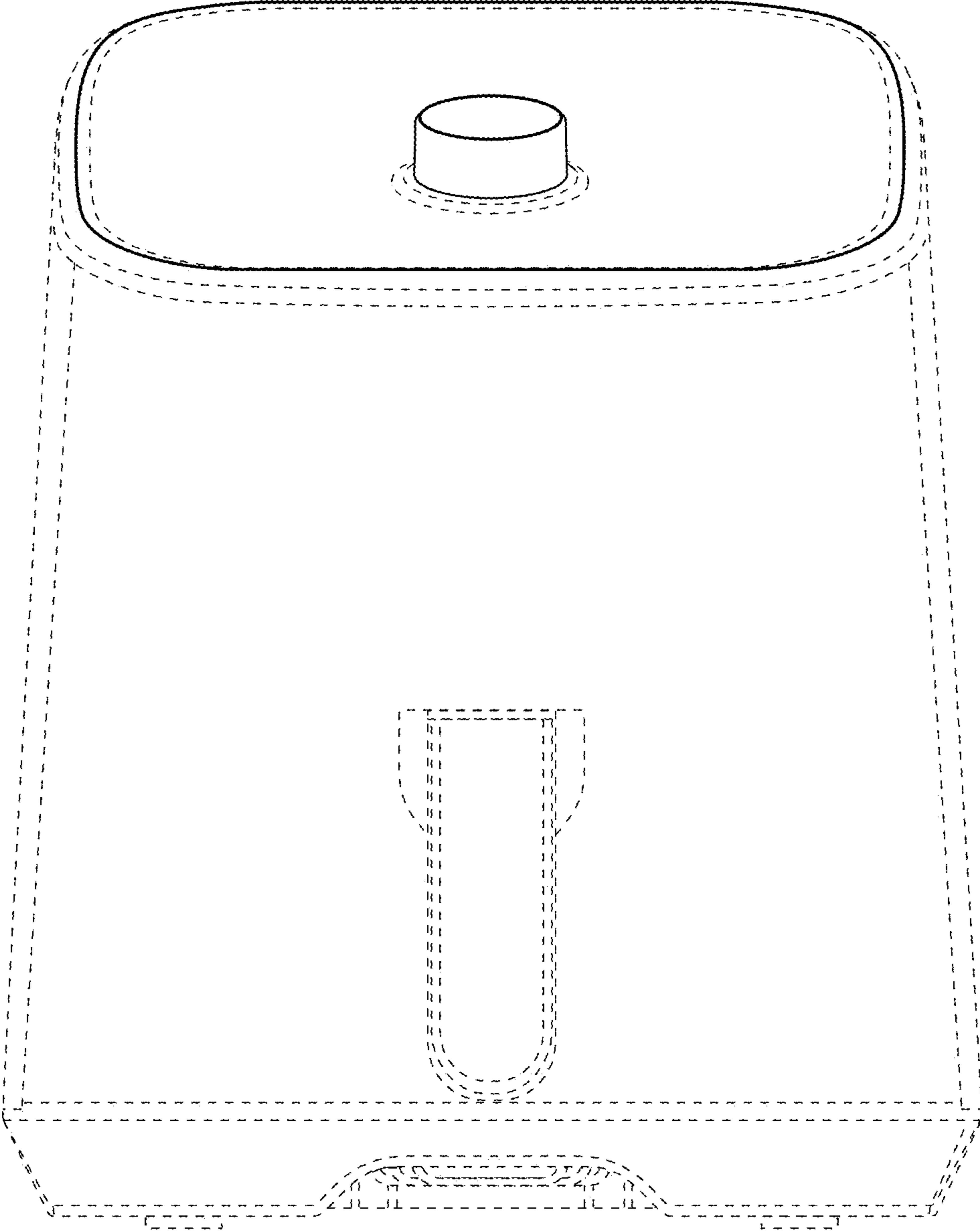


FIG. 2

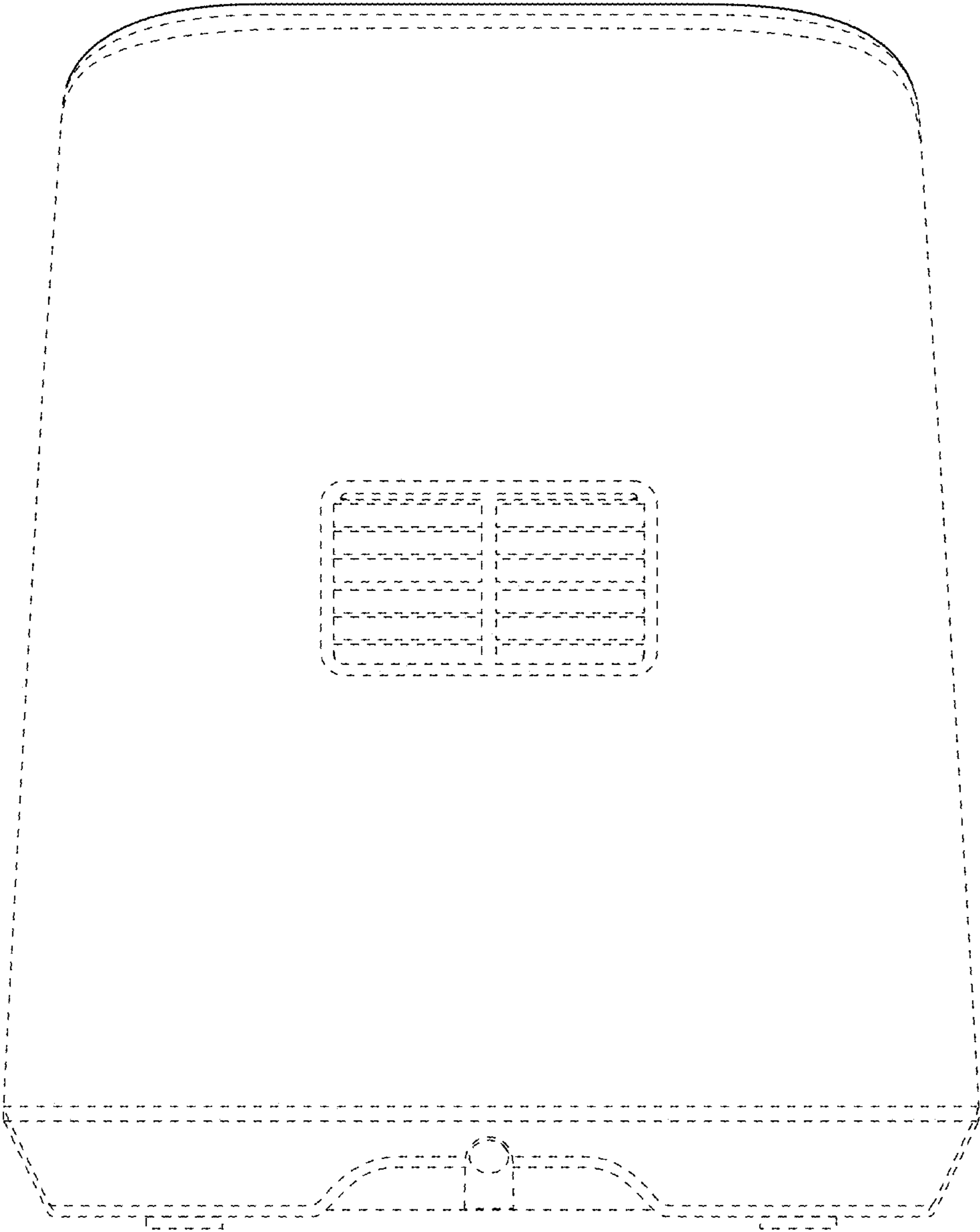


FIG. 3

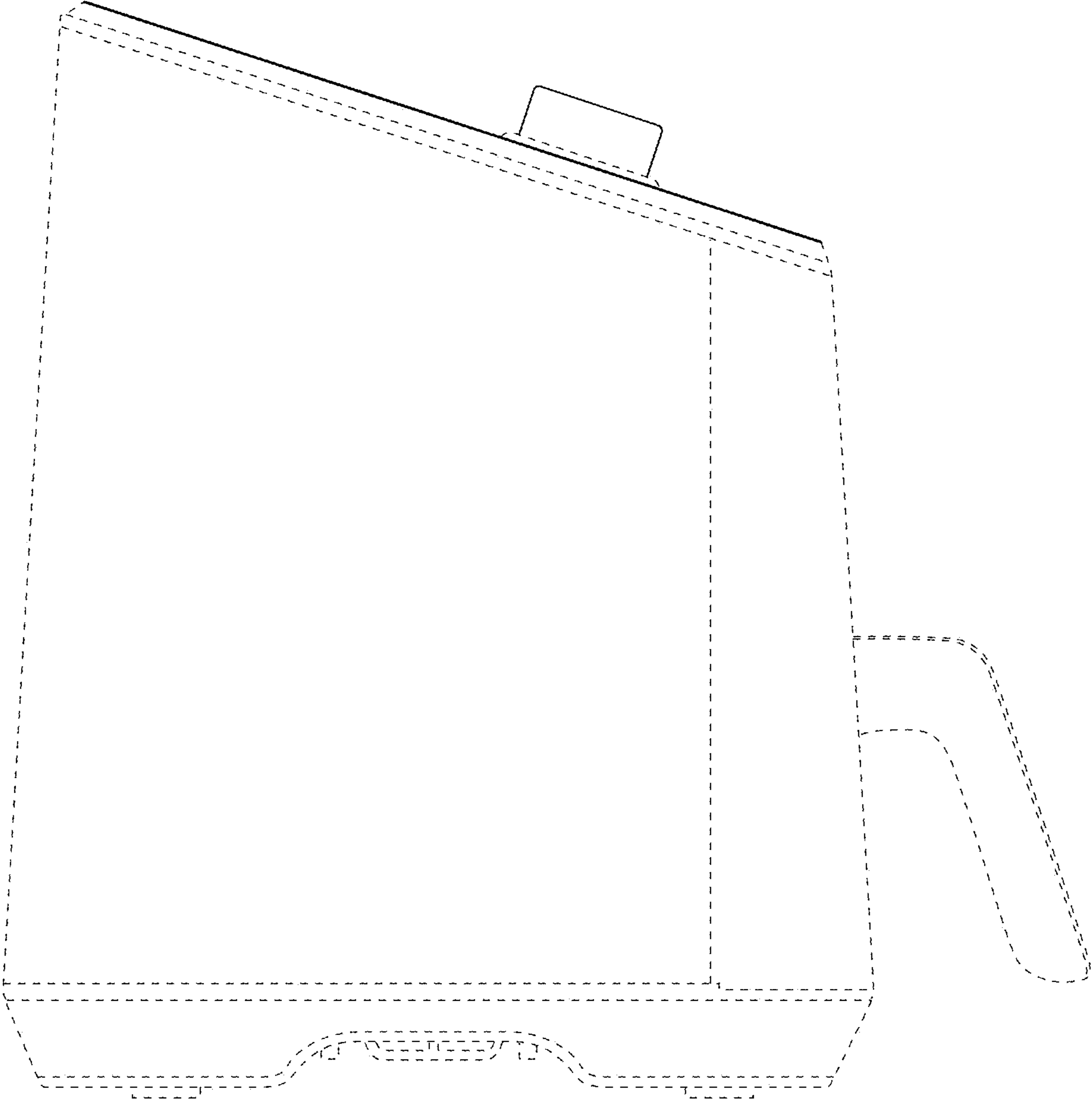


FIG. 4

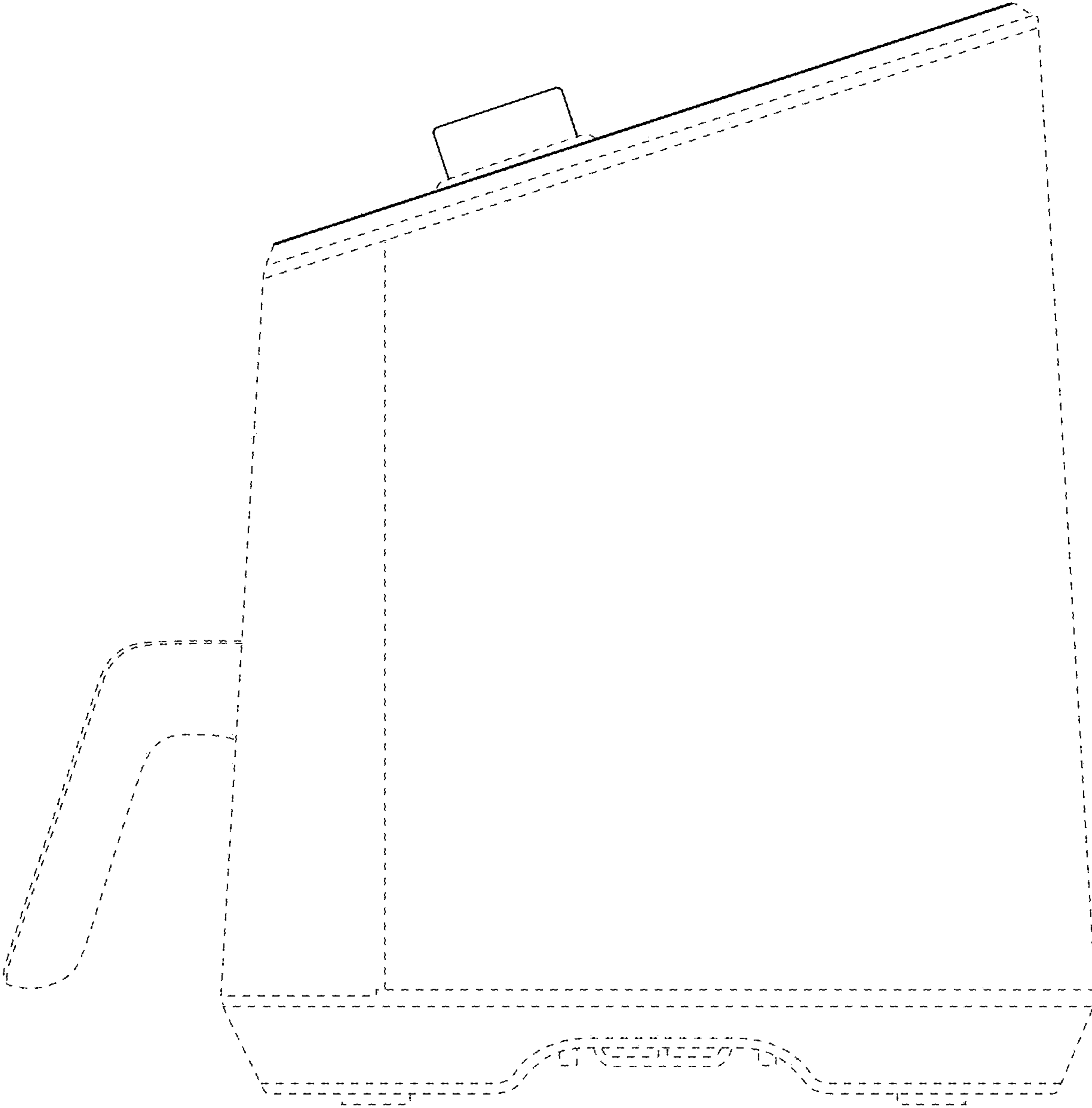


FIG. 5

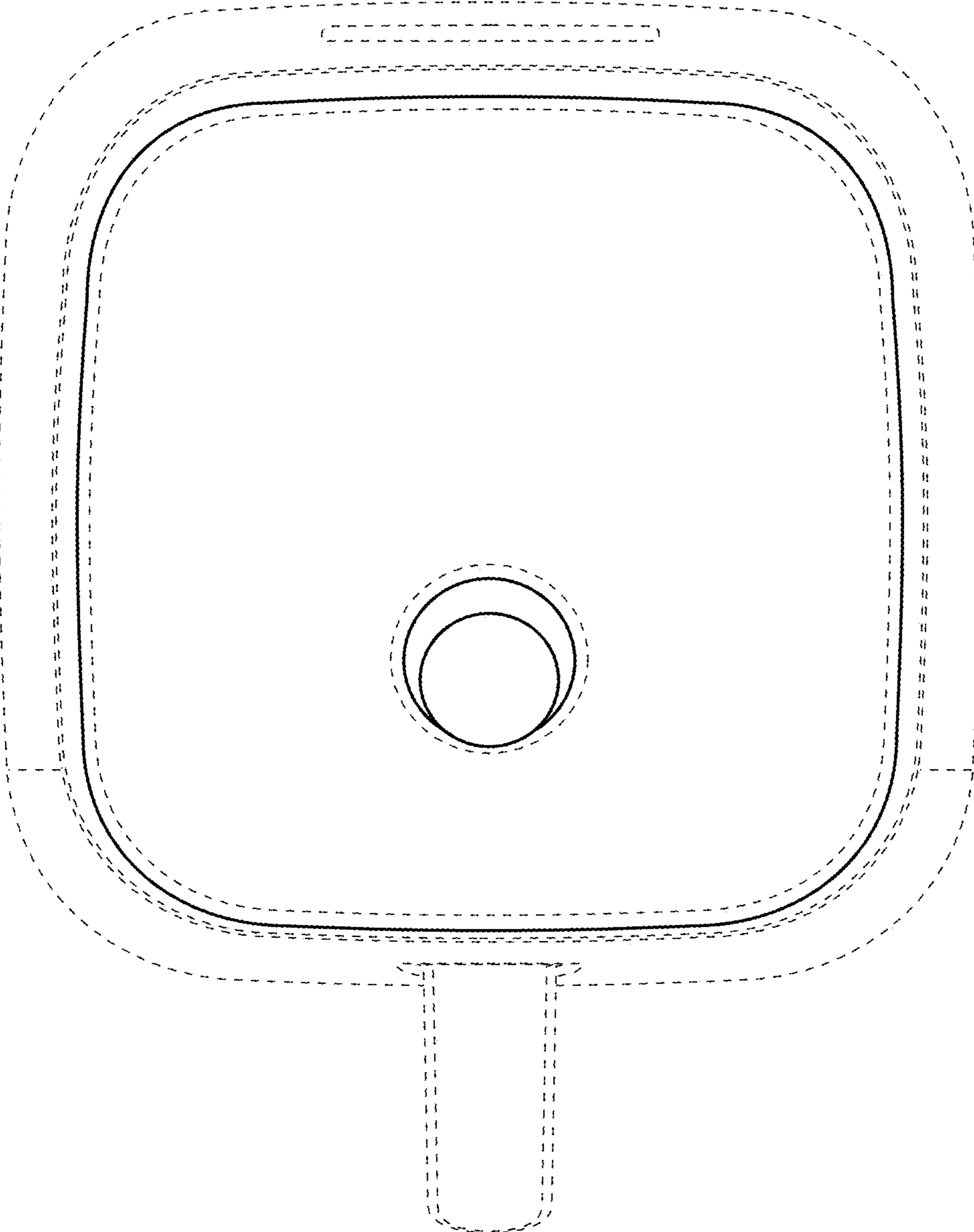


FIG. 6

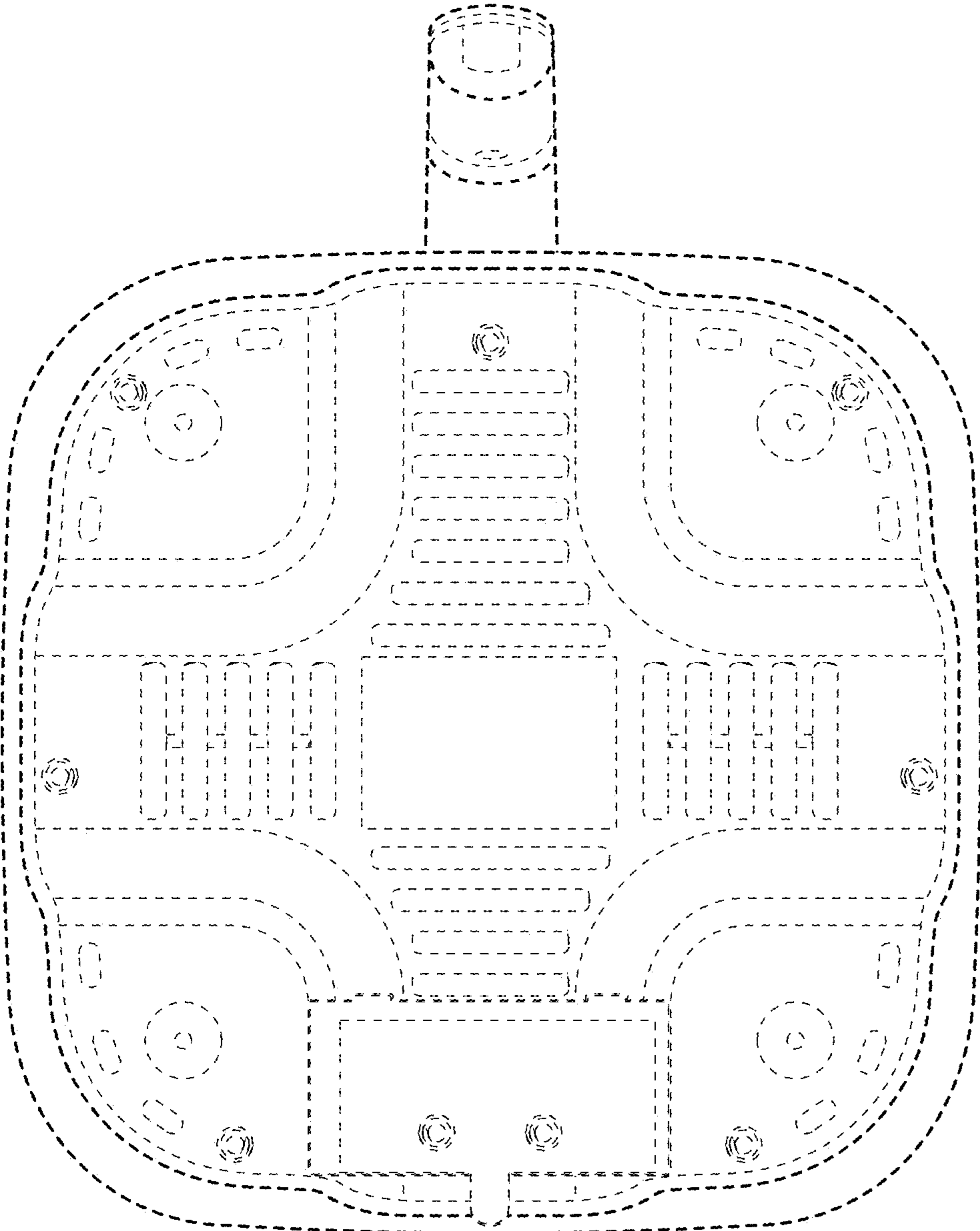




FIG. 7

