

US00D946961S

(12) **United States Design Patent**
Workman et al.

(10) **Patent No.:** **US D946,961 S**
(45) **Date of Patent:** **** Mar. 29, 2022**

- (54) **FIRE PIT**
- (71) Applicant: **Barebones Systems, LLC**, Salt Lake City, UT (US)
- (72) Inventors: **Robert Emmett Workman**, Morgan, UT (US); **David Jared Burton**, Payson, UT (US)
- (73) Assignee: **BAREBONES SYSTEMS, LLC**, Salt Lake City, UT (US)
- (**) Term: **15 Years**
- (21) Appl. No.: **29/739,204**
- (22) Filed: **Jun. 23, 2020**
- (51) **LOC (13) Cl.** **07-02**
- (52) **U.S. Cl.**
USPC **D7/334; D7/332**
- (58) **Field of Classification Search**
USPC D23/314, 332, 335, 339, 348, 338; D7/323, 332, 334, 339, 343, 345, 347, D7/362, 363, 387, 402, 403, 405, 408, D7/409; D8/315
CPC A47J 2202/00; A47J 27/00; A47J 36/00; A47J 36/26; A47J 37/00; A47J 37/04; A47J 37/0623; A47J 37/0647; A47J 37/07; A47J 37/0704; F24B 1/00; F24B 3/00; F24C 1/00; F24C 15/36; F24C 3/002; F24C 3/022
See application file for complete search history.

- 5,558,008 A * 9/1996 Jenkins A47J 37/0786
126/25 R
 - D376,510 S * 12/1996 Ting D7/332
 - D381,552 S * 7/1997 Pizzey D7/332
 - D386,936 S * 12/1997 Stone D7/332
 - D414,374 S * 9/1999 Ting D7/334
- (Continued)

FOREIGN PATENT DOCUMENTS

- DE 49902016-0001 * 10/1999
 - EM 000364807-0003 * 8/2005
- (Continued)

OTHER PUBLICATIONS

Fire Pits [online] URL: <https://web.archive.org/web/20170604165355/http://www.johnsonsmokers.com/fire-pits/> (site visited: Nov. 3, 2021) (Year: 2017).*

(Continued)

Primary Examiner — Jae Liang
Assistant Examiner — Tia Ruth-Renee Polidori
(74) *Attorney, Agent, or Firm* — Morriss O’Bryant
Compagni Cannon, PLLC

(57) **CLAIM**

The ornamental design for a fire pit, as shown and described.

DESCRIPTION

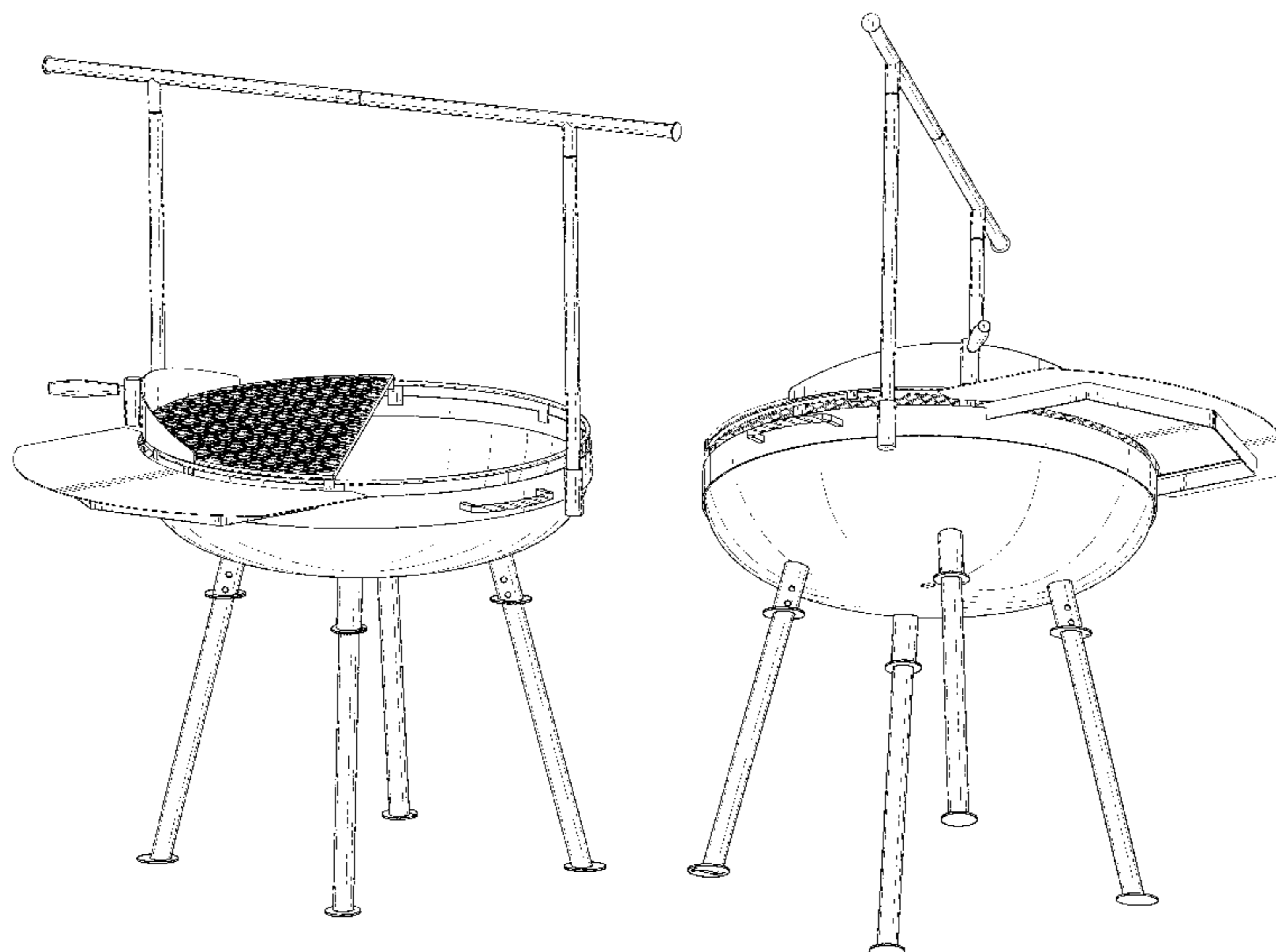
FIG. 1 is top right side perspective front side view of a fire pit;
FIG. 2 is a bottom left side perspective front side view thereof;
FIG. 3 is a left side elevation view thereof;
FIG. 4 is a right side elevation thereof;
FIG. 5 is a back side elevation view thereof;
FIG. 6 is a front side elevation view thereof;
FIG. 7 is a top plan view thereof; and,
FIG. 8 is a bottom plan view thereof.

1 Claim, 8 Drawing Sheets

(56) **References Cited**

U.S. PATENT DOCUMENTS

- 4,867,130 A * 9/1989 Walker A47J 37/0704
126/25 A
- 5,111,802 A * 5/1992 Lin A47J 37/0786
126/25 R
- 5,355,867 A * 10/1994 Hall A47J 33/00
126/29



(56)

References Cited

U.S. PATENT DOCUMENTS

6,508,167 B1 * 1/2003 Lu A47J 37/0745
99/419
D481,256 S * 10/2003 Bossler D7/337
D485,116 S * 1/2004 Kwok D7/334
D528,847 S * 9/2006 Chung D7/334
D563,144 S * 3/2008 Melzer D7/332
D623,003 S * 9/2010 Chung D7/334
D702,986 S * 4/2014 Tomalin-Reeves D7/332
D717,094 S * 11/2014 Chung D7/334
D791,527 S * 7/2017 Jaggard D7/334
D796,655 S * 9/2017 Horne, III D23/336
D812,957 S * 3/2018 McGuinness D7/334
D822,436 S * 7/2018 Wereszynski D7/409
D825,975 S * 8/2018 Jaggard D7/334
D828,071 S * 9/2018 Dutruel D7/332
10,130,212 B2 * 11/2018 Lopez A47J 37/0704
D862,967 S * 10/2019 Workman D7/332
D904,115 S * 12/2020 Hunsaker D7/409
D914,431 S * 3/2021 Ma D7/334
D914,433 S * 3/2021 Chung D7/337
D927,659 S * 8/2021 Stoltzfus D23/332
D933,413 S * 10/2021 Simpson D7/332
2004/0031477 A1 * 2/2004 Yeh A47J 37/0694
126/25 R
2005/0155496 A1 * 7/2005 Lu A47J 37/0704
99/419
2008/0264403 A1 * 10/2008 Kurt A47J 37/0745
126/25 AA
2009/0020108 A1 * 1/2009 Chiang A47J 37/0704
126/25 R
2009/0064988 A1 * 3/2009 Chiang A47J 37/0786
126/25 R
2009/0194091 A1 * 8/2009 Dong A47J 36/06
126/25 R
2013/0206015 A1 * 8/2013 Jacoby A47J 37/07
99/330
2013/0206132 A1 * 8/2013 Simms, II B23P 19/04
126/25 R
2014/0026766 A1 * 1/2014 Goff, IV A47J 37/0786
99/445
2014/0130788 A1 * 5/2014 Contarino, Jr. A47J 37/067
126/25 R
2014/0165993 A1 * 6/2014 Ahmed A47J 37/0704
126/25 R
2015/0075514 A1 * 3/2015 Kuenzinger A47J 37/0763
126/25 A

2016/0029841 A1 * 2/2016 Walker F24B 1/205
99/445
2016/0338536 A1 * 11/2016 Witsch A47J 37/0786
2017/0348654 A1 * 12/2017 Ghazarian A47J 37/0786
2018/0055284 A1 * 3/2018 Dacic A47J 37/0786
2018/0098660 A1 * 4/2018 Springman A47J 37/0772
2018/0177335 A1 * 6/2018 Polaczek A47J 37/0786
2019/0125128 A1 * 5/2019 DeGidio A47J 37/079
2019/0134580 A1 * 5/2019 Ghazarian B01F 15/00331
2020/0178730 A1 * 6/2020 Ghazarin F23B 30/02
2020/0281405 A1 * 9/2020 Feng F24C 15/023
2021/0037838 A1 * 2/2021 Mills, Jr. A47J 37/0704
2021/0038022 A1 * 2/2021 Gippert A23B 4/052
2021/0215342 A1 * 7/2021 Hunt A47J 37/0704
2021/0282592 A1 * 9/2021 Jan A47J 37/0704

FOREIGN PATENT DOCUMENTS

EM 000711023-0001 * 5/2007
EM 007362652-0003 * 2/2020
EM 007362652-0004 * 2/2020
EM 007362652-0009 * 2/2020
IL 41415 * 9/2007

OTHER PUBLICATIONS

Circle J Fabrication, Inc_ [online] URL: https://web.archive.org/web/20180413073434/http://circlejfirepits.com/doublecook_product_page?value_key=DCT72 (site visited: Nov. 3, 2021) (Year: 2018).*
Review of Outdoor Cooking set up [online] URL: <https://www.youtube.com/watch?v=hxM0H0z-sww> (site visited: Nov. 3, 2021) (Year: 2018).*
RiverGrille Cowboy 31 in. Charcoal Grill and Fire Pit with Rotisserie [online] URL: <https://us.amazon.com/RiverGrille-Cowboy-31-Charcoal-Rotisserie/dp/B01DJXUKEK> (site visited: Nov. 3, 2021) (Year: 2019).*
Cowboy Fire Pit Grill—30_ —Barebones [online] URL: <https://barebonesliving.com/products/cowboy-fire-pit-grill-30> (site visited: Nov. 3, 2021) (Year: 2020).*
RedHead Cowboy Fire Pit Grill _ Cabela's [online] URL: https://www.cabelas.com/shop/en/redhead-cowboy-fire-pit-grill?ds_e=GOOGLE&ds_c=Shop%7CGeneric%7CAllProducts%7CHigh%7CSSCCatchAll&gclid=EA1a1QobChMI-Ljuv8r98wIVwwsGAB3JEAvyEAQYASABEgKb3PD_BwE&gclsrc=aw.ds (site visited: Nov. 3, 2021) (Year: 2021).*

* cited by examiner

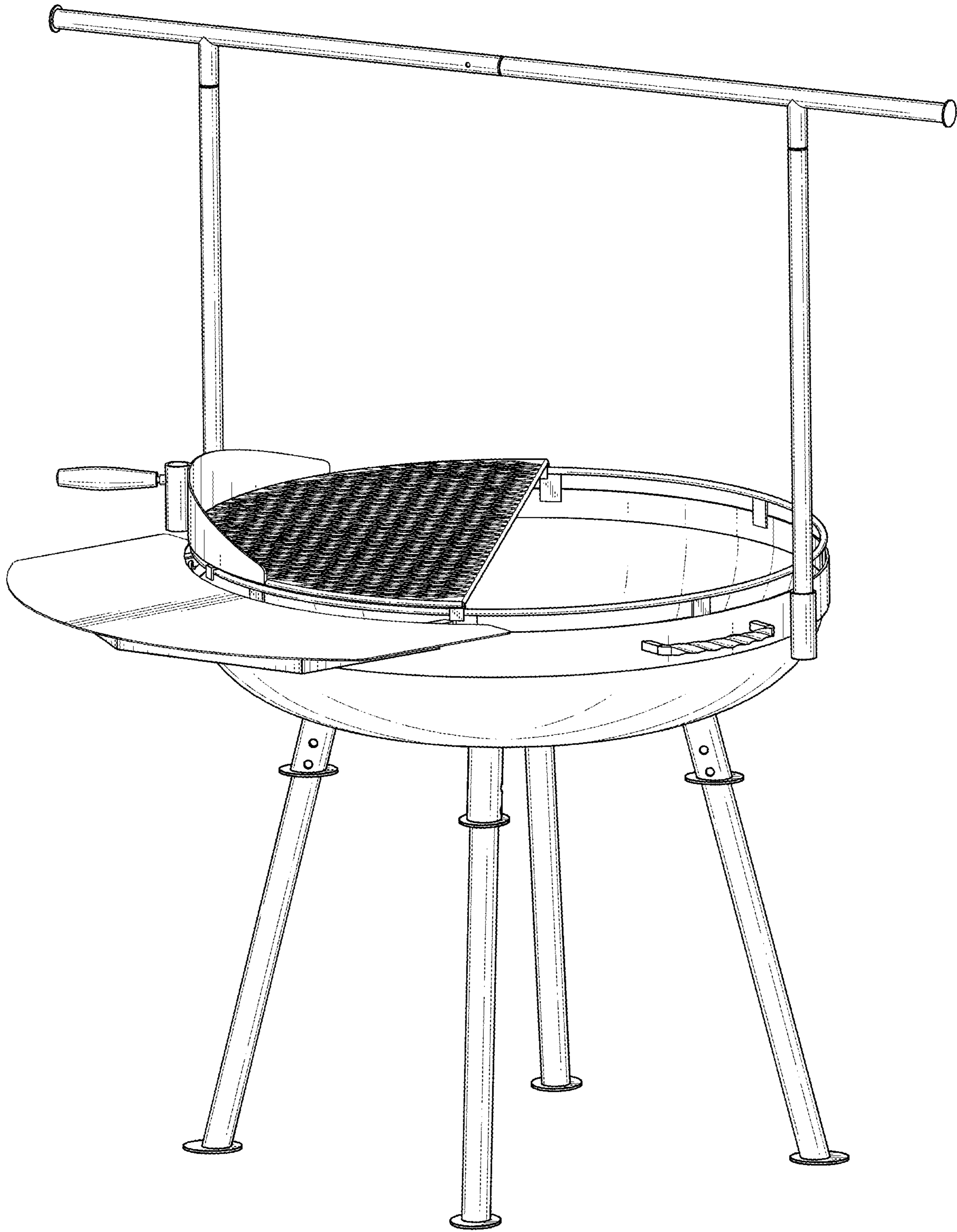


FIG. 1

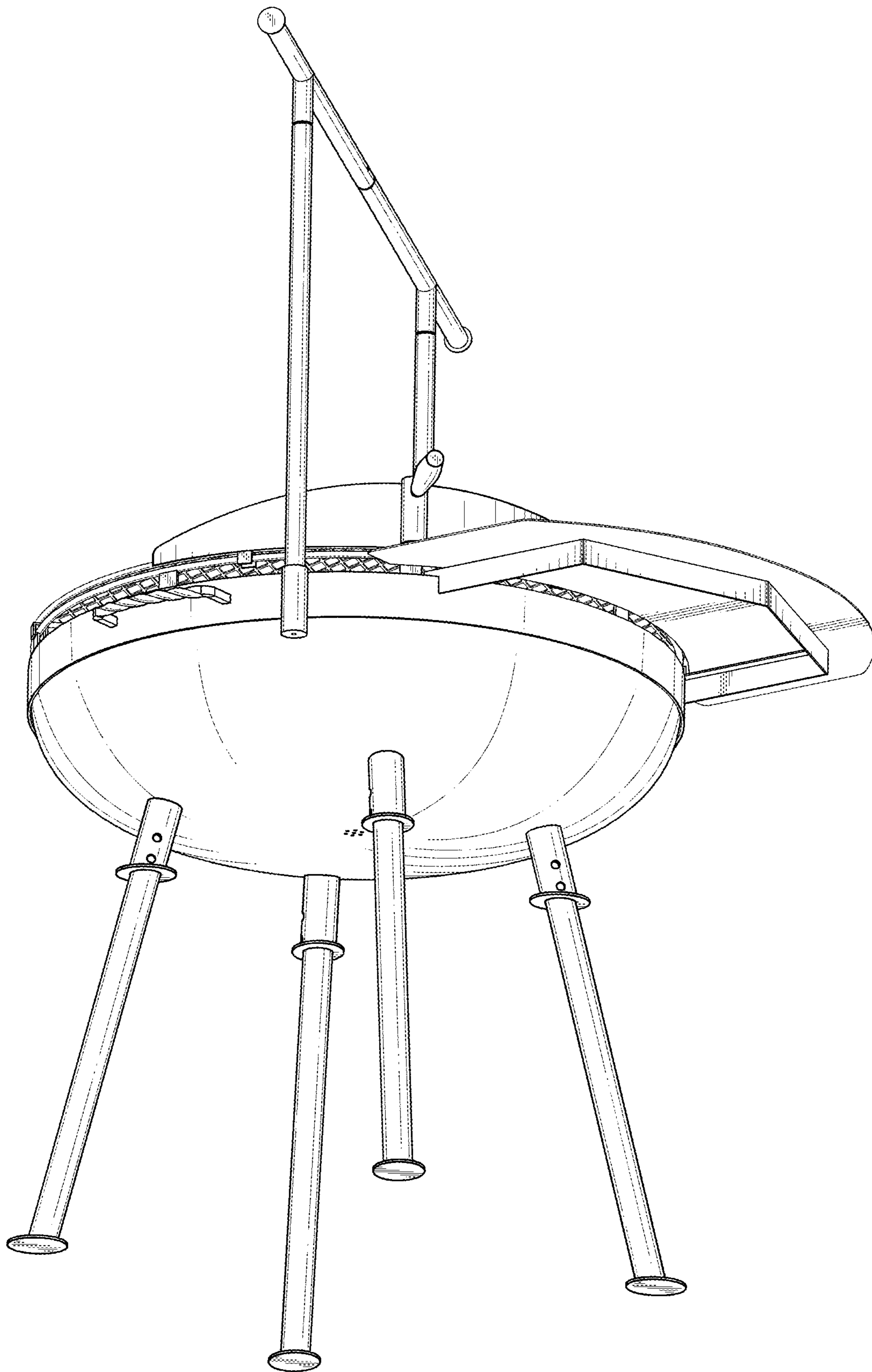


FIG. 2

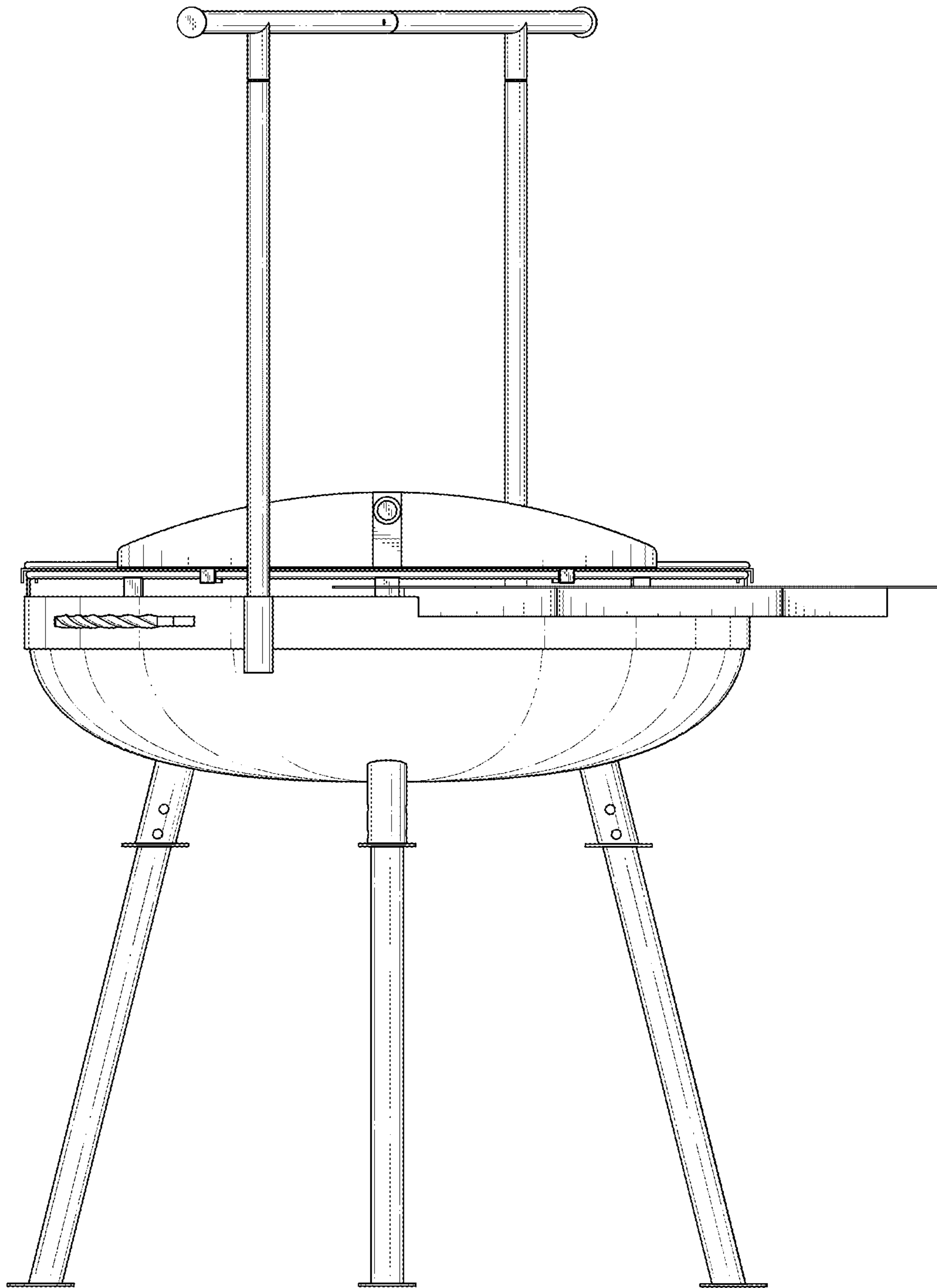


FIG. 3

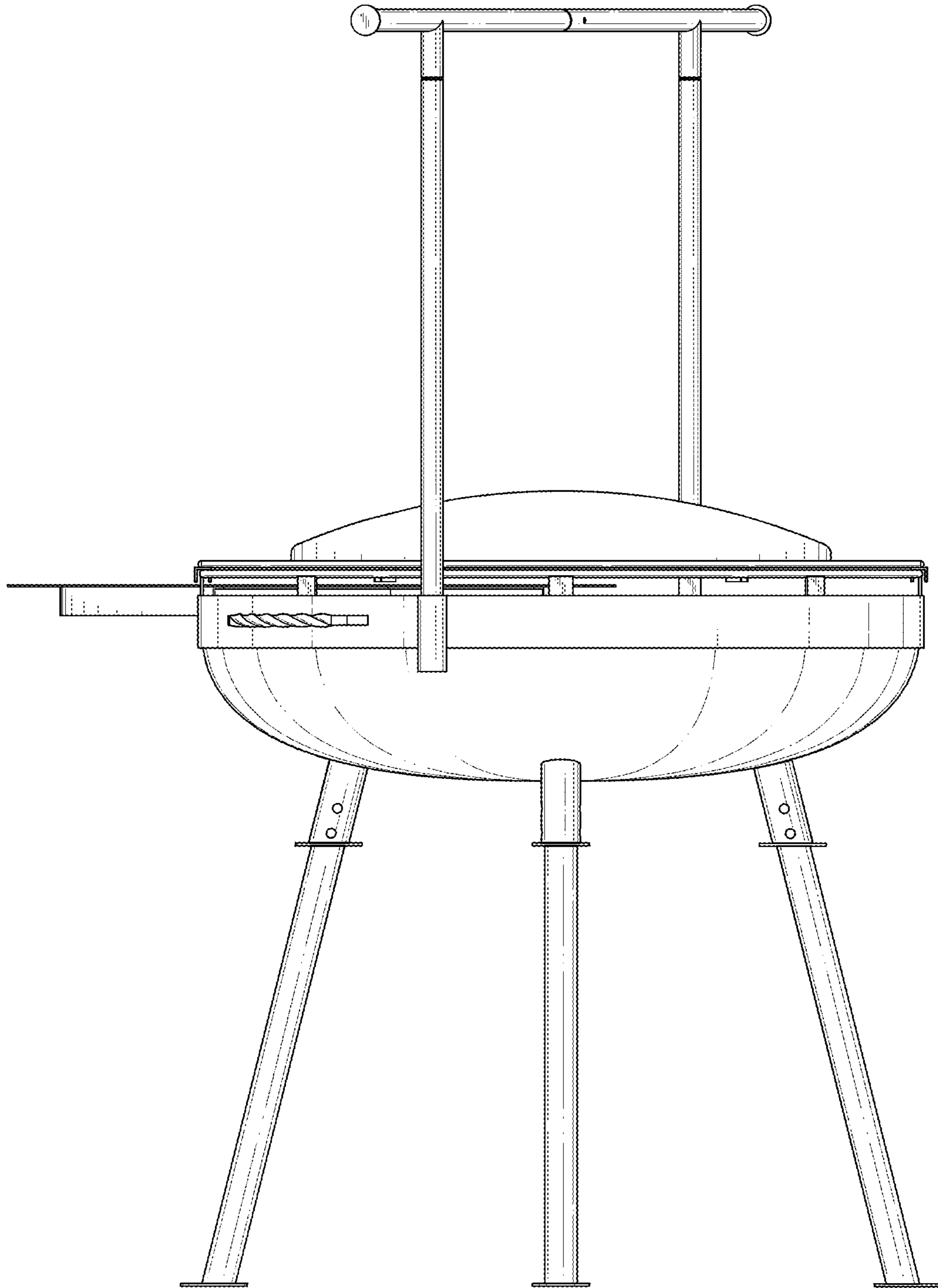


FIG. 4

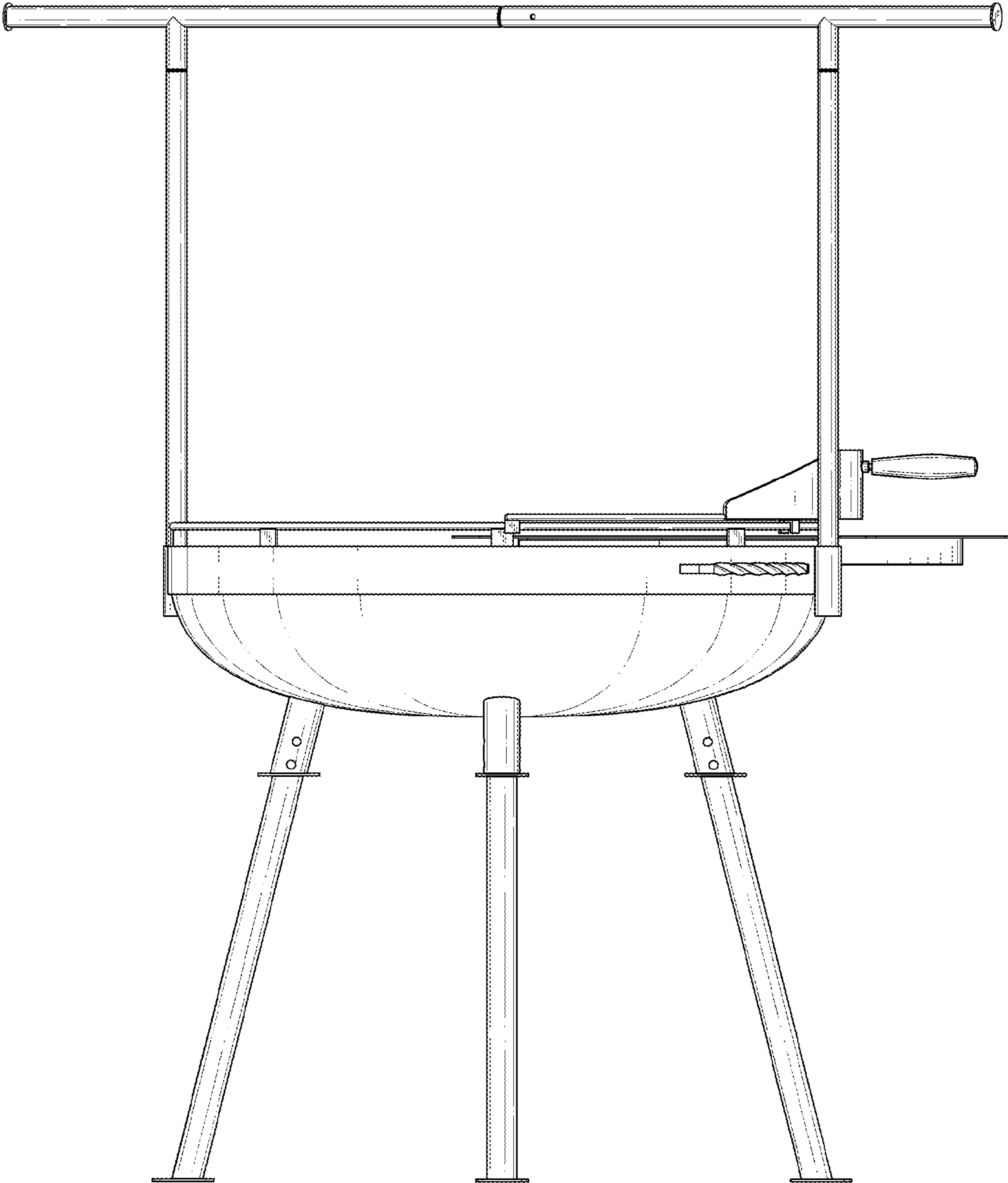


FIG. 5

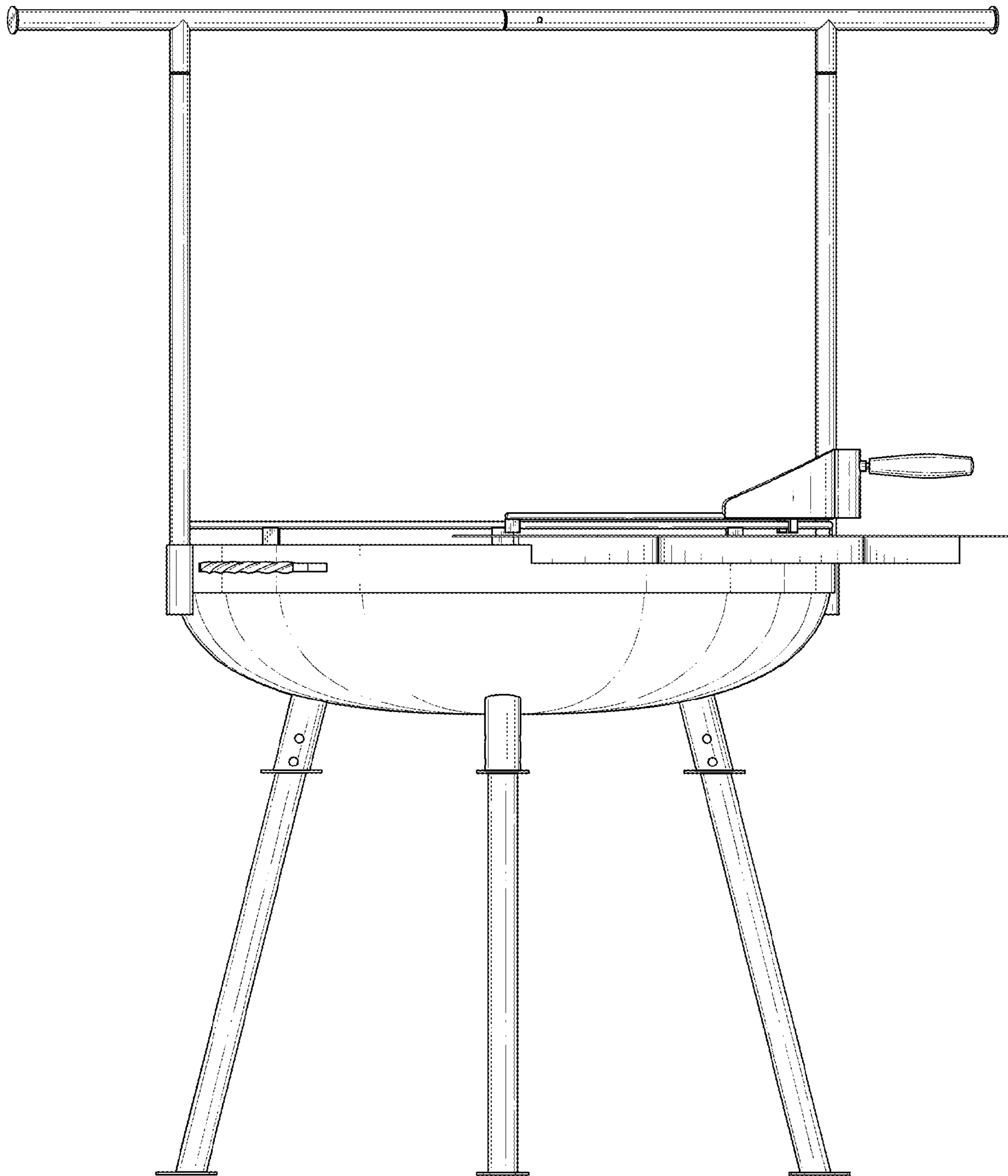


FIG. 6

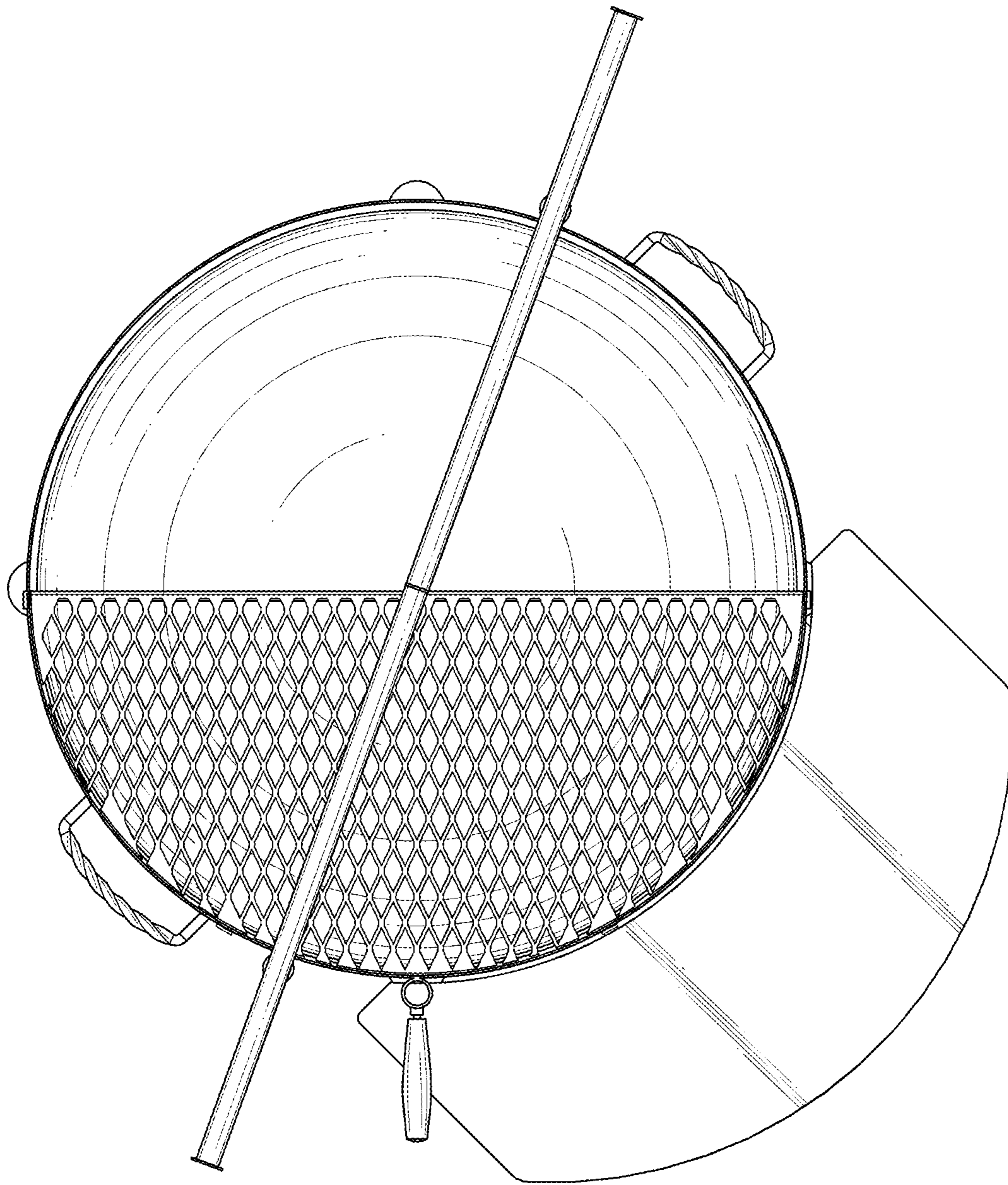


FIG. 7

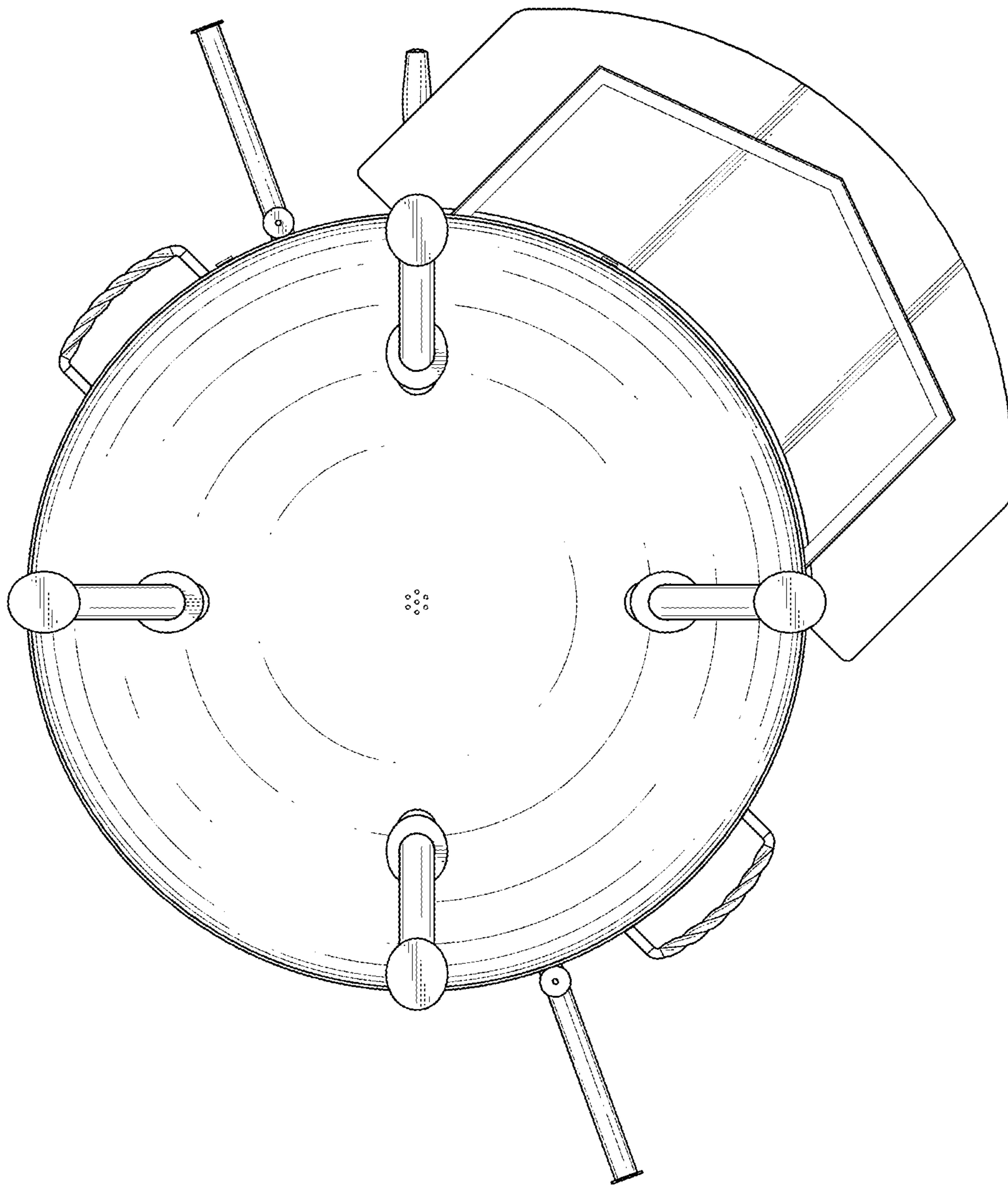


FIG. 8