



US00D946959S

(12) **United States Design Patent**
Dou et al.

(10) **Patent No.:** **US D946,959 S**
(45) **Date of Patent:** **** Mar. 29, 2022**

(54) **WATER TANK**

(71) Applicant: **BEIJING XIAOMI MOBILE SOFTWARE CO., LTD.**, Beijing (CN)

(72) Inventors: **Wenbo Dou**, Beijing (CN); **Ningning Li**, Beijing (CN); **Lei Zhang**, Beijing (CN); **Yao Xi**, Beijing (CN)

(73) Assignee: **Beijing Xiaomi Mobile Software Co., Ltd.**, Beijing (CN)

(**) Term: **15 Years**

(21) Appl. No.: **35/510,325**

(22) Filed: **Mar. 10, 2020**

(80) **Hague Agreement Data**

Int. Filing Date: **Mar. 10, 2020**

Int. Reg. No.: **DM/206772**

Int. Reg. Date: **Mar. 10, 2020**

Int. Reg. Pub. Date: **Sep. 18, 2020**

(30) **Foreign Application Priority Data**

Sep. 16, 2019 (CN) 201930507940.3

(51) **LOC (13) Cl.** **07-01**

(52) **U.S. Cl.**
USPC **D7/311**

(58) **Field of Classification Search**
USPC D7/300, 306, 309, 311, 399; D23/202, D23/209

CPC A47J 31/00; A47J 31/005; A47J 31/02
See application file for complete search history.

(56) **References Cited**

U.S. PATENT DOCUMENTS

D573,392 S * 7/2008 Smith D7/306
D603,932 S * 11/2009 Natrass D23/202

D636,214 S * 4/2011 Parker D7/306
D648,971 S * 11/2011 Goralski D7/306
D669,154 S * 10/2012 Choi D23/207
D676,701 S * 2/2013 Chung D7/307
D777,498 S * 1/2017 Bandixen D7/306
D815,481 S * 4/2018 Wendt D7/306
D853,772 S * 7/2019 Park D7/307
D876,866 S * 3/2020 Haas D7/306
D913,613 S * 3/2021 Kim D32/25
2016/0120360 A1 * 5/2016 Saunders A47J 31/462
99/295
2017/0050836 A1 * 2/2017 Yoon B67D 1/0864

* cited by examiner

Primary Examiner — Karen S Acker

Assistant Examiner — Steven B Reinholdt, Jr.

(74) *Attorney, Agent, or Firm* — Amster, Rothstein & Ebenstein LLP

(57) **CLAIM**

The ornamental design for a water tank, as shown and described.

DESCRIPTION

FIG. 1.1 is a front view of a water tank showing the new design;

FIG. 1.2 is a back view of the water tank;

FIG. 1.3 is a left view of the water tank, while the right view of the same is symmetrical with the left view and is thereby omitted;

FIG. 1.4 is a top view of the water tank;

FIG. 1.5 is a bottom view of the water tank;

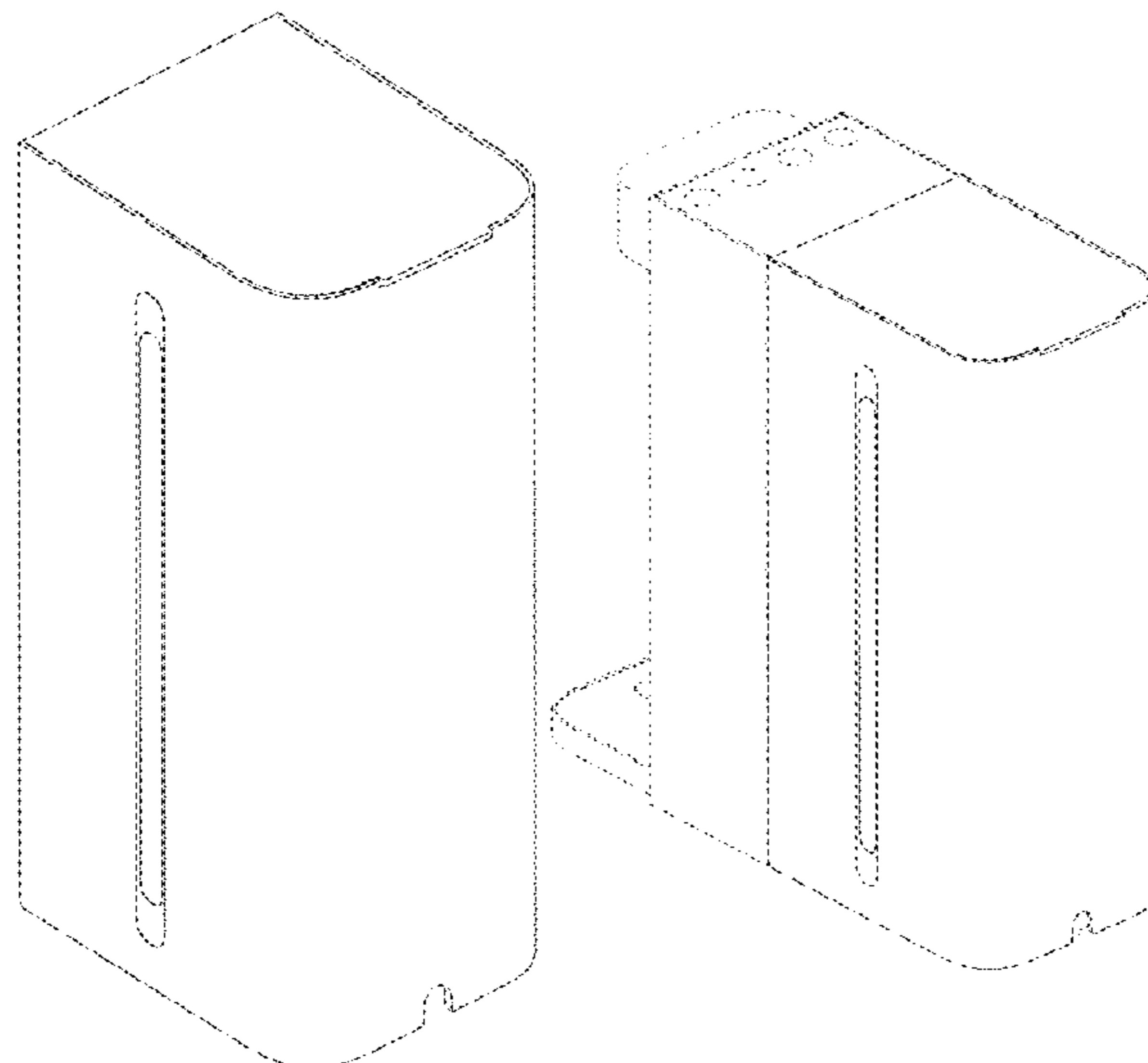
FIG. 1.6 is a perspective view of the water tank;

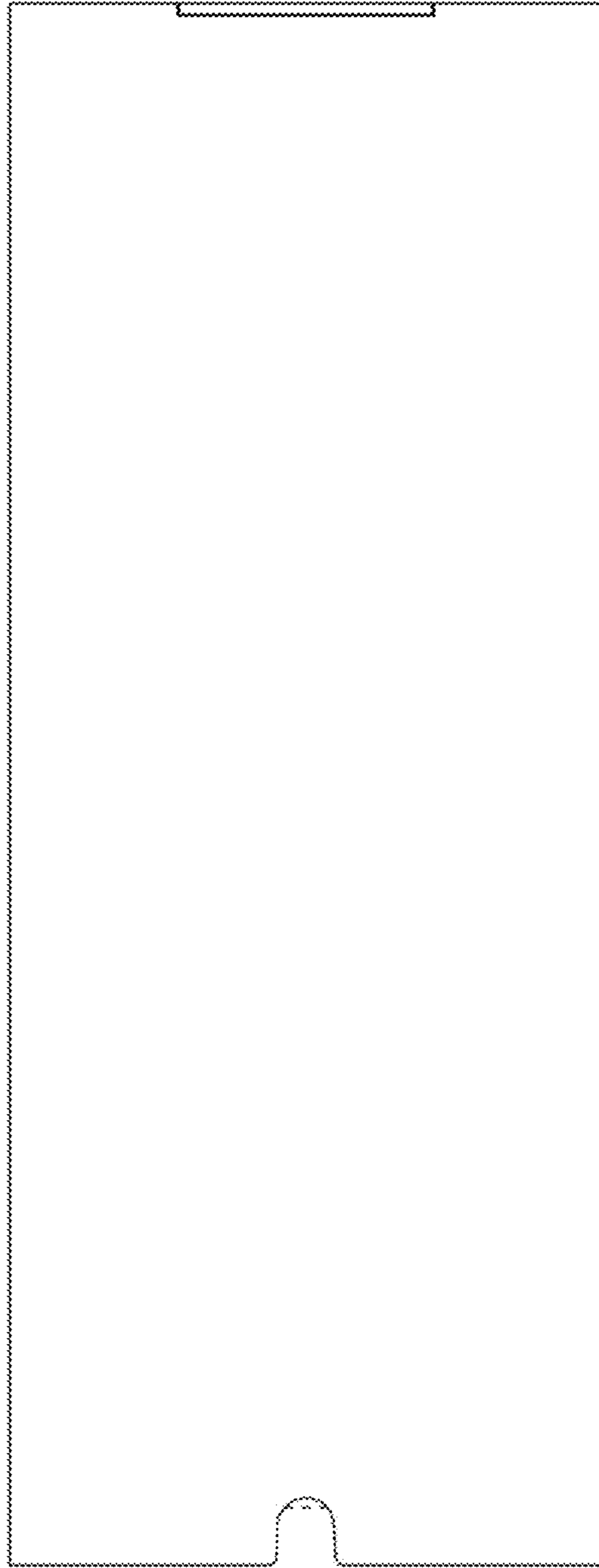
FIG. 1.7 is another perspective view of the water tank; and FIG. 1.8 is a reference view illustrating a usage state thereof in a drinking water bar.

The broken lines in FIGS. 1.1, 1.2, 1.5 and 1.7 depict portions of the water tank that form no part of the claimed design.

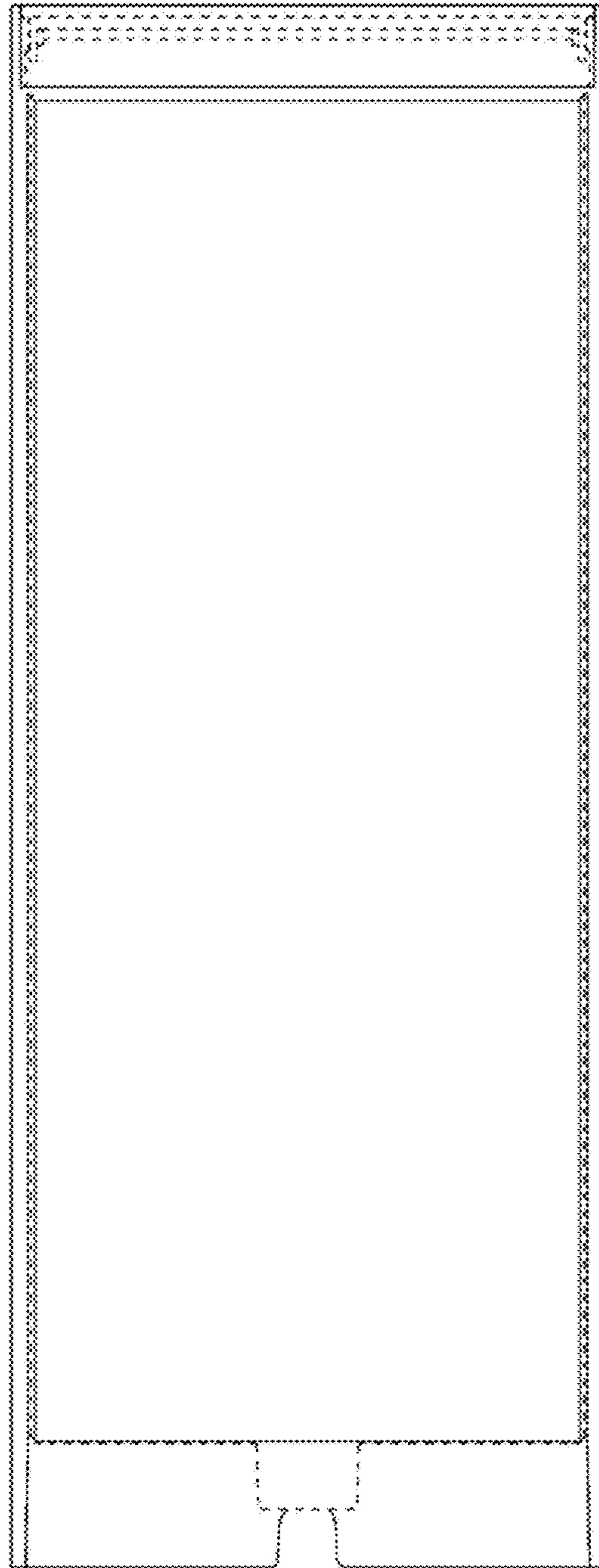
The broken lines in FIG. 1.8 depict environmental subject matter that forms no part of the claimed design.

1 Claim, 8 Drawing Sheets

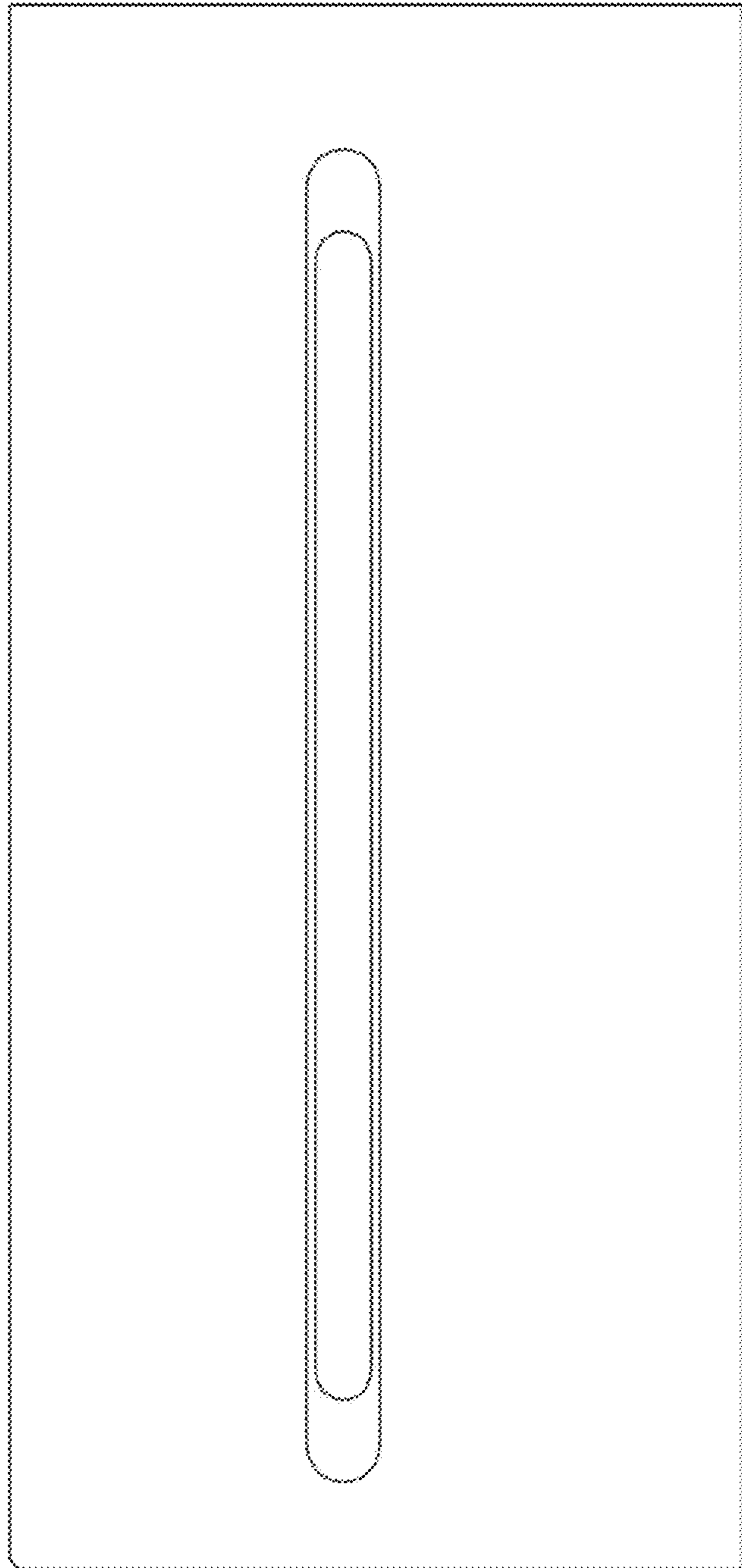




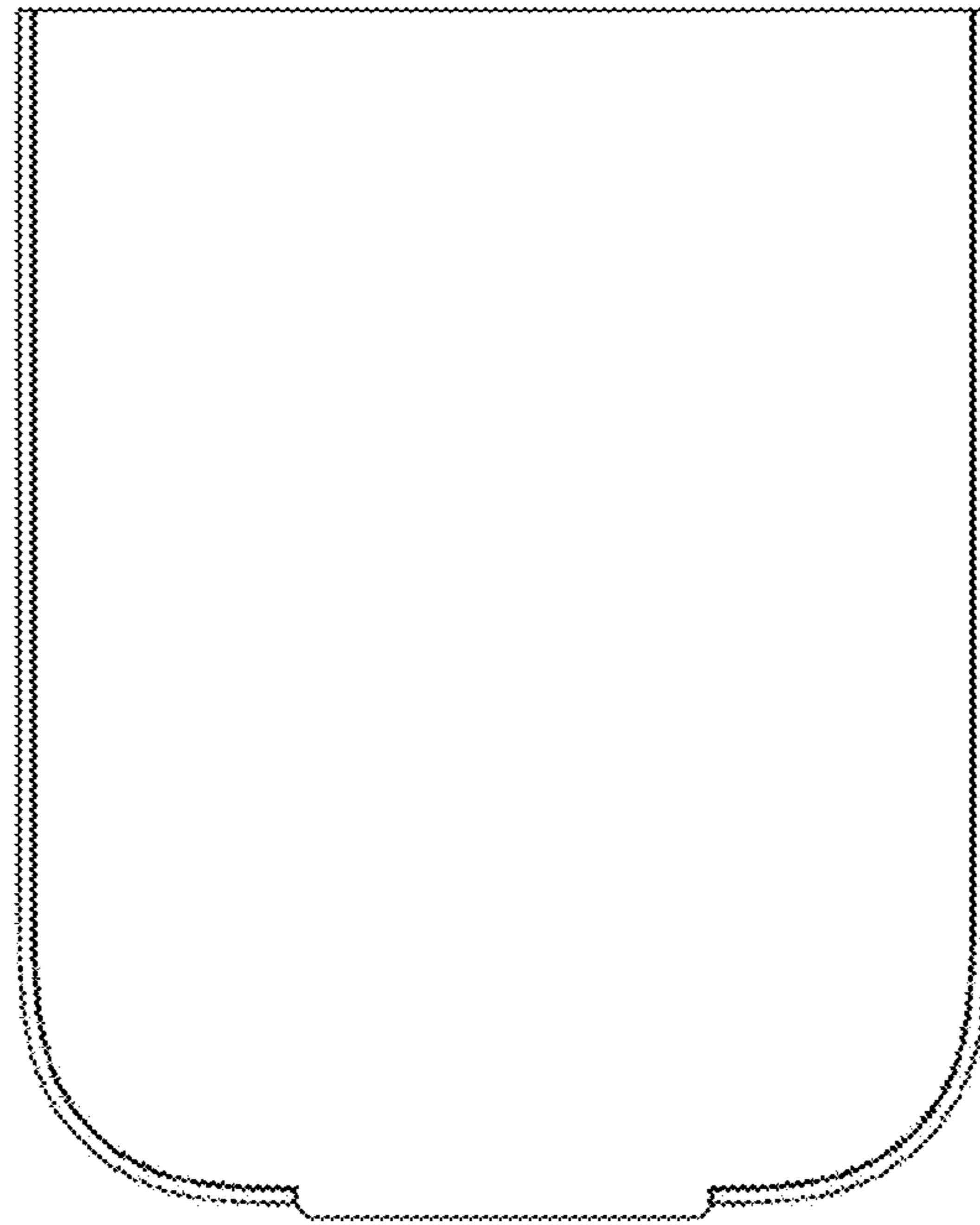
1.1



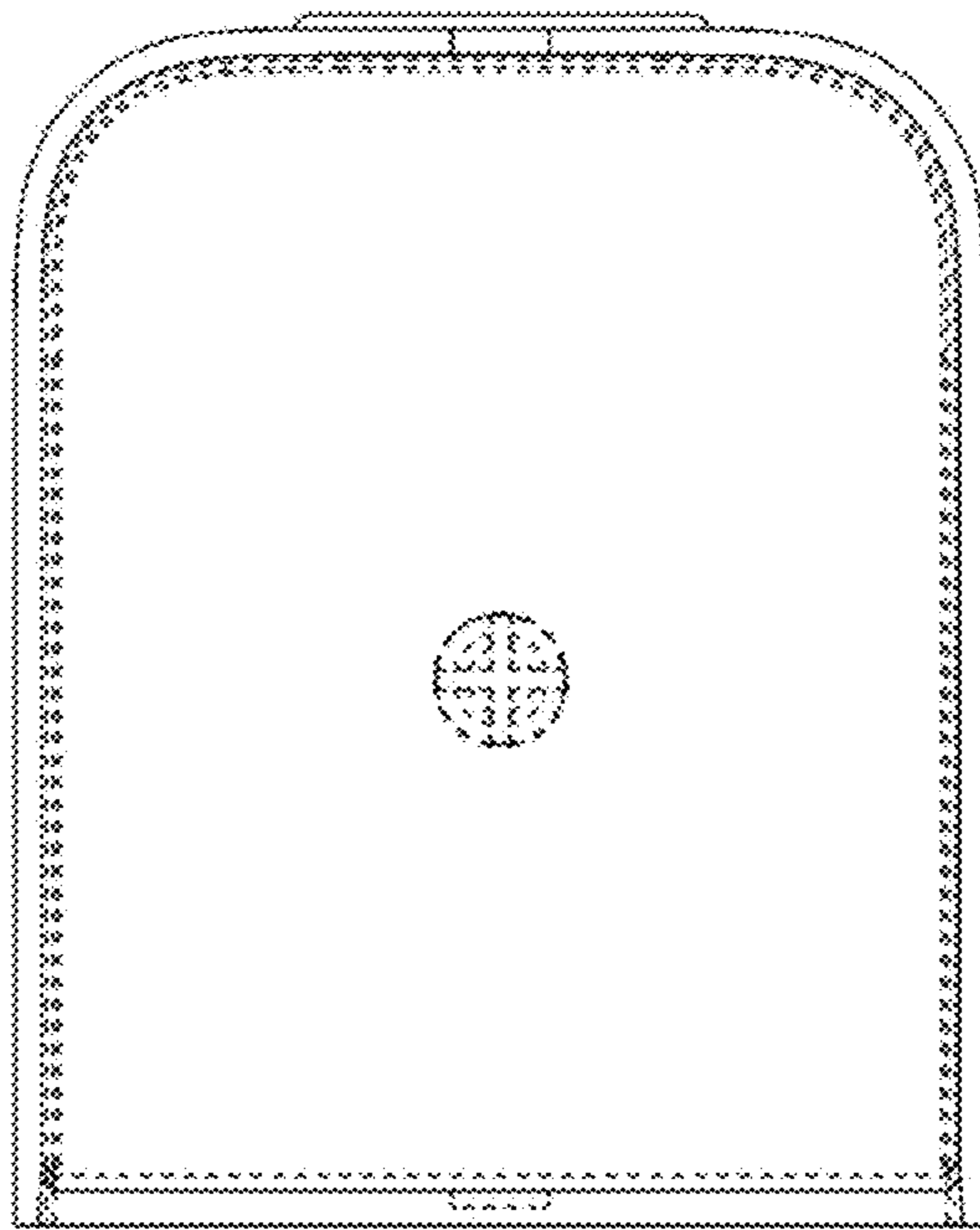
1.2



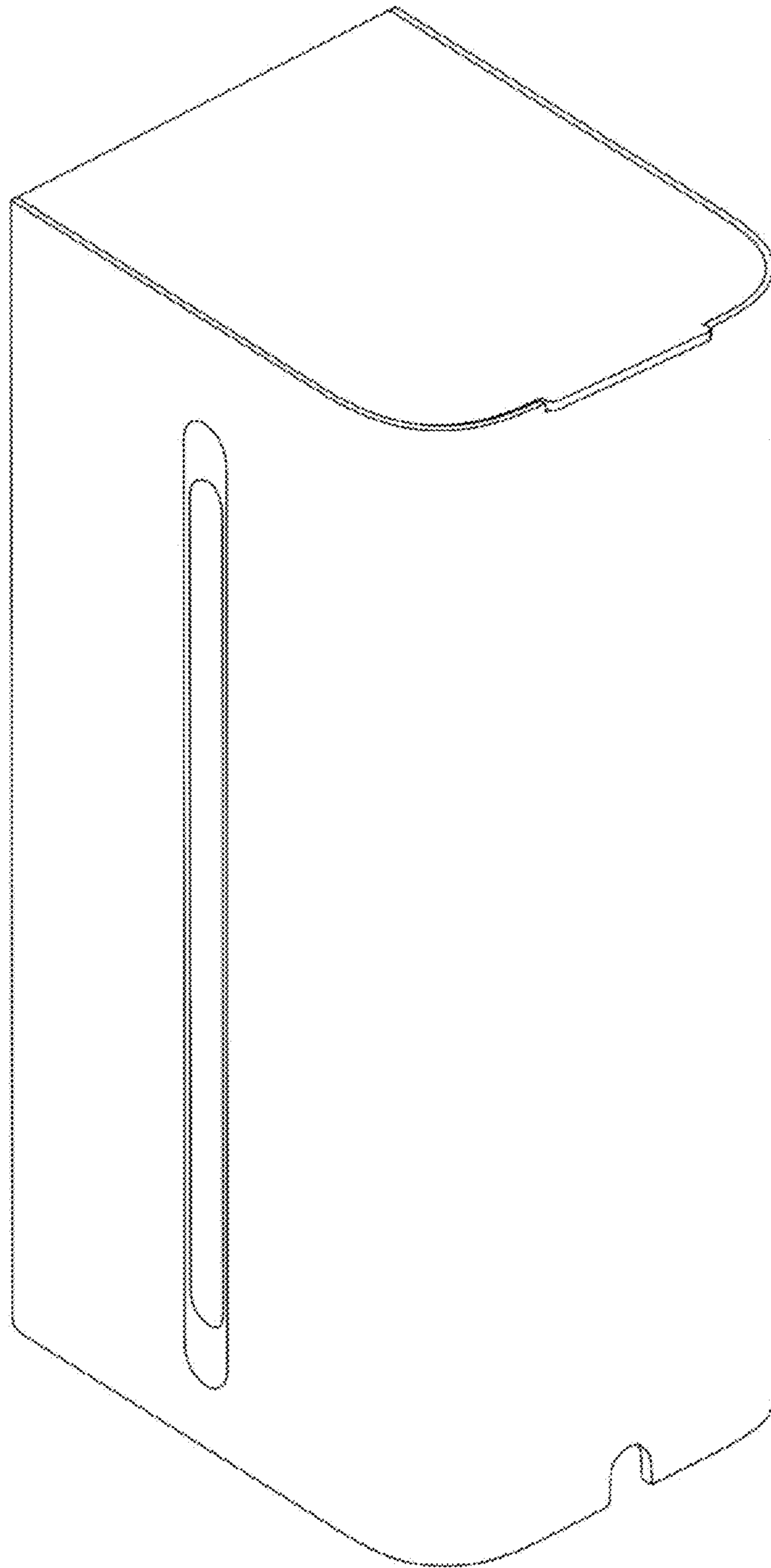
1.3



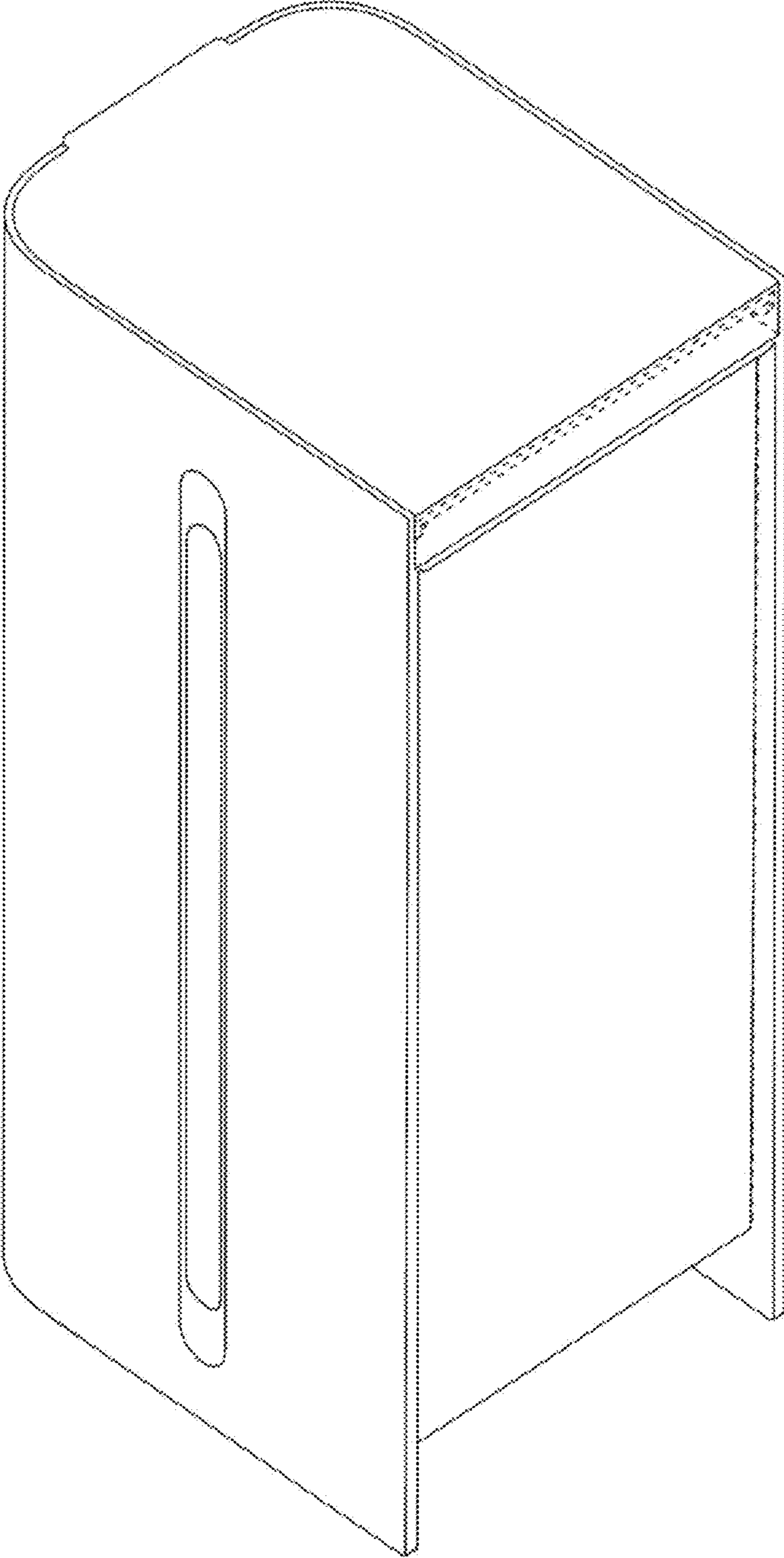
1.4



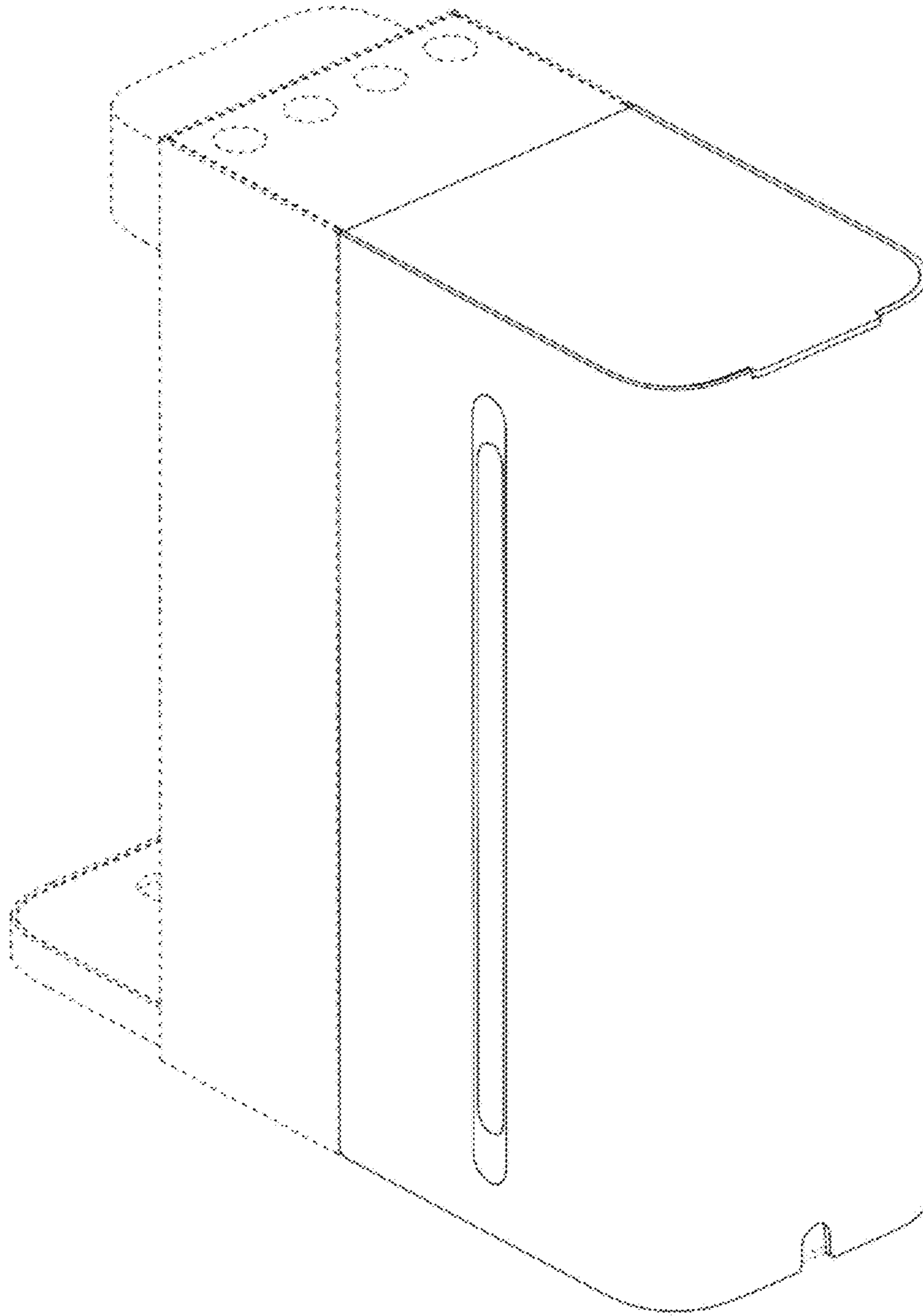
1.5



1.6



1.7



1.8