



US00D946958S

(12) **United States Design Patent**  
**Hardy et al.**

(10) **Patent No.:** **US D946,958 S**  
(45) **Date of Patent:** **\*\* Mar. 29, 2022**

(54) **CAPSULE MACHINE**

- (71) Applicant: **BREVILLE PTY LIMITED**,  
Alexandria (AU)
- (72) Inventors: **Chris Hardy**, Alexandria (AU);  
**Richard Hoare**, Alexandria (AU);  
**David Davenport**, Alexandria (AU);  
**Gerard White**, Alexandria (AU)
- (73) Assignee: **BREVILLE PTY LIMITED**,  
Alexandria (AU)

(\*\*) Term: **15 Years**

(21) Appl. No.: **29/703,998**

(22) Filed: **Aug. 30, 2019**

(30) **Foreign Application Priority Data**

Jul. 29, 2019 (AU) ..... 201914220

(51) **LOC (13) Cl.** ..... **07-02**

(52) **U.S. Cl.**  
USPC ..... **D7/309**

(58) **Field of Classification Search**  
USPC ..... D7/300, 304–322, 372–373, 376,  
D7/397–401, 415; D20/4, 5; D23/201,  
D23/207, 366; D24/216–217, 219, 224;  
99/292, 293  
CPC ..... A47J 31/00; A47J 31/002; A47J 31/04;  
A47J 31/043; A47J 31/057; A47J 31/007;  
A47J 31/10; A47J 31/14; A47J 31/40;  
A47J 31/407; A47J 31/42; B67D 1/00;  
B67D 1/0043

See application file for complete search history.

(56) **References Cited**

**U.S. PATENT DOCUMENTS**

- D301,951 S \* 7/1989 Carlson ..... D7/397
- D585,692 S \* 2/2009 Borin ..... D7/309
- D752,455 S \* 3/2016 Davenport ..... D10/60
- D817,059 S \* 5/2018 McColl ..... D7/309

(Continued)

**OTHER PUBLICATIONS**

Creatista Pro—Coffee Preparation, first available Sep. 30, 2019, YouTube, [online], [site visited Jun. 18, 2021], Available from internet URL: <https://www.youtube.com/watch?v=R5zQ6MQyoQw> (Year: 2019).\*

(Continued)

*Primary Examiner* — Christian P. McLean

*Assistant Examiner* — Natalya M Rapundalo

(74) *Attorney, Agent, or Firm* — Moser Taboada

(57) **CLAIM**

The ornamental design for a capsule machine, as shown and described.

**DESCRIPTION**

FIG. 1 is an isometric view of a design of a capsule machine, according to a first embodiment of the invention.

FIG. 2 is a front view of the design shown in FIG. 1.

FIG. 3 is a right side view of the design shown in FIG. 1.

FIG. 4 is a rear view of the design shown in FIG. 1.

FIG. 5 is a left side view of the design shown in FIG. 1.

FIG. 6 is a top view of the design shown in FIG. 1.

FIG. 7 is a bottom view of the design shown in FIG. 1.

FIG. 8 is an isometric view of a design of a capsule machine, according to a second embodiment of the invention.

FIG. 9 is a front view of the design shown in FIG. 8.

FIG. 10 is a right side view of the design shown in FIG. 8.

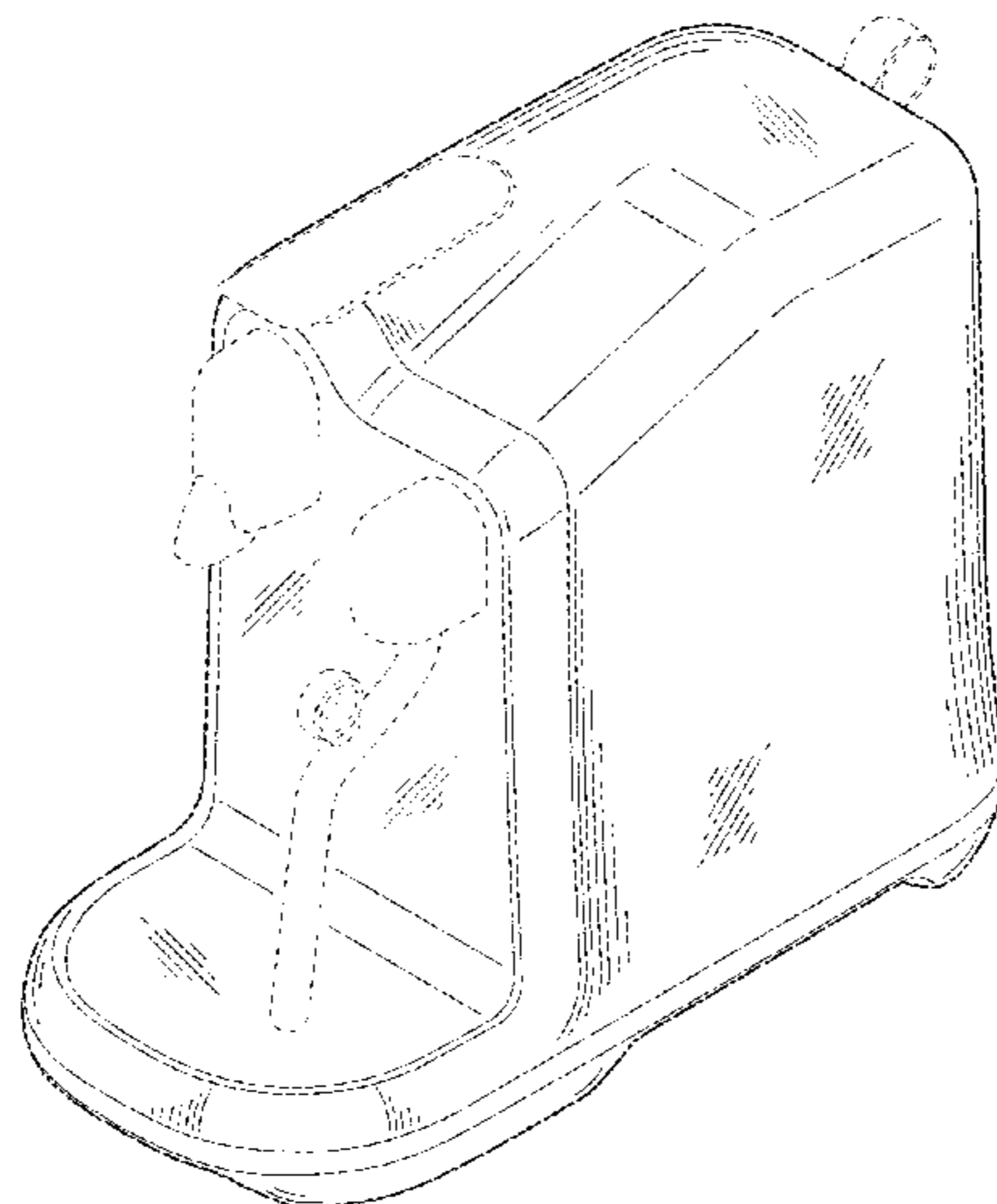
FIG. 11 is a rear view of the design shown in FIG. 8.

FIG. 12 is a left side view of the design shown in FIG. 8.

FIG. 13 is a top view of the design shown in FIG. 8; and, FIG. 14 is a bottom view of the design shown in FIG. 8.

The broken lines in the drawings represent portions of the capsule machine and form no part of the claimed design.

**1 Claim, 14 Drawing Sheets**



(56)

**References Cited**

U.S. PATENT DOCUMENTS

D817,060 S \* 5/2018 McColl ..... D7/309  
D853,773 S \* 7/2019 Harrod ..... D7/309  
D888,488 S \* 6/2020 McColl ..... D7/309  
D894,658 S \* 9/2020 Davenport ..... D7/309  
D919,358 S \* 5/2021 Fung ..... D7/386  
2021/0338005 A1\* 11/2021 Grassia ..... A47J 31/4489

OTHER PUBLICATIONS

The Creatista Pro, Breville, [online], [site visited Jun. 18, 2021],  
Available from internet URL: [https://www.breville.com/us/en/  
products/nespresso/bne900.html](https://www.breville.com/us/en/products/nespresso/bne900.html) (Year: 2021).\*

\* cited by examiner

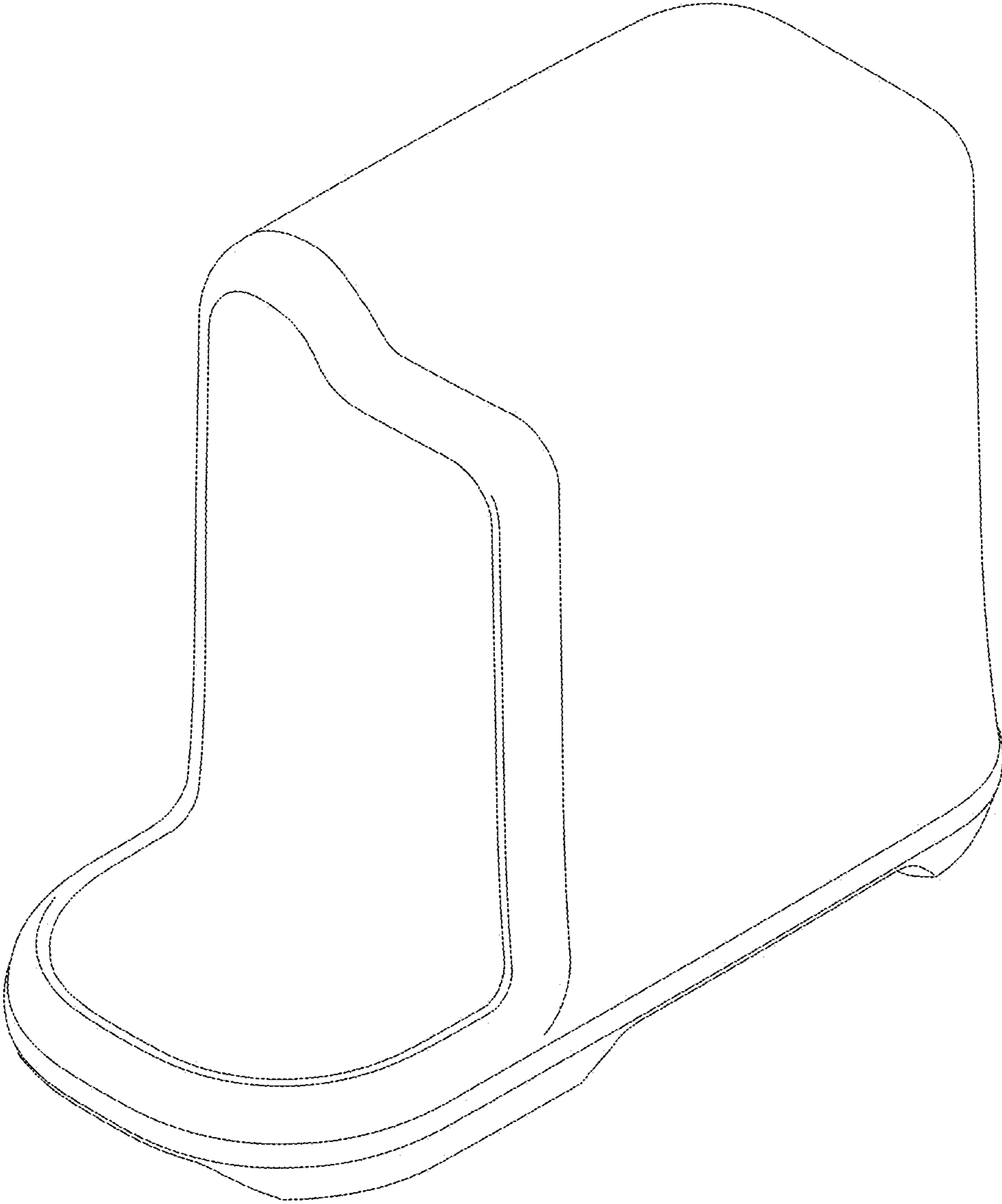


FIG. 1

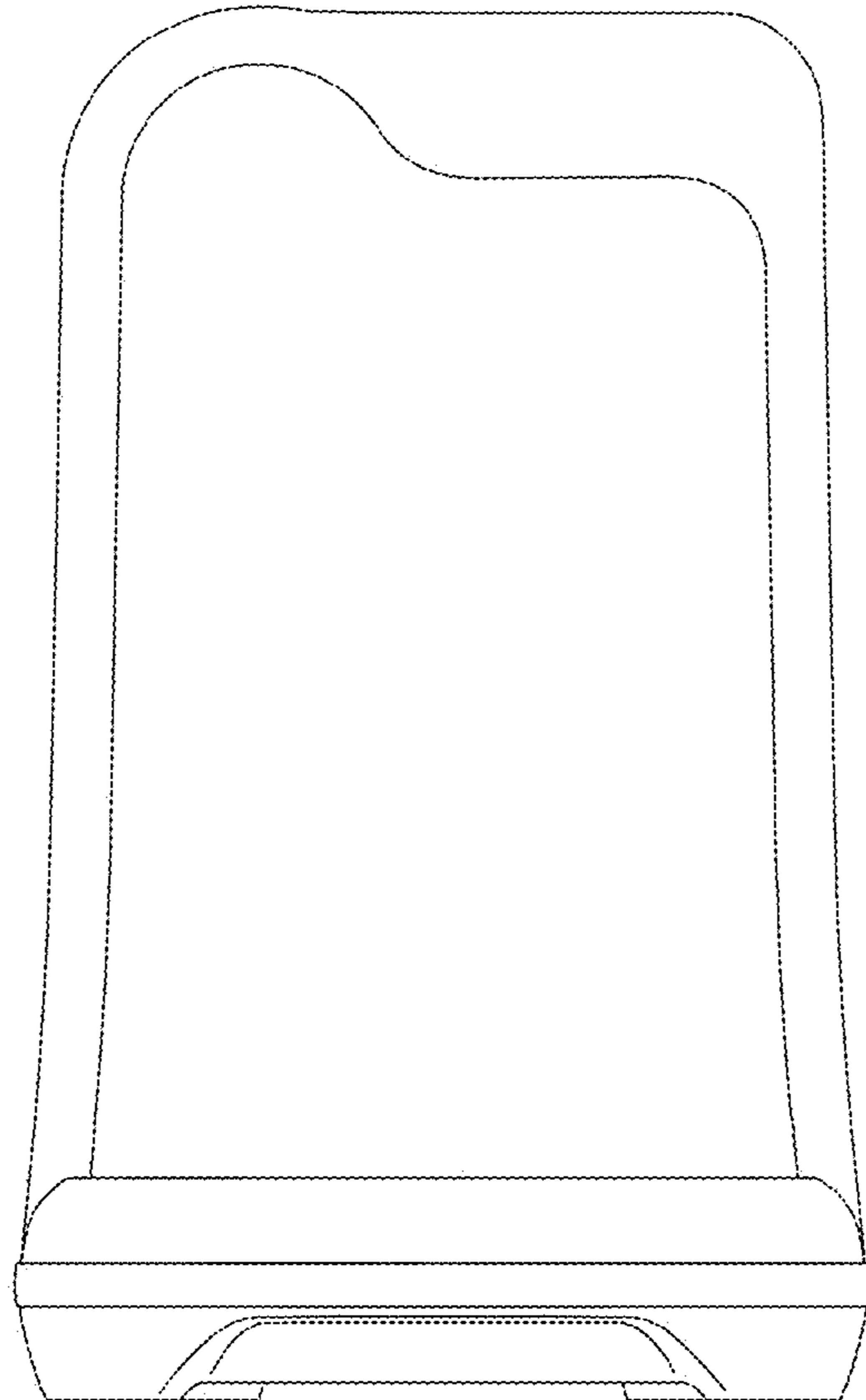


FIG. 2

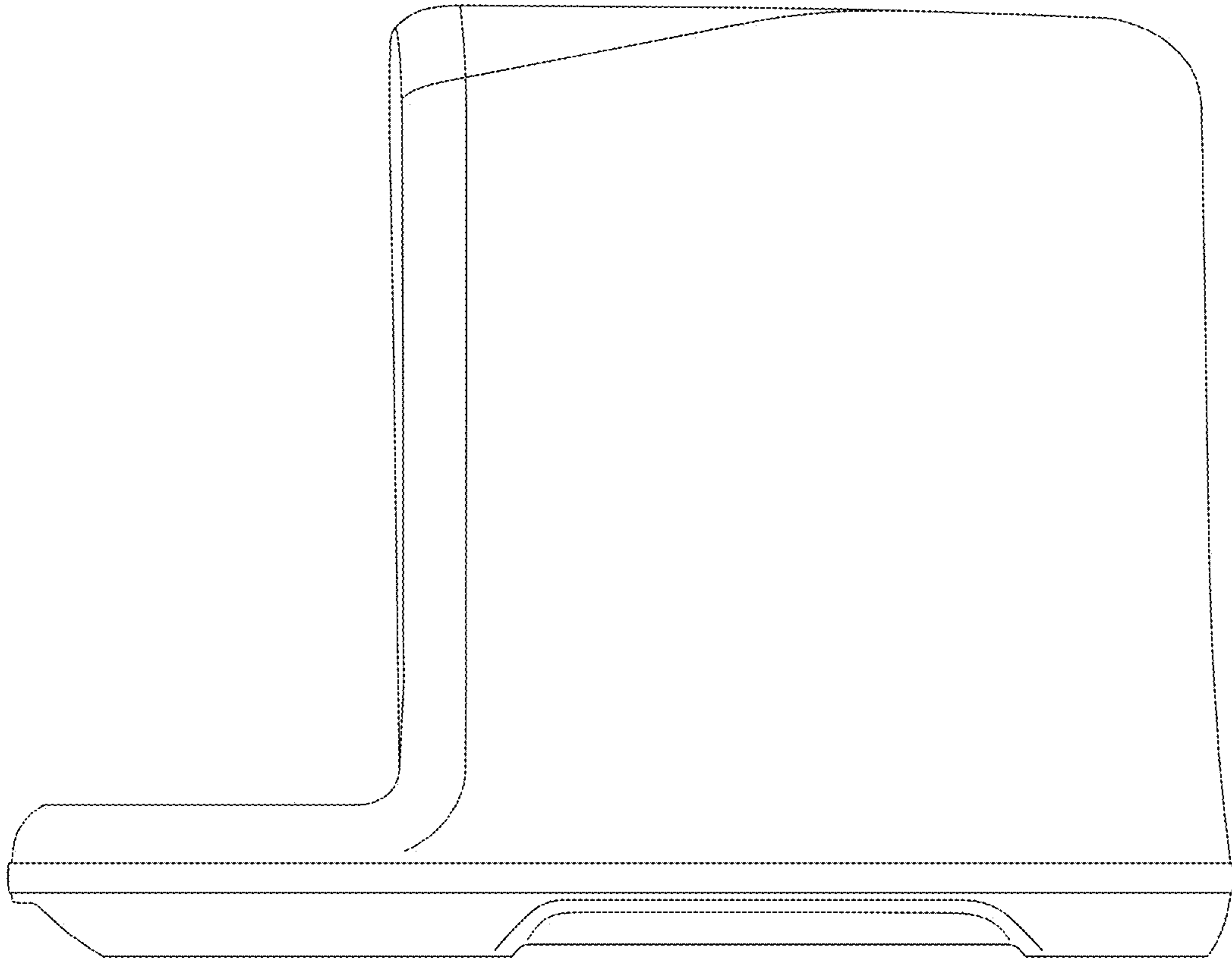


FIG. 3

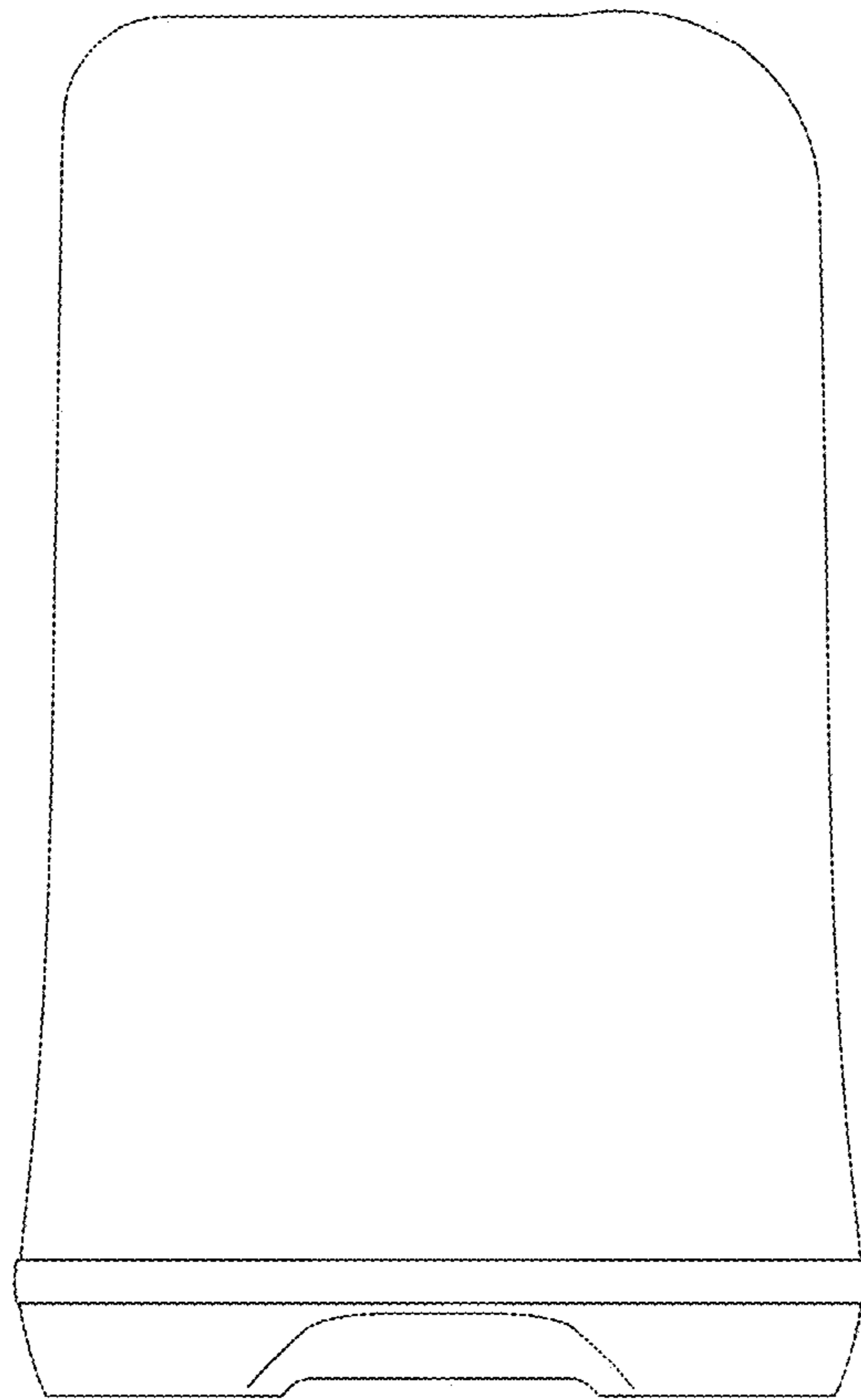


FIG. 4

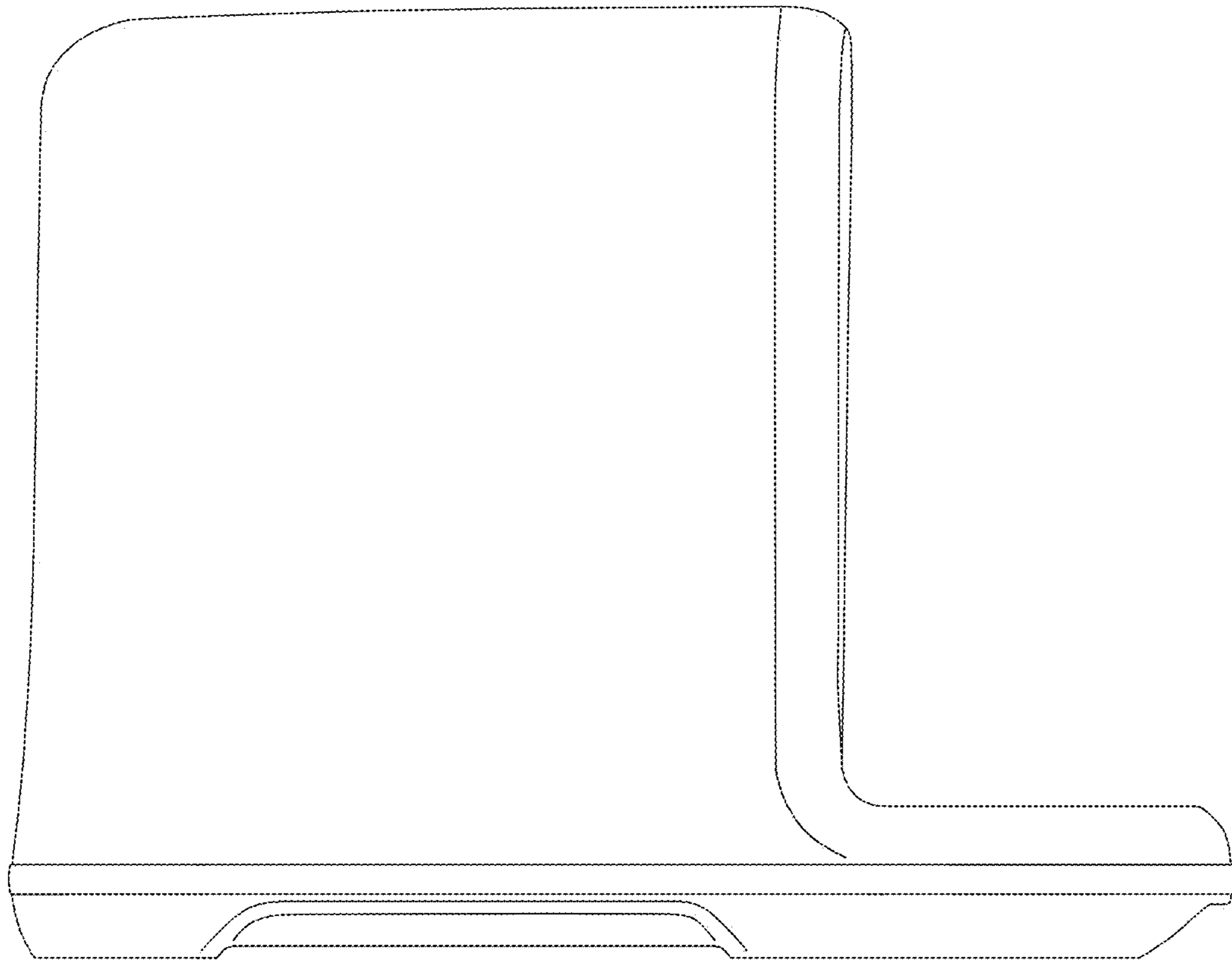


FIG. 5

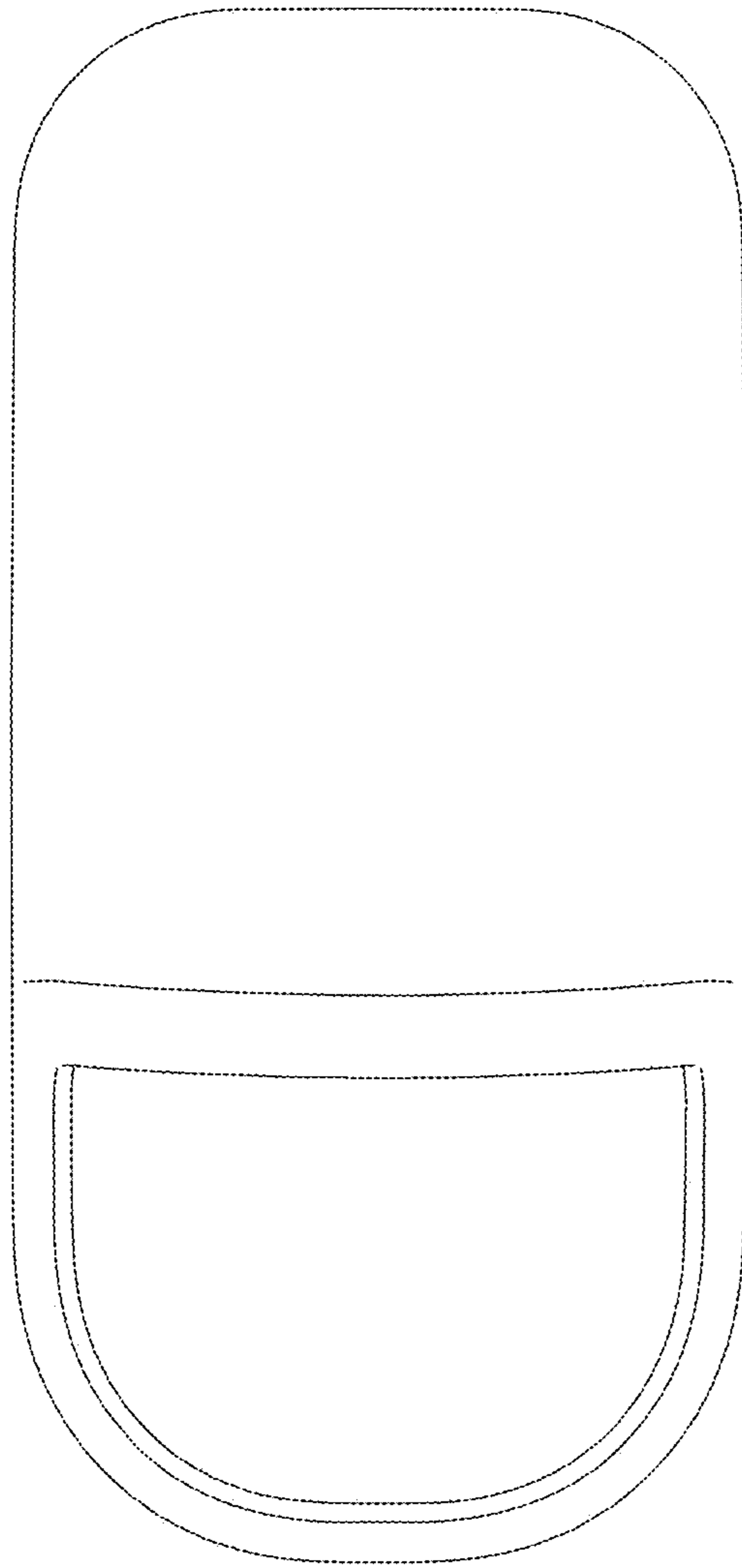


FIG. 6



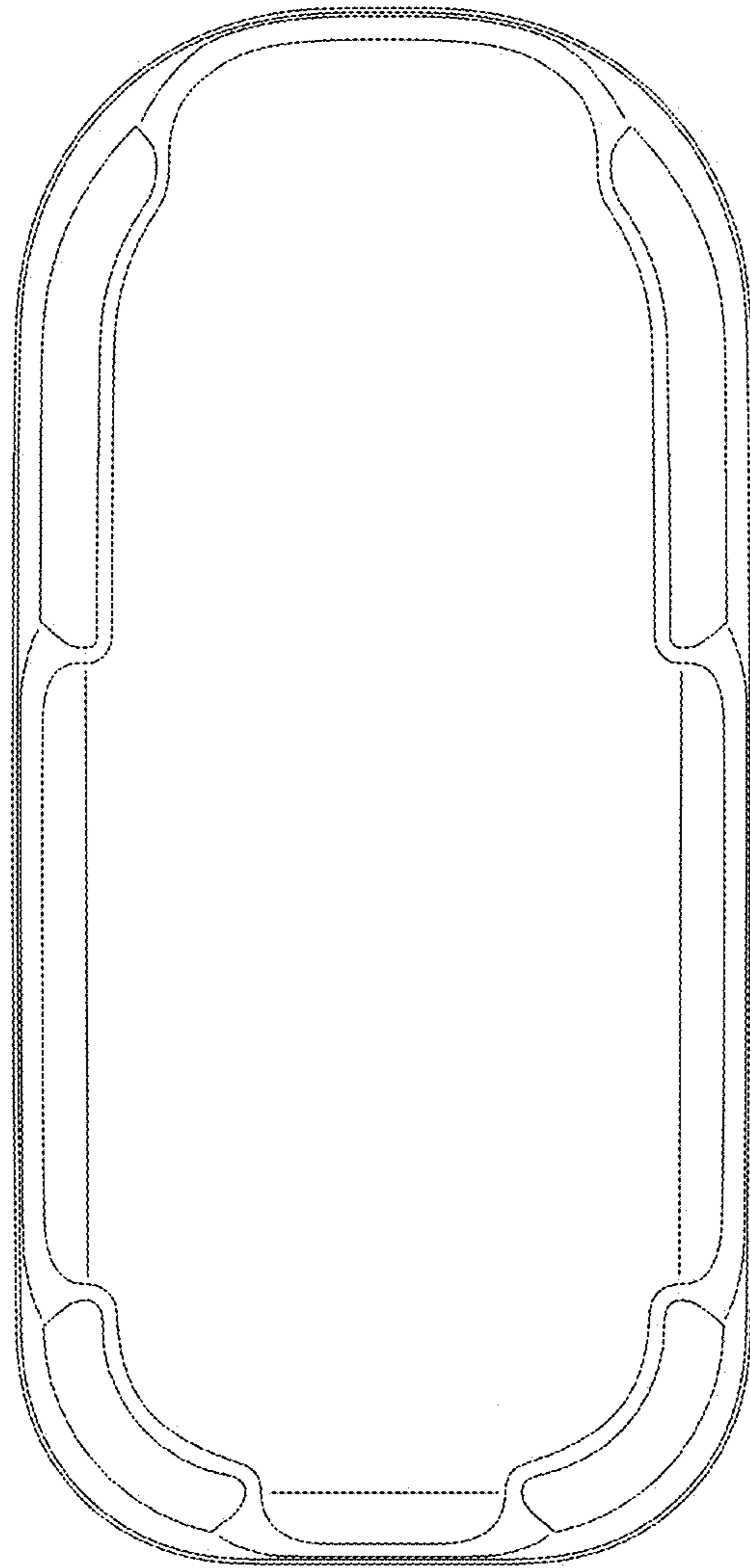


FIG. 7

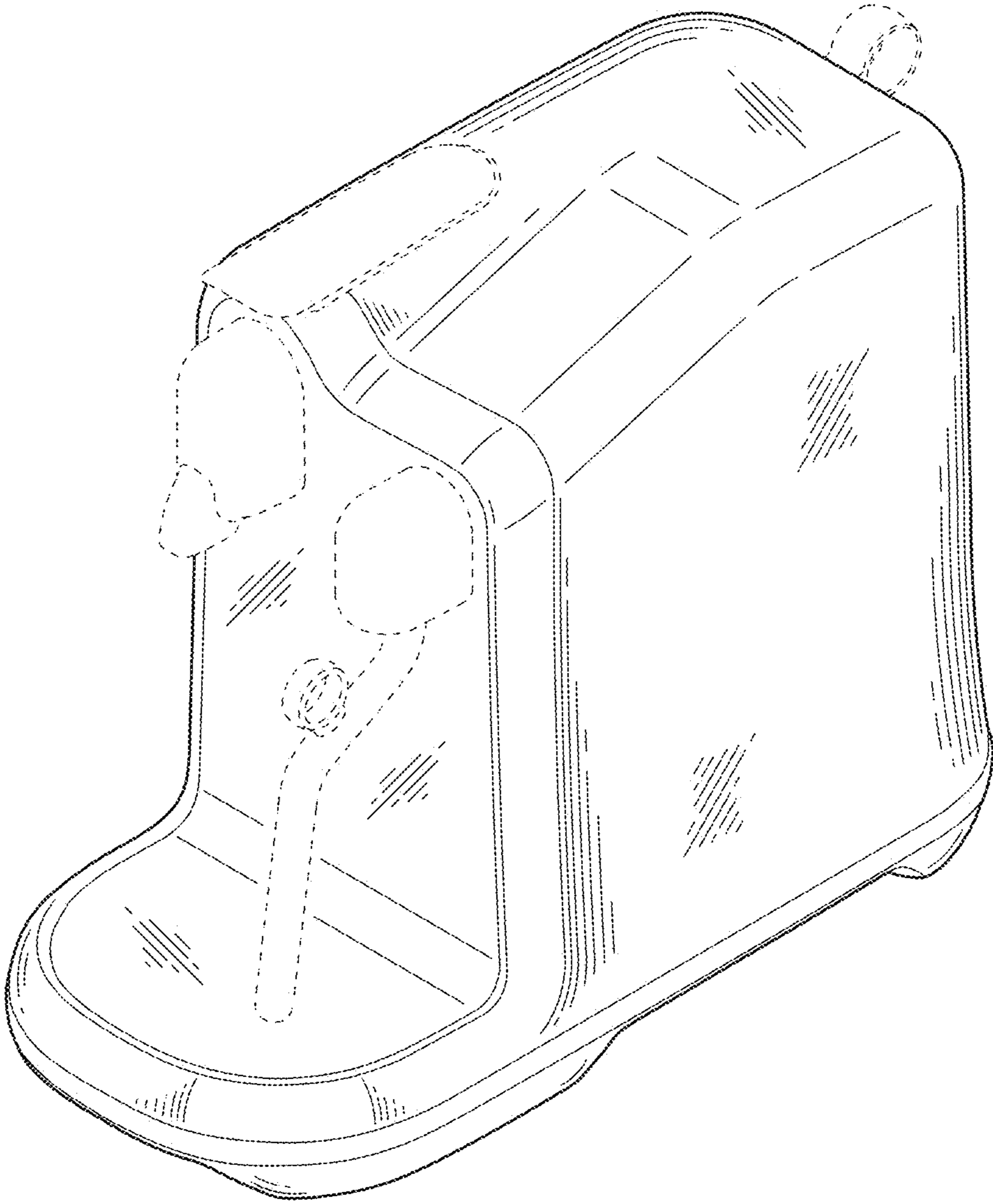


FIG. 8

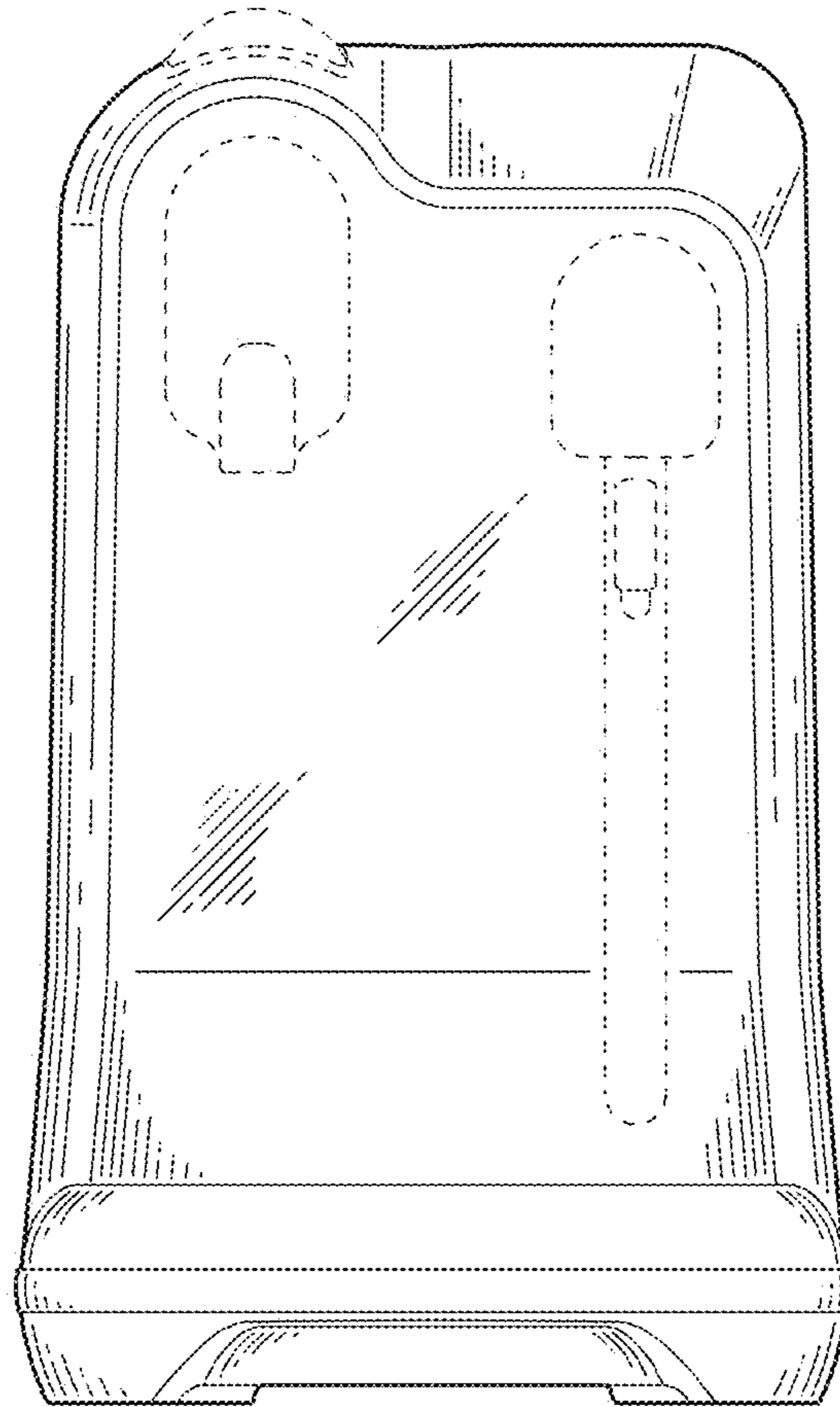


FIG. 9

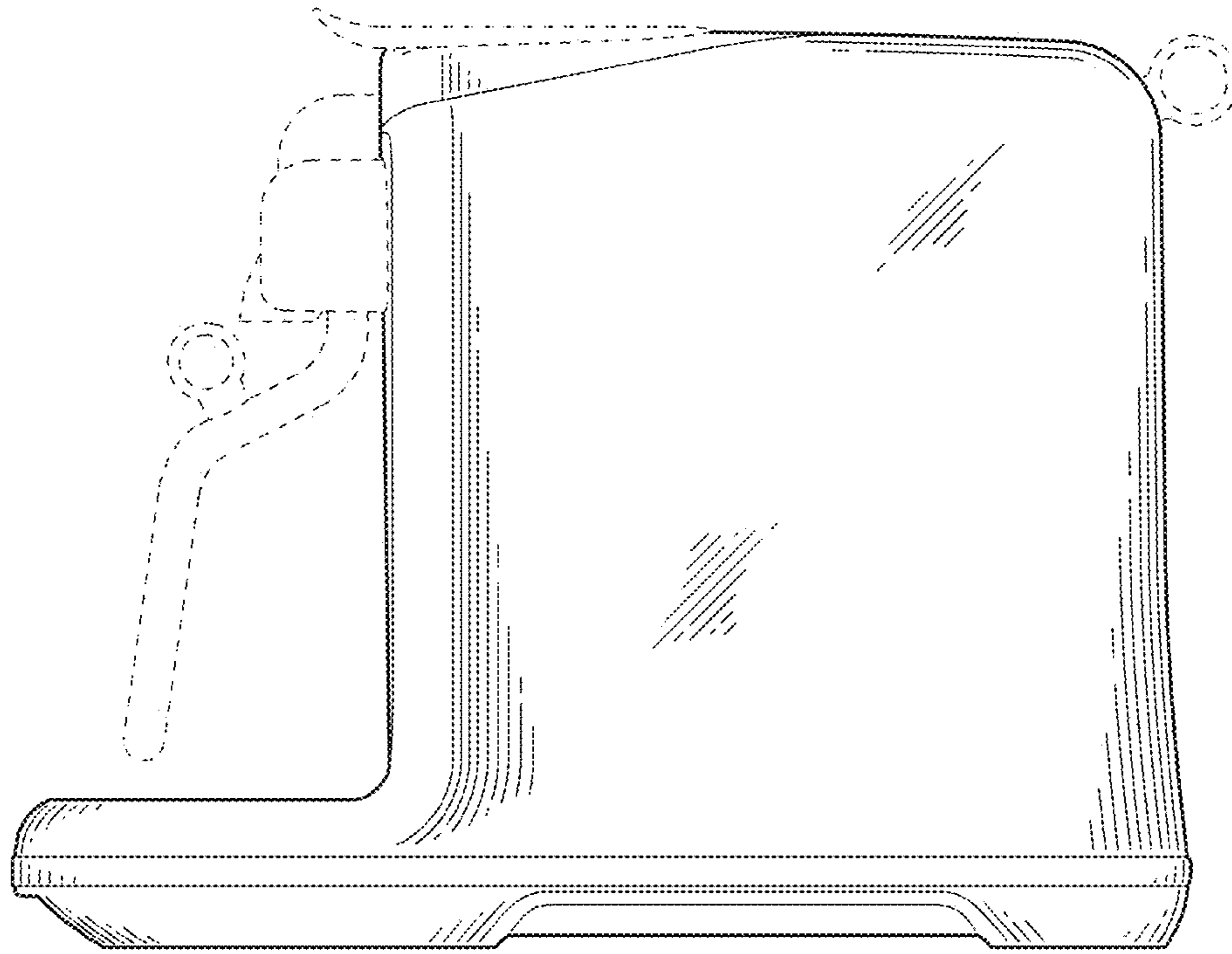


FIG. 10

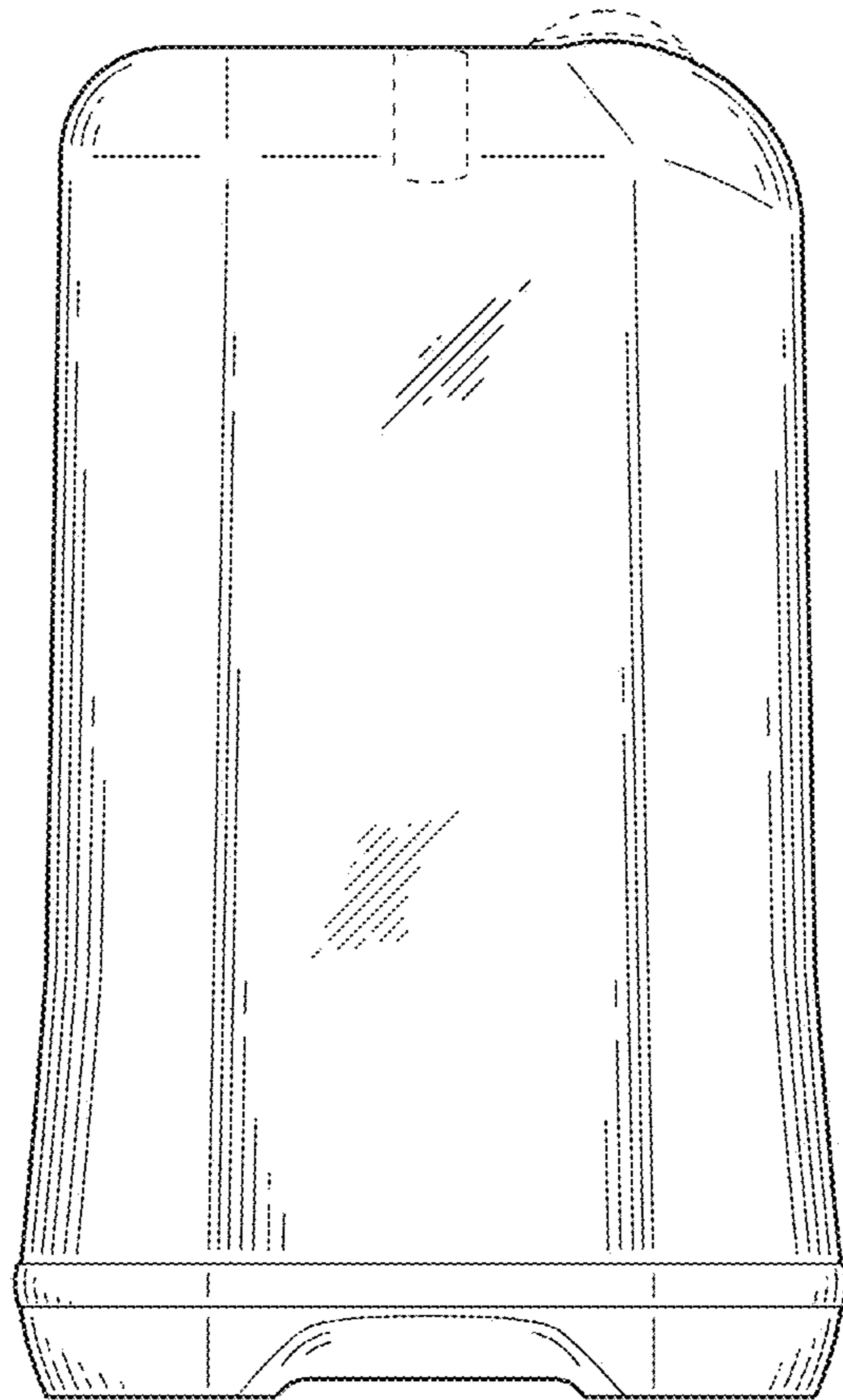


FIG. 11

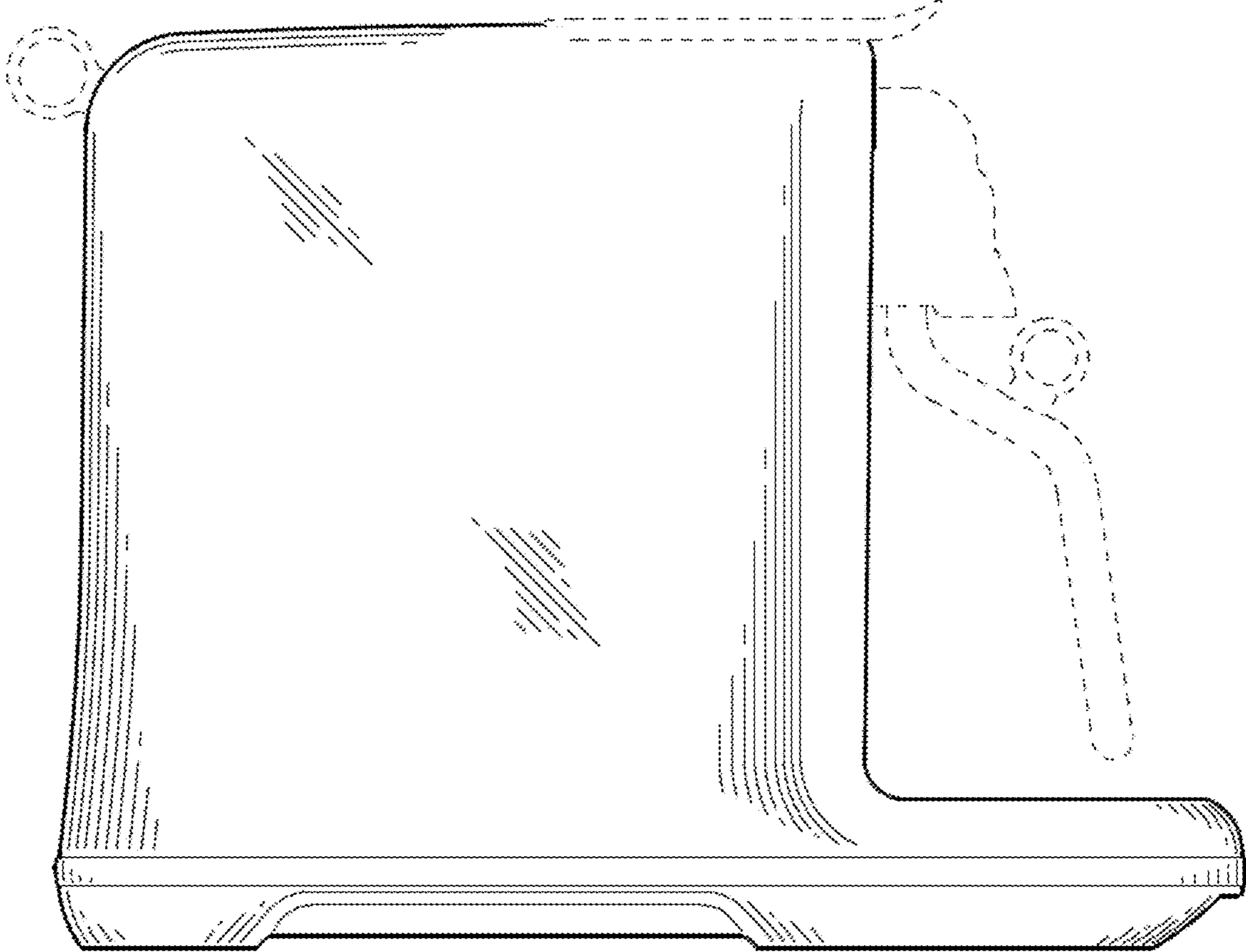


FIG. 12

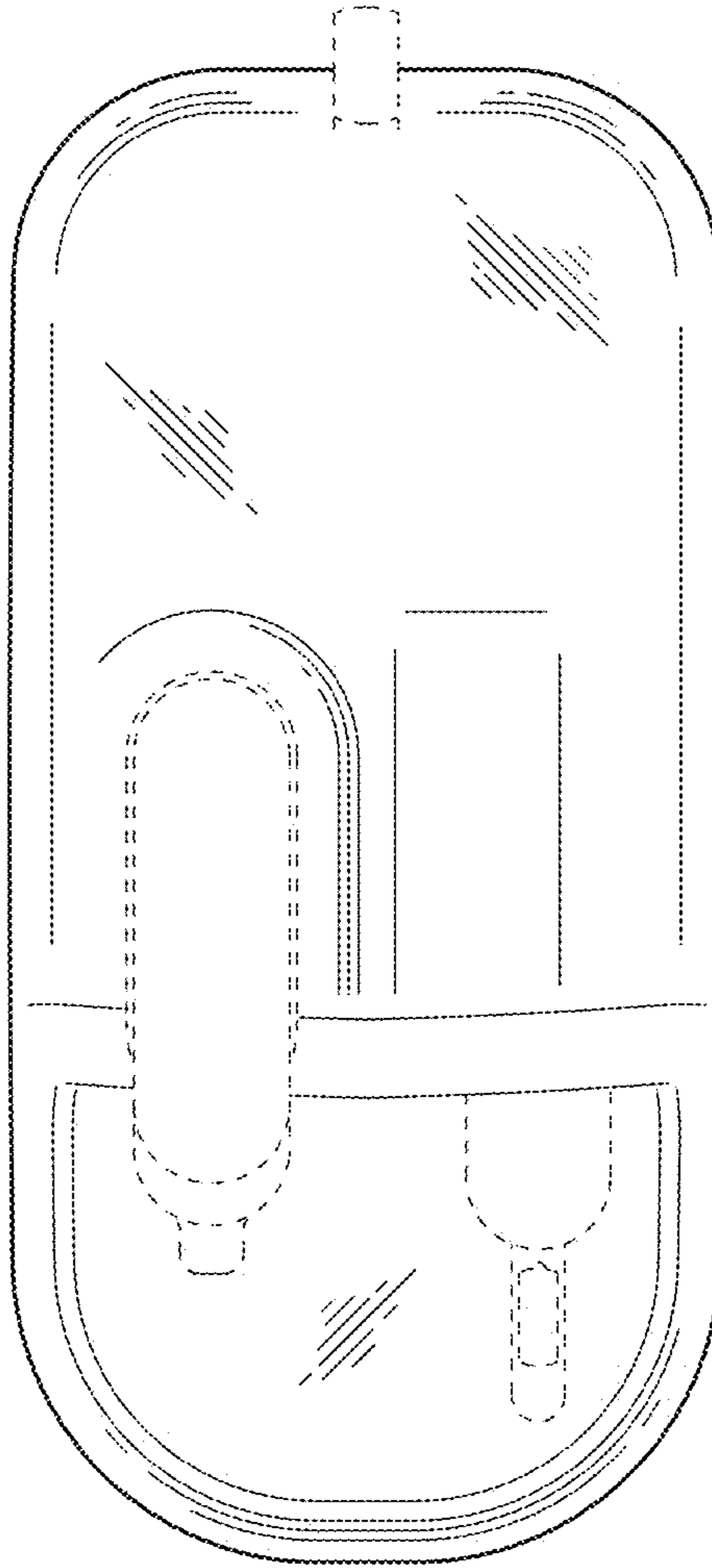


FIG. 13

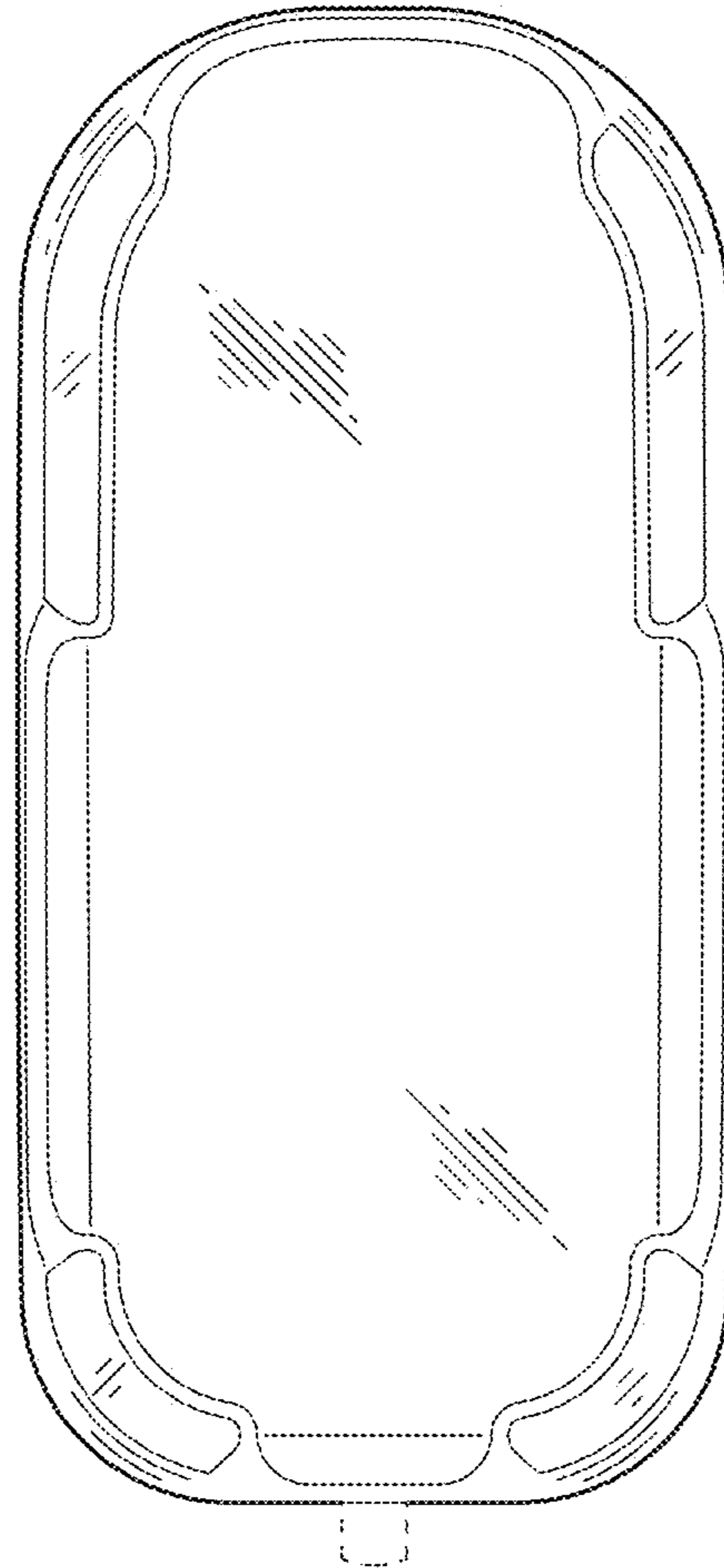


FIG. 14