



US00D946957S

(12) **United States Design Patent**  
**Palma**

(10) **Patent No.:** **US D946,957 S**

(45) **Date of Patent:** **\*\* Mar. 29, 2022**

(54) **CHAIR BASE**

(71) Applicant: **Alberto Palma**, Costa Mesa, CA (US)

(72) Inventor: **Alberto Palma**, Costa Mesa, CA (US)

(\*\*) Term: **15 Years**

(21) Appl. No.: **29/740,063**

(22) Filed: **Jun. 30, 2020**

(51) **LOC (13) Cl.** ..... **06-06**

(52) **U.S. Cl.**  
USPC ..... **D6/718.25**

(58) **Field of Classification Search**  
USPC ..... D6/334-336, 364, 365, 366, 708.23,  
D6/708.24, 708.25  
CPC ..... A47C 7/002; A47C 7/004; A47C 7/006;  
A47C 7/02; A47C 3/20; A47C 3/24;  
A47C 7/48; A47C 7/462  
See application file for complete search history.

(56) **References Cited**

**U.S. PATENT DOCUMENTS**

D493,986 S \* 8/2004 Fu ..... D6/366  
D544,732 S \* 6/2007 Mazzera ..... D6/708.23

D544,733 S \* 6/2007 Mazzera ..... D6/708.23  
D585,672 S \* 2/2009 Mazzera ..... D6/708.25  
D603,630 S \* 11/2009 True ..... D6/708.23  
10,485,727 B2 \* 11/2019 Grove ..... A47C 7/462  
D915,092 S \* 4/2021 Tong ..... D6/366  
D925,936 S \* 7/2021 Zhou ..... D6/366

\* cited by examiner

*Primary Examiner* — Mimoso De

(74) *Attorney, Agent, or Firm* — Morland C. Fischer

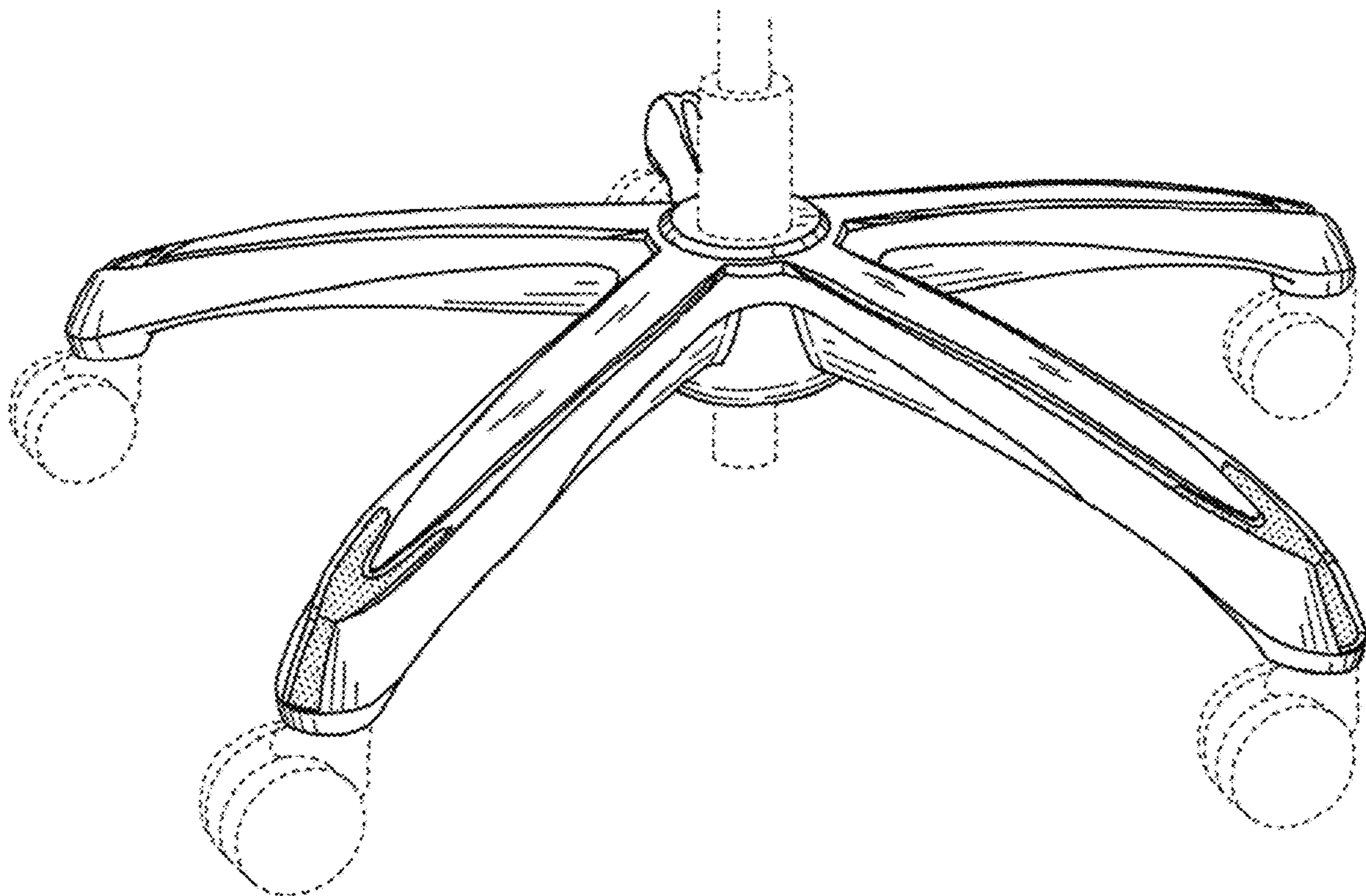
(57) **CLAIM**

The ornamental design for a chair base, as shown and described.

**DESCRIPTION**

FIG. 1 is a perspective view showing the front, top and opposite sides for a chair base which forms my new design; FIG. 2 is a top plan view thereof; FIG. 3 is a front elevational view thereof; FIG. 4 is a bottom plan view thereof; FIG. 5 is a rear elevational view thereof; FIG. 6 is a right side elevational view thereof; and, FIG. 7 is a left side elevational view thereof. The broken in the figures depict portions of the chair base that form no part of my design.

**1 Claim, 4 Drawing Sheets**



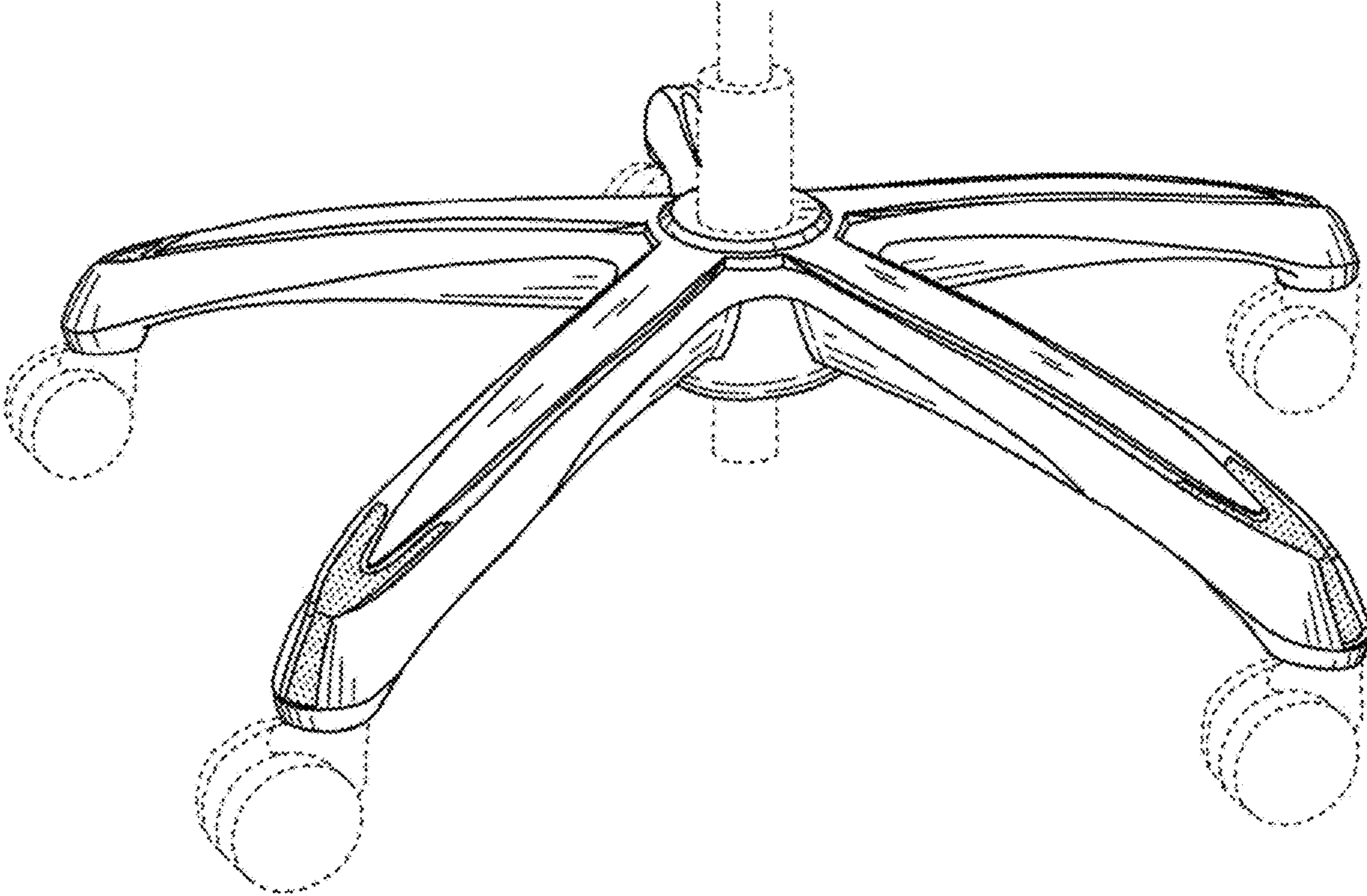


FIG. 1

FIG. 2

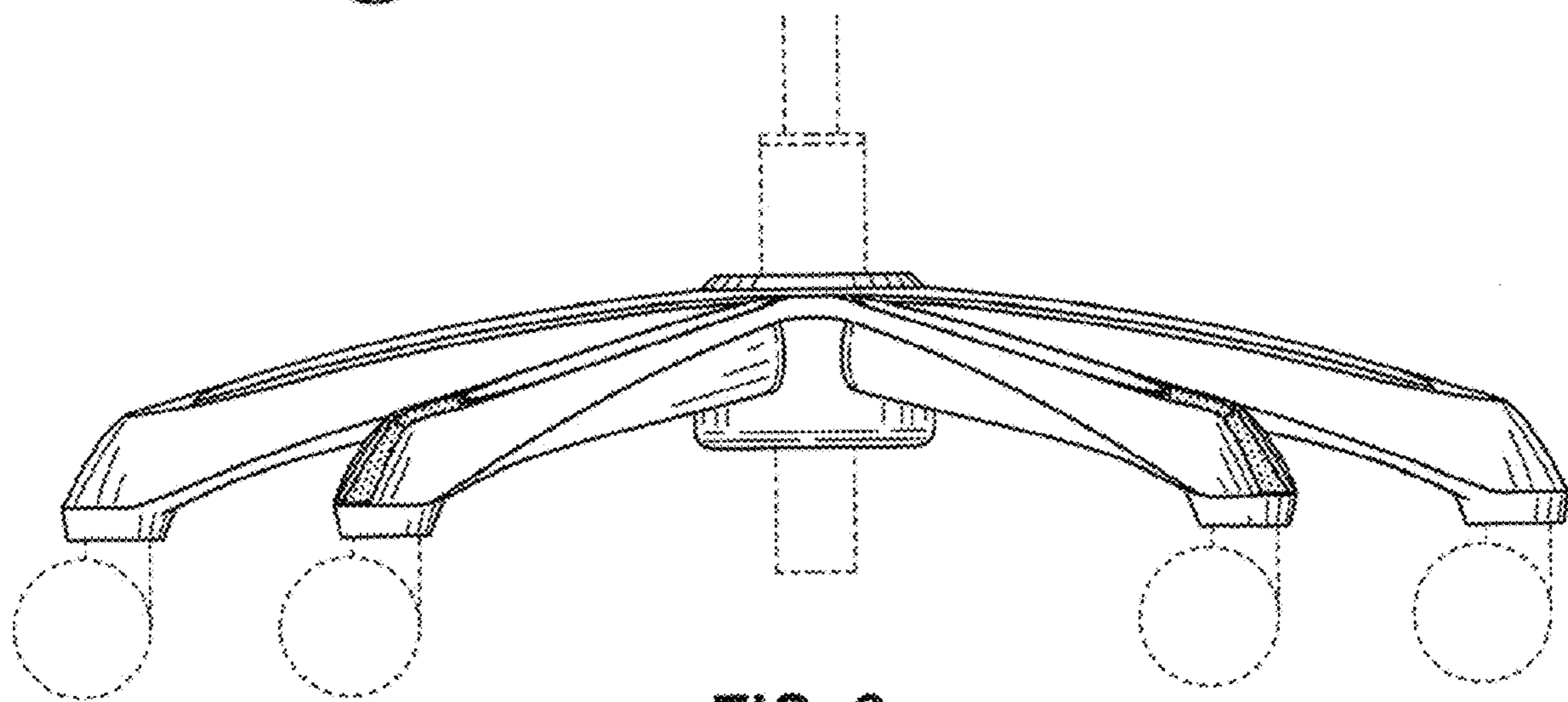
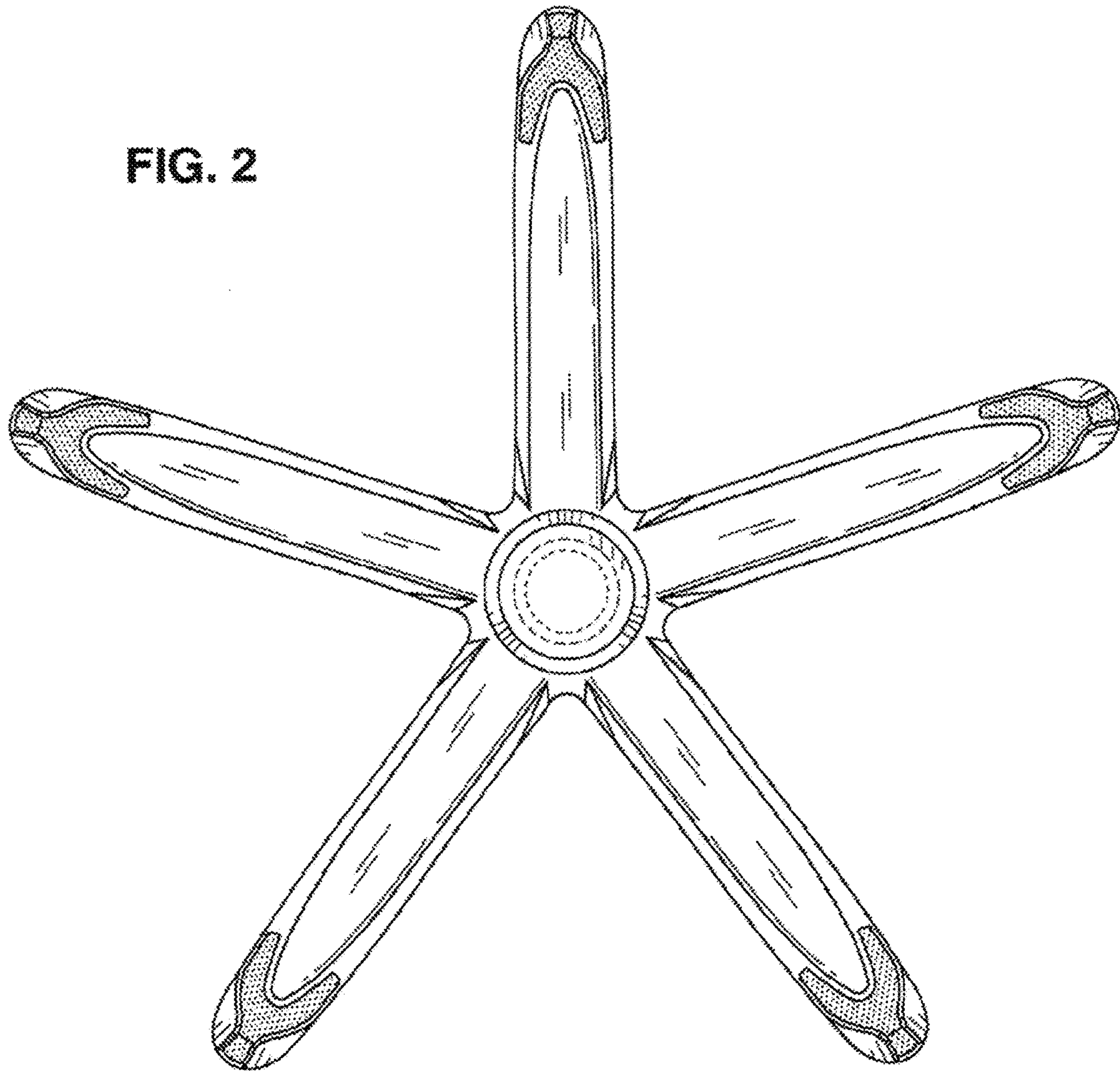


FIG. 3

FIG. 4

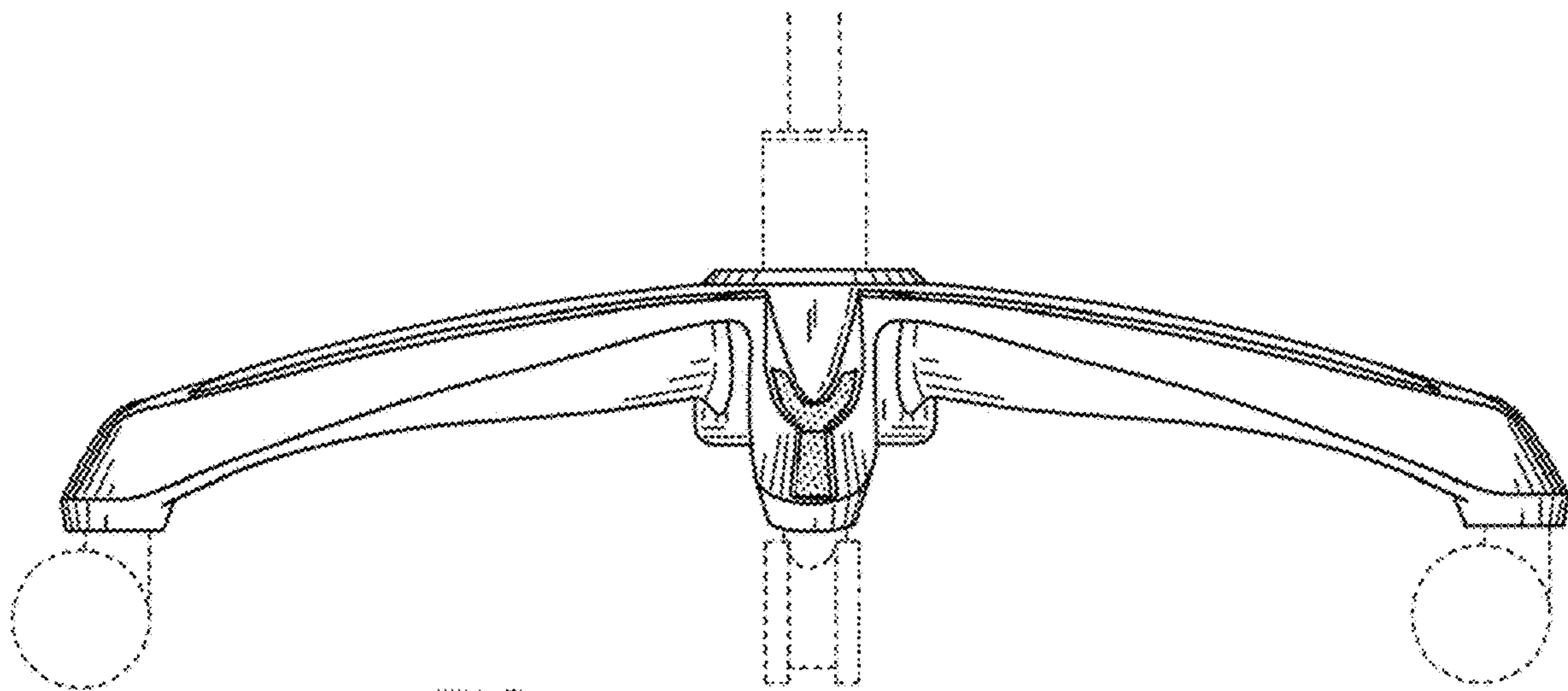
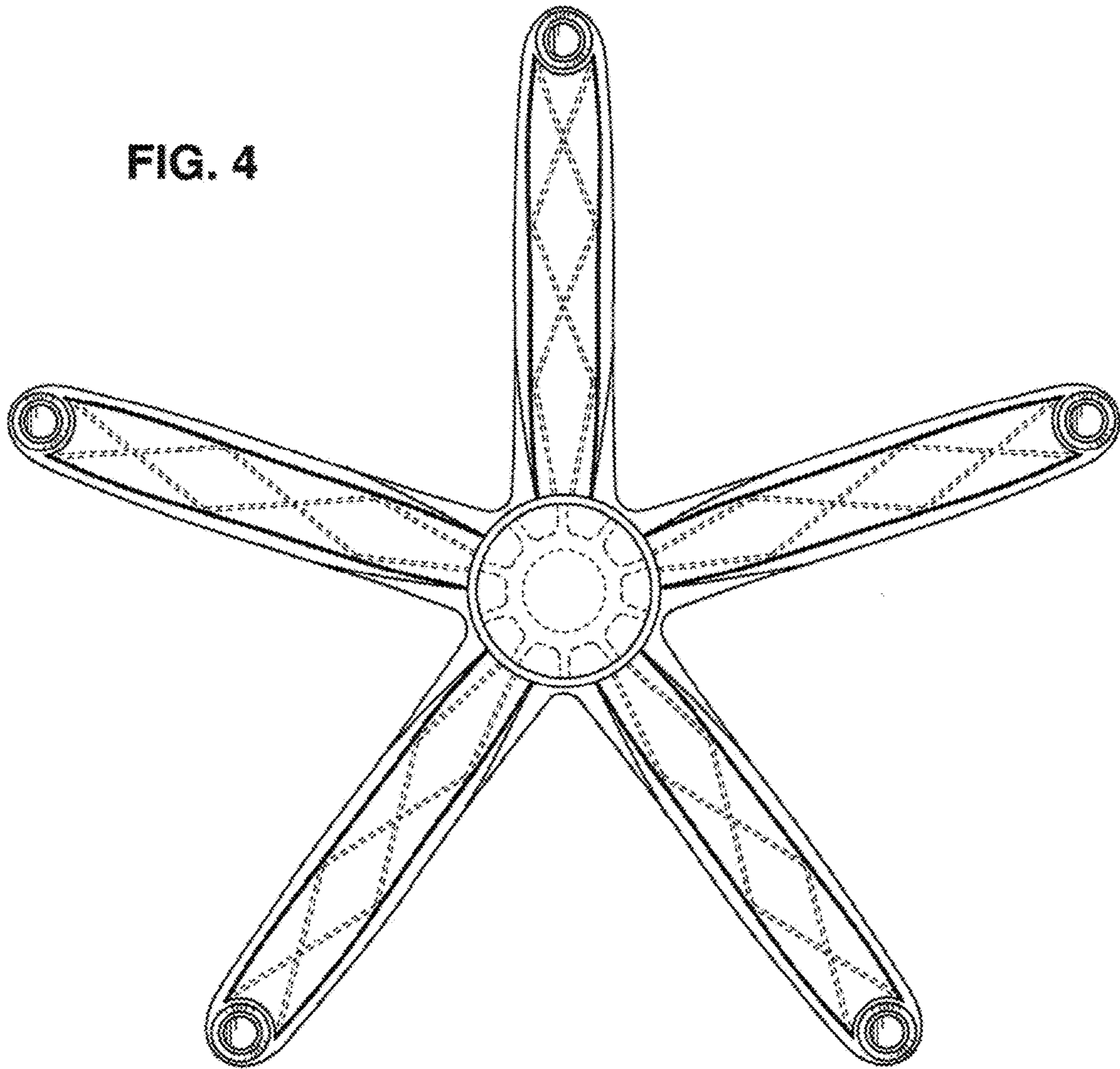


FIG. 5

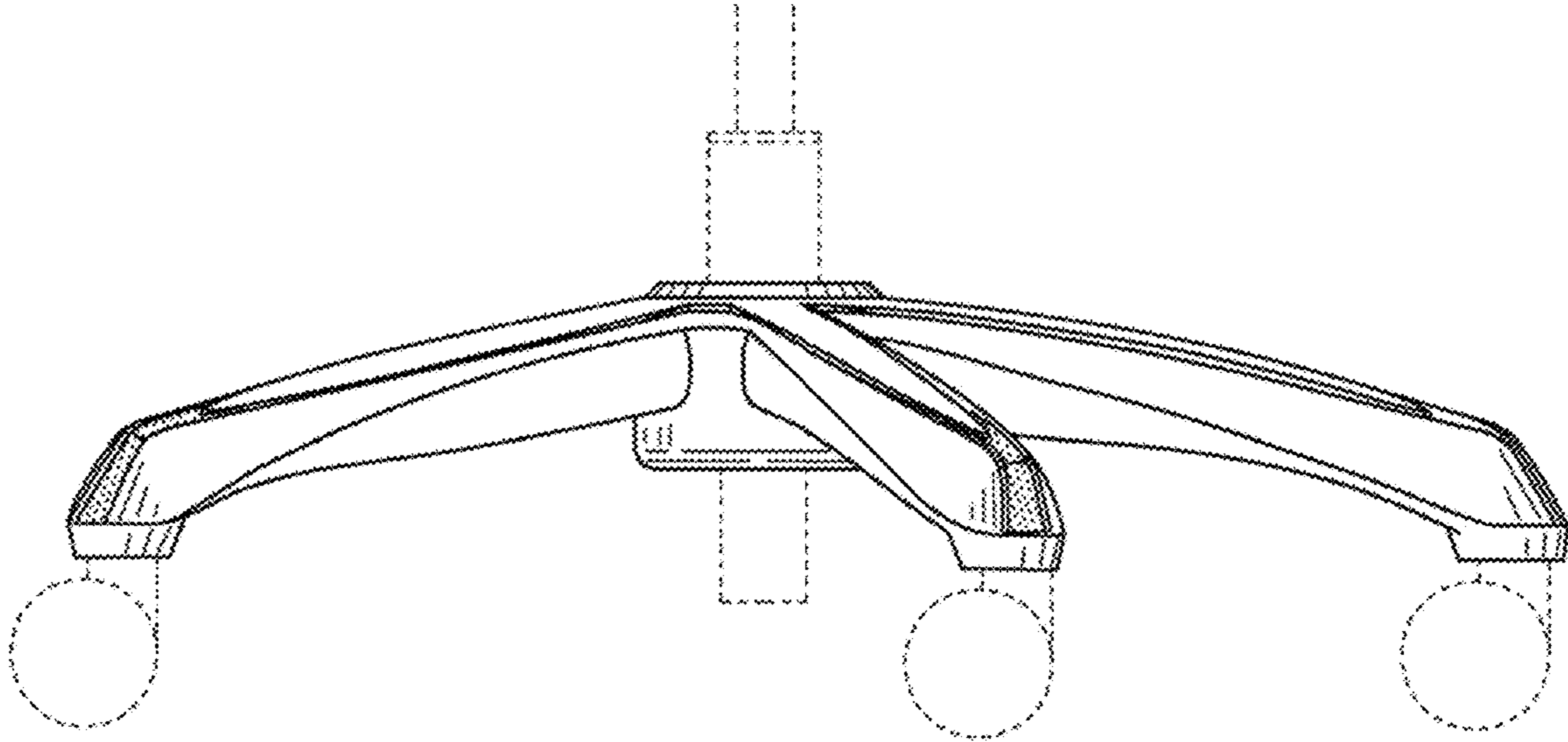


FIG. 6

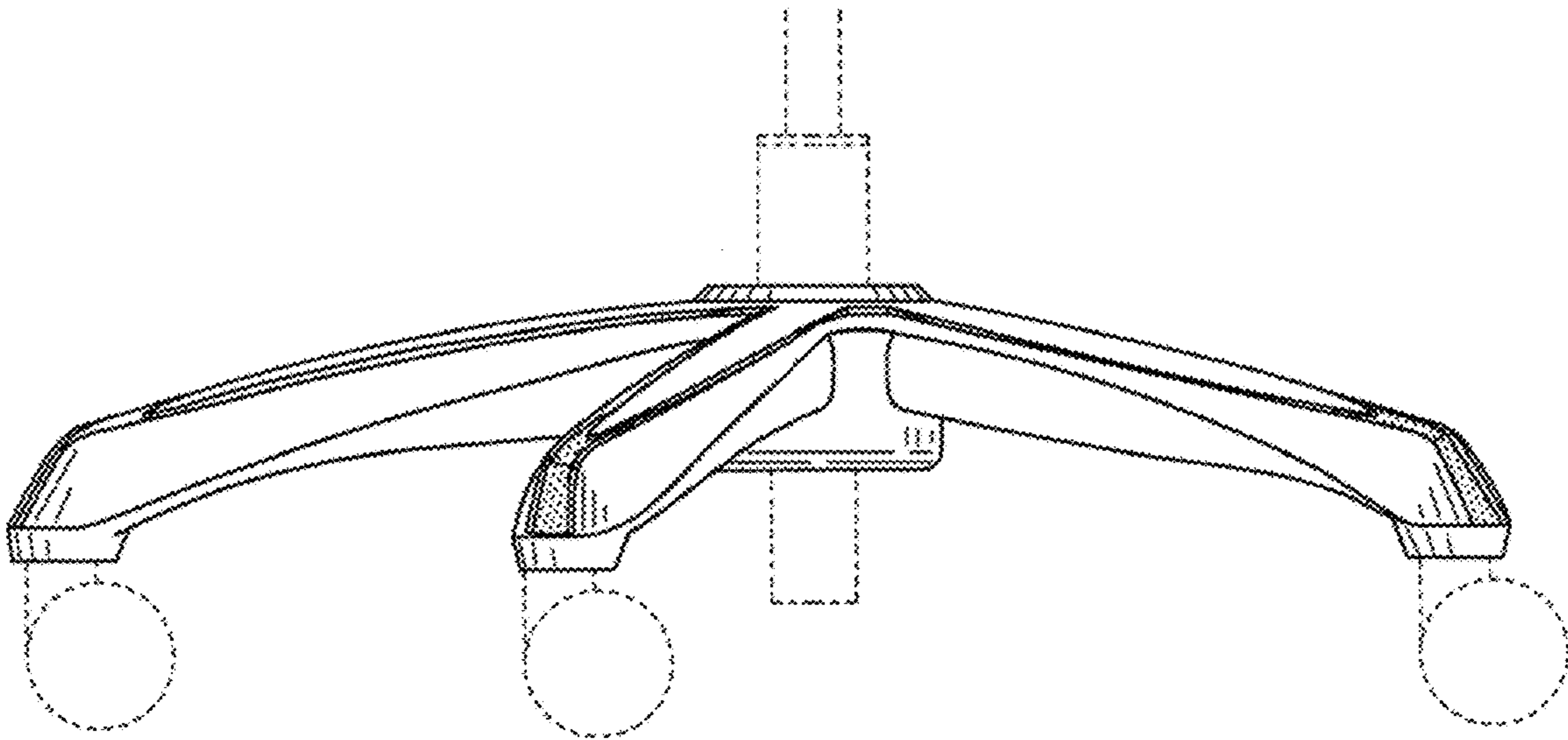


FIG. 7