

US00D946956S

(12) **United States Design Patent**
Citterio

(10) **Patent No.:** **US D946,956 S**

(45) **Date of Patent:** **** Mar. 29, 2022**

(54) **SOFA END**

(71) Applicant: **B&B Italia S.p.A.**, Milan (IT)

(72) Inventor: **Antonio Citterio**, Novedrate (IT)

(73) Assignee: **B&B ITALIA S.p.A.**, Milan (IT)

(**) Term: **15 Years**

(21) Appl. No.: **29/708,143**

(22) Filed: **Oct. 3, 2019**

(30) **Foreign Application Priority Data**

Apr. 5, 2019 (IT) 402019000000696

(51) **LOC (13) Cl.** **06-06**

(52) **U.S. Cl.**
USPC **D6/717**

(58) **Field of Classification Search**
USPC D6/334, 371, 374-376, 381, 716, 717
CPC A47C 5/00; A47C 5/04; A47C 5/12; A47C
7/00; A47C 7/02; A47C 7/021; A47C
7/16; A47C 7/18; A47C 7/185; A47C
7/36; A47C 7/40; A47C 17/00; A47C
17/02; A47C 17/86

See application file for complete search history.

(56) **References Cited**

U.S. PATENT DOCUMENTS

D197,598 S * 3/1964 Harris D6/372
D337,450 S * 7/1993 Dettinger D6/334
D802,310 S * 11/2017 Rockwell D6/334

D807,066 S * 1/2018 Vance D6/334
D815,449 S * 4/2018 Hannoosh D6/374
D880,173 S * 4/2020 Killinger D6/334
D887,160 S * 6/2020 Killinger D6/374
D888,454 S * 6/2020 Li D6/375
D905,978 S * 12/2020 Smrstick D6/334
D905,999 S * 12/2020 Li D6/381
D907,378 S * 1/2021 Lehaneur D6/334

* cited by examiner

Primary Examiner — Mary Ann Calabrese

(74) *Attorney, Agent, or Firm* — Thomas I Horstemeyer, LLP

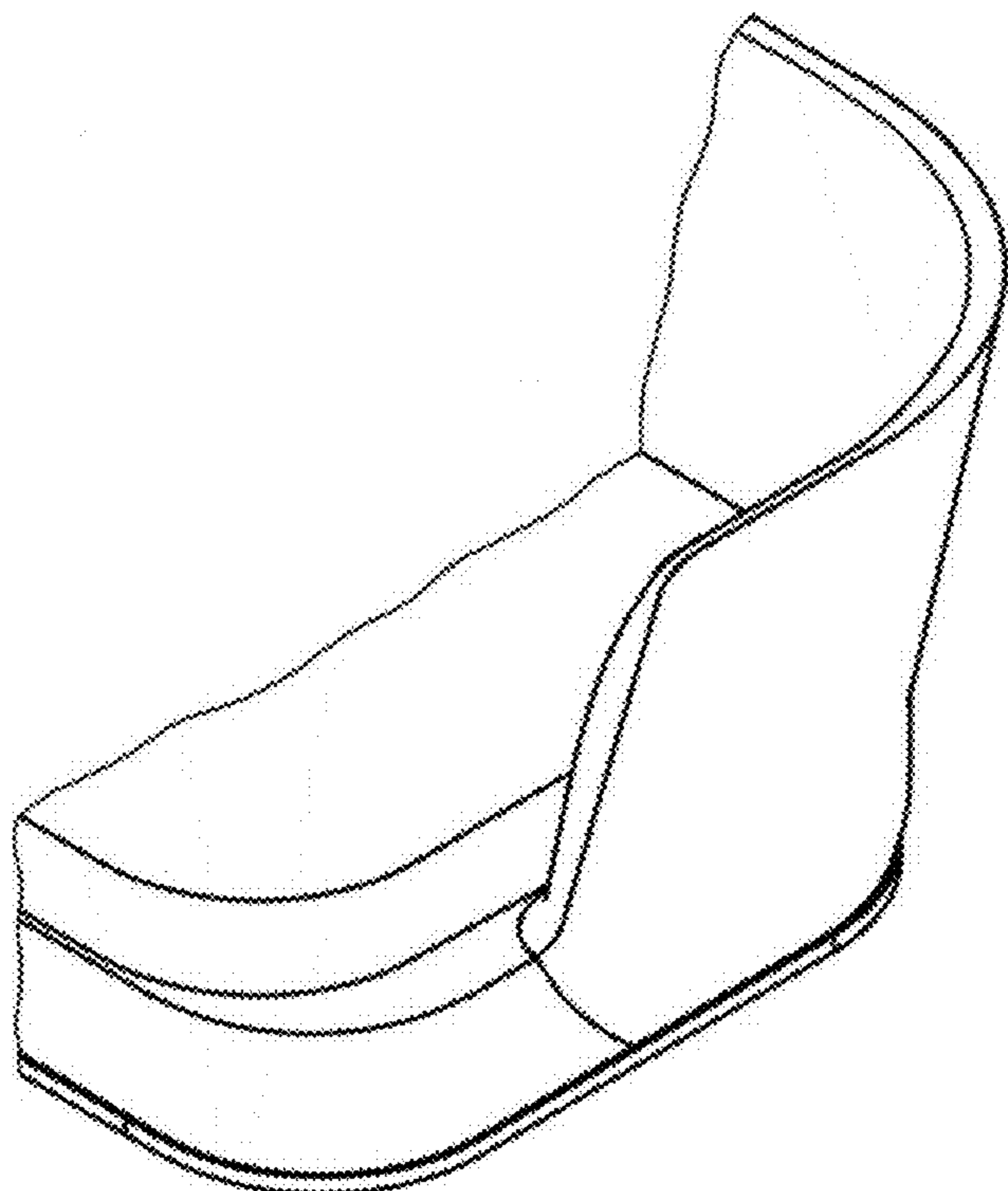
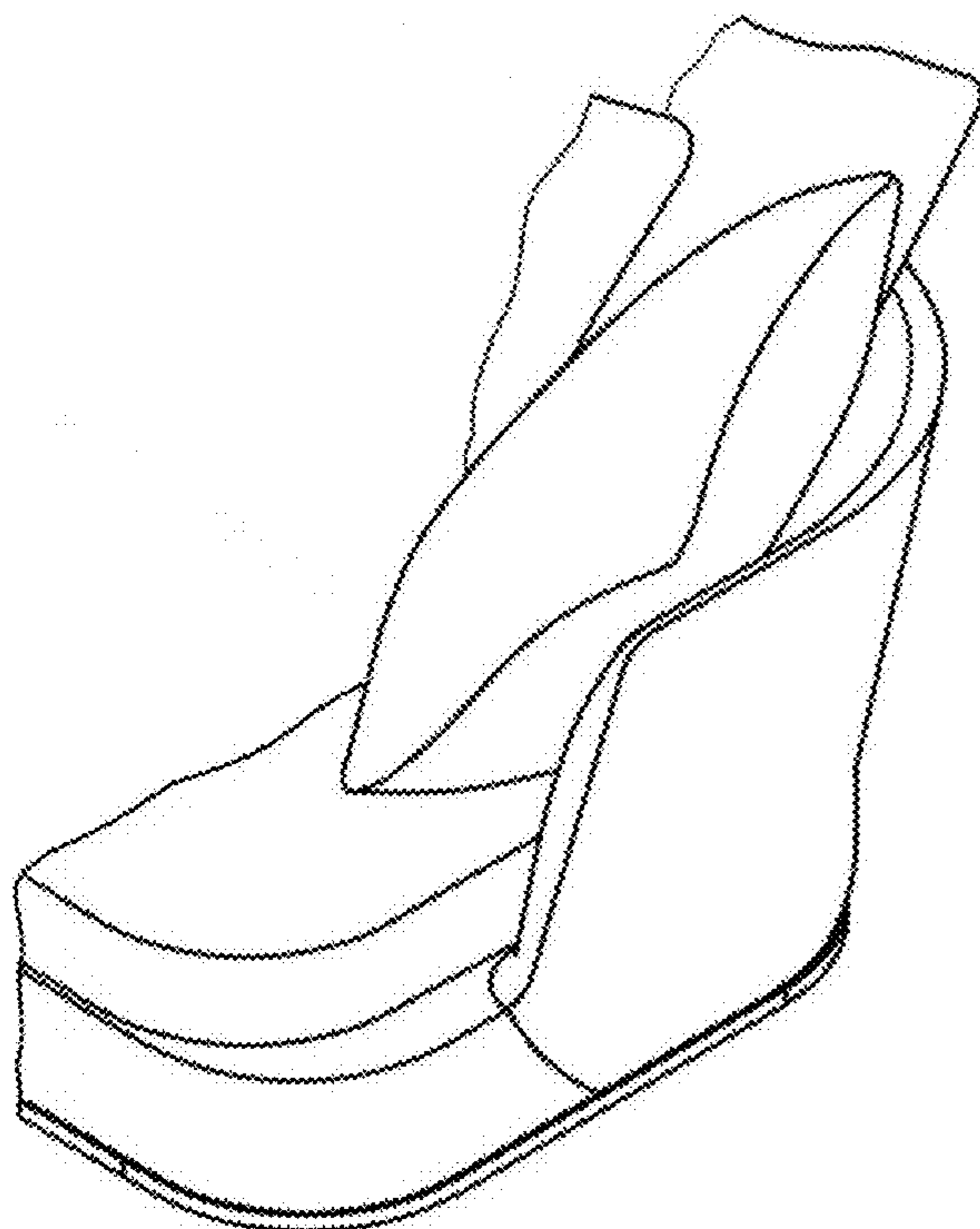
(57) **CLAIM**

The ornamental design for a sofa end, as shown and described.

DESCRIPTION

FIG. 1 is a top perspective view of a sofa end, showing my new design;
FIG. 2 is a front view thereof;
FIG. 3 is a rear view thereof;
FIG. 4 is a side view thereof;
FIG. 5 is a top view thereof;
FIG. 6 is a bottom view thereof;
FIG. 7 is a top perspective view of a variation of the sofa end of FIG. 1 shown with the pillows removed for clarity of illustration;
FIG. 8 is a front view thereof;
FIG. 9 is a rear view thereof;
FIG. 10 is a side view thereof;
FIG. 11 is a top view thereof; and,
FIG. 12 is a bottom view thereof.

1 Claim, 12 Drawing Sheets



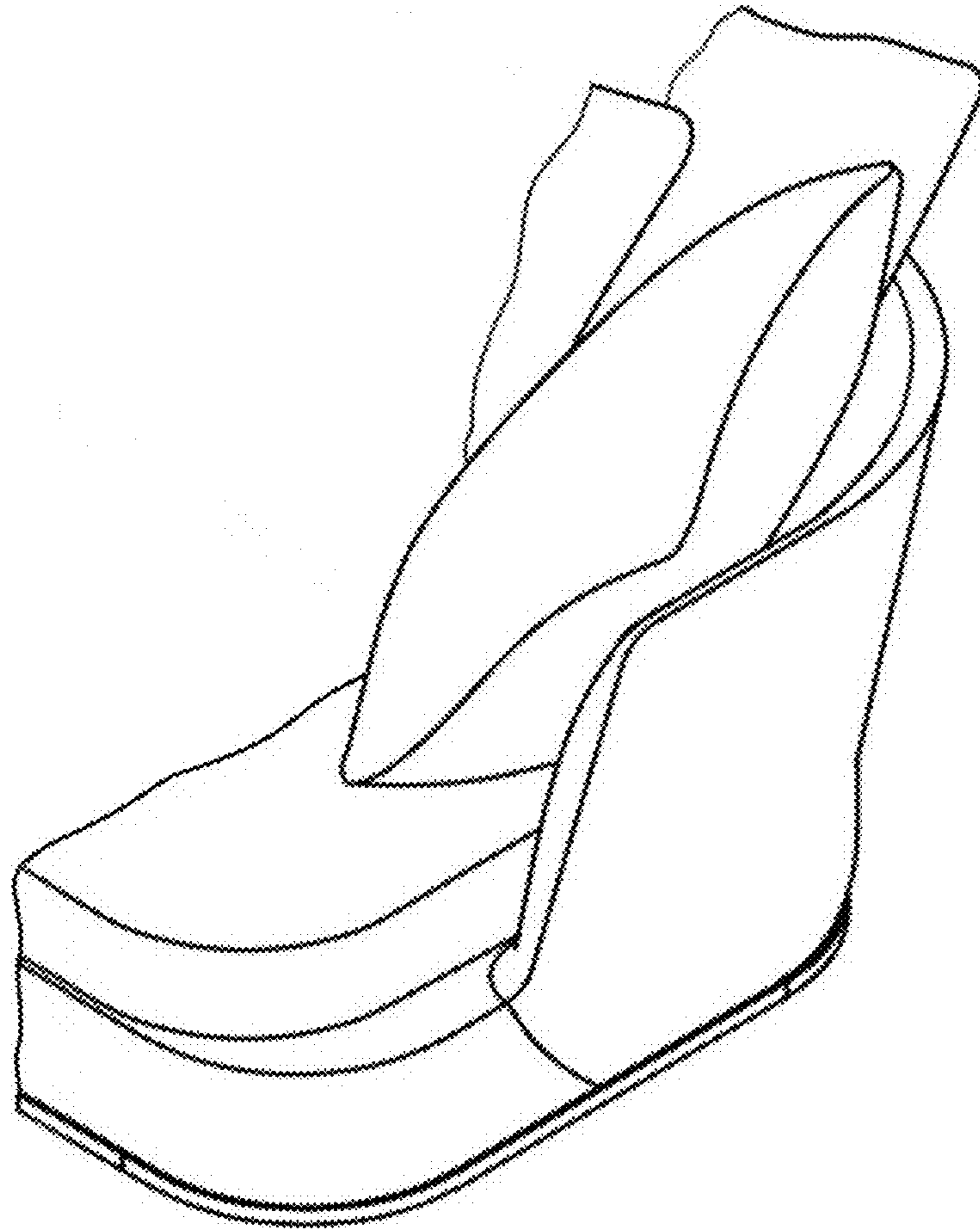


FIG. 1

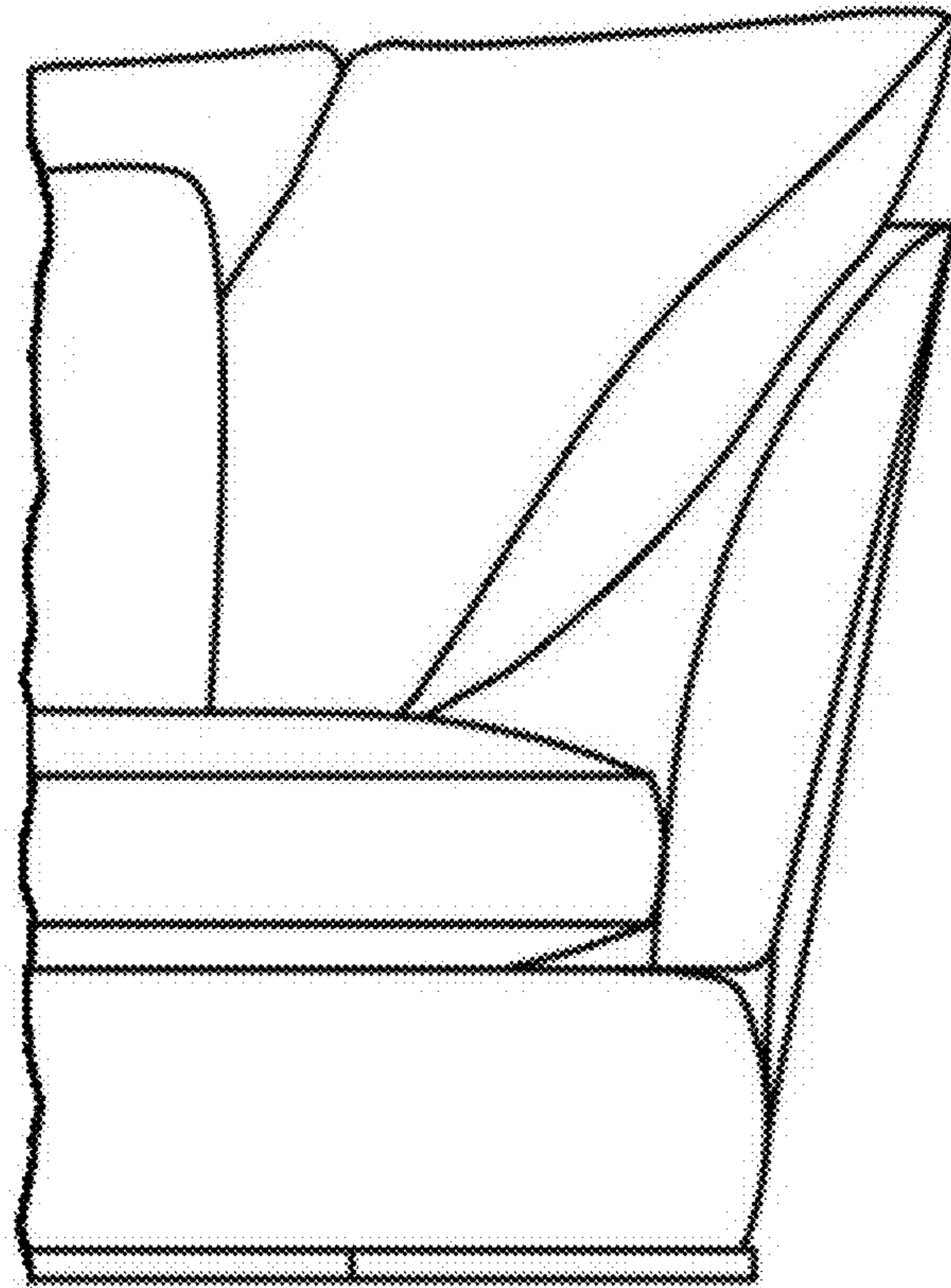


FIG. 2

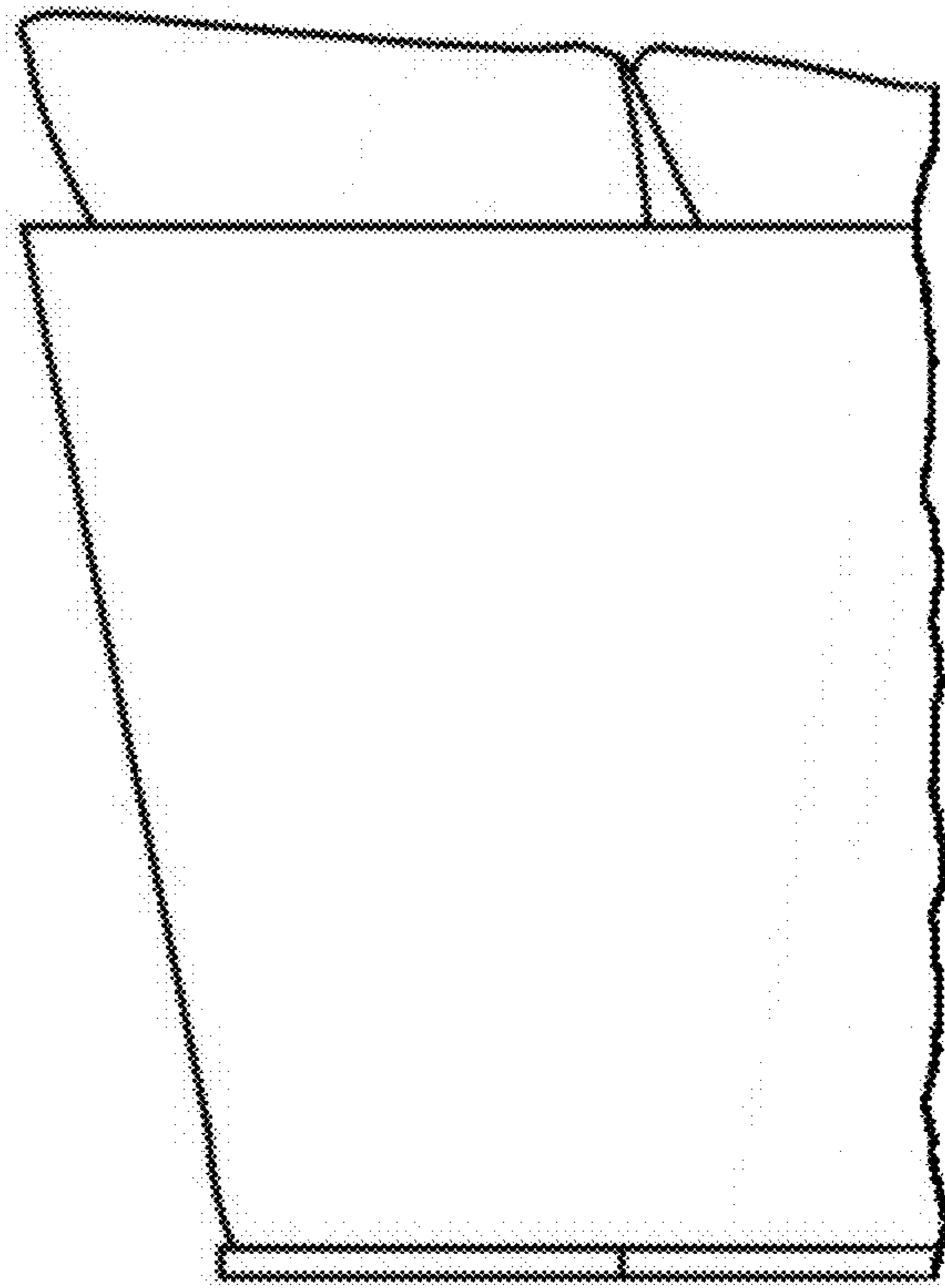


FIG. 3

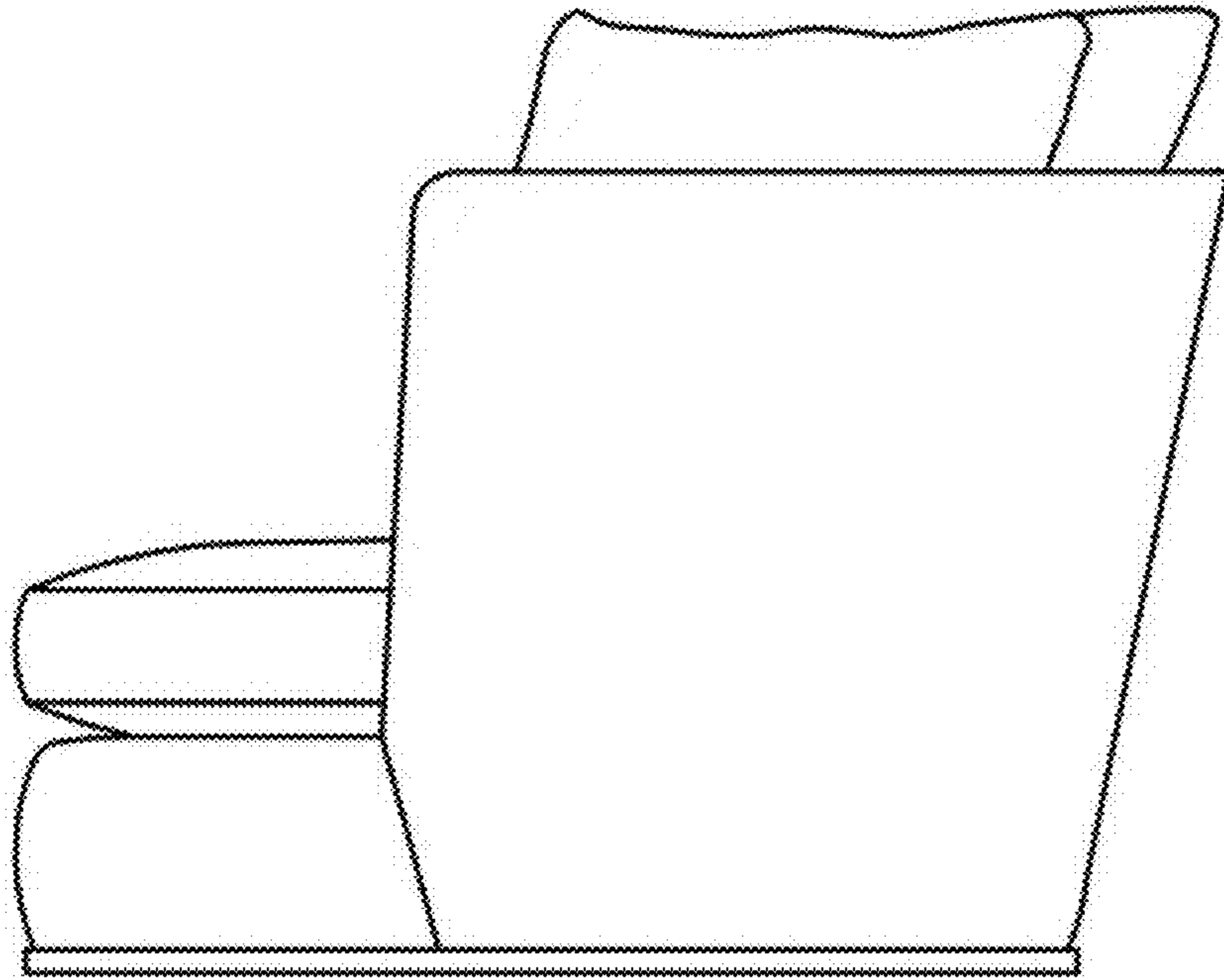


FIG. 4

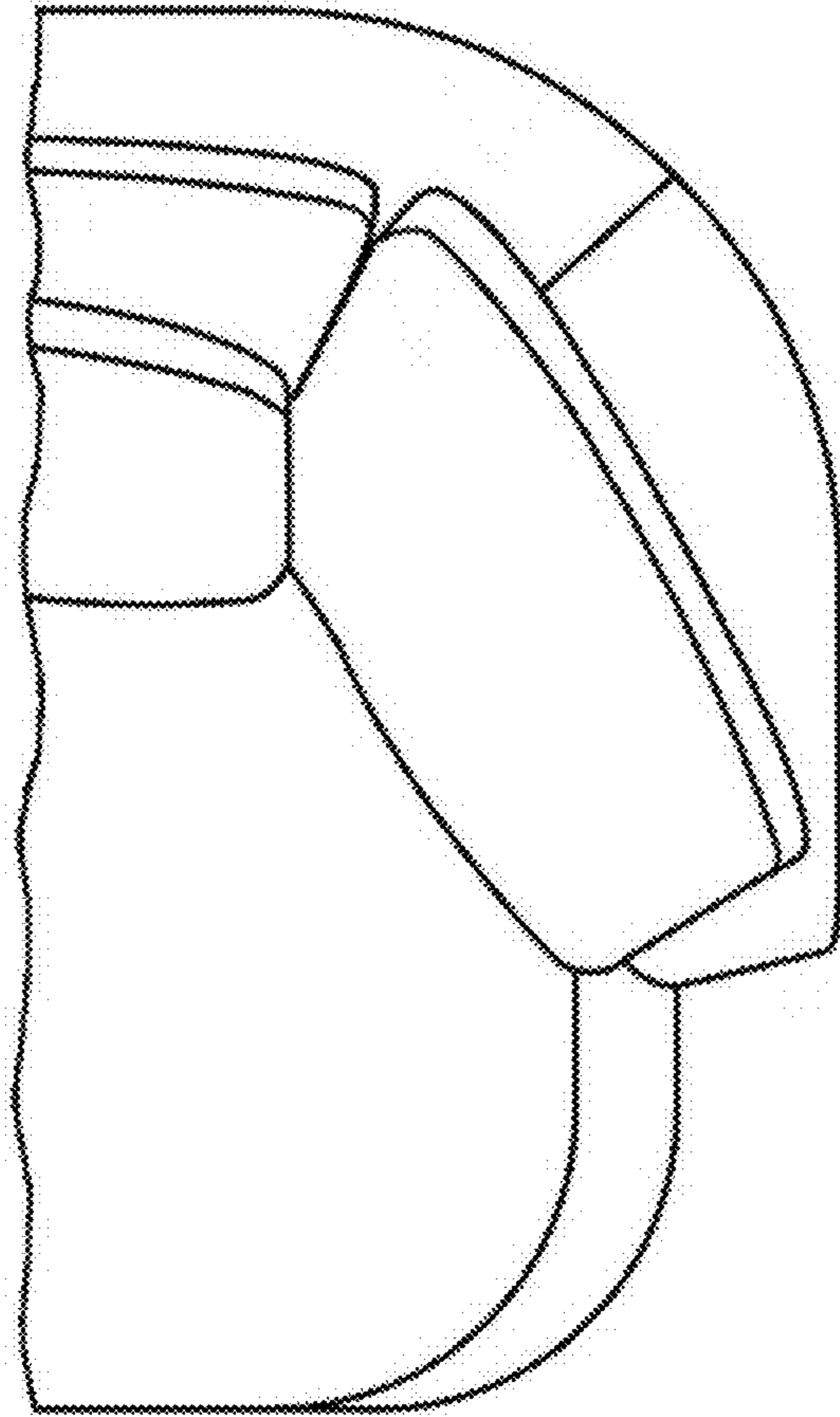


FIG. 5

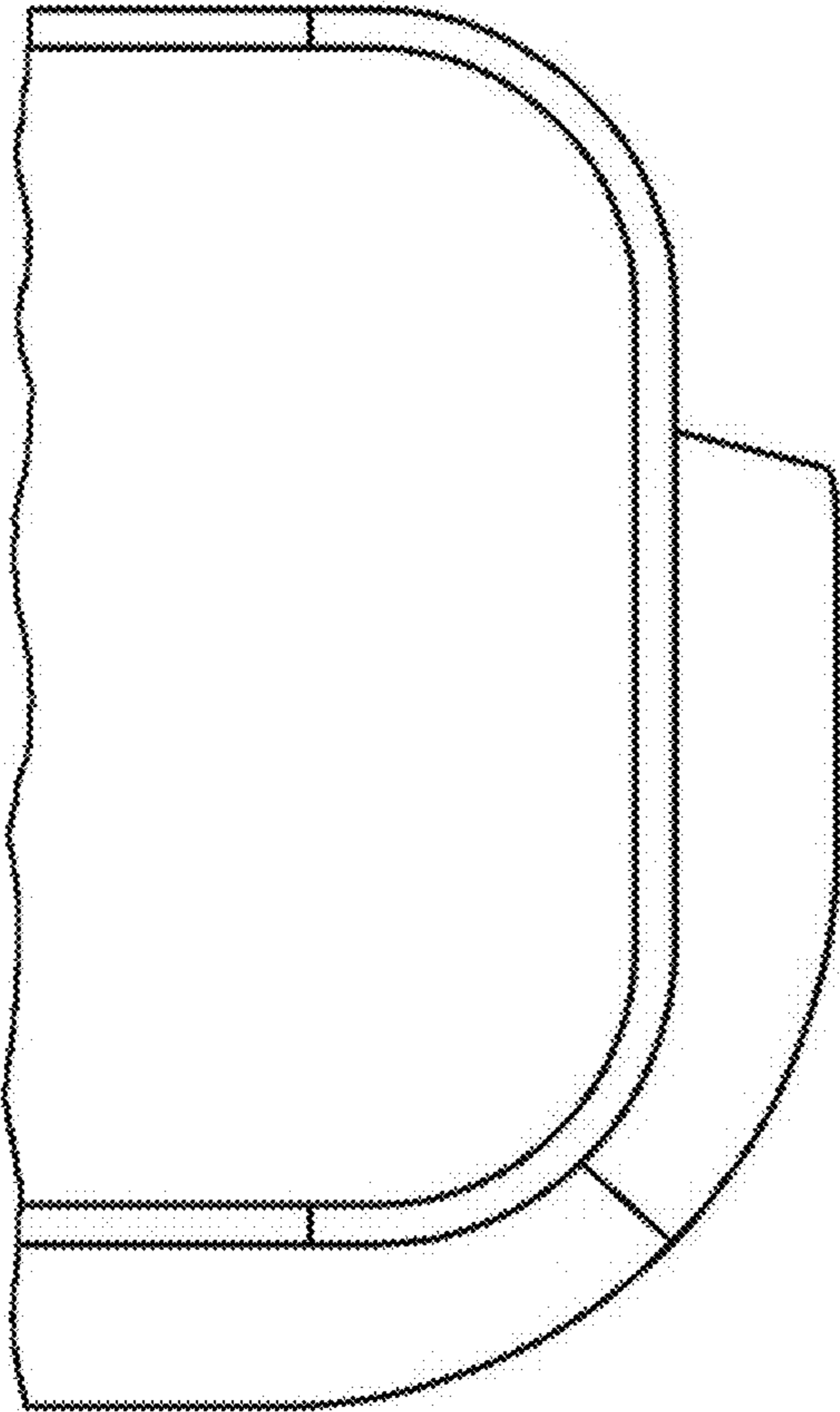


FIG. 6

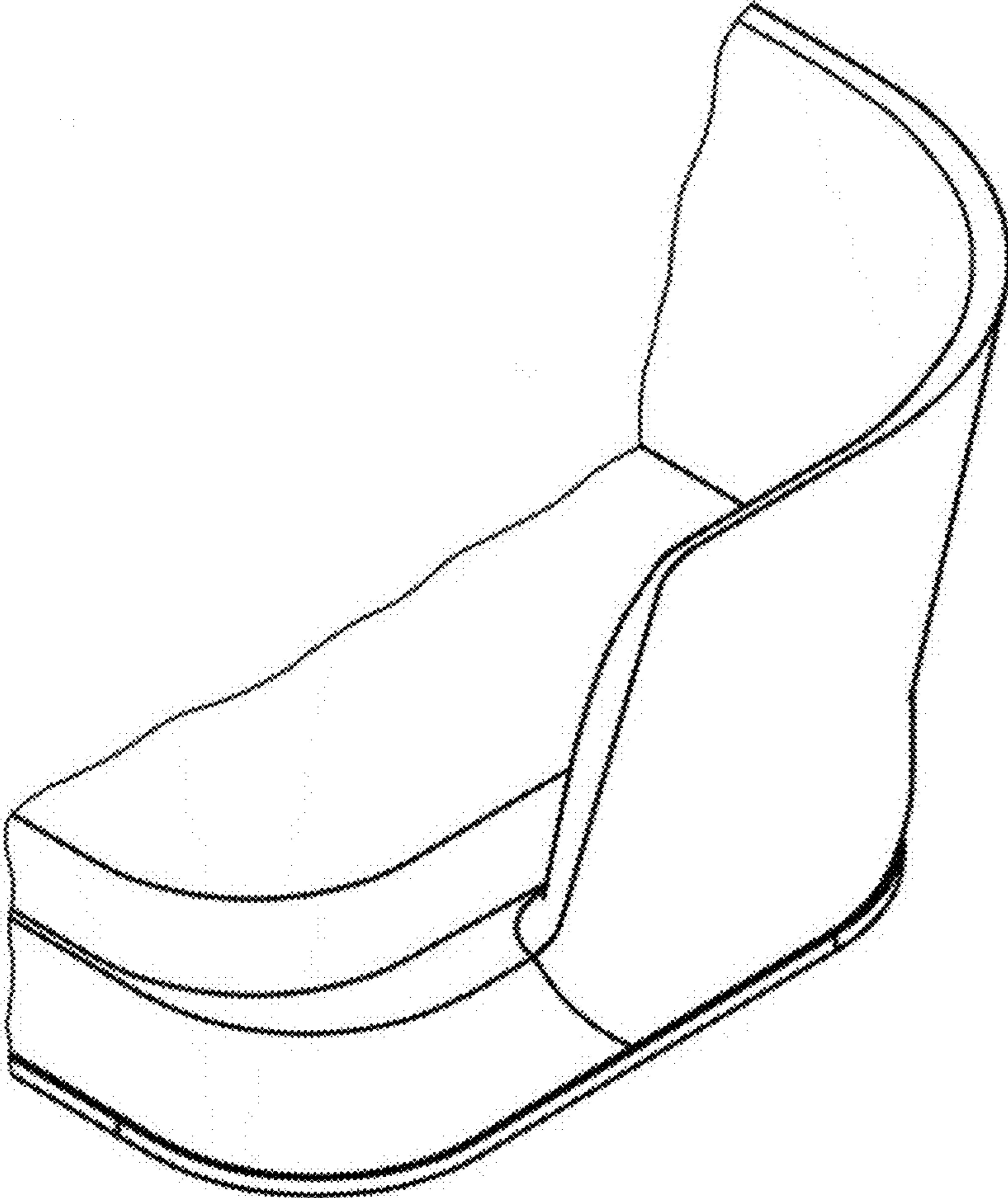


FIG. 7

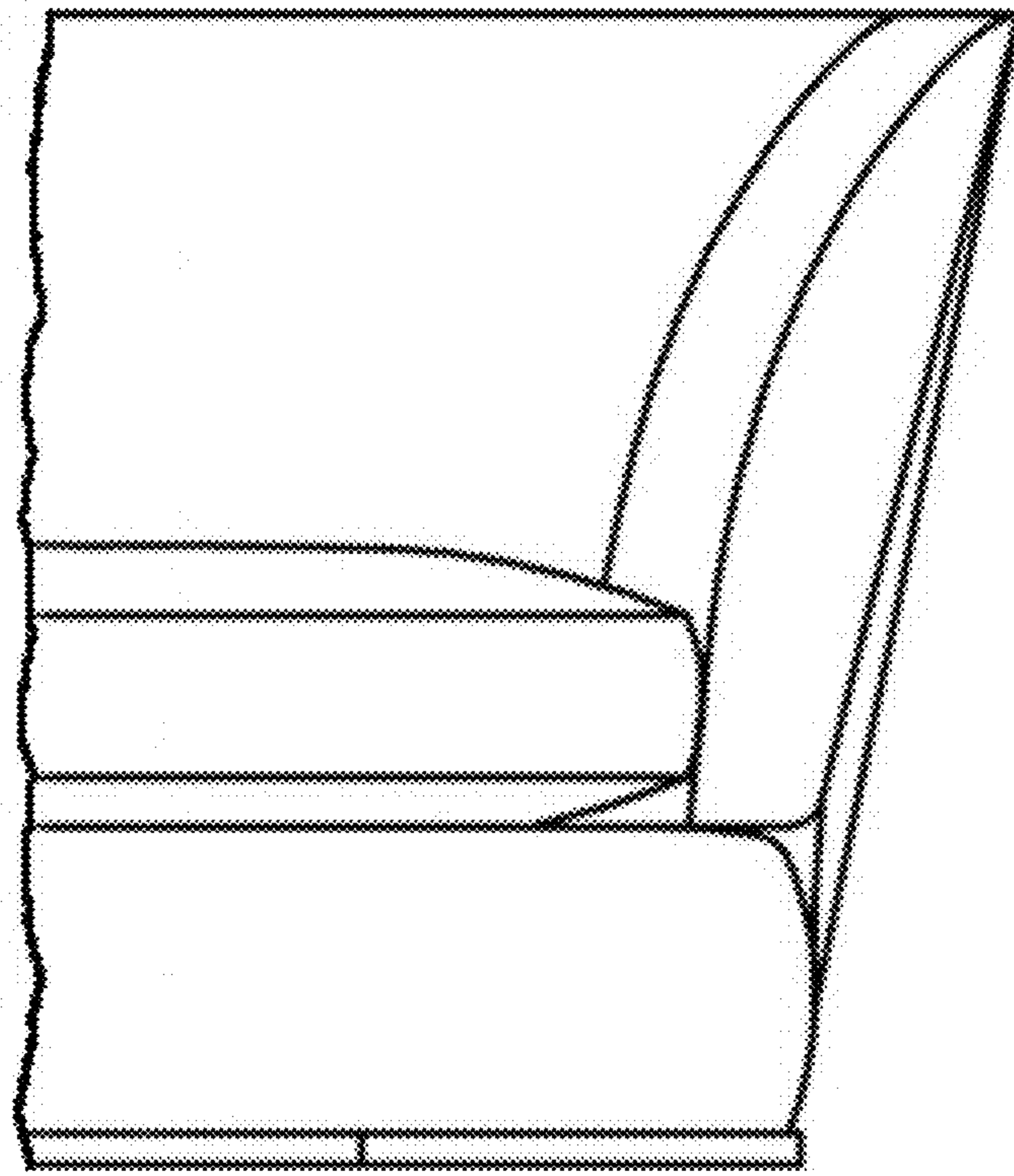


FIG. 8

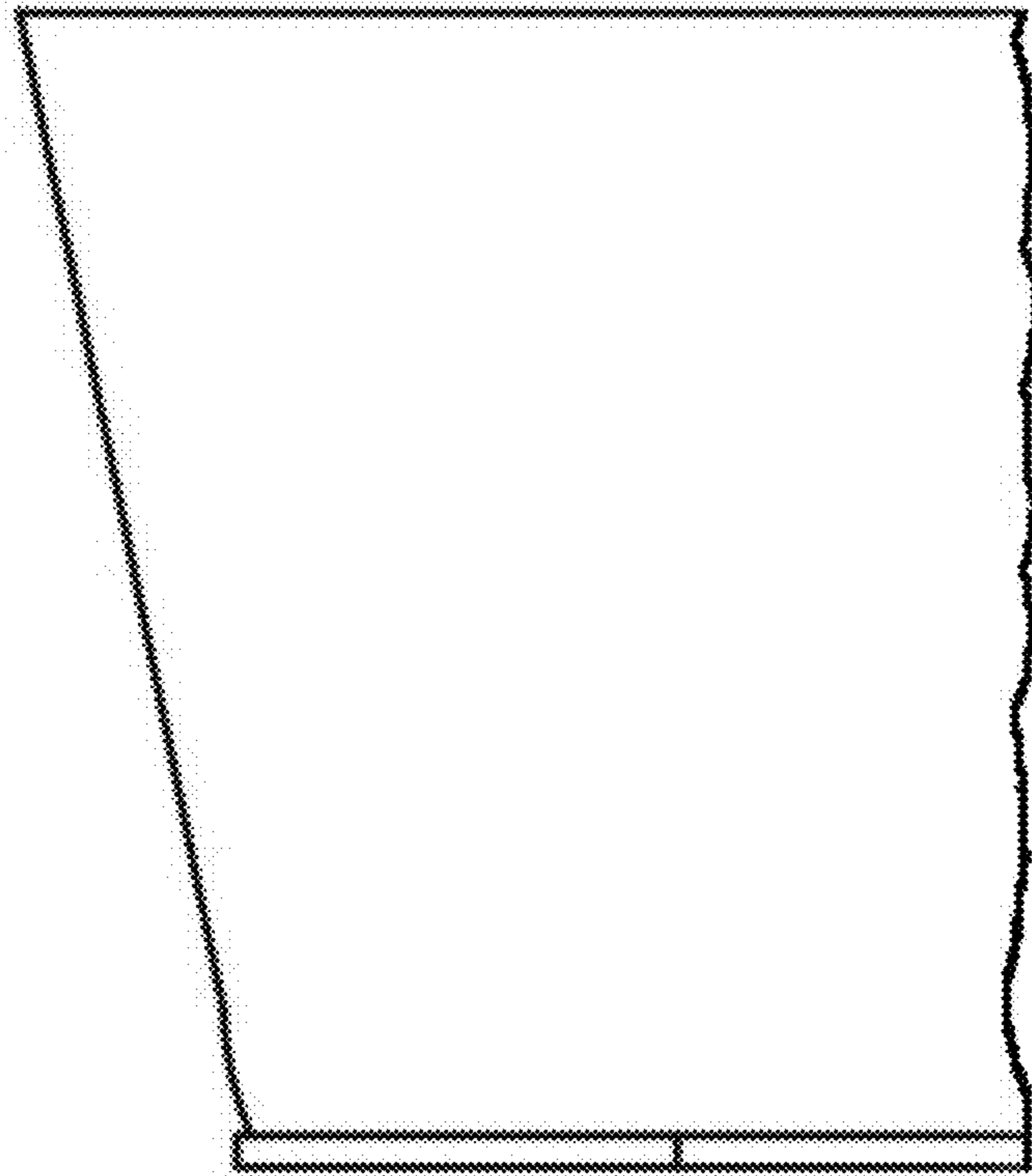


FIG. 9

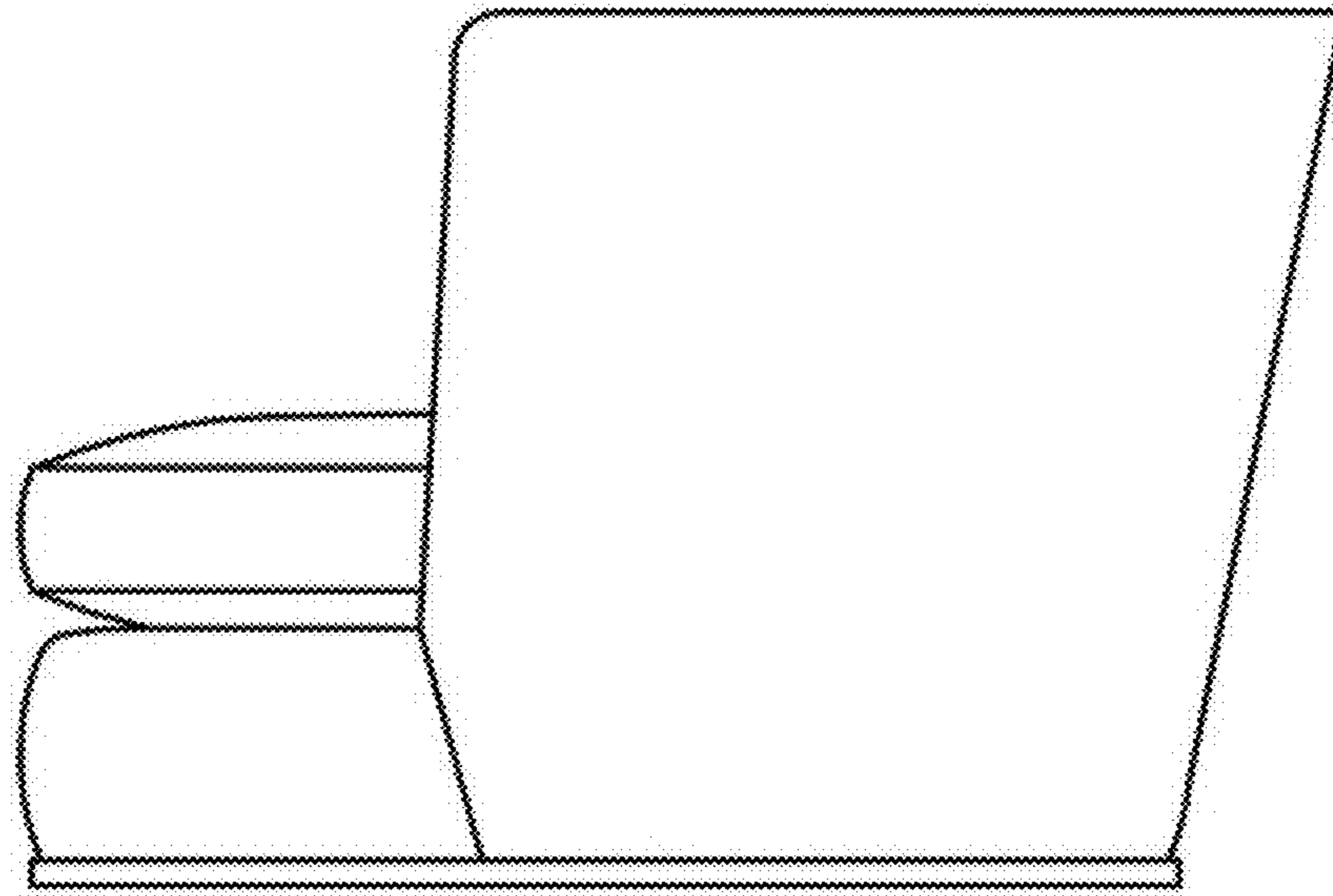


FIG. 10

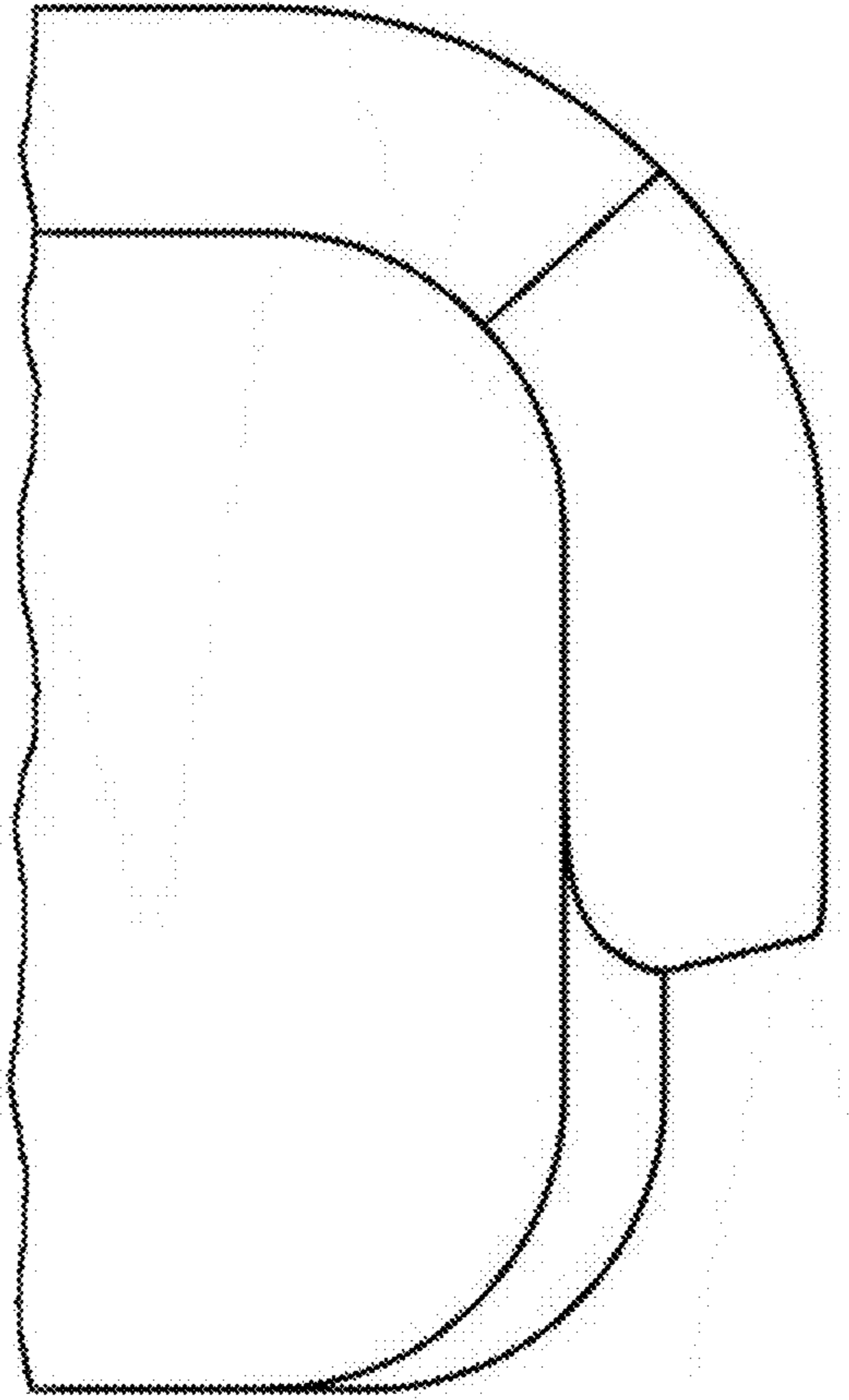


FIG. 11

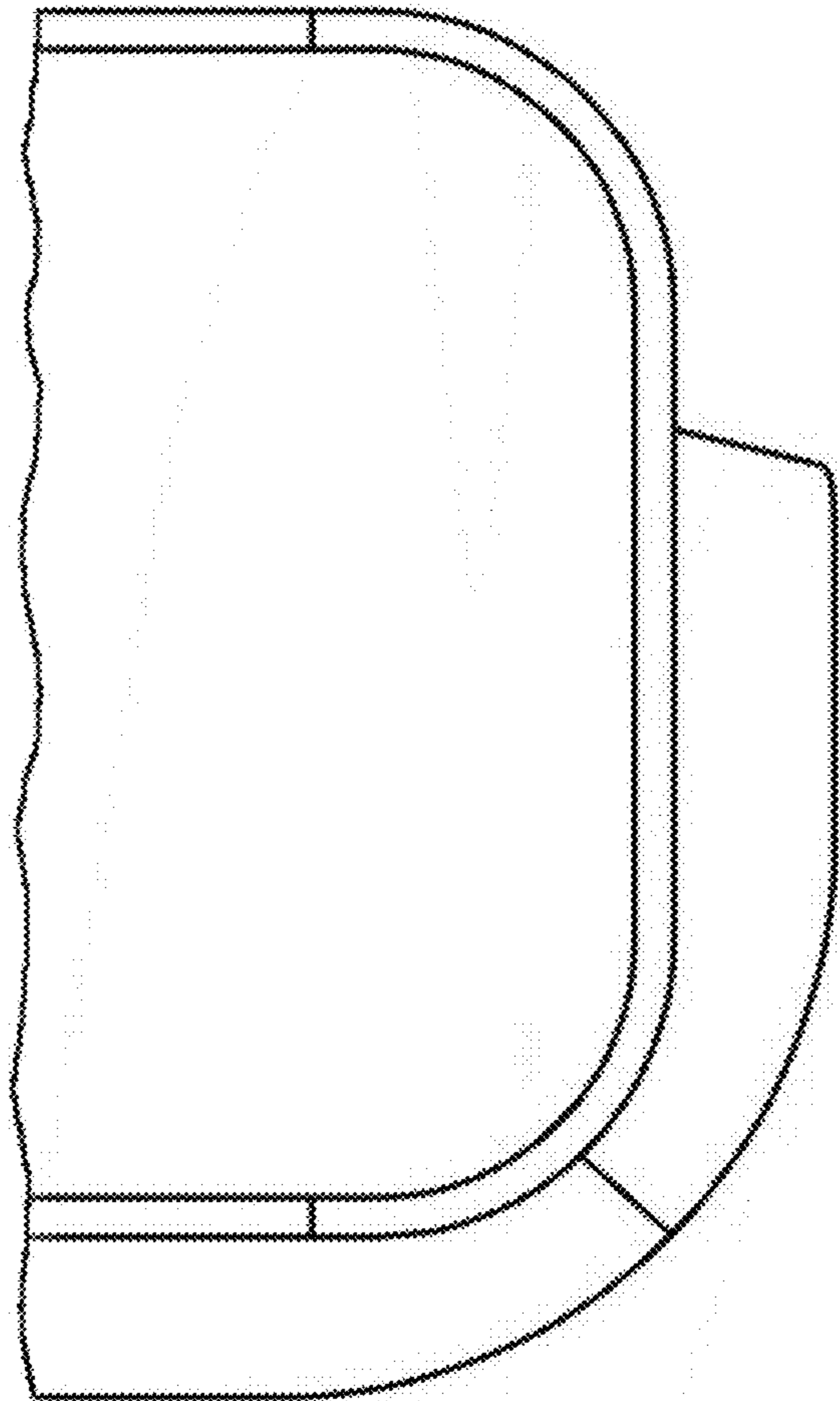


FIG. 12