



US00D946955S

(12) **United States Design Patent** (10) **Patent No.:** **US D946,955 S**
Schmitz et al. (45) **Date of Patent:** **** Mar. 29, 2022**

(54) **CHAIR**
(71) Applicant: **HERMAN MILLER, INC.**, Zeeland, MI (US)
(72) Inventors: **Johann Burkhard Schmitz**, Berlin (DE); **Carola Zwick**, Berlin (DE); **Roland Zwick**, Berlin (DE)
(73) Assignee: **MillerKnoll, Inc.**, Zeeland, MI (US)

D558,994 S 1/2008 Machael et al.
D591,986 S * 5/2009 Schmitz D6/716
D597,329 S 8/2009 Tanaka et al.
D613,085 S 4/2010 Fujita
D628,831 S 12/2010 Schmitz et al.
D645,683 S 9/2011 Chen
D647,716 S 11/2011 Lu
D651,426 S 1/2012 Chiaramonte et al.
(Continued)

(**) Term: **15 Years**
(21) Appl. No.: **29/810,730**
(22) Filed: **Oct. 7, 2021**

FOREIGN PATENT DOCUMENTS
WO WO-2020086314 A1 * 4/2020 A47C 7/40

Related U.S. Application Data
(60) Continuation of application No. 29/718,133, filed on Dec. 20, 2019, which is a division of application No. 29/702,936, filed on Aug. 22, 2019, now Pat. No. Des. 874,202, which is a division of application No. 29/622,867, filed on Oct. 20, 2017, now Pat. No. Des. 874,860.
(51) **LOC (13) Cl.** **06-04**
(52) **U.S. Cl.**
USPC **D6/716.4**; D6/366
(58) **Field of Classification Search**
USPC D6/334-336, 364, 365, 366, 367, 374, D6/375, 376, 379, 716, 716.1, 716.2, D6/716.3, 716.4
CPC A47C 7/002; A47C 7/004; A47C 7/02; A47C 7/282; A47C 7/285; A47C 7/40; A47C 7/44; A47C 7/46
See application file for complete search history.

OTHER PUBLICATIONS
Cosm Chairs, from hermanmiller.com, Date First Avialable: Aug. 9, 2021 from Wayback Machine, pp. 2 and 6, from https://web.archive.org/web/20210809204027/https://www.hermanmiller.com/en_mx/products/seating/office-chairs/cosm-chairs/ (Year: 2021).*
(Continued)

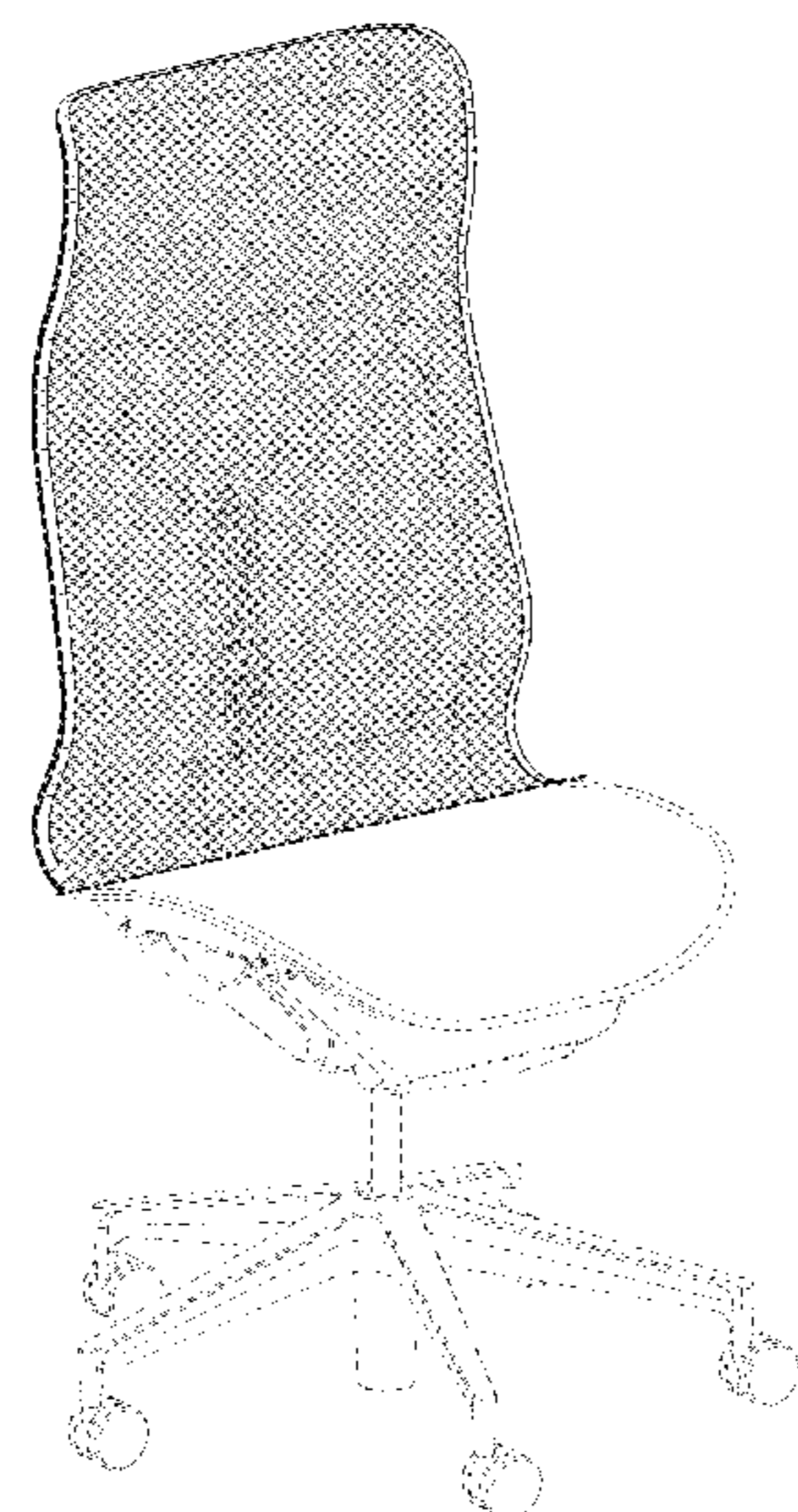
Primary Examiner — Mimosa De
(74) *Attorney, Agent, or Firm* — Michael Best & Friedrich LLP

(56) **References Cited**
U.S. PATENT DOCUMENTS
D351,510 S * 10/1994 Lucci D6/375
D373,274 S 9/1996 James
D541,063 S 4/2007 Su

(57) **CLAIM**
We claim the ornamental design for a chair, as shown and described.

DESCRIPTION
FIG. 1 is a perspective view of a chair.
FIG. 2 is a first side view of the chair of FIG. 1.
FIG. 3 is a second side view of the chair of FIG. 1.
FIG. 4 is a front view of the chair of FIG. 1.
FIG. 5 is a rear view of the chair of FIG. 1; and,
FIG. 6 is a top view of the chair of FIG. 1.
Portions of the chair shown in evenly-spaced broken lines are for illustrative purposes only and form no part of the claimed design. The dash-dot broken line represents a boundary and does not form part of the claimed design.

1 Claim, 6 Drawing Sheets



(56)

References Cited

U.S. PATENT DOCUMENTS

D654,709 S	2/2012	Fujita	
D661,117 S	6/2012	Tanaka et al.	
D673,400 S	1/2013	Chen	
D675,463 S	2/2013	Collinson et al.	
D683,551 S	6/2013	Wu	
D687,239 S	8/2013	Piretti	
D698,192 S	1/2014	Giugiaro	
D706,566 S	6/2014	Giugiaro	
D707,460 S	6/2014	Giugiaro	
D707,995 S	7/2014	McEneany et al.	
D708,879 S	7/2014	Tsai	
D709,721 S	7/2014	Giugiaro	
D771,964 S	11/2016	Chen	
D777,494 S	1/2017	Prestwich	
D782,238 S	3/2017	Jun	
D824,711 S	8/2018	Brooks	
D844,358 S	4/2019	Chadwick et al.	
D845,692 S	4/2019	Chadwick et al.	
D848,169 S	5/2019	Wu	
D874,202 S	2/2020	Schmitz et al.	
D874,860 S	2/2020	Schmitz et al.	
D887,158 S	6/2020	Schmitz et al.	
D925,956 S *	7/2021	Lampela	D6/716
2016/0360891 A1 *	12/2016	Piretti	A47C 7/44

OTHER PUBLICATIONS

By Alberta Meda 2012, Vitra, Physix, website:<https://www.vitra.com/en-us/office/product/details/physix>, (6 Pages).

Laura Furniture, "Empire" <https://www.lauradavidsondirect.com/collections/empire>, webpage accessed Sep. 3, 2021 (3 Pages).

* cited by examiner

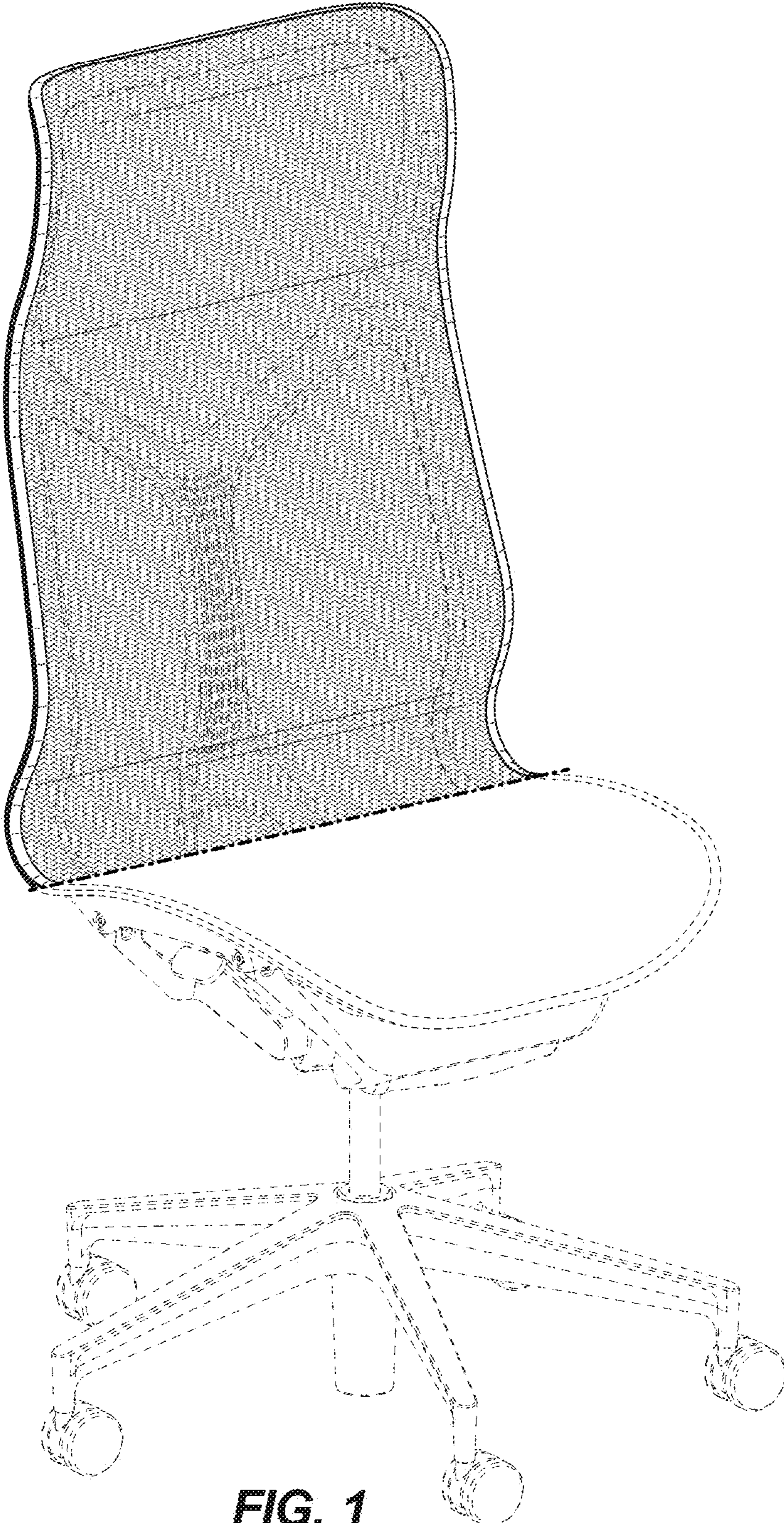


FIG. 1

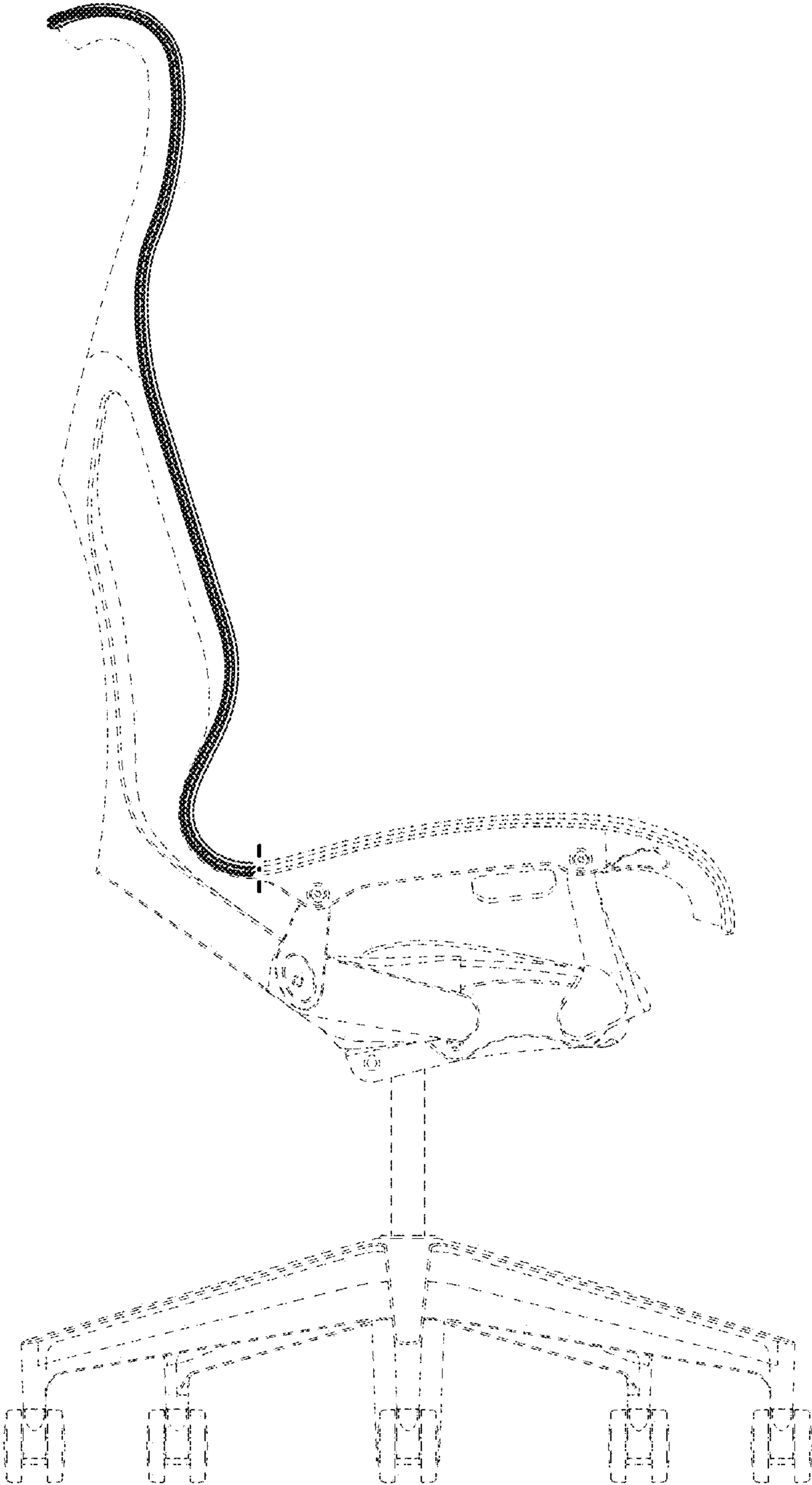


FIG. 2

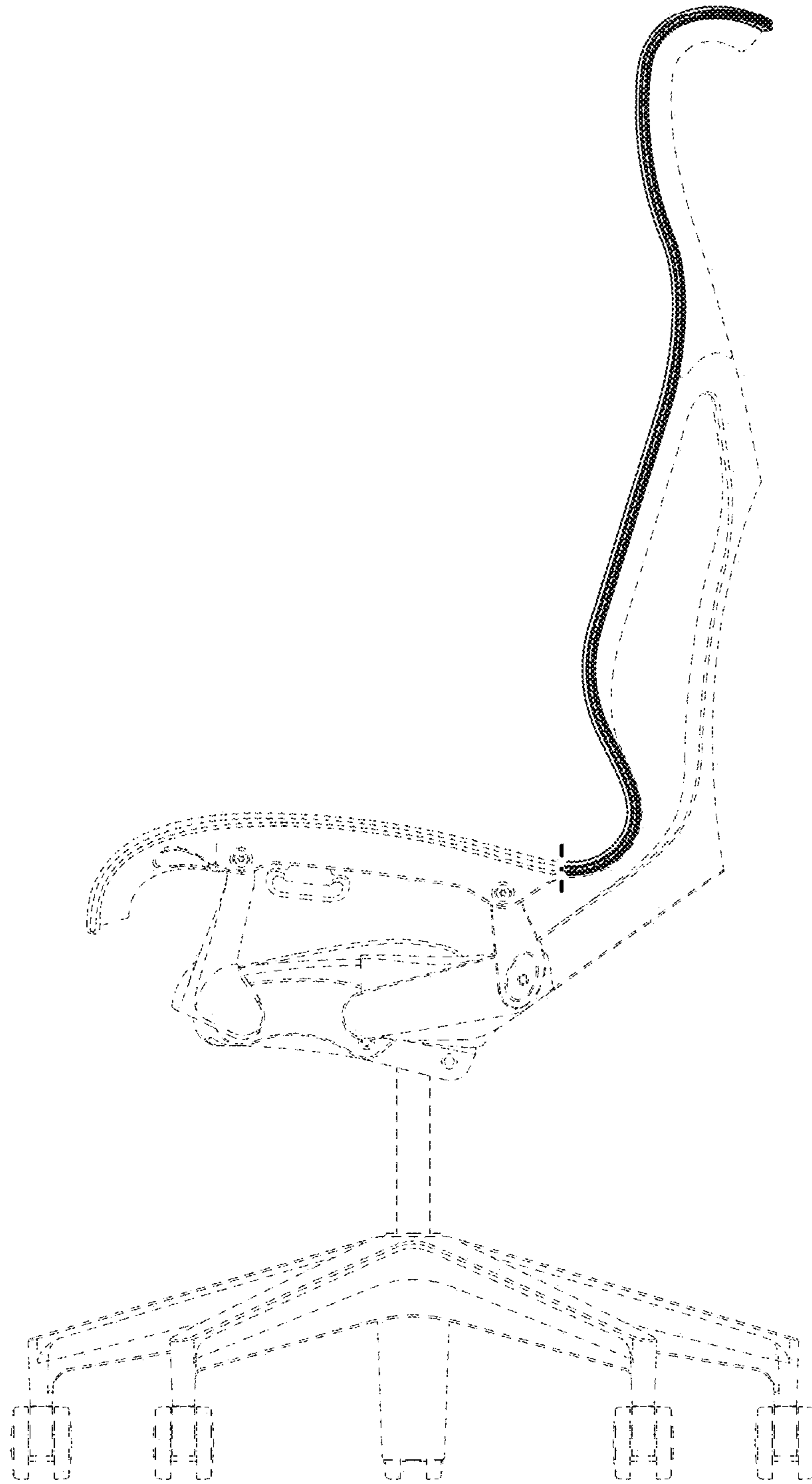


FIG. 3

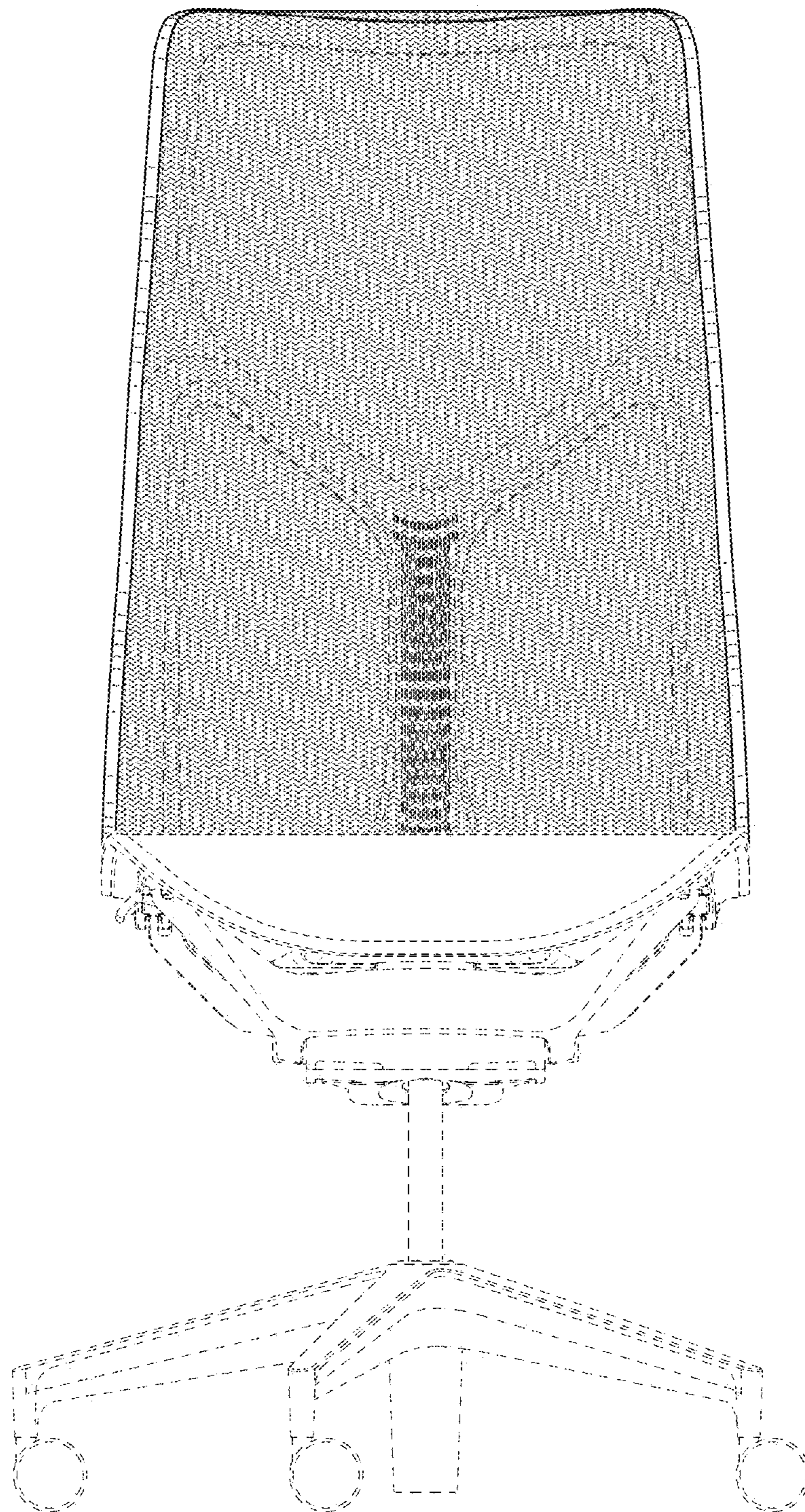


FIG. 4

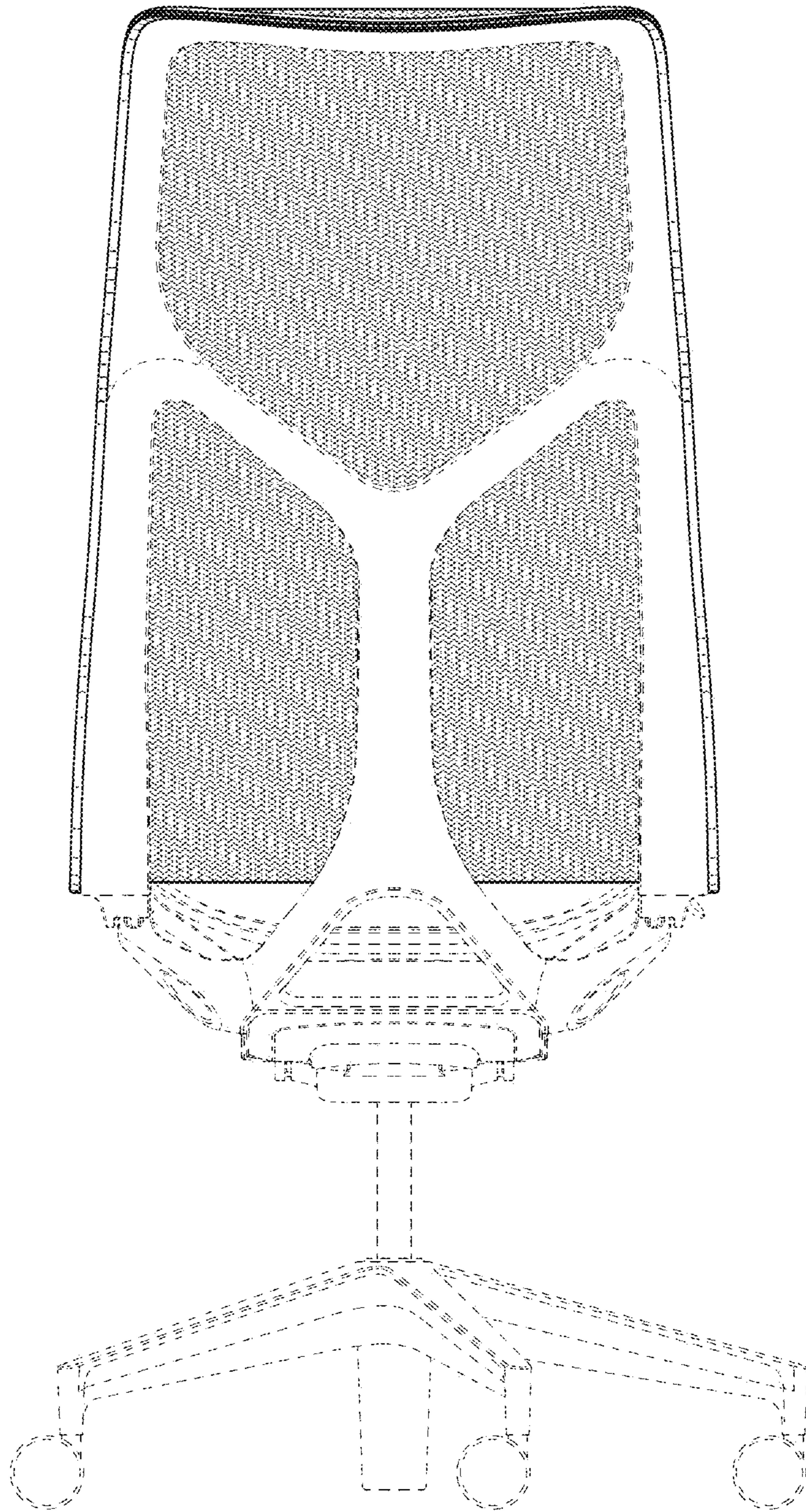


FIG. 5

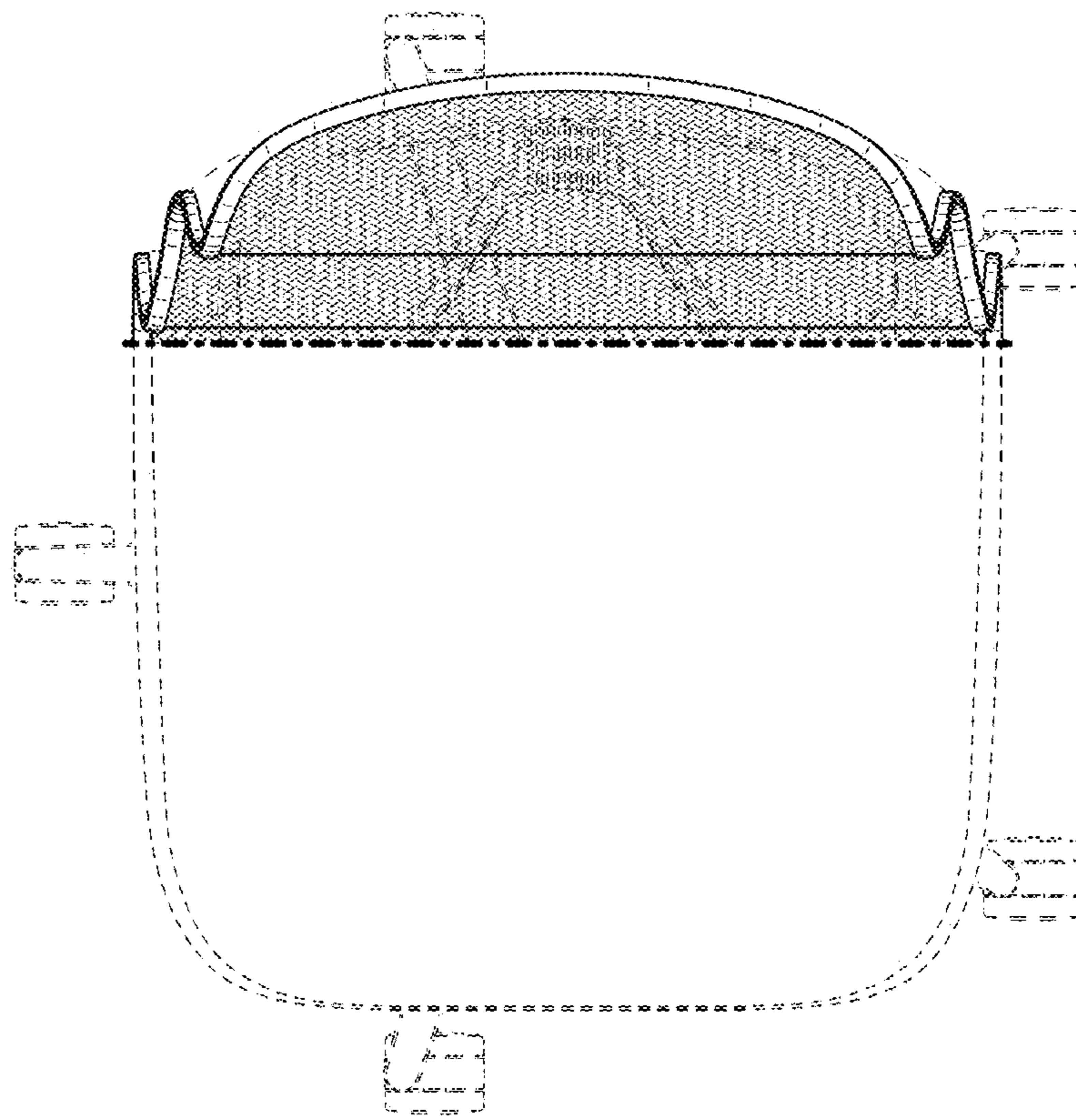


FIG. 6