



US00D946952S

(12) **United States Design Patent** (10) **Patent No.:** **US D946,952 S**  
**Velez** (45) **Date of Patent:** **\*\* Mar. 29, 2022**

(54) **TABLE**  
(71) Applicant: **HOLLY HUNT ENTERPRISES, INC.**, Chicago, IL (US)  
(72) Inventor: **Alberto Velez**, Chicago, IL (US)  
(73) Assignee: **HOLLY HUNT ENTERPRISES, INC.**  
(\*\*) Term: **15 Years**  
(21) Appl. No.: **29/710,345**  
(22) Filed: **Oct. 22, 2019**  
(51) **LOC (13) Cl.** ..... **06-06**  
(52) **U.S. Cl.**  
USPC ..... **D6/708.17**  
(58) **Field of Classification Search**  
USPC ... D6/349, 685, 686, 692, 692.1–692.6, 702, D6/708, 708.17, 709, 712  
CPC ..... A47B 7/00; A47B 13/00; A47B 13/003; A47B 13/02; A47B 13/023; A47B 13/04; A47B 13/06; A47B 13/08; A47B 17/00; A47B 21/00; A47B 13/12; A47B 2200/0001; A47B 2200/0011; A47B 2200/002  
See application file for complete search history.

(56) **References Cited**  
U.S. PATENT DOCUMENTS  
D274,578 S \* 7/1984 Berry, Jr. .... D6/692.3  
D280,580 S \* 9/1985 Appel ..... D6/692.1  
D357,160 S 4/1995 Fritze  
D431,132 S 9/2000 Lewis  
D501,742 S \* 2/2005 Collins, III ..... D6/692.3  
D721,526 S \* 1/2015 Bosman ..... D6/692.3  
D759,408 S 6/2016 Denby et al.  
D776,963 S 1/2017 Baylar

D793,130 S 8/2017 Ellison et al.  
D829,014 S \* 9/2018 Handler ..... D6/352  
D833,190 S \* 11/2018 Handler ..... D6/692.3  
D833,191 S \* 11/2018 Handler ..... D6/692.3  
D862,140 S \* 10/2019 Smrstick ..... D6/692.3  
D865,387 S \* 11/2019 Handler ..... D6/352  
D917,941 S \* 5/2021 White ..... D6/692.3

**OTHER PUBLICATIONS**

Shifty Side Table—Holly Hunt <https://www.hollyhunt.com/product/shifty-side-table> retrieved from the internet on Jun. 22, 2021.\*  
Side Table Tivoli—Anne Hauck <https://annehauck.com/portfolio-item/contemporary-side-table-tivoli/> retrieved from the internet on Nov. 17, 2021.\*  
Holly Hunt website, <https://www.hollyhunt.com/ShowProduct.aspx?ProductID=11500&ManufacturerID=1>, retrieved Oct. 22, 2019, pp. 1.

(Continued)

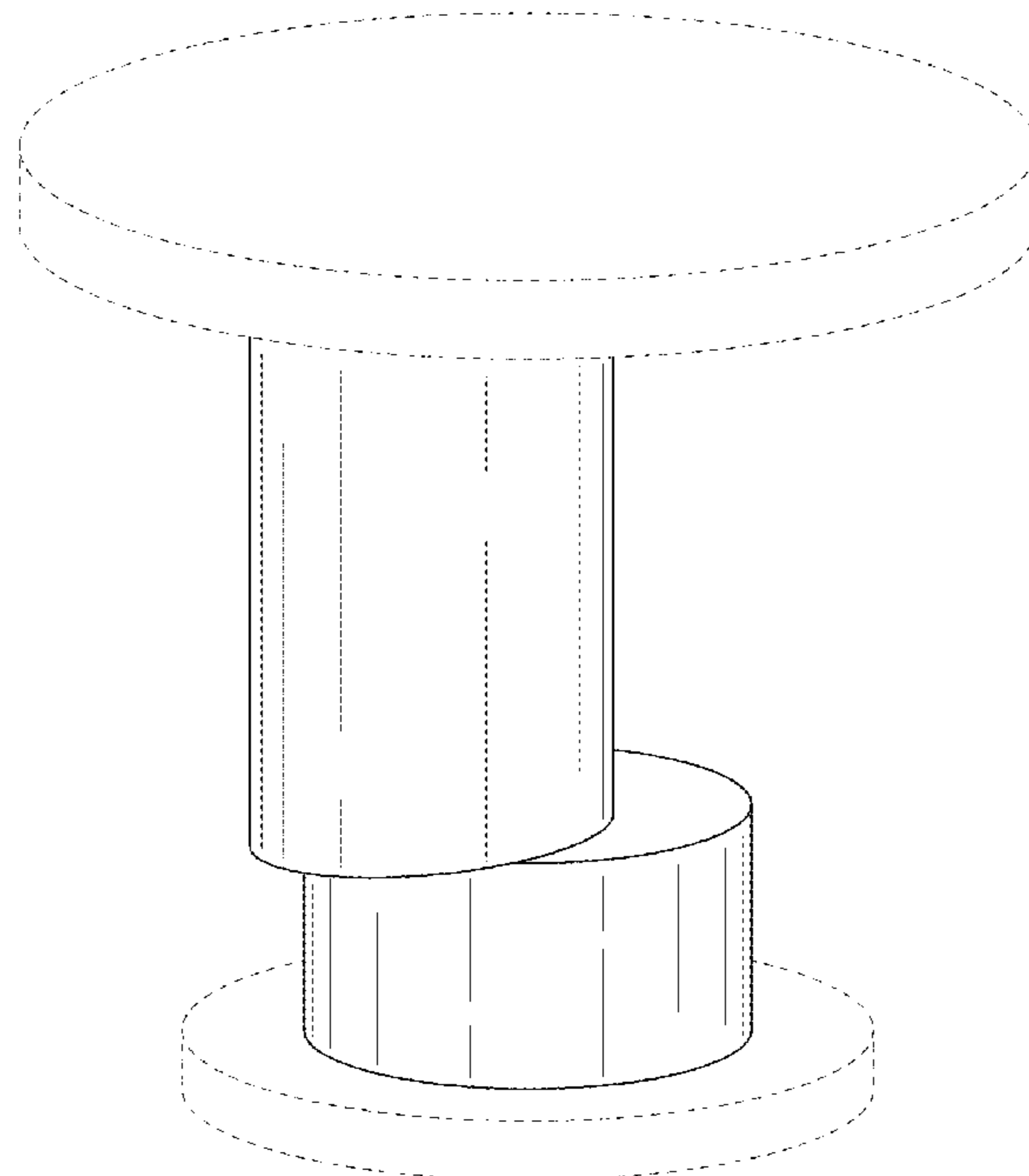
*Primary Examiner* — Mary Ann Calabrese  
(74) *Attorney, Agent, or Firm* — The Belles Group, P.C.

(57) **CLAIM**  
The ornamental design for a table, as shown and described.

**DESCRIPTION**

FIG. 1 is a front perspective view of a table according to my new design;  
FIG. 2 is a rear perspective view thereof;  
FIG. 3 is a front view thereof;  
FIG. 4 is a rear view thereof;  
FIG. 5 is a right side view thereof;  
FIG. 6 is a left side view thereof;  
FIG. 7 is a top view thereof; and,  
FIG. 8 is a bottom view thereof.  
The broken lines illustrate portions of the table that form no part of the claimed design.

**1 Claim, 8 Drawing Sheets**



(56)

**References Cited**

OTHER PUBLICATIONS

Holly Hunt website, <https://www.hollyhunt.com/ShowProduct.aspx?ProductID=11501&ManufacturerID=1>, retrieved Oct. 22, 2019, pp. 1.

Holly Hunt website, <https://www.hollyhunt.com/ShowProduct.aspx?ProductID=10682&ManufacturerID=1>, retrieved Oct. 22, 2019, pp. 1.

Holly Hunt website, <https://www.hollyhunt.com/ShowProduct.aspx?ProductID=4751&ManufacturerID=1>, retrieved Oct. 22, 2019, pp. 1.

A+R Store website, <https://aplusrstore.com/products/resident-offset-stool-side-table>, retrieved Oct. 22, 2019, pp. 1-3.

Houzz website, <https://www.houzz.com/products/445-w-console-table-modern-contemporary-asymmetric-design-black-metal-prvw-vr~144334415>, retrieved Oct. 22, 2019, pp. 1.

Amazon website, <https://www.amazon.com/Design-Toscana-Stacked-Volumes-Polyresin/dp/B003M0DWS2>, retrieved Oct. 22, 2019, pp. 1-9.

Subastra Inc website, <https://www.subastralinc.com/store-fixtures/3-tier-display-tables.html?limit=all>, retrieved Oct. 22, 2019, pp. 1-3.

Mix Design Mix Gallery website, Stacked River Rock Side Table, <https://www.mixfurniture.com/furniture/stacked-river-rock-side-table>, retrieved Oct. 22, 2019, pp. 1-2.

\* cited by examiner

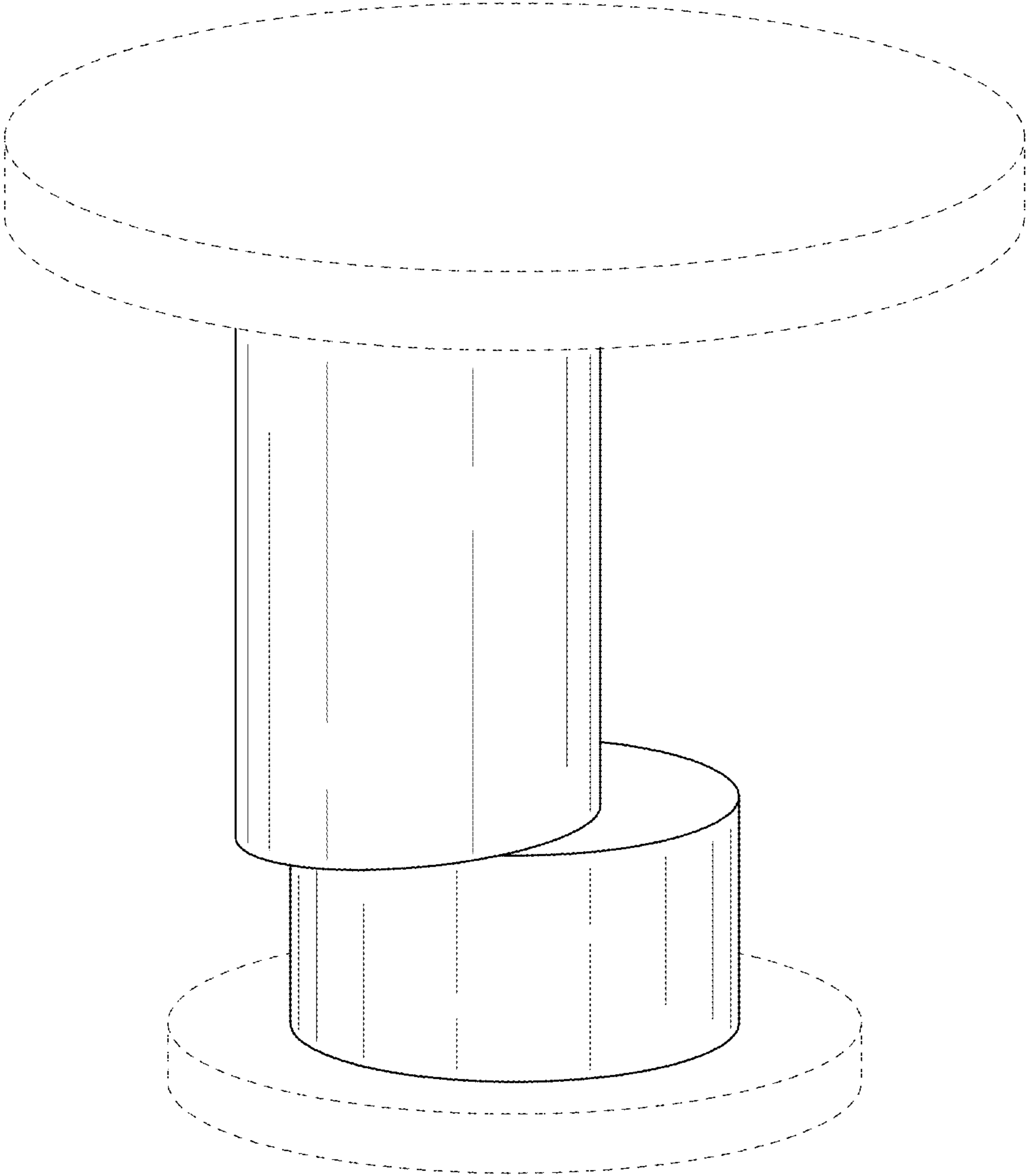


FIG. 1

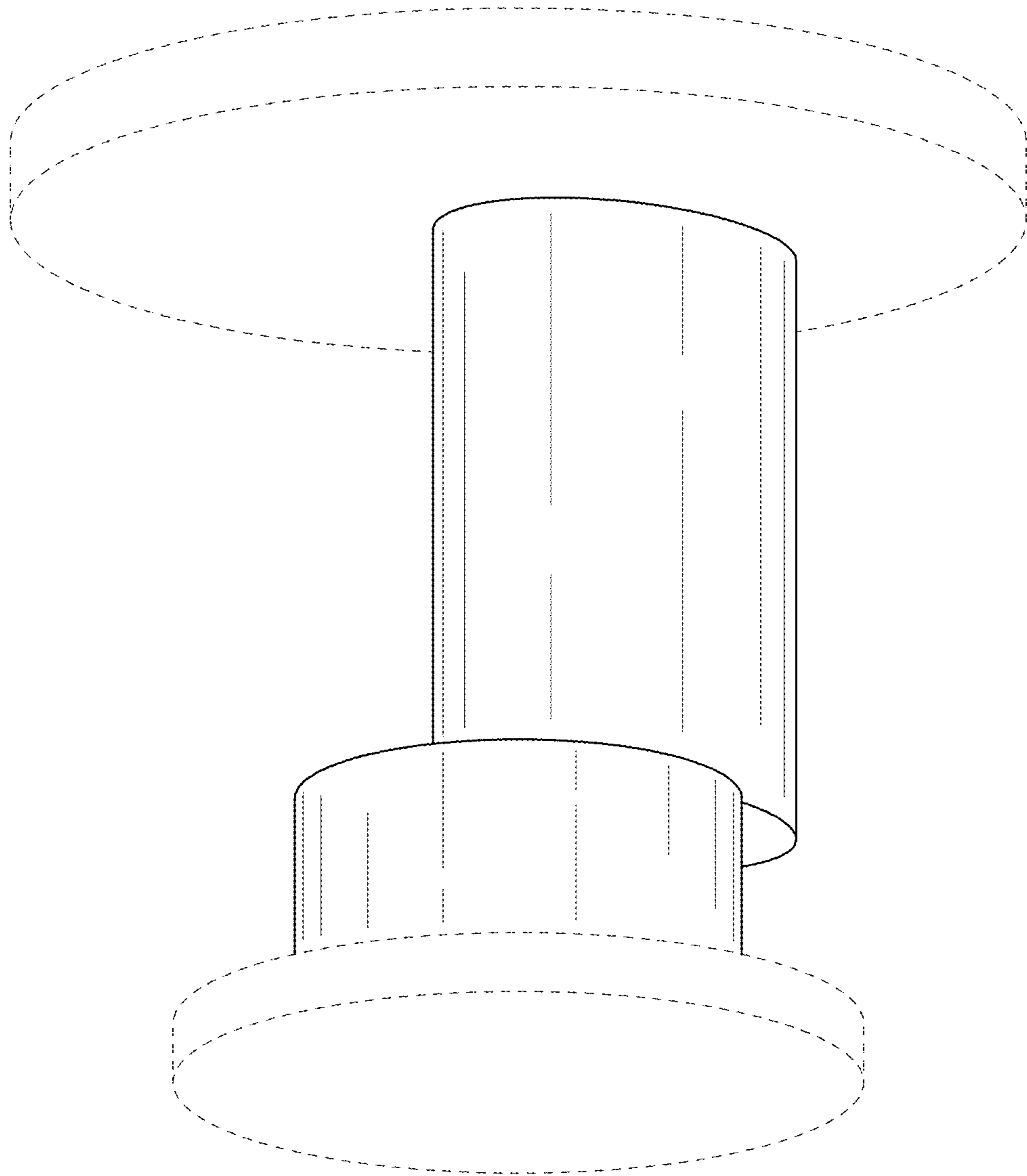


FIG. 2

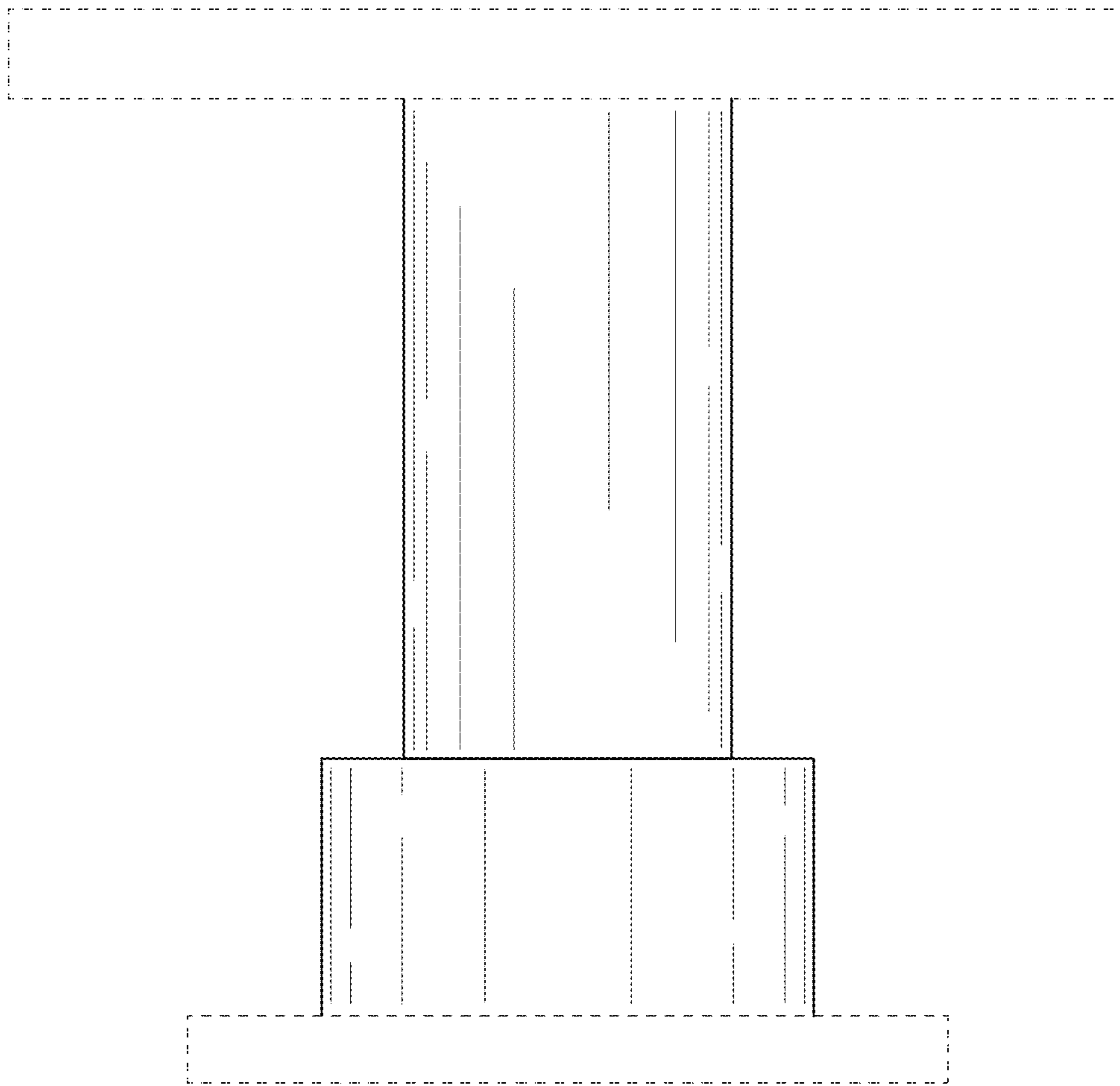


FIG. 3

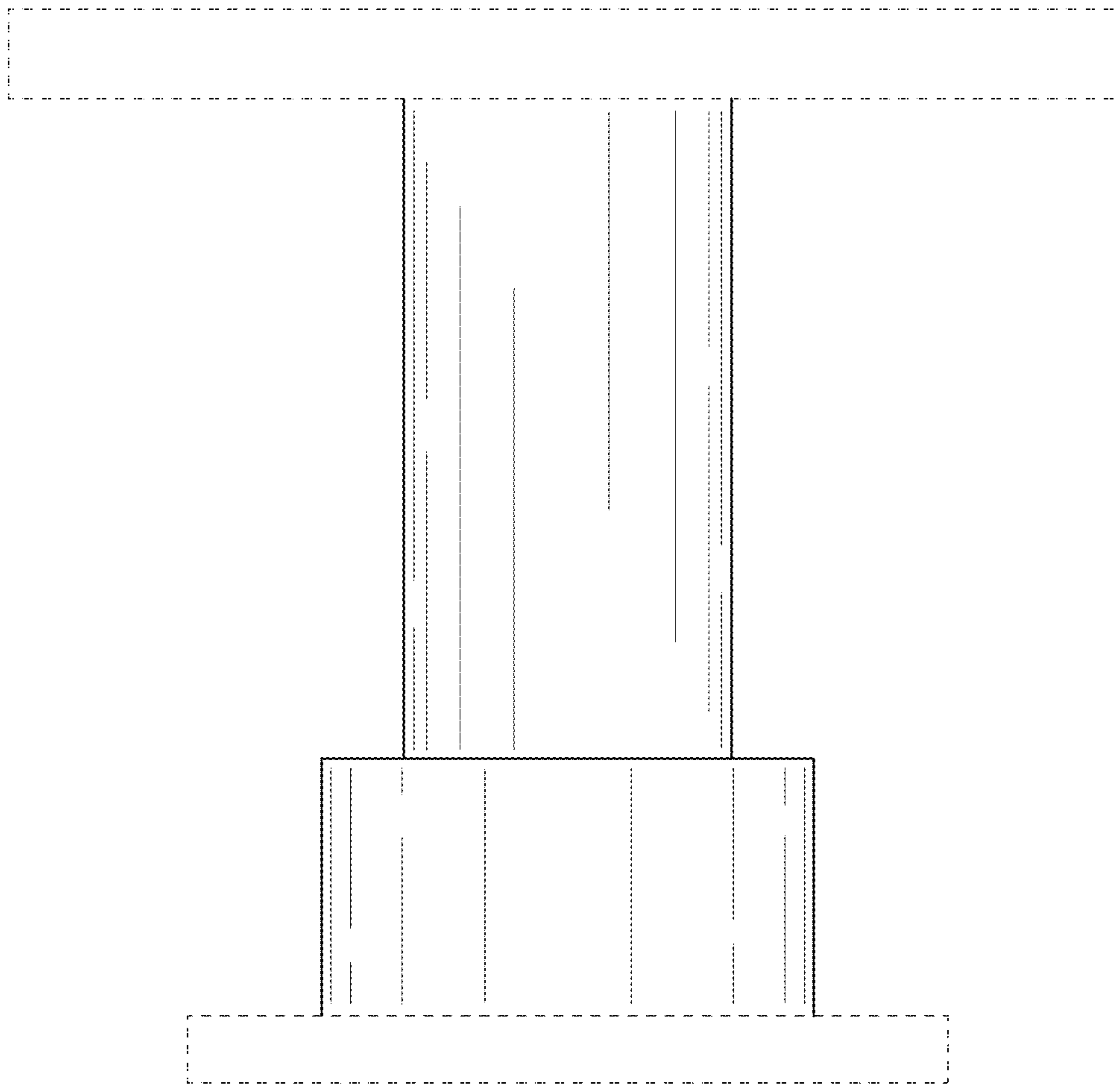


FIG. 4

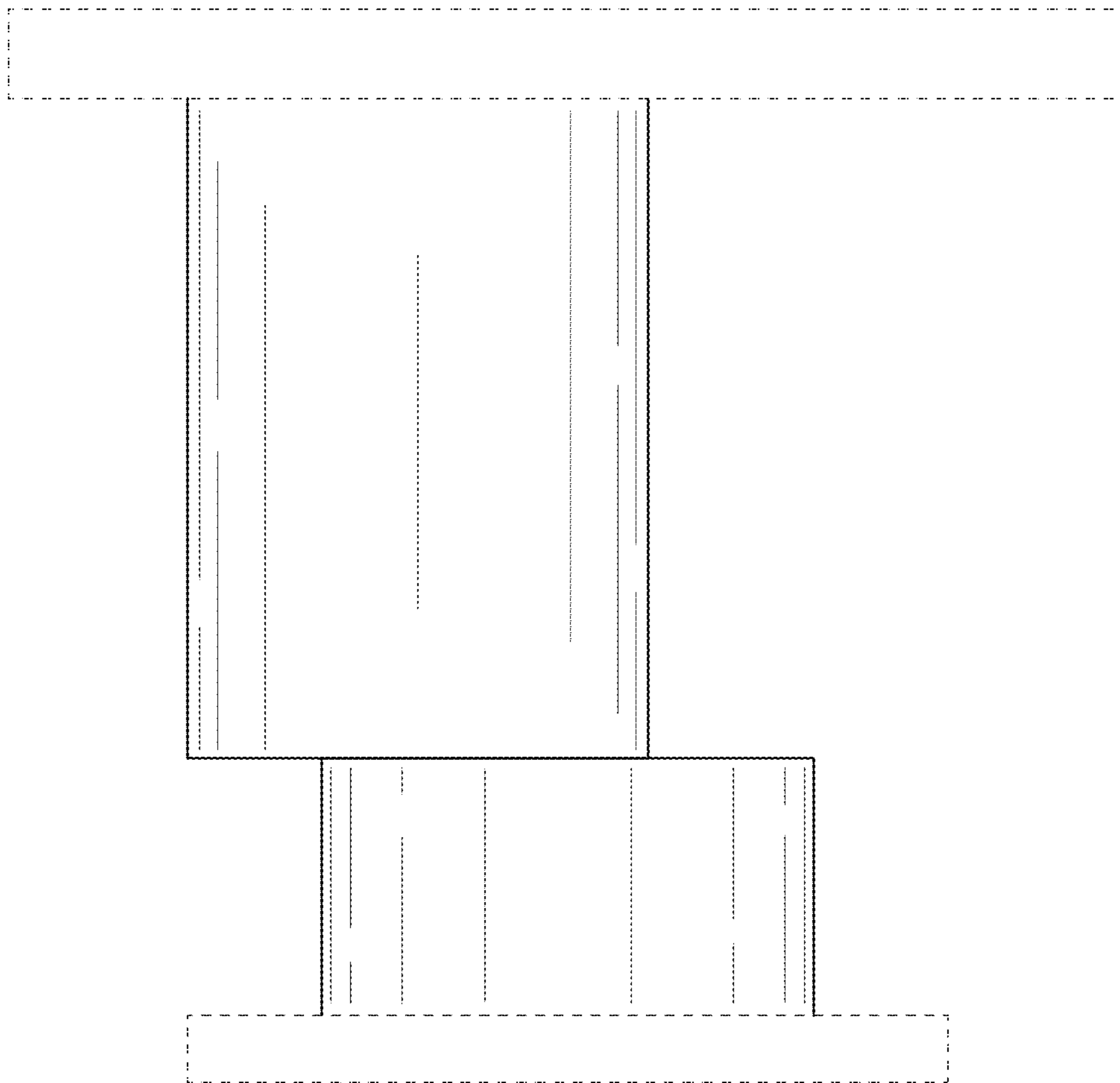


FIG. 5

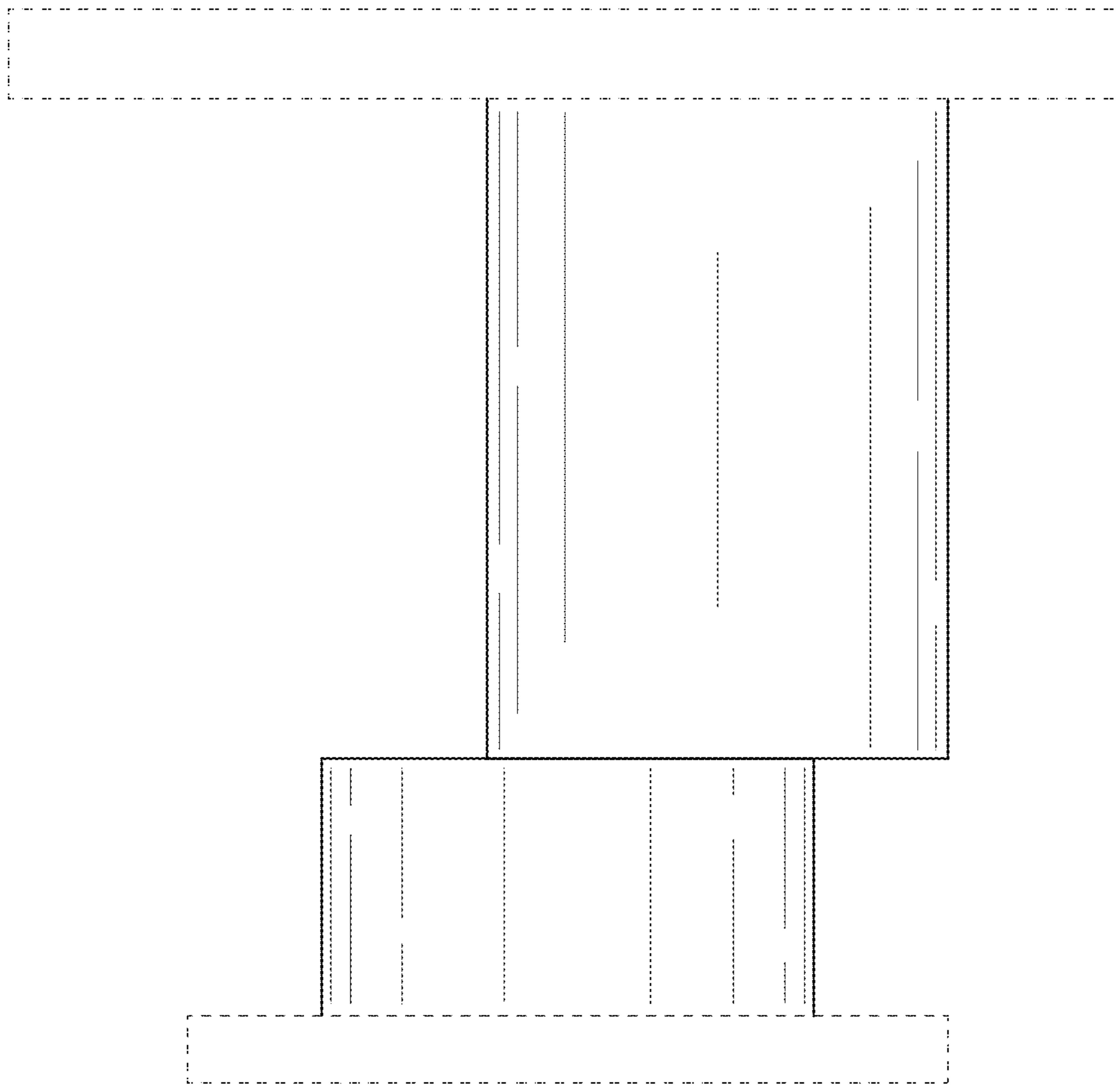
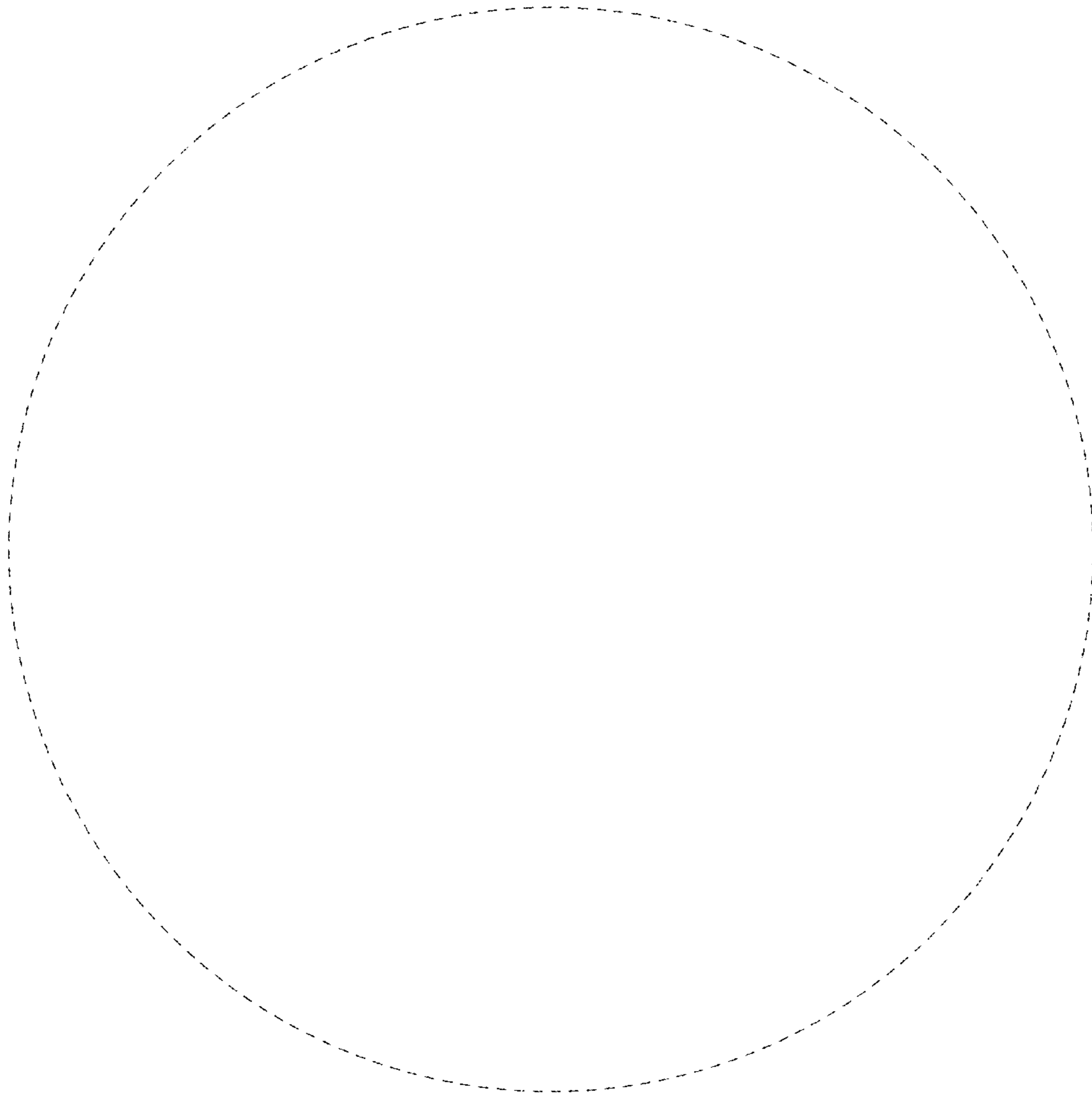


FIG. 6





**FIG. 7**

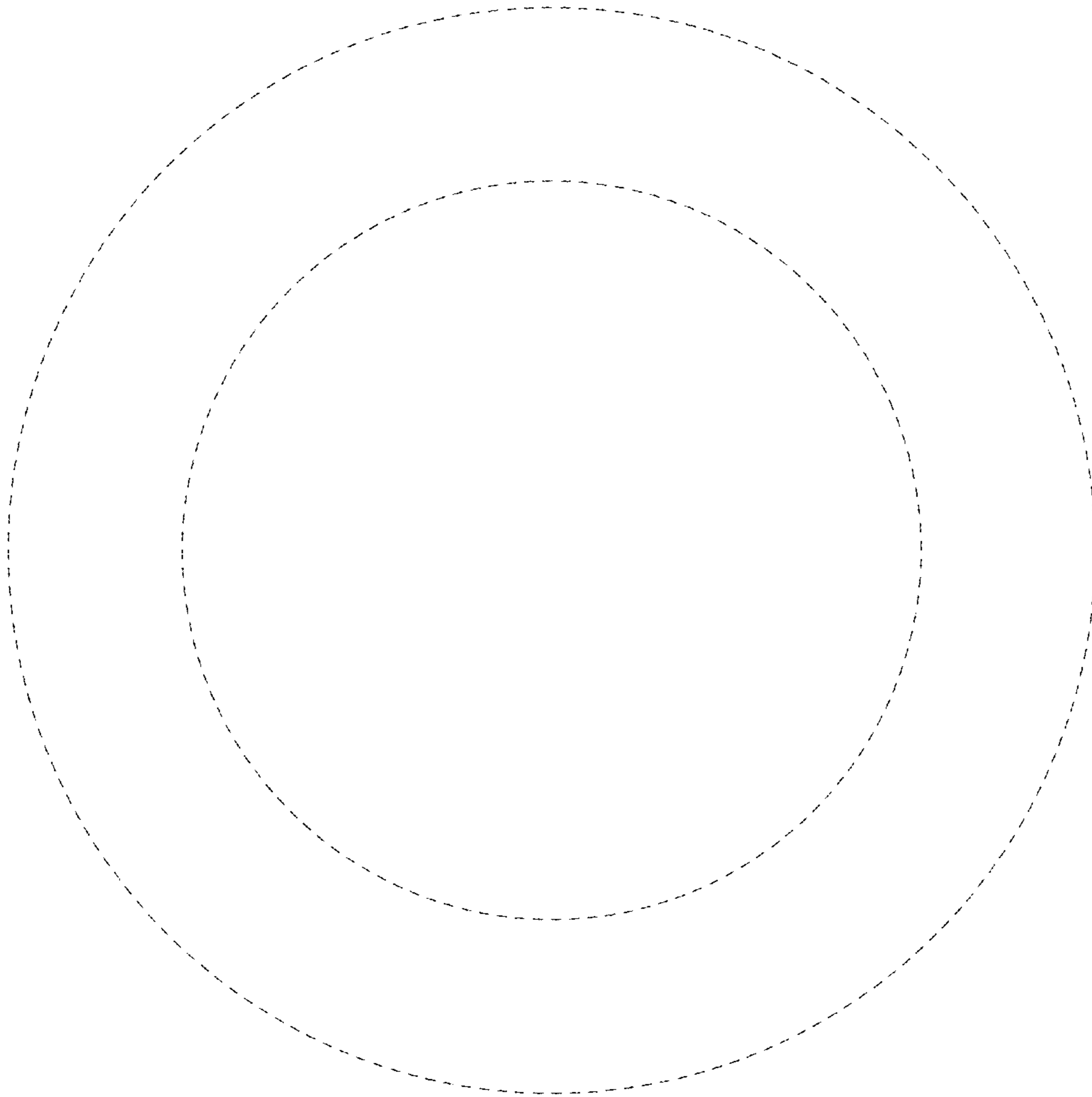


FIG. 8